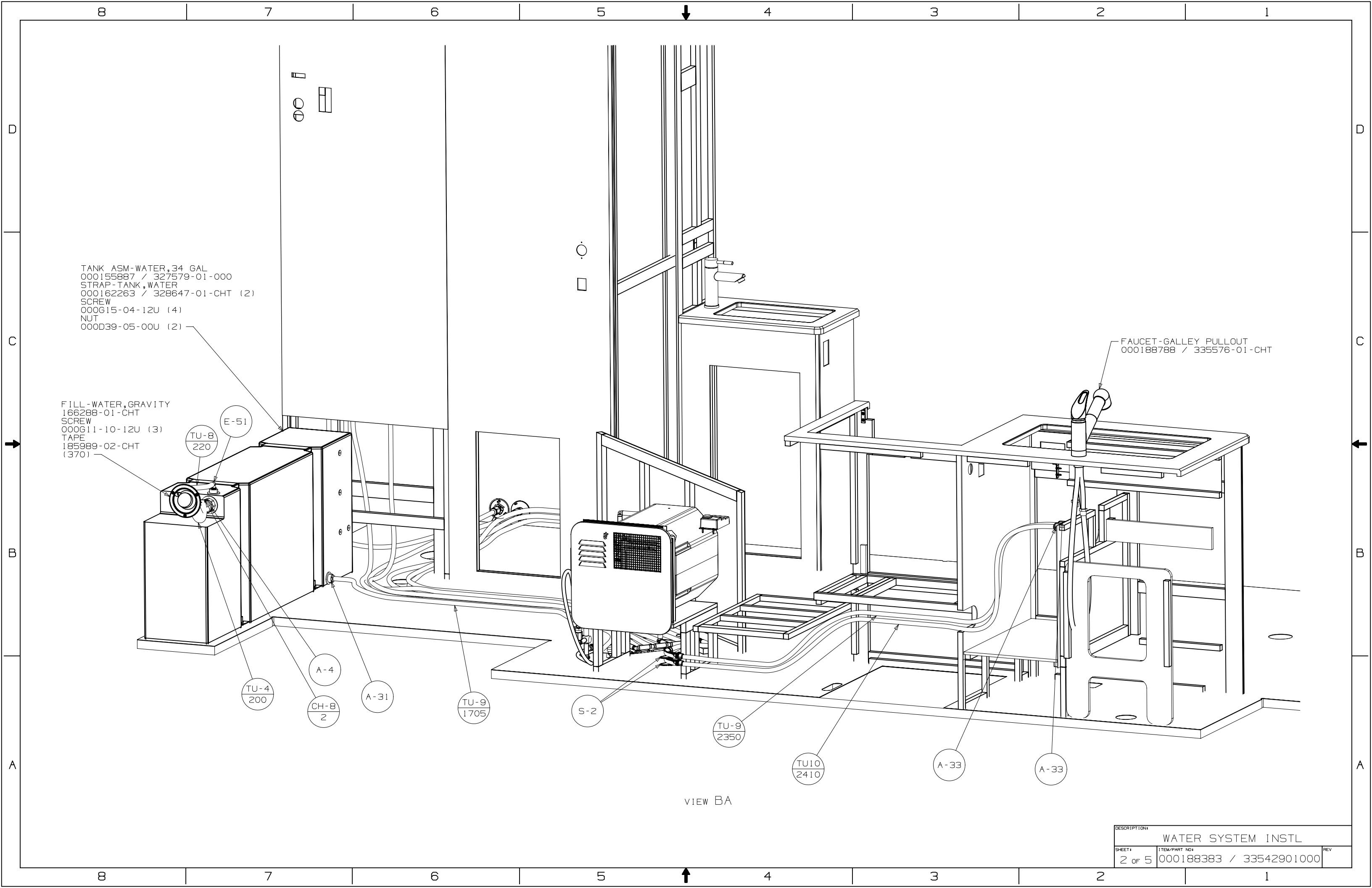


- 9. ALL CRIMP FITTINGS TO 3/4" PEX TUBING REQUIRE 3/4" CLAMP 000156247 / 326668-01-000.
- 8. ALL CRIMP FITTINGS TO 1/2" PEX TUBING REQUIRE 1/2" CLAMP 000156249 / 326670-01-000.
- 7. ALL CRIMP FITTINGS TO 5/8" FLEX TUBING REQUIRE 5/8" CLAMP 000156248 / 326669-01-000.
- 6. LABEL HOT AND COLD SUPPLY TUBES AND TAPE FITTING TO TUBE BEFORE CABINET SET TO PREVENT MOVEMENT.
- 5. ADD PIPE WRAP (LADDER SCRAP 110157-02-000) INSULATION.
- 4. ADD TEFLON TAPE 010405-01-000.
- 3. ALL TUBING TO BE SECURED AT 1200 INTERVALS MAXIMUM WITH CLAMP 010495-01-000 AND SCREW 000667-10-12U OR EQUIVALENT.
- 2. TUBING TO BE INSTALLED WITH SUFFICIENT SLOPE TO PROVIDE DRAINAGE TO NEAREST VALVE.
- 1. PLASTIC FITTINGS TO BE SEALED WITH SEALANT 084456-01-000.

NOTES:

X-X
  
 FOR WATER CALLOUTS SEE DWG NO. 000209446 / 303369-01-000

<b>WINNEBAGO</b> COPYRIGHT 2017 WINNEBAGO INDUSTRIES, INC.			
DSNR:		ALL DIMENSIONS ARE IN MILLIMETERS	
Q/PT:			
UNSPECIFIED TOLERANCES:		MATERIAL:	
WHOLE DIM (X)	± 3	.....	
ONE-PLACE (X.X)	± 1.5	.....	
TWO-PLACE (X.XX)	± 0.50	.....	
ANGLE	± 1°	.....	
REFER TO ES0018 FOR FASTENER TIGHTENING GUIDELINES		WEIGHT (LBS)	FIRST USED (REF)
		0	20 C24F
DESCRIPTION: WATER SYSTEM INSTL			
SHEET:	ITEM/PART NO:	REV:	
1 OF 5	000188383 / 33542901000		



TANK ASM-WATER, 34 GAL  
 000155887 / 327579-01-000  
 STRAP-TANK, WATER  
 000162263 / 328647-01-CHT (2)  
 SCREW  
 000615-04-12U (4)  
 NUT  
 000D39-05-00U (2)

FILL-WATER, GRAVITY  
 166288-01-CHT  
 SCREW  
 000611-10-12U (3)  
 TAPE  
 185989-02-CHT  
 (370)

FAUCET-GALLEY PULLOUT  
 000188788 / 335576-01-CHT

TU-8  
 220

E-51

TU-4  
 200

A-4

CH-8  
 2

A-31

TU-9  
 1705

S-2

TU-9  
 2350

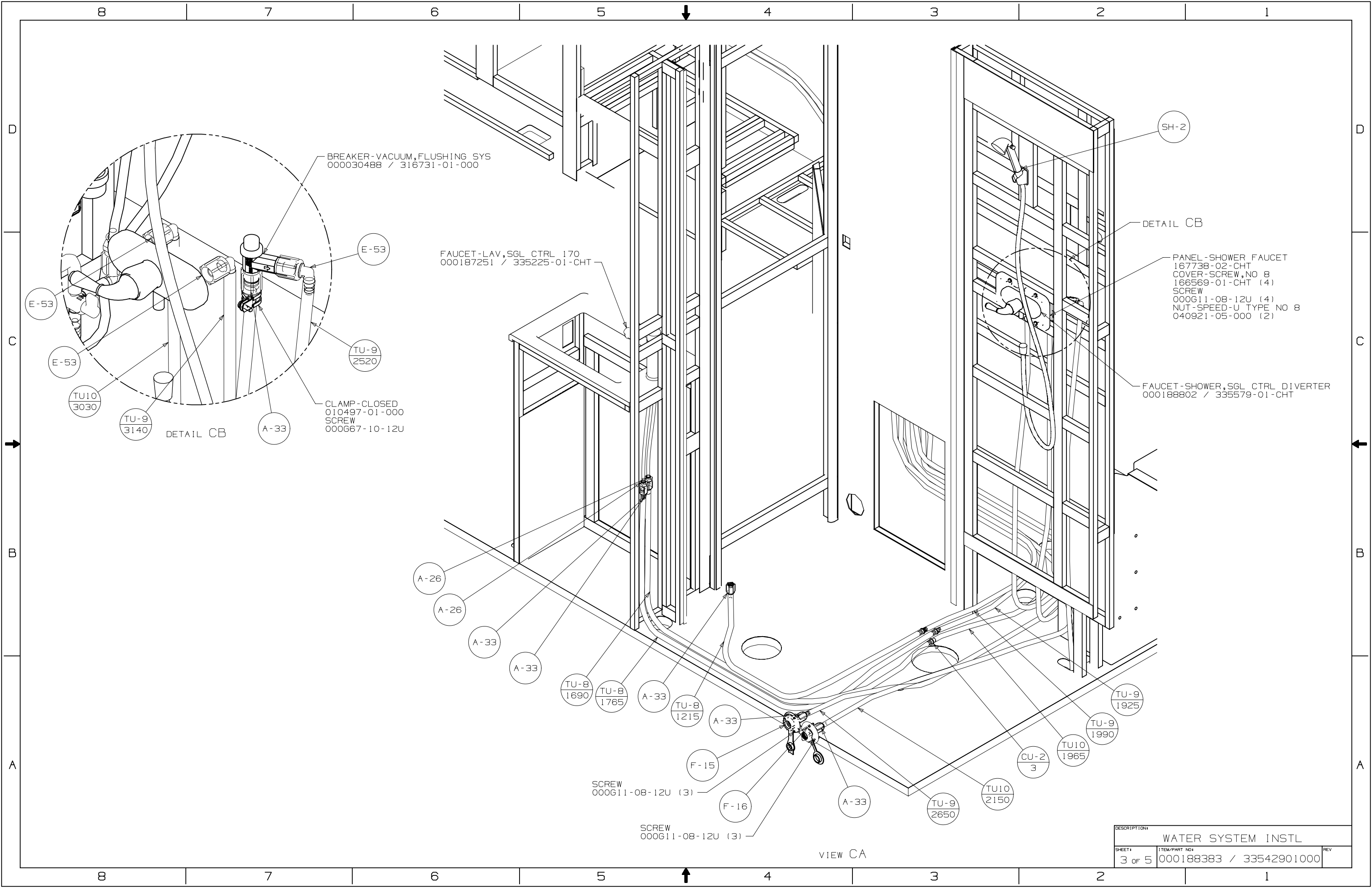
TU10  
 2410

A-33

A-33

VIEW BA

DESCRIPTION:		
WATER SYSTEM INSTL		
SHEET:	ITEM/PART NO:	REV
2 OF 5	000188383 / 33542901000	



BREAKER-VACUUM, FLUSHING SYS  
000030488 / 316731-01-000

FAUCET-LAV, SGL CTRL 170  
000187251 / 335225-01-CHT

PANEL-SHOWER FAUCET  
167738-02-CHT  
COVER-SCREW, NO 8  
166569-01-CHT (4)  
SCREW  
000611-08-12U (4)  
NUT-SPEED-U TYPE NO 8  
040921-05-000 (2)

FAUCET-SHOWER, SGL CTRL DIVERTER  
000188802 / 335579-01-CHT

CLAMP-CLOSED  
010497-01-000  
SCREW  
000667-10-12U

SCREW  
000611-08-12U (3)

SCREW  
000611-08-12U (3)

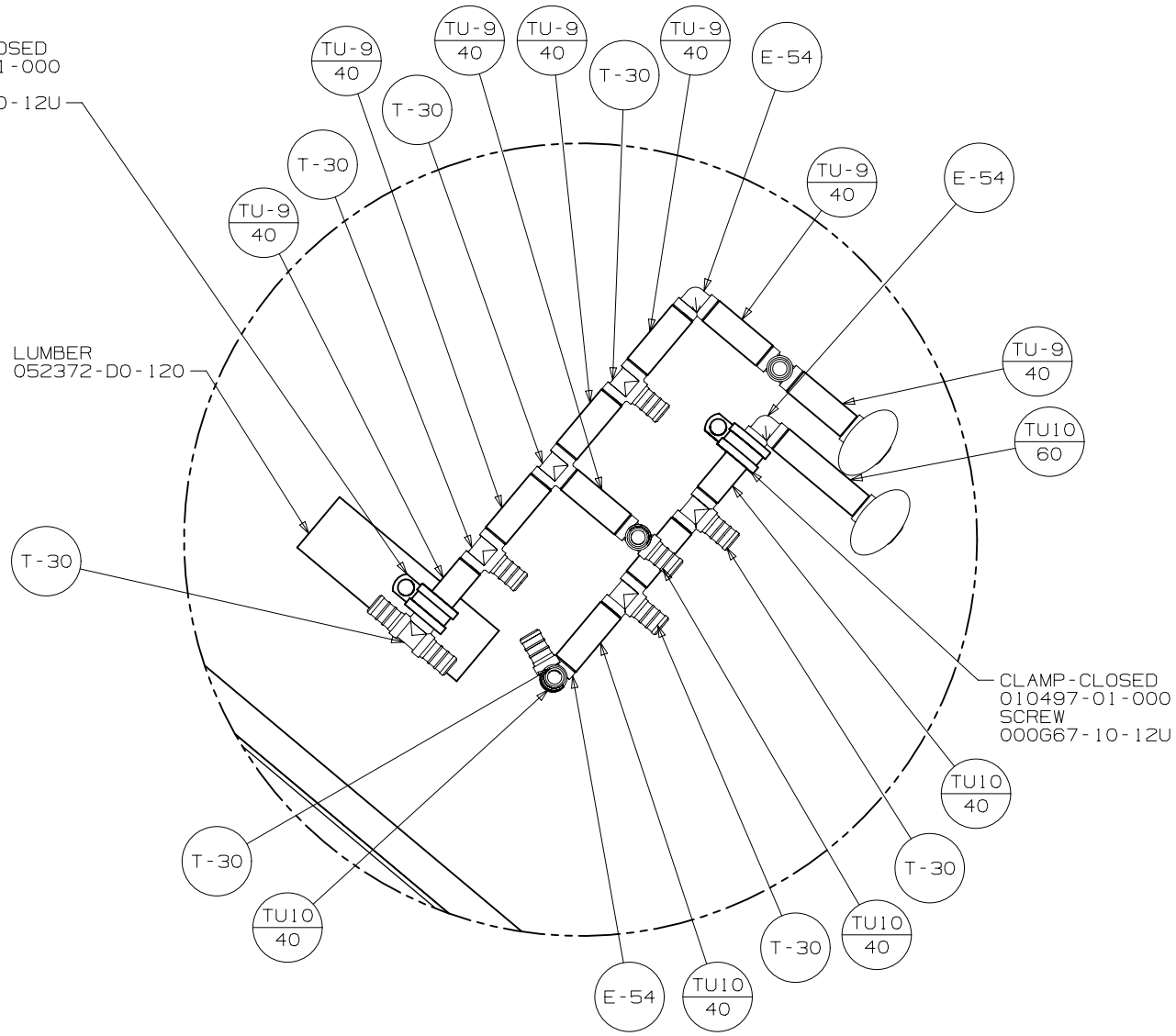
DESCRIPTION:		
WATER SYSTEM INSTL		
SHEET:	ITEM/PART NO:	REV:
3 OF 5	000188383 / 33542901000	

VIEW CA

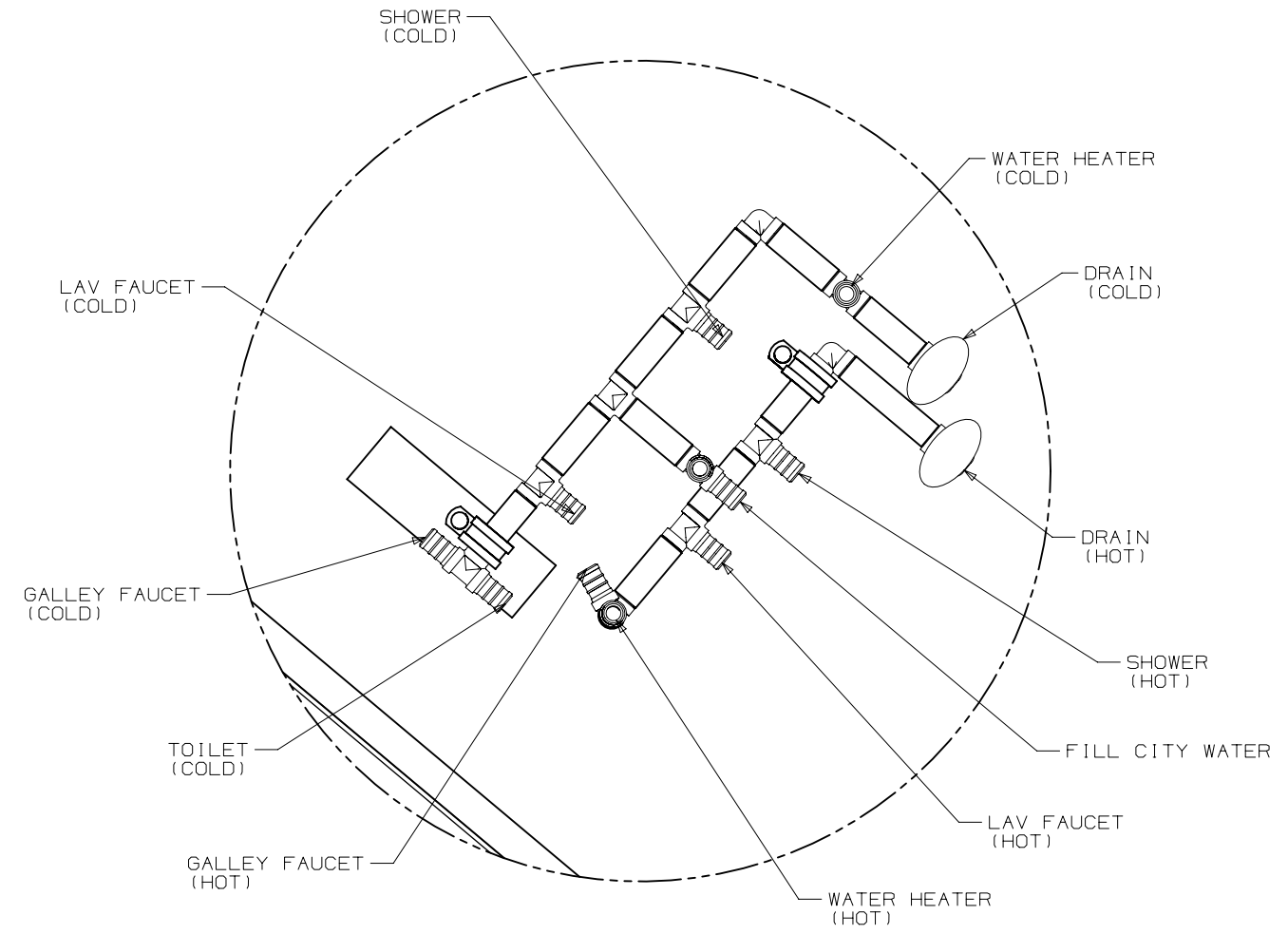


CLAMP - CLOSED  
010497-01-000  
SCREW  
000667-10-12U

LUMBER  
052372-D0-120



DETAIL EA



DETAIL EA

DESCRIPTION:		
WATER SYSTEM INSTL		
SHEET:	ITEM/PART NO:	REV
5 OF 5	000188383 / 33542901000	