

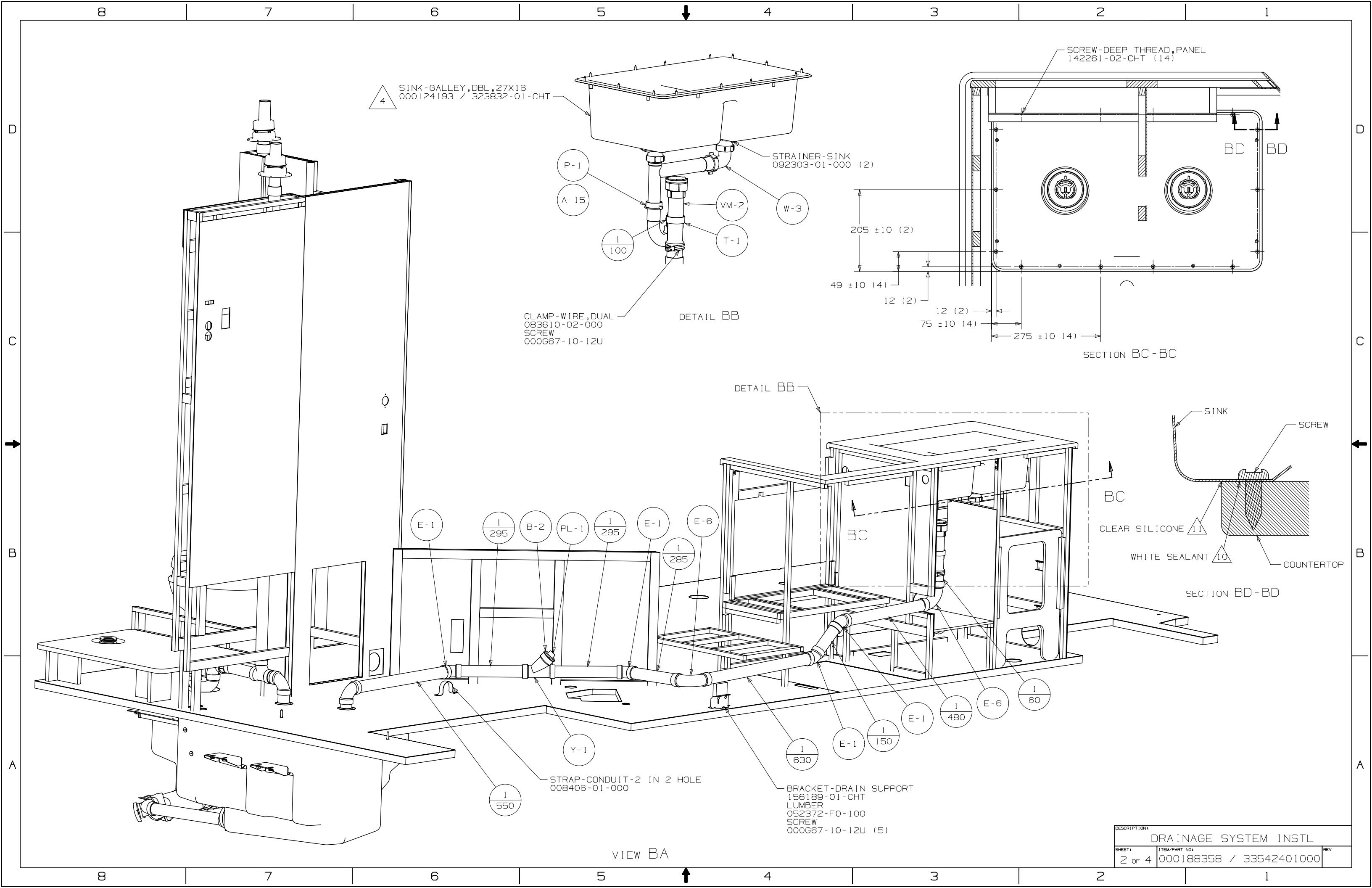
- 12 PIPE TO BE INSTALLED AFTER THE ROOF IS INSTALLED.
- 11 APPLY CAP SEAL SINK/COUNTER TOP WITH SILICONE 131264-05-CHT.
- 10 APPLY 1/4" BEAD OF SEALANT 176400-02-000 TO FLANGE BEFORE INSTALLATION.
- 9. SEE DRAWING 061607 FOR INSTALLATION OF GROMMETS.
- 8. SECURE DRAINAGE PIPES TO CABINET USING WIRE TIE 108046-02-000, AND SCREW 000667-10-12U AT INTERVALS OF NOT OF NOT MORE THAN 4 FEET APART.
- 7 SECURE VENT PIPE TO FLOOR WITH CLAMP 000156237 / 326663-02-000 (2), SCREW 000667-10-12U (2), BRACKET 136878-01-CHT (2).
- 6 VENT PIPE MUST PROJECT 51 MIN AND 64 MAX ABOVE ROOF FOR PROPER FIT AND FUNCTION. ADD S-1 (000156099 / 326607-01-CHT SEAL-VENT PIPE) AROUND PIPE ON ROOF BEFORE VENT CAP IS INSTALLED.
- 5. SEAL AROUND SHOWER WITH SILICONE.
- 4 USE SMOOTH PLUMBERS PUTTY 167459-01-000 TO SEAL STRAINER (0.2 PER STRAINER).
- 3. ALL PIPE AND FITTINGS TO BE ASSEMBLED WITH SOLVENT 004020-01-000 (USA), 004020-02-000 (CAN).
- 2. SLOPE OF TRAP ARM MUST BE 6 PER 305 mm.
- 1. SLOPE OF HORIZONTAL PIPING TO BE MINIMUM OF 3 PER 305 mm.

NOTES:

X-X

FOR
DRAINAGE
CALLOUTS
SEE DWG NO.
000211962 /
303370-01-000

WINNEBAGO COPYRIGHT 2017 WINNEBAGO INDUSTRIES, INC.		ALL DIMENSIONS ARE IN MILLIMETERS	⊕
UNSPECIFIED TOLERANCES:		MATERIAL:	
WHOLE DIM (X)	± 3		
ONE-PLACE (X,X1)	± 1.5		
TWO-PLACE (X,XX)	± 0.50		
ANGLE	± 1°		
REFER TO ES0018 FOR FASTENER TIGHTENING GUIDELINES	WEIGHT (LBS)	FIRST USED (REF)	20 C24F
DESCRIPTION: DRAINAGE SYSTEM INSTL			
SHEET: 1 OF 4	ITEM/PART NO: 000188358 / 33542401000	REV:	



4 SINK-GALLEY, DBL, 27X16
000124193 / 323832-01-CHT

STRAINER-SINK
092303-01-000 (2)

CLAMP-WIRE, DUAL
083610-02-000
SCREW
000667-10-12U

DETAIL BB

SCREW-DEEP THREAD, PANEL
142261-02-CHT (14)

205 ± 10 (2)
49 ± 10 (4)
12 (2)
75 ± 10 (4)
275 ± 10 (4)

SECTION BC-BC

DETAIL BB

SINK
SCREW
BC
CLEAR SILICONE 11
WHITE SEALANT 10
COUNTERTOP

SECTION BD-BD

E-1

1/295

B-2

PL-1

1/295

E-1

E-6

1/285

BC

1/550

STRAP-CONDUIT-2 IN 2 HOLE
008406-01-000

Y-1

1/630

BRACKET-DRAIN SUPPORT
156189-01-CHT
LUMBER
052372-F0-100
SCREW
000667-10-12U (5)

1/150

E-1

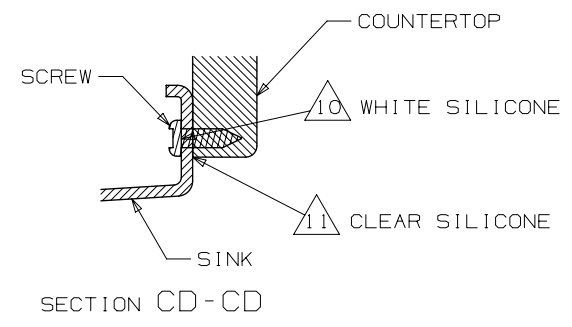
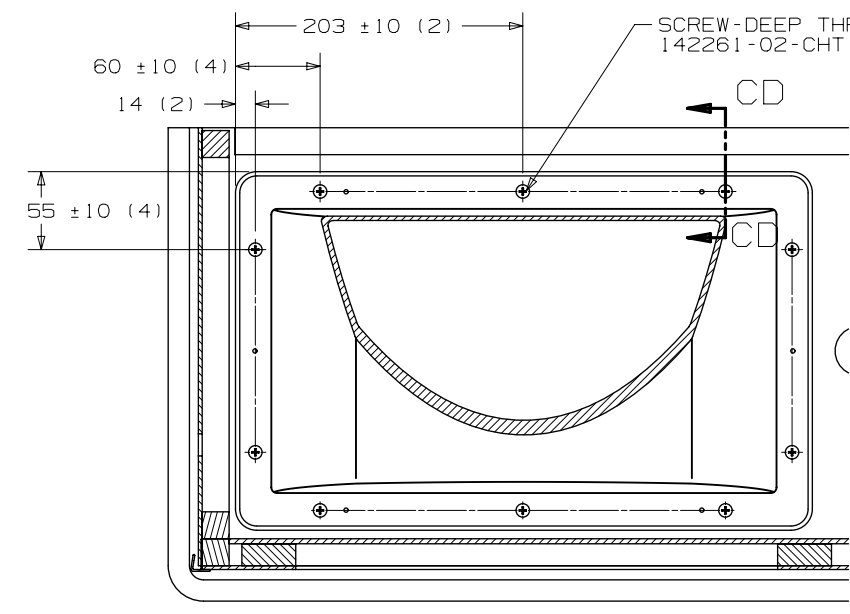
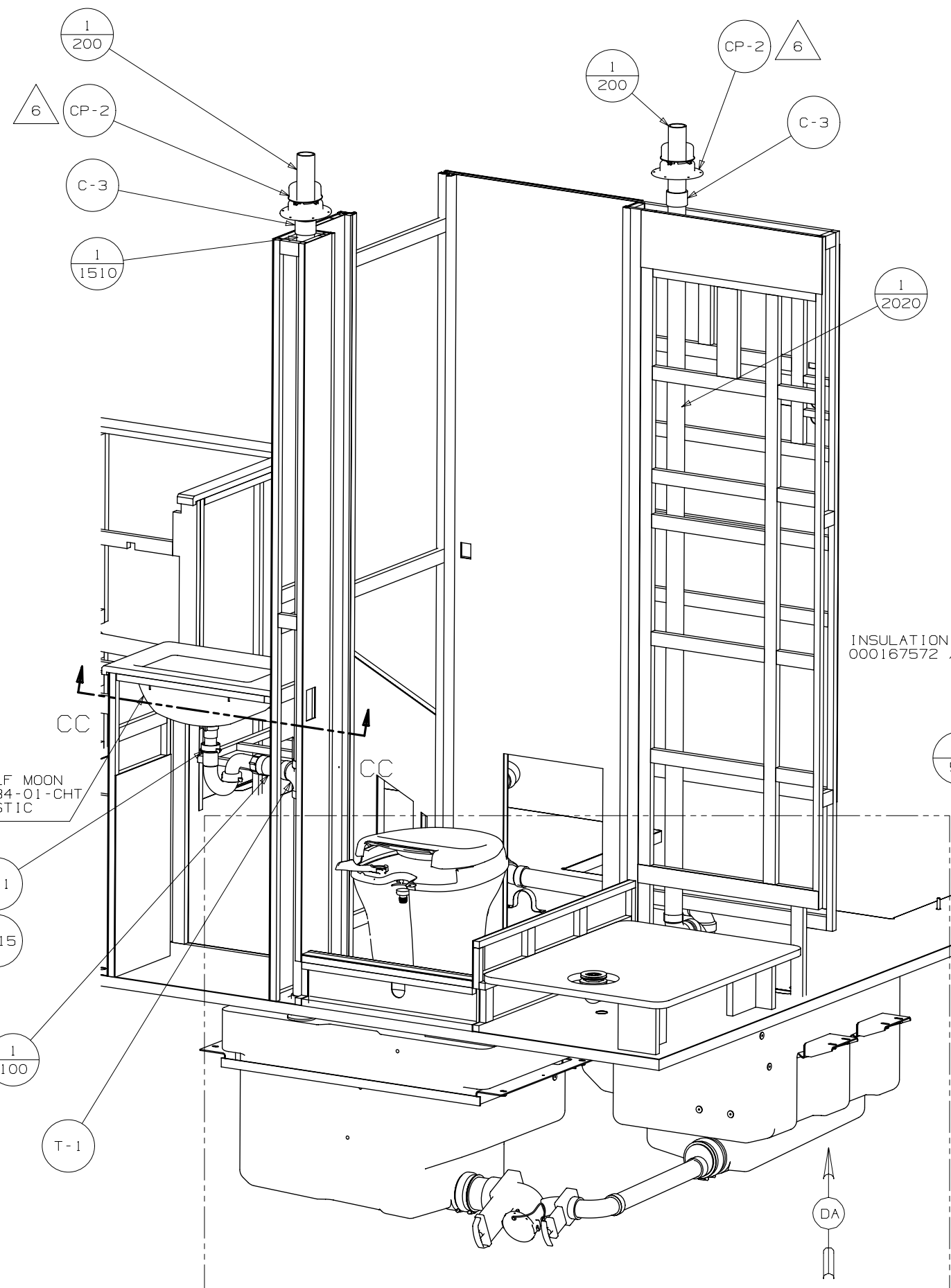
1/480

E-6

1/60

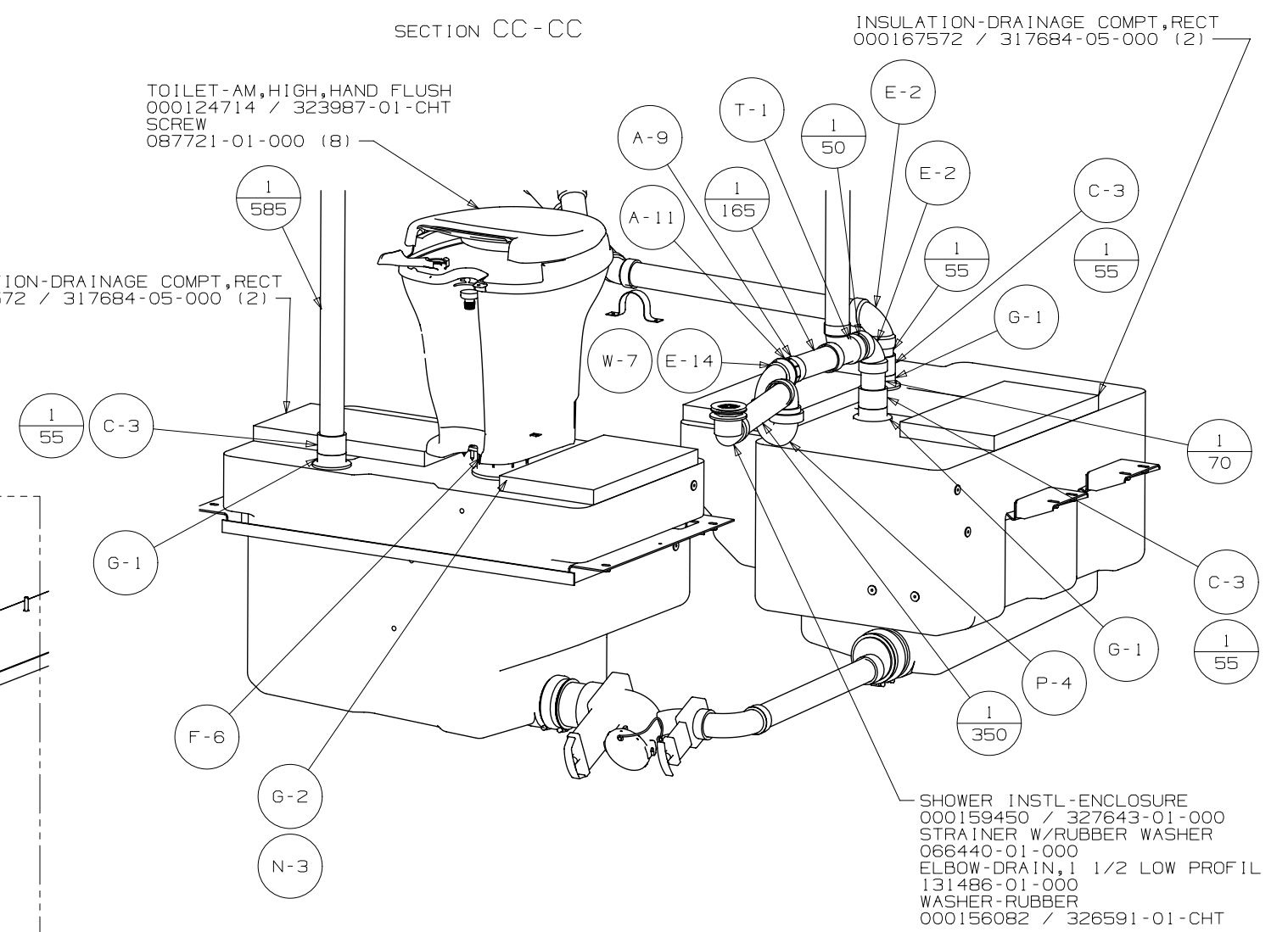
VIEW BA

DESCRIPTION:		
DRAINAGE SYSTEM INSTL		
SHEET:	ITEM/PART NO:	REV:
2 OF 4	000188358 / 33542401000	

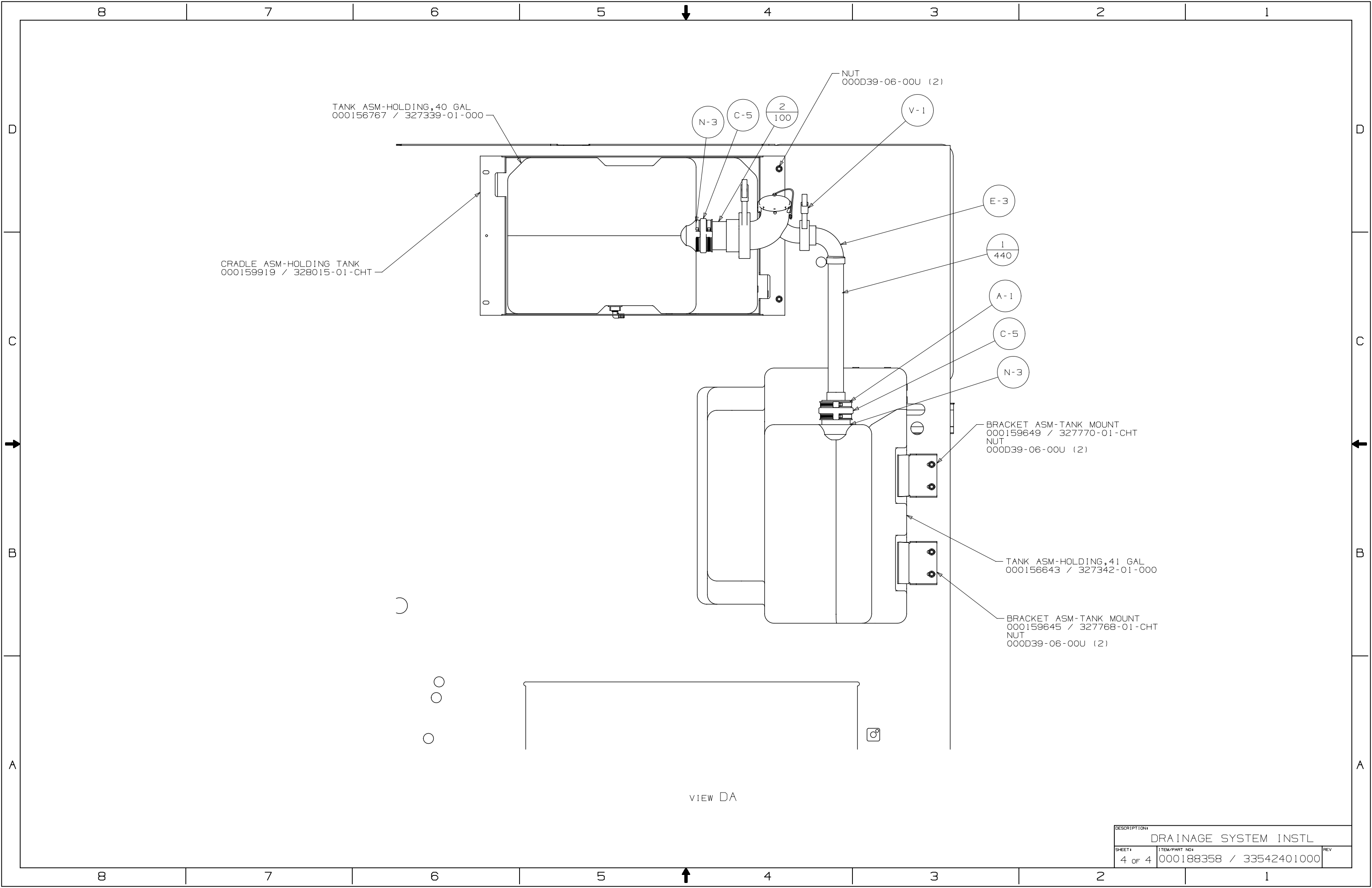


TOILET-AM, HIGH, HAND FLUSH
000124714 / 323987-01-CHT
SCREW
087721-01-000 (8)

INSULATION-DRAINAGE COMPT, RECT
000167572 / 317684-05-000 (2)



DESCRIPTION:		
DRAINAGE SYSTEM INSTL		
SHEET:	ITEM/PART NO:	REV
3 OF 4	000188358 / 33542401000	



DESCRIPTION:		
DRAINAGE SYSTEM INSTL		
SHEET:	ITEM/PART NO:	REV:
4 OF 4	000188358 / 33542401000	