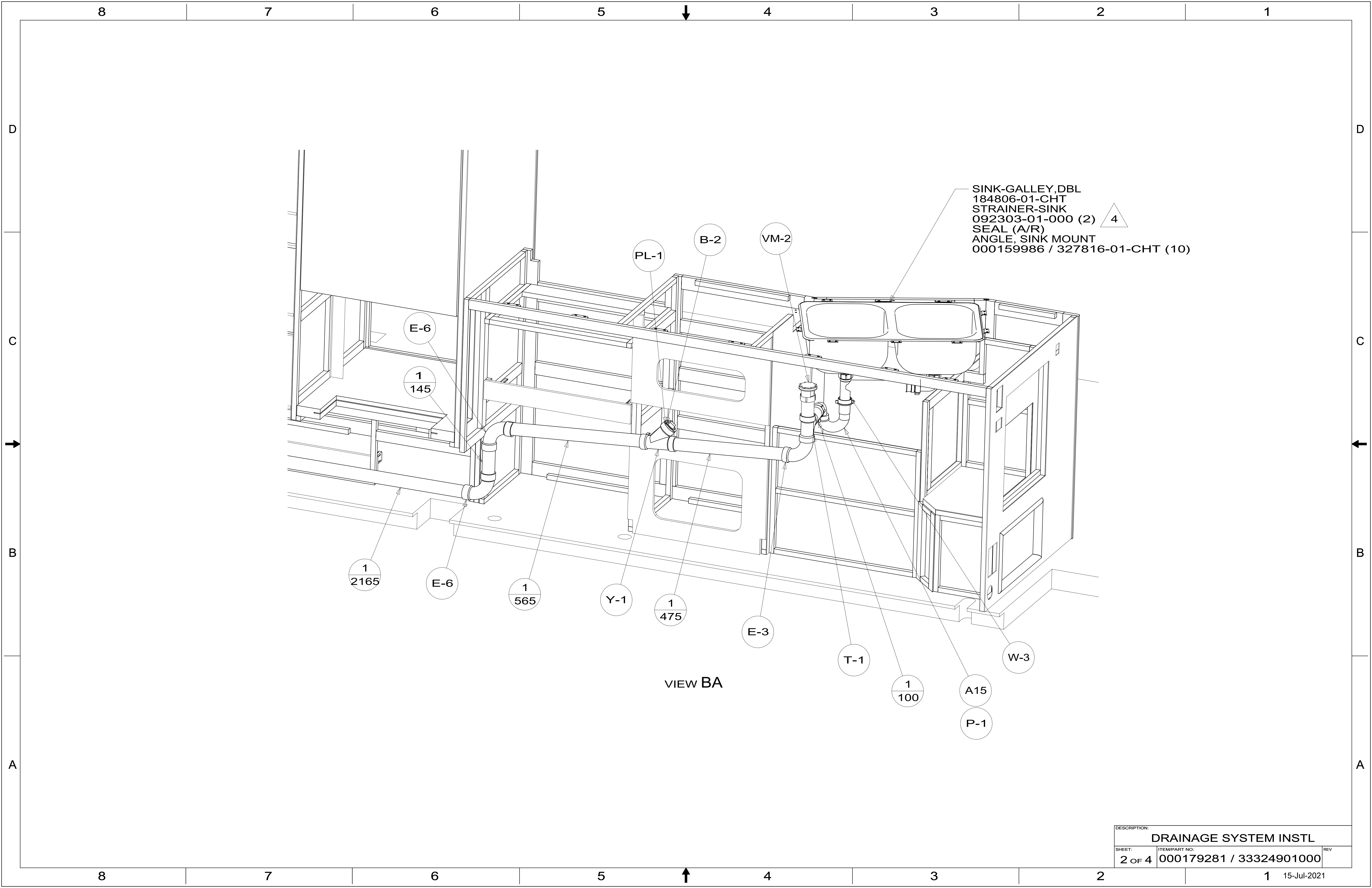


- 9. SEE DRAWING 061607 FOR INSTALLATION OF GROMMETS.
- 8. SECURE DRAINAGE PIPES TO CABINET USING WIRE TIE 108046-02-000, AND SCREW 000G67-10-12U AT INTERVALS OF NOT OF NOT MORE THAN 4 FEET APART.
- 7. SECURE VENT PIPE TO FLOOR WITH CLAMP 000156237 / 326663-02-000 (2), SCREW 000G67-10-12U (2), BRACKET 136878-01-CHT (2).
- 6. VENT PIPE MUST PROJECT 51 MIN AND 64 MAX ABOVE ROOF FOR PROPER FIT AND FUNCTION. ADD S-1 (000156099 / 326607-01-CHT SEAL-VENT PIPE) AROUND PIPE ON ROOF BEFORE VENT CAP IS INSTALLED.
- 5. SEAL AROUND SHOWER WITH SILICONE.
- 4. USE SMOOTH PLUMBERS PUTTY 167459-01-000 TO SEAL STRAINER (0.2 PER STRAINER).
- 3. ALL PIPE AND FITTINGS TO BE ASSEMBLED WITH SOLVENT 004020-01-000 (USA), 004020-02-000 (CAN)
- 2. SLOPE OF TRAP ARM MUST BE 6 PER 305 mm.
- 1. SLOPE OF HORIZONTAL PIPING TO BE MINIMUM OF 3 PER 305 mm.

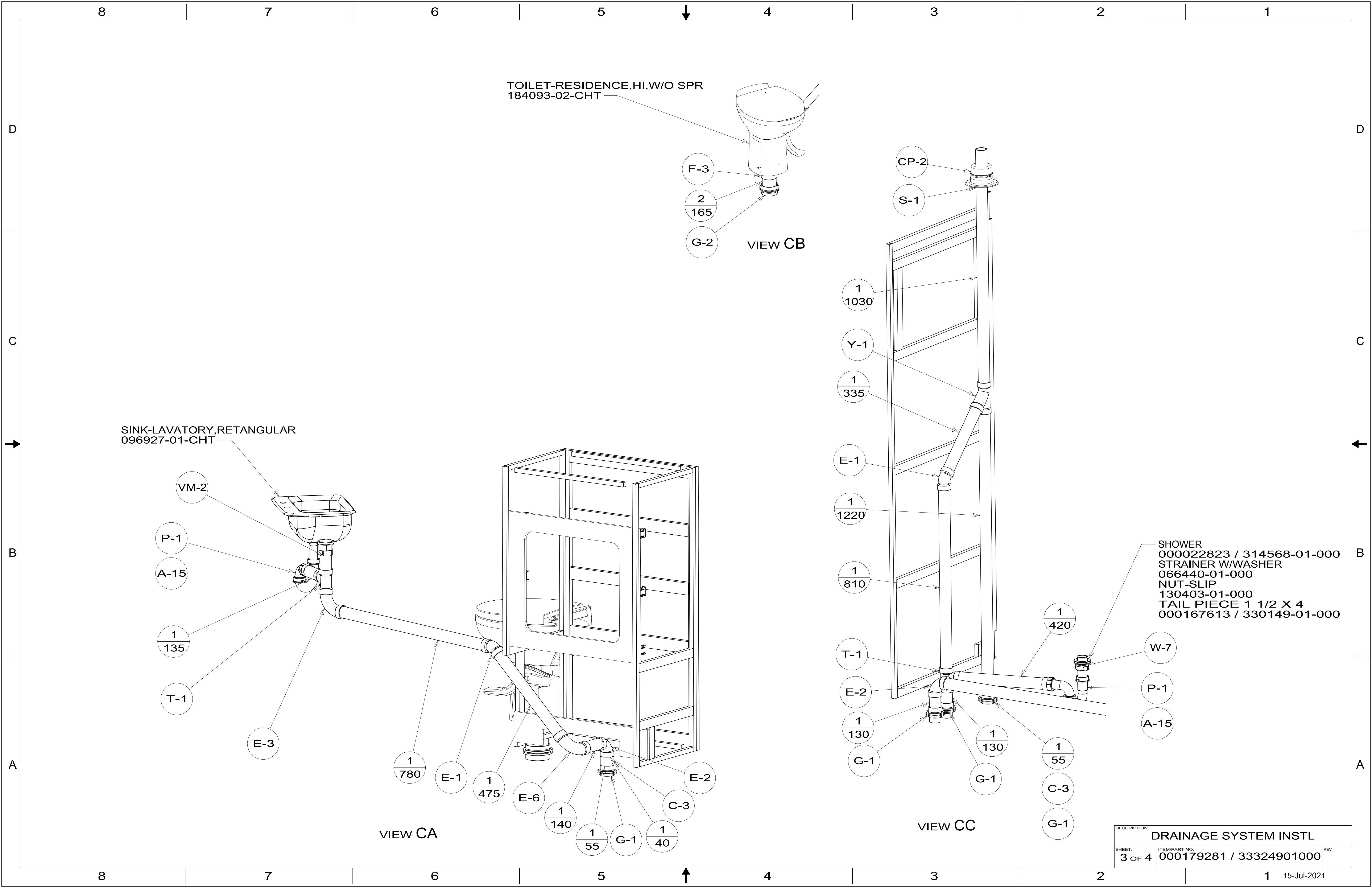
NOTES:

X-X
FOR
DRAINAGE
CALLOUTS
SEE DWG NO.
000211962 /
303370-01-000

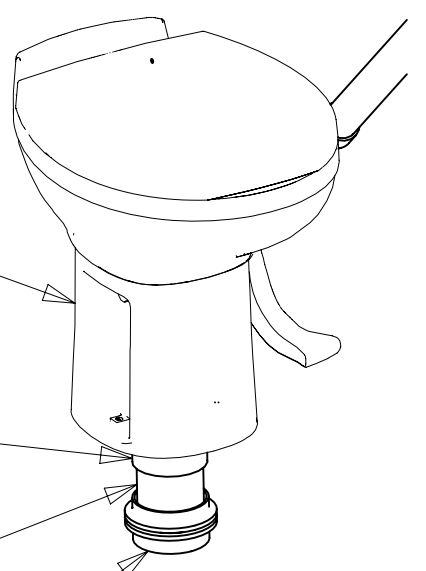
WINNEBAGO [®]		COPYRIGHT 2018 WINNEBAGO INDUSTRIES, INC.	
DSNR:		ALL DIMENSIONS ARE IN MILLIMETERS	
DIFFR:		MATERIAL:	
UNSPECIFIED TOLERANCES:			
WHOLE DIM (X)	± 3		
ONE-PLACE (X.X)	± 1.5		
TWO-PLACE (X.XX)	± 0.50		
ANGLE	± 1°		
REFER TO ES0018 FOR FASTENER TIGHTENING GUIDELINES	WEIGHT: (LBS)	FIRST USED: (REF)	20 E32Y
DESCRIPTION: DRAINAGE SYSTEM INSTL			
SHEET:	ITEM/PART NO:	REV	
1 OF 4	000179281 / 33324901000		



DESCRIPTION:		
DRAINAGE SYSTEM INSTL		
SHEET:	ITEM/PART NO:	REV
2 OF 4	000179281 / 33324901000	



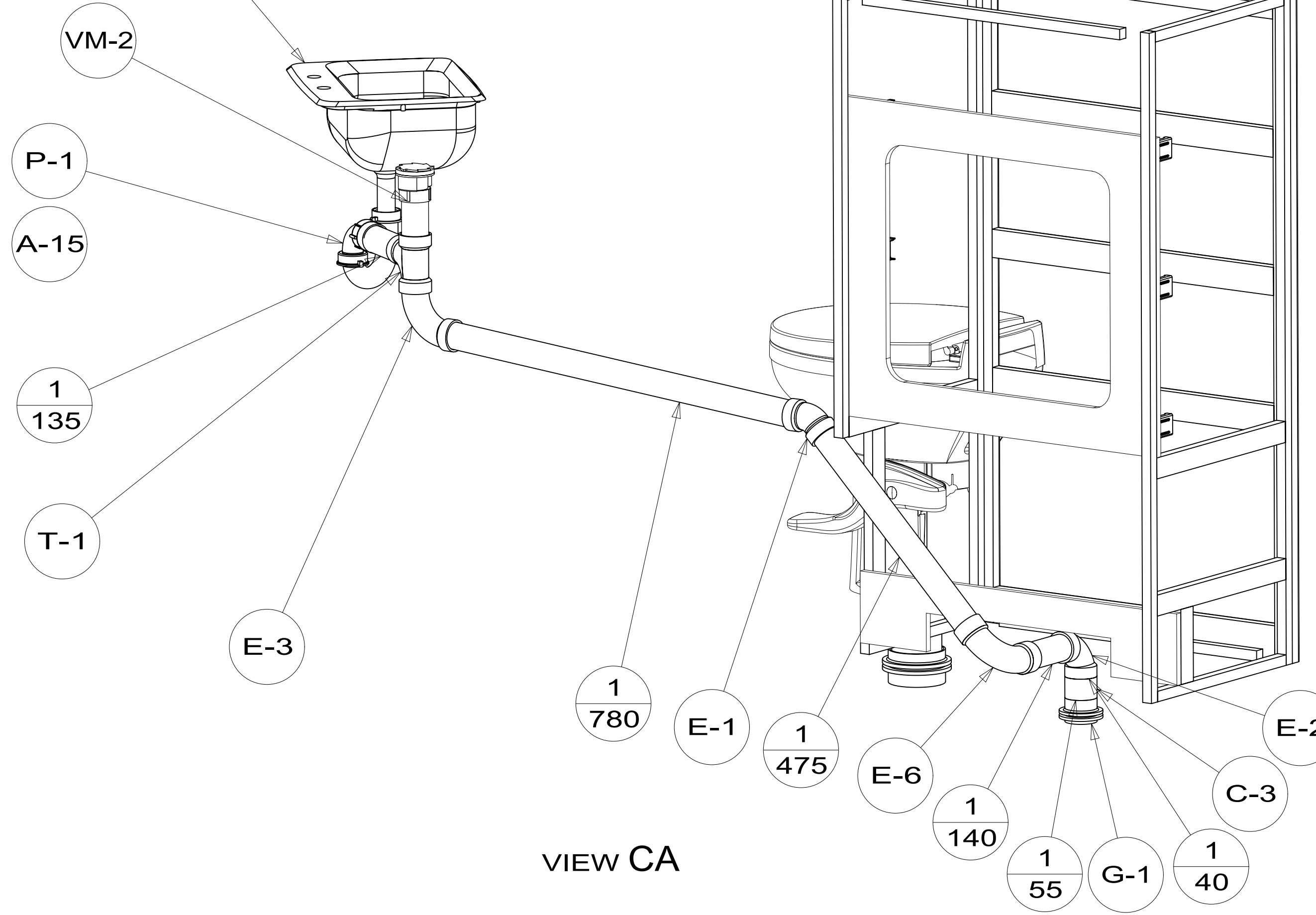
TOILET-RESIDENCE, HI, W/O SPR
184093-02-CHT



- F-3
- 2
165
- G-2

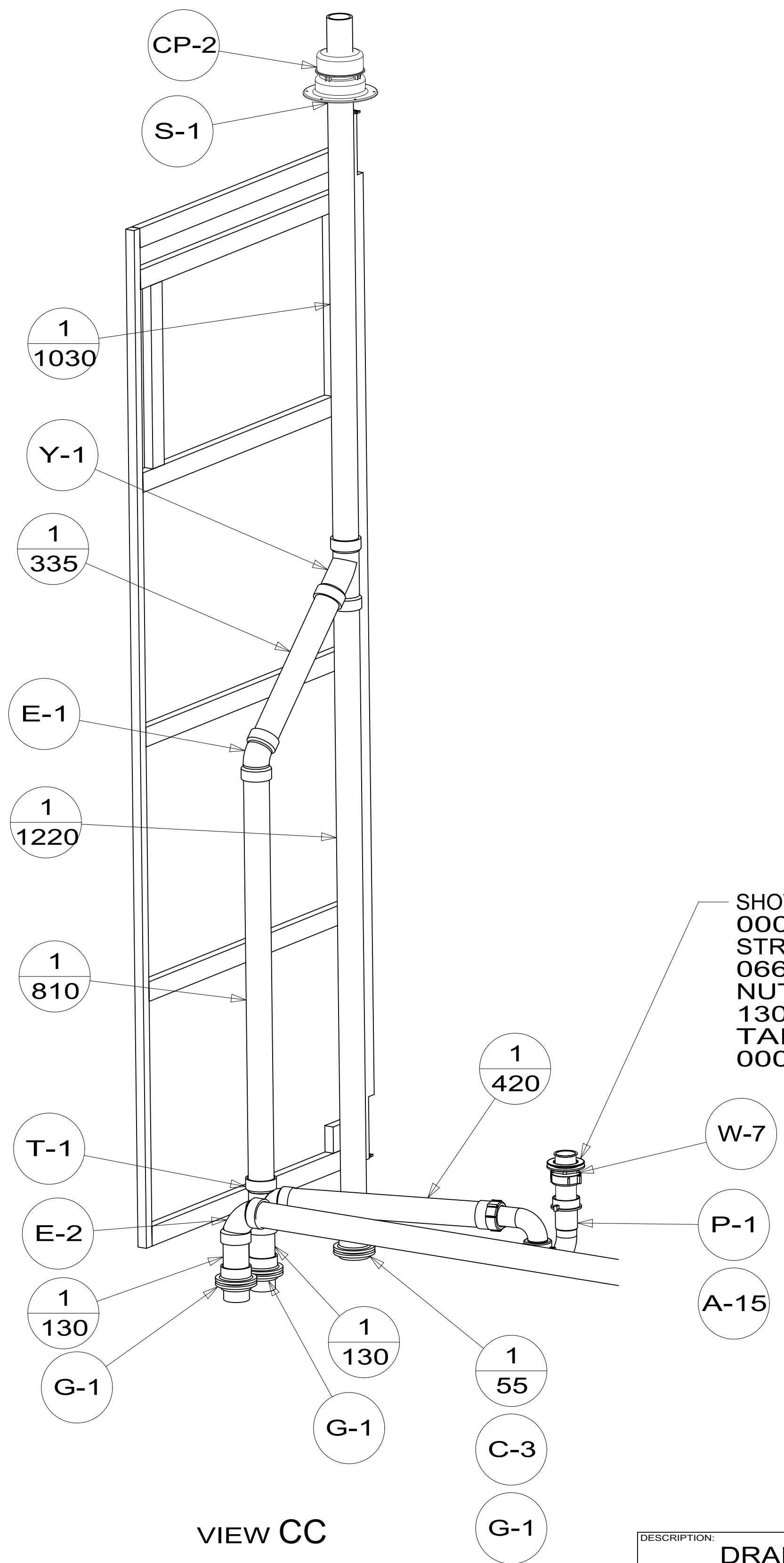
VIEW CB

SINK-LAVATORY, RETANGULAR
096927-01-CHT



- VM-2
- P-1
- A-15
- 1
135
- T-1
- E-3
- 1
780
- E-1
- 1
475
- E-6
- 1
140
- 1
55
- G-1
- 1
40
- C-3
- E-2

VIEW CA



- CP-2
- S-1
- 1
1030
- Y-1
- 1
335
- E-1
- 1
1220
- 1
810
- T-1
- E-2
- 1
130
- G-1
- 1
130
- 1
55
- C-3
- G-1
- 1
420
- W-7
- P-1
- A-15

VIEW CC

SHOWER
000022823 / 314568-01-000
STRAINER W/WASHER
066440-01-000
NUT-SLIP
130403-01-000
TAIL PIECE 1 1/2 X 4
000167613 / 330149-01-000

DESCRIPTION: DRAINAGE SYSTEM INSTL		
SHEET: 3 OF 4	ITEM/PART NO: 000179281 / 33324901000	REV

