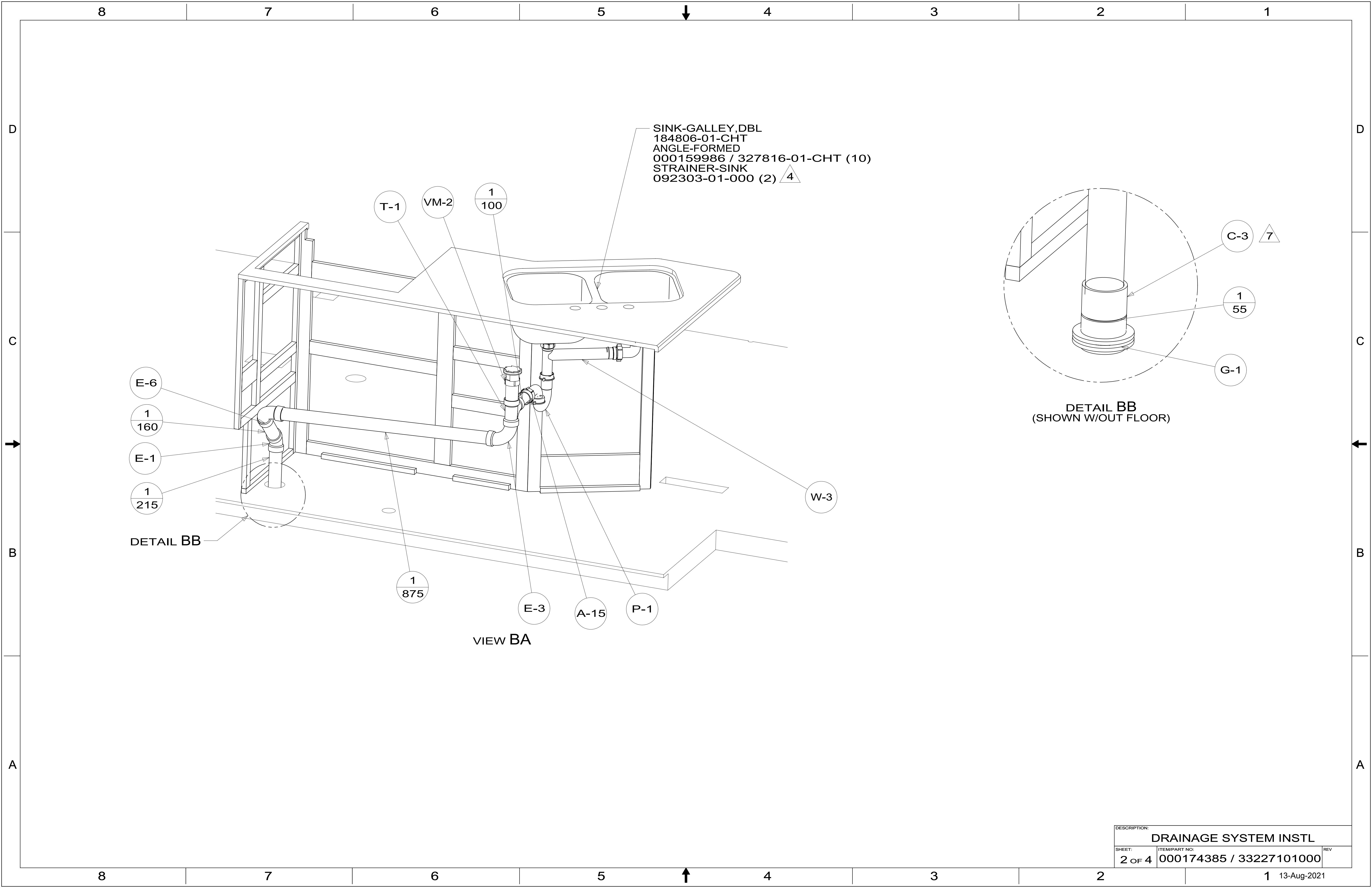


- 9. SEE DRAWING 061607 FOR INSTALLATION OF GROMMETS.
- 8. SECURE DRAINAGE PIPES TO CABINET USING WIRE TIE 108046-02-000, AND SCREW 000G67-10-12U AT INTERVALS OF NOT OF NOT MORE THAN 4 FEET APART.
- 7. SECURE VENT PIPE TO FLOOR WITH CLAMP 000156237 / 326663-02-000 (2), SCREW 000G67-10-12U (2), BRACKET 136878-01-CHT (2).
- 6. VENT PIPE MUST PROJECT 51 MIN AND 64 MAX ABOVE ROOF FOR PROPER FIT AND FUNCTION. ADD S-1 (000156099 / 326607-01-CHT SEAL-VENT PIPE) AROUND PIPE ON ROOF BEFORE VENT CAP IS INSTALLED.
- 5. SEAL AROUND SHOWER WITH SILICONE.
- 4. USE SMOOTH PLUMBERS PUTTY 167459-01-000 TO SEAL STRAINER (0.2 PER STRAINER).
- 3. ALL PIPE AND FITTINGS TO BE ASSEMBLED WITH SOLVENT 004020-01-000 (USA), 004020-02-000 (CAN)
- 2. SLOPE OF TRAP ARM MUST BE 6 PER 305 mm.
- 1. SLOPE OF HORIZONTAL PIPING TO BE MINIMUM OF 3 PER 305 mm.

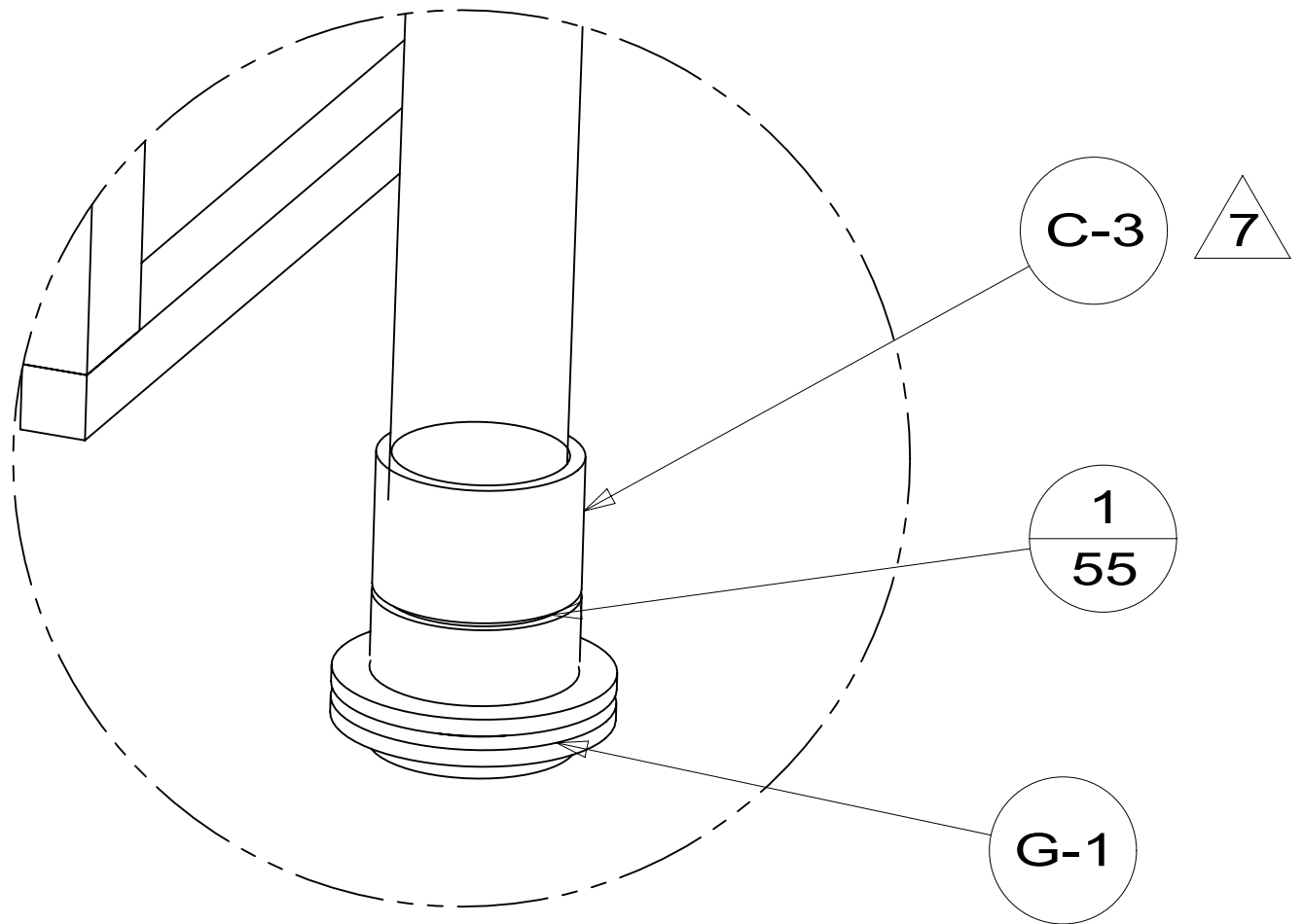
NOTES:

X-X  
FOR  
DRAINAGE  
CALLOUTS  
SEE DWG NO.  
000211962 /  
303370-01-000

<b>WINNEBAGO</b> COPYRIGHT 2019 WINNEBAGO INDUSTRIES, INC.		
DSNR:	ALL DIMENSIONS ARE IN MILLIMETERS	
DIFFR:		
UNSPECIFIED TOLERANCES:	MATERIAL:	
WHOLE DIM (X) :	3	
ONE-PLACE (X.X) :	1.5	
TWO-PLACE (X.XX) :	0.50	
ANGLE :	1°	
REFER TO ES0018 FOR FASTENER TIGHTENING GUIDELINES	WEIGHT: (LBS)	FIRST USED: (REF)
		20 E35U
<b>DESCRIPTION:</b> DRAINAGE SYSTEM INSTL		
SHEET: 1 OF 4	ITEM/PART NO: 000174385 / 33227101000	REV:



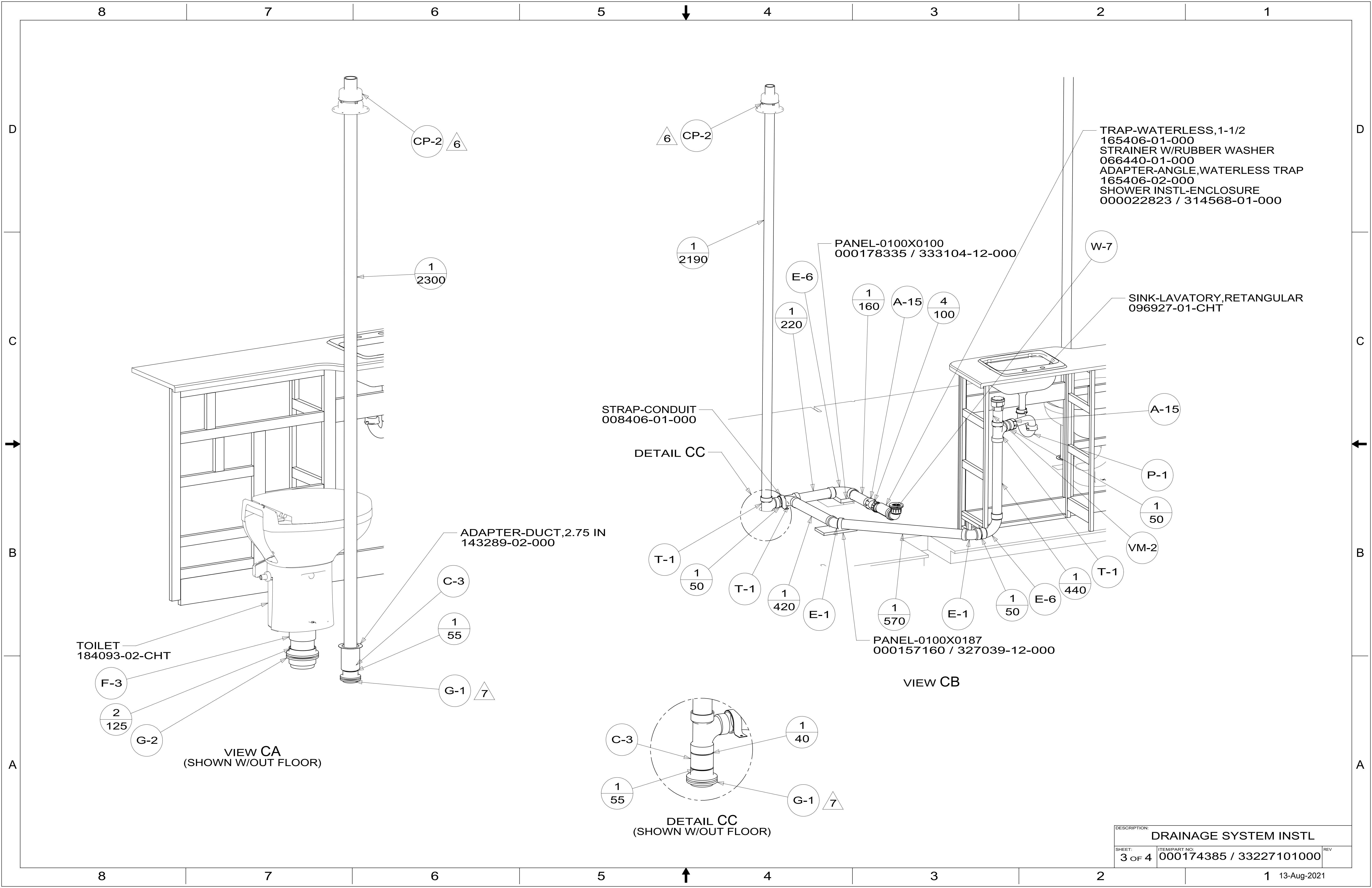
SINK-GALLEY, DBL  
 184806-01-CHT  
 ANGLE-FORMED  
 000159986 / 327816-01-CHT (10)  
 STRAINER-SINK  
 092303-01-000 (2)  $\triangle$  4



DETAIL BB  
 (SHOWN W/OUT FLOOR)

VIEW BA

DESCRIPTION: <b>DRAINAGE SYSTEM INSTL</b>		
SHEET: 2 OF 4	ITEM/PART NO: 000174385 / 33227101000	REV
8	7	1 13-Aug-2021



- TRAP-WATERLESS, 1-1/2  
165406-01-000
- STRAINER W/RUBBER WASHER  
066440-01-000
- ADAPTER-ANGLE, WATERLESS TRAP  
165406-02-000
- SHOWER INSTL-ENCLOSURE  
000022823 / 314568-01-000

SINK-LAVATORY, RETANGULAR  
096927-01-CHT

PANEL-0100X0100  
000178335 / 333104-12-000

STRAP-CONDUIT  
008406-01-000

ADAPTER-DUCT, 2.75 IN  
143289-02-000

PANEL-0100X0187  
000157160 / 327039-12-000

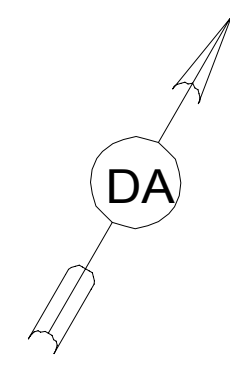
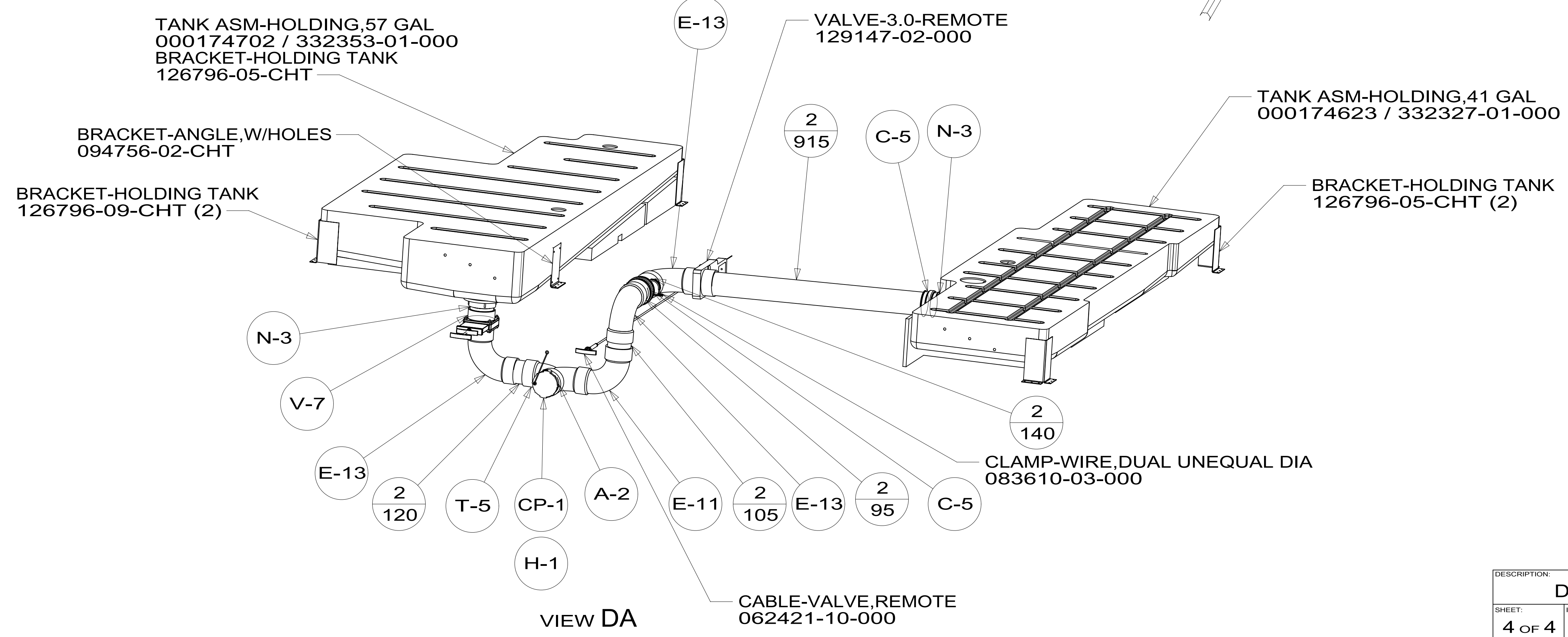
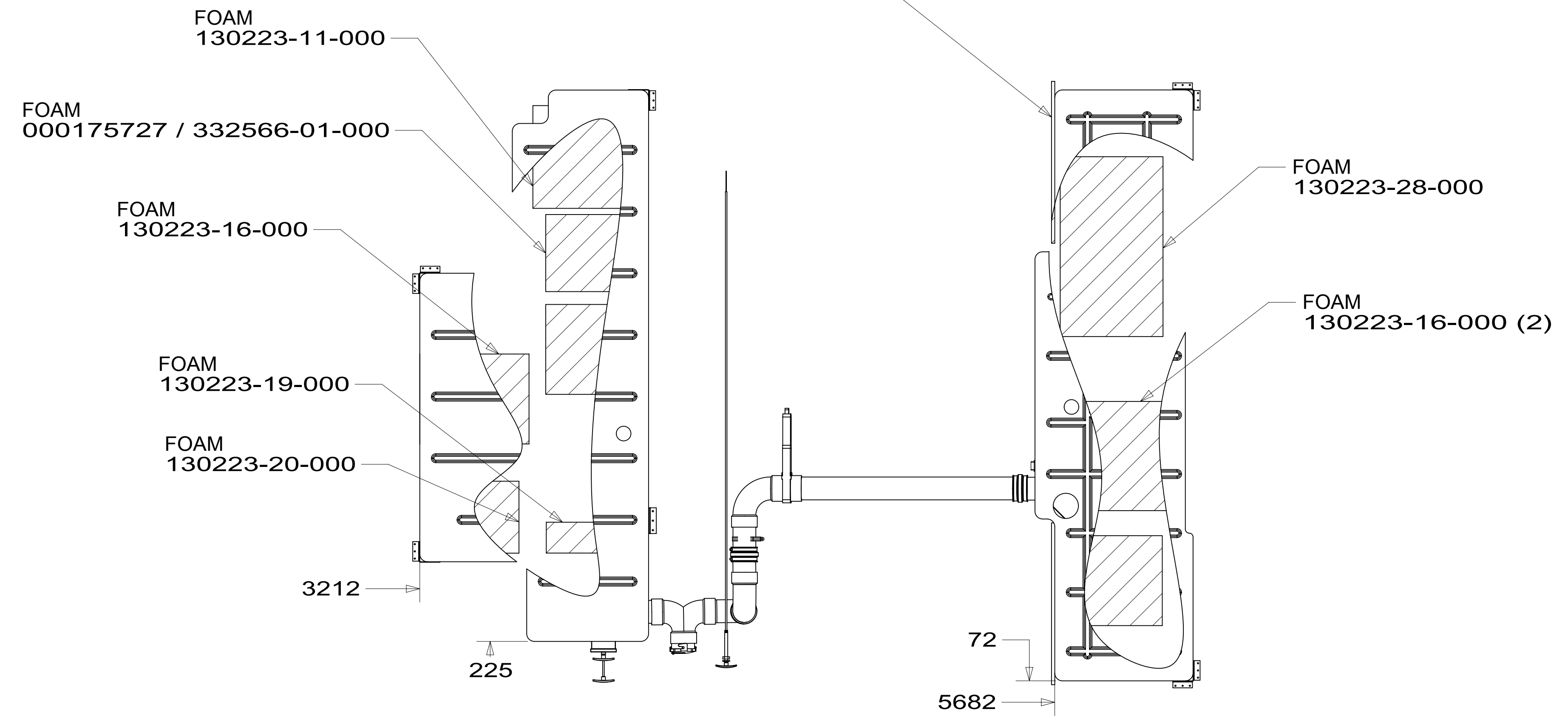
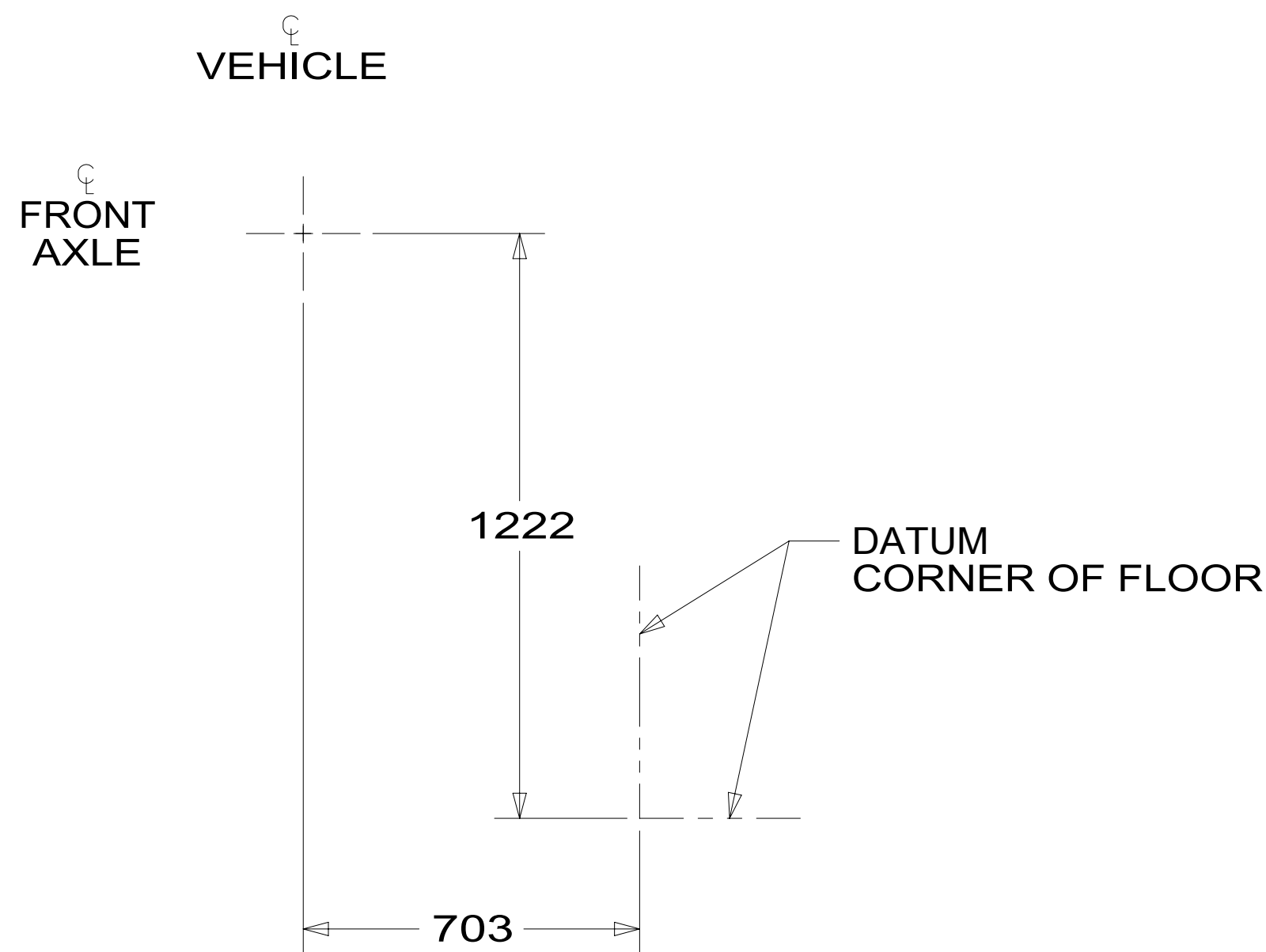
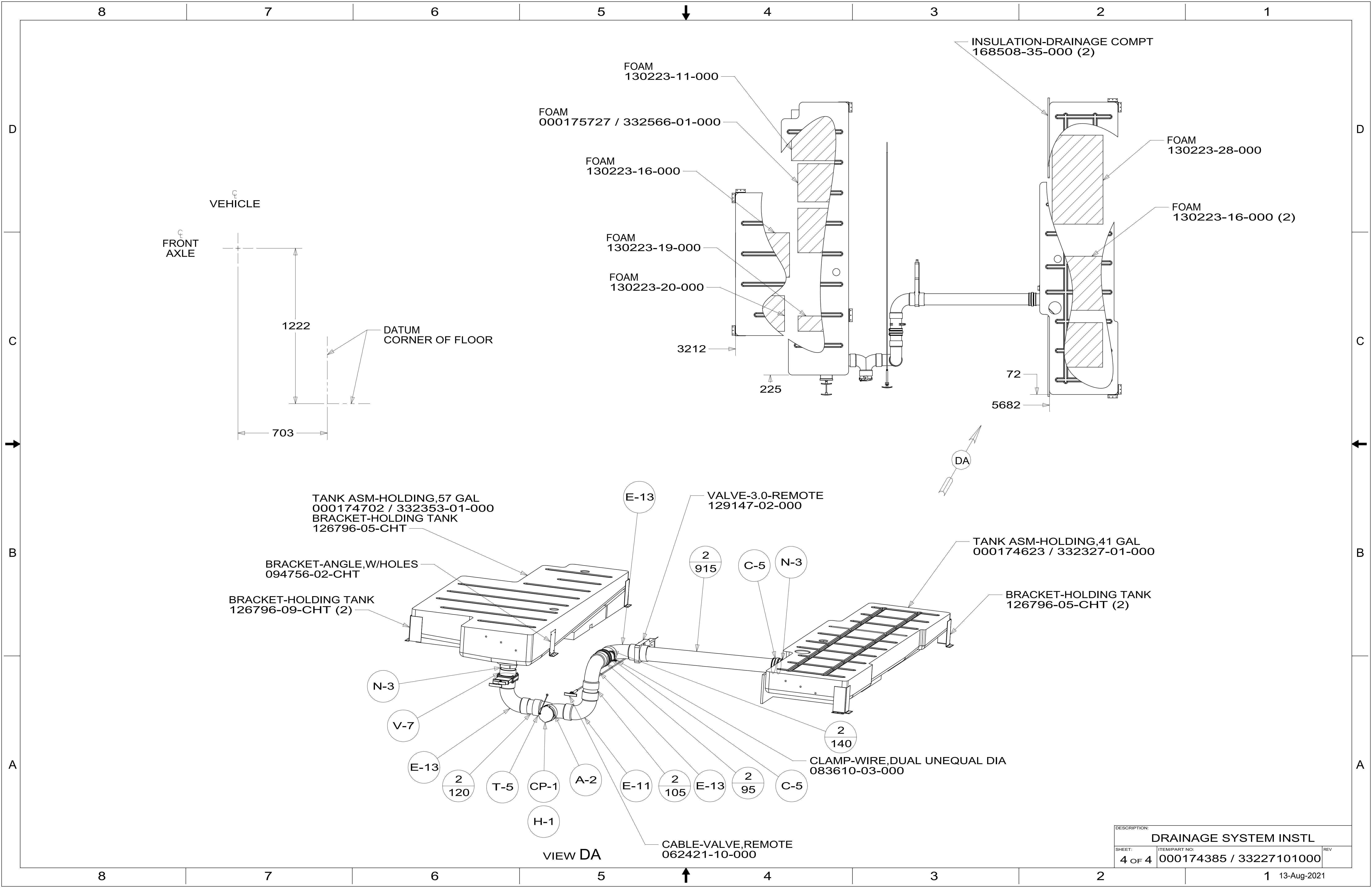
TOILET  
184093-02-CHT

VIEW CA  
(SHOWN W/OUT FLOOR)

VIEW CB

DETAIL CC  
(SHOWN W/OUT FLOOR)

DESCRIPTION: <b>DRAINAGE SYSTEM INSTL</b>		
SHEET: <b>3 OF 4</b>	ITEM/PART NO: <b>000174385 / 33227101000</b>	REV



DESCRIPTION:		
DRAINAGE SYSTEM INSTL		
SHEET:	ITEM/PART NO.:	REV
4 OF 4	000174385 / 33227101000	