

11. GLUE FITTING AFTER CABINET IS INSTALLED.
10. APPLY PRIMER 126427-02-000 AND CEMENT 126427-01-000 BETWEEN ELBOW AND FLEX PIPE.
9. SEE DRAWING 061607 FOR INSTALLATION OF GROMMETS.
8. SECURE DRAINAGE PIPES TO CABINET USING WIRE TIE 108046-02-000, AND SCREW 000G67-10-12U AT INTERVALS OF NOT OF NOT MORE THAN 4 FEET APART.
- 7 SECURE VENT PIPE TO FLOOR WITH CLAMP 000156237 / 326663-02-000 (2),SCREW 000G67-10-12U (2), BRACKET 136878-01-CHT (2).
- 6 VENT PIPE MUST PROJECT 51 MIN AND 64 MAX ABOVE ROOF FOR PROPER FIT AND FUNCTION. ADD S-1 (000156099 / 326607-01-CHT SEAL-VENT PIPE) AROUND PIPE ON ROOF BEFORE VENT CAP IS INSTALLED.
5. SEAL AROUND SHOWER WITH SILICONE.
4. USE SMOOTH PLUMBERS PUTTY 167459-01-000 TO SEAL STRAINER (0.2 PER STRAINER).
3. ALL PIPE AND FITTINGS TO BE ASSEMBLED WITH SOLVENT 004020-01-000 (USA), 004020-02-000 (CAN)
2. SLOPE OF TRAP ARM MUST BE 6 PER 305 mm.
1. SLOPE OF HORIZONTAL PIPING TO BE MINIMUM OF 3 PER 305 mm.

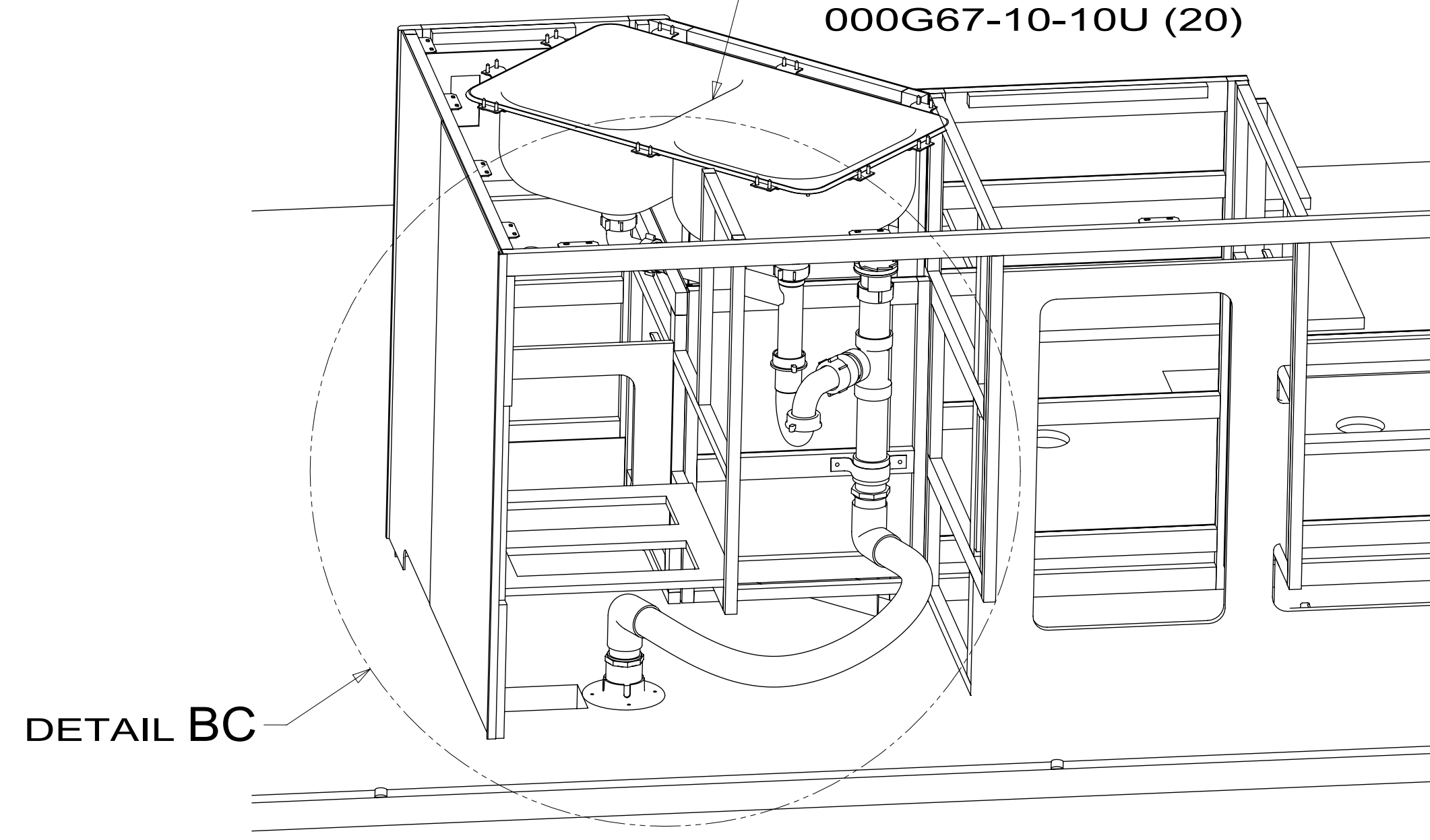
NOTES:

FOR DRAINAGE CALLOUTS SEE DWG NO. 000211962 / 303370-01-000

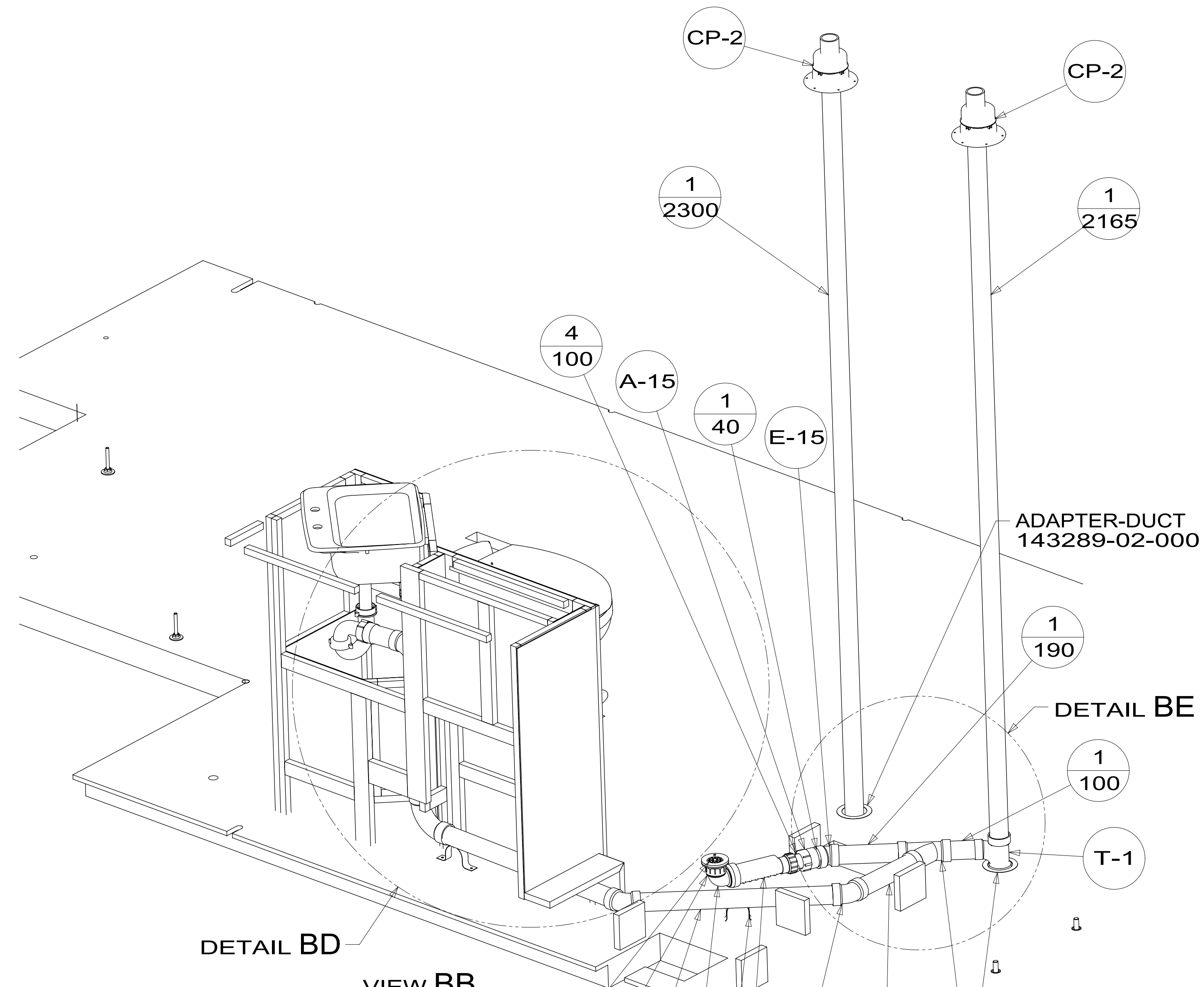
WINNEBAGO
COPYRIGHT 2018 WINNEBAGO INDUSTRIES, INC.

DSNR:		ALL DIMENSIONS ARE IN MILLIMETERS	
DIFFR:		MATERIAL:	
UNSPECIFIED TOLERANCES:			
WHOLE DIM (X)	: 3		
ONE-PLACE (X.X)	: 1.5		
TWO-PLACE (X.XX)	: 0.50		
ANGLE	: 1°		
REFER TO ES0018 FOR FASTENER TIGHTENING GUIDELINES		WEIGHT: (LBS)	FIRST USED: (REF)
			20 E29V
DESCRIPTION: DRAINAGE SYSTEM INSTL			
SHEET:	ITEM/PART NO.:	REV	
1 OF 3	000172624 / 33213001000		
REF:		1 04-Feb-2021	

SINK-GALLEY, DBL, 16X27X7
 184806-01-CHT
 STRAINER-SINK
 092303-01-000 (2)
 ANGLE-FORMED, SINK MOUNTING
 000159986 / 327816-01-CHT (10)
 SCREW
 000G67-10-10U (20)

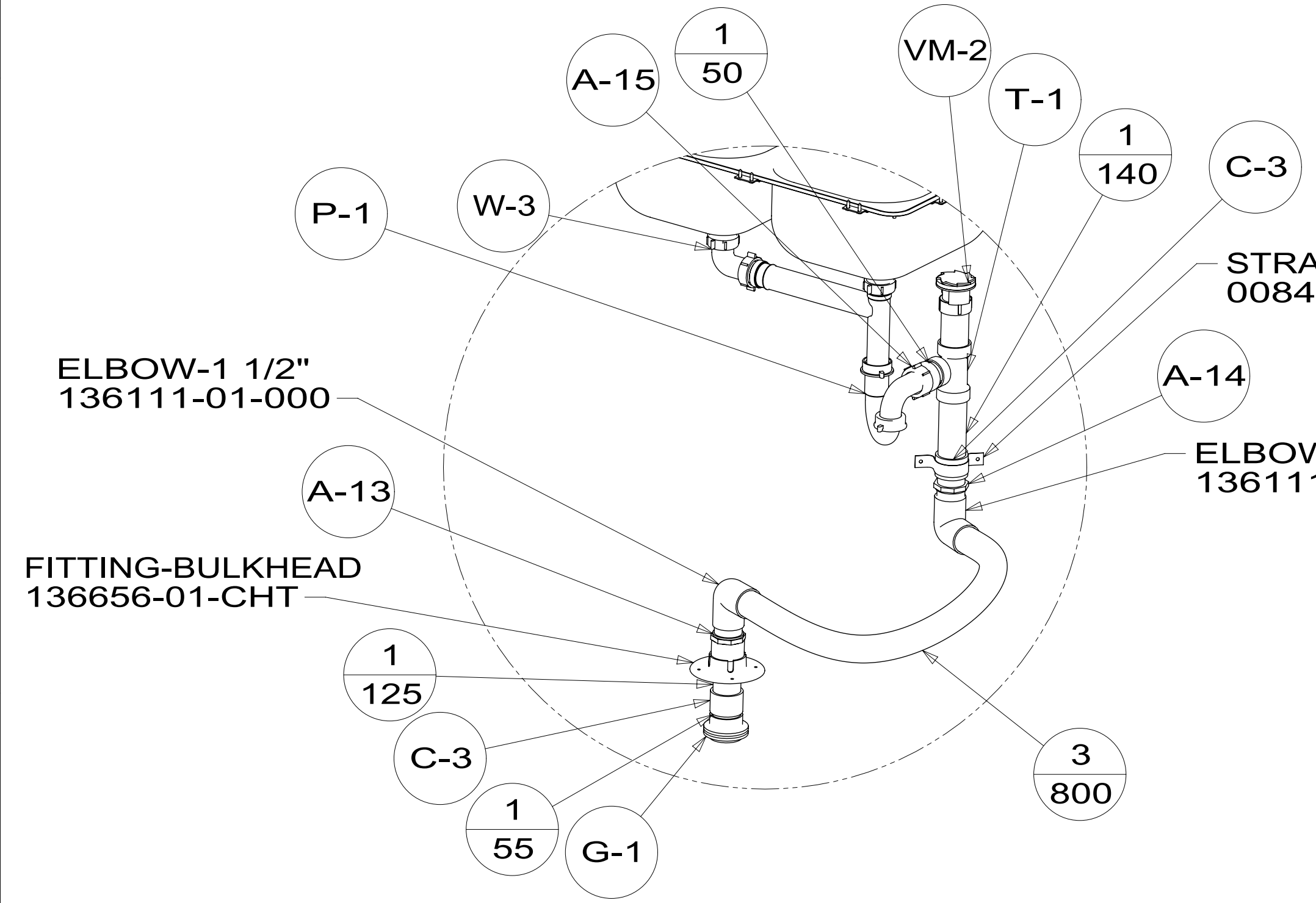


VIEW BA

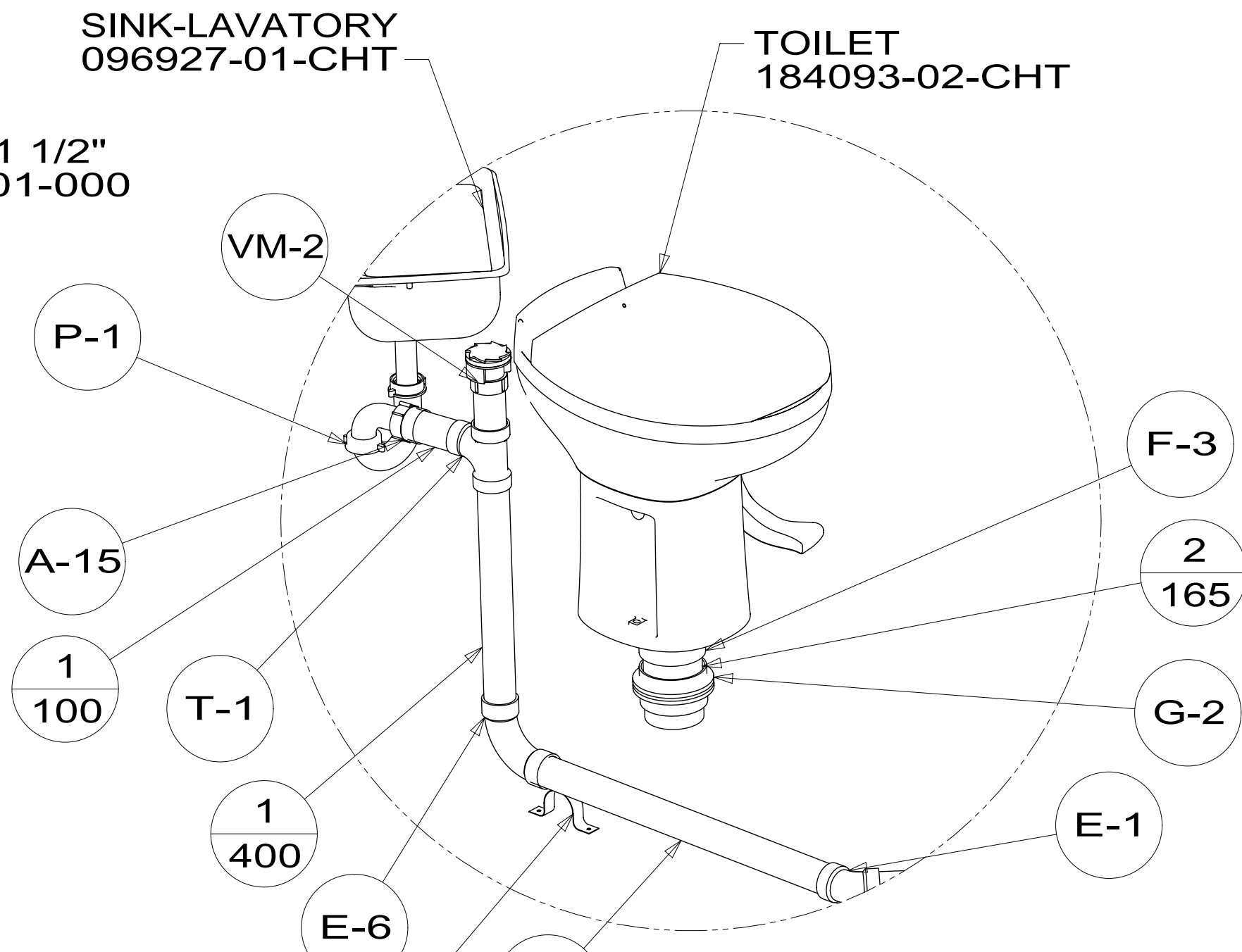


VIEW BB

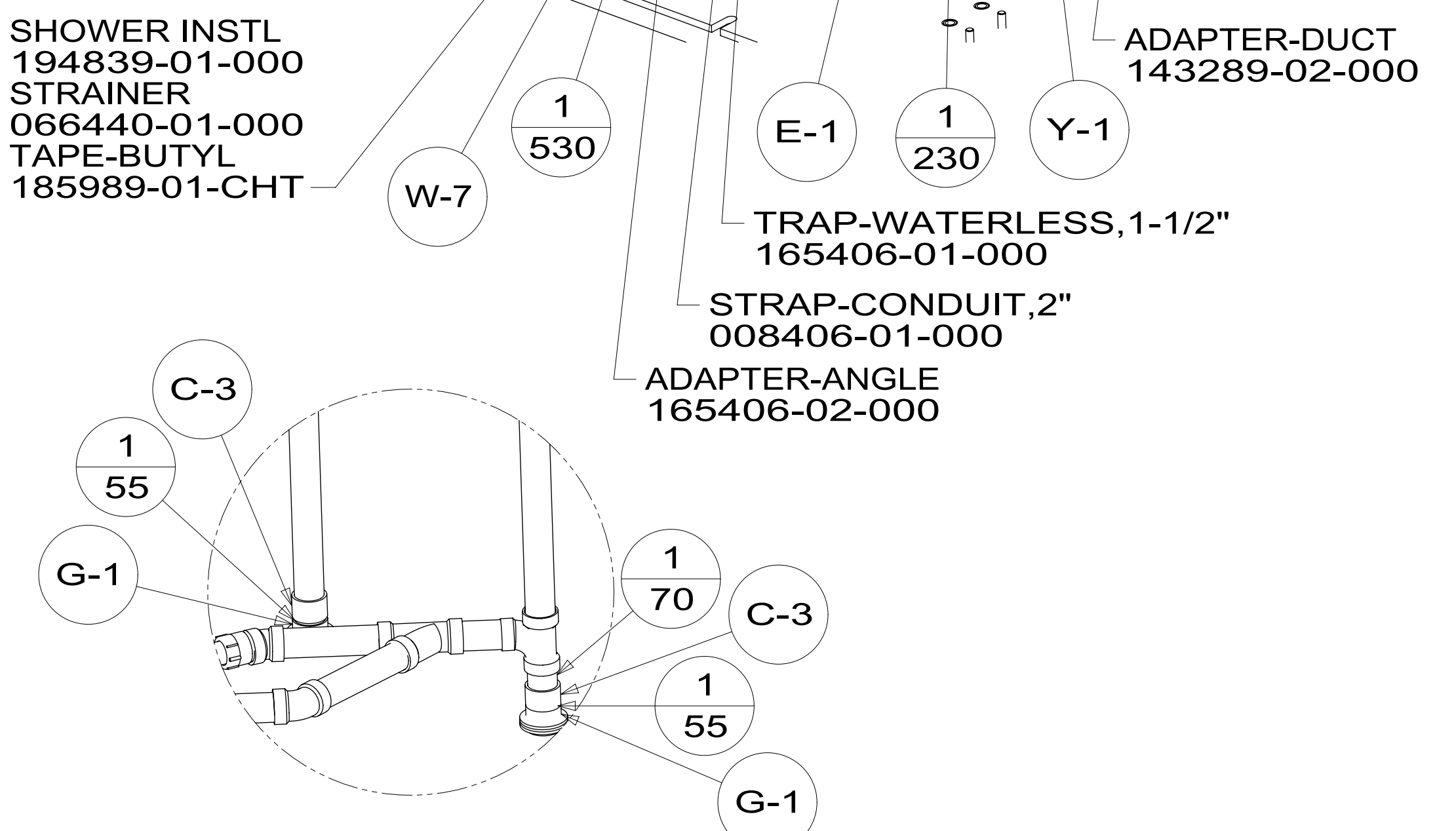
SHOWER INSTL
 194839-01-000
 STRAINER
 066440-01-000
 TAPE-BUTYL
 185989-01-CHT



DETAIL BC
 (SHOWN W/OUT CABINETS AND FLOOR)

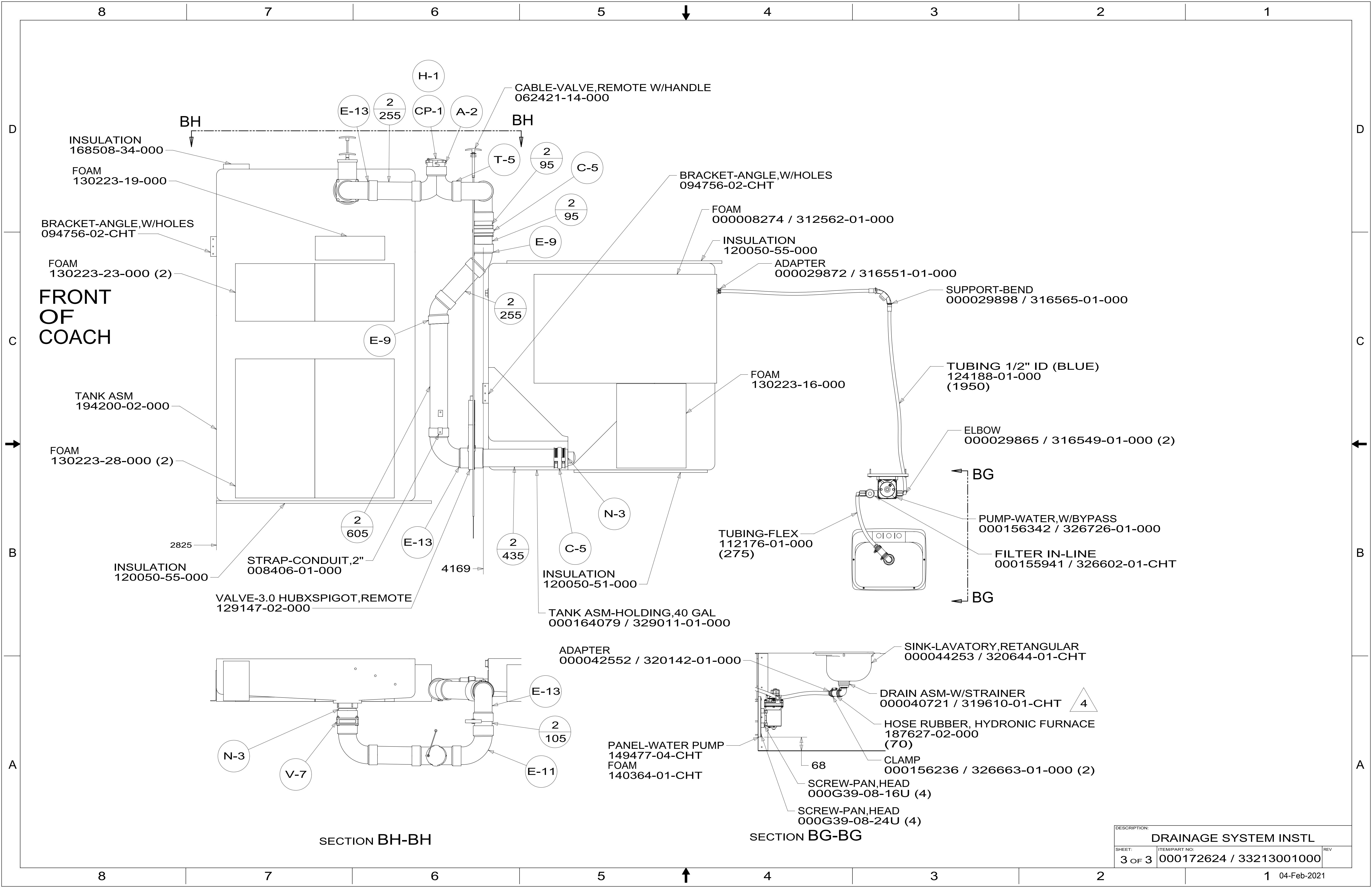


DETAIL BD
 (SHOWN W/OUT CABINETS AND FLOOR)

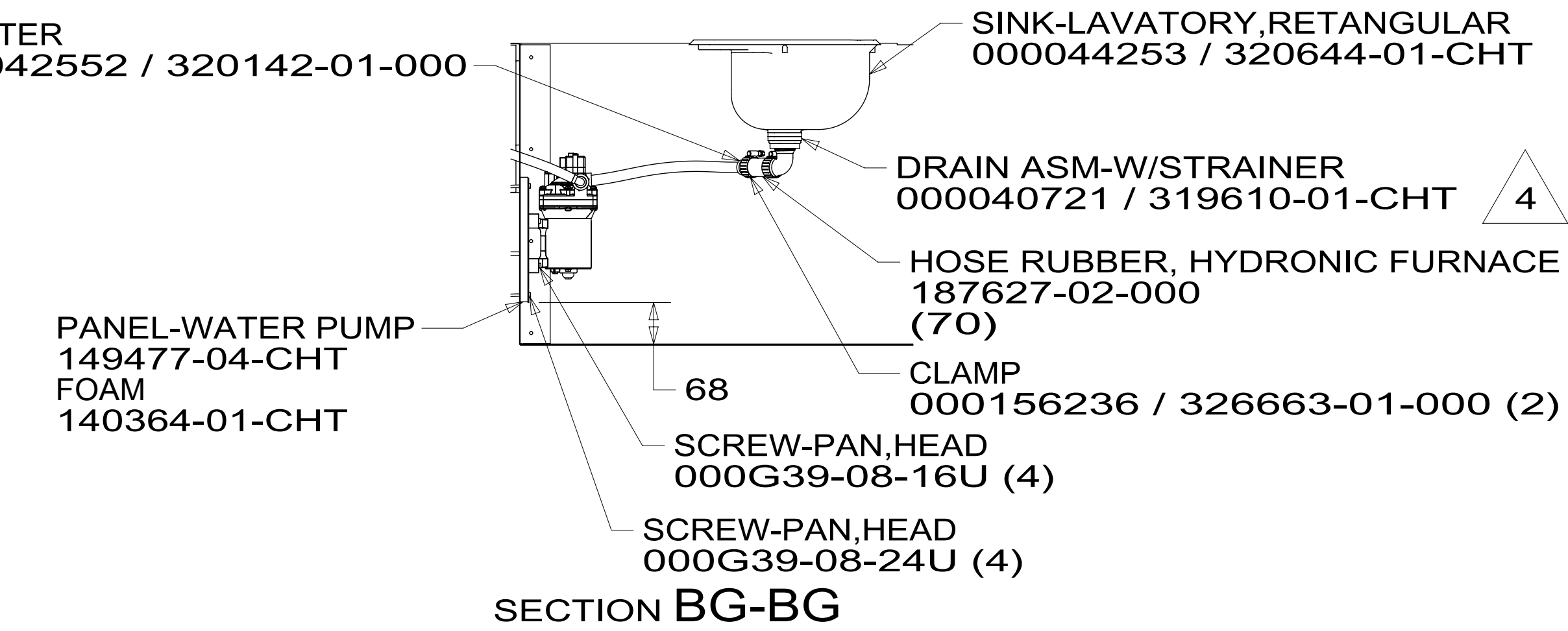
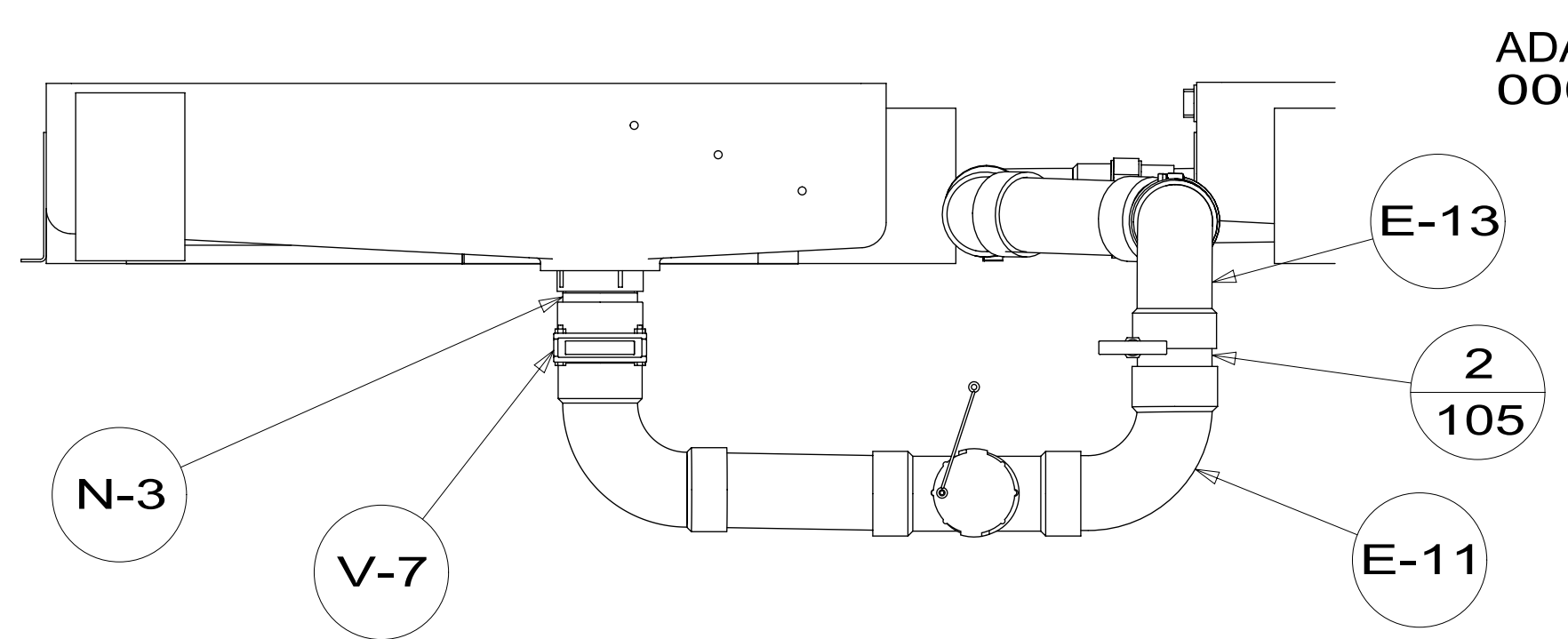
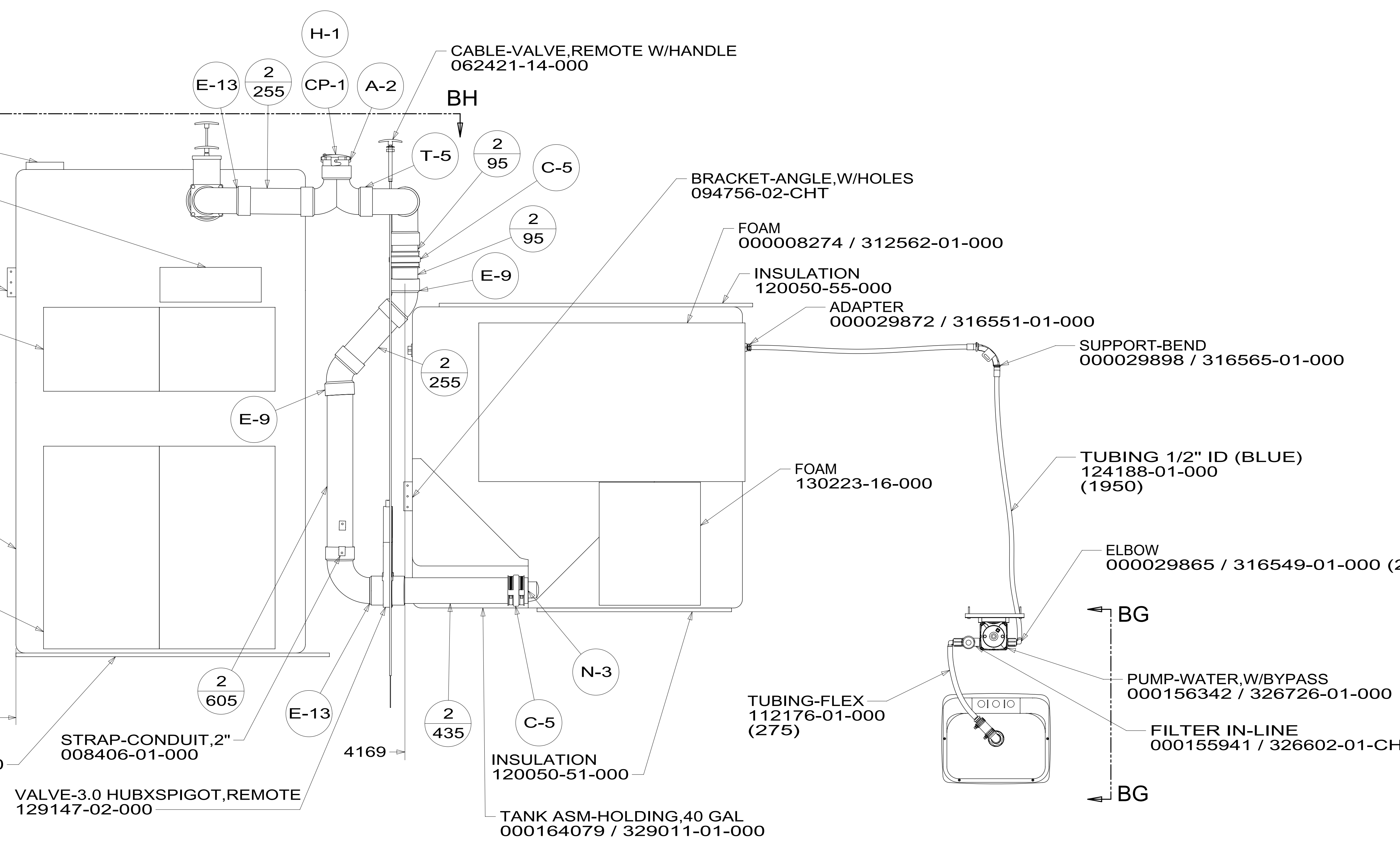


DETAIL BE
 (SHOWN W/OUT CABINETS AND FLOOR)

DESCRIPTION: DRAINAGE SYSTEM INSTL		
SHEET: 2 OF 3	ITEM/PART NO: 000172624 / 33213001000	REV



FRONT OF COACH



DESCRIPTION:		
DRAINAGE SYSTEM INSTL		
SHEET:	ITEM/PART NO:	REV
3 OF 3	000172624 / 33213001000	