

- NOTES:
1. PLASTIC FITTINGS TO BE SEALED WITH SEALANT 084456-01-000.
 2. TUBING TO BE INSTALLED WITH SUFFICIENT SLOPE TO PROVIDE DRAINAGE TO NEAREST VALVE.
 3. ALL TUBING TO BE SECURED AT 1200 INTERVALS MAXIMUM WITH CLAMP 010495-01-000 AND SCREW 000G67-10-12U OR EQUIVALENT.
 4. ADD TEFLON TAPE 010405-02-000.
 5. ADD PIPE WRAP (LADDER SCRAP 110157-02-000) INSULATION.
 6. LABEL HOT AND COLD SUPPLY TUBES AND TAPE FITTING TO TUBE BEFORE CABINET SET TO PREVENT MOVEMENT.
 7. ALL CRIMP FITTINGS TO 5/8" FLEX TUBING REQUIRE 5/8" CLAMP 000156248 / 326669-01-000.
 8. ALL CRIMP FITTINGS TO 1/2" PEX TUBING REQUIRE 1/2" CLAMP 000156249 / 326670-01-000.
 9. ALL CRIMP FITTINGS TO 3/4" PEX TUBING REQUIRE 3/4" CLAMP 000156247 / 326668-01-000.
 10. FASTEN PLATFORM TO FLOOR AFTER SIDEWALL IS SET AND HEATER IS ATTACHED TO WALL.

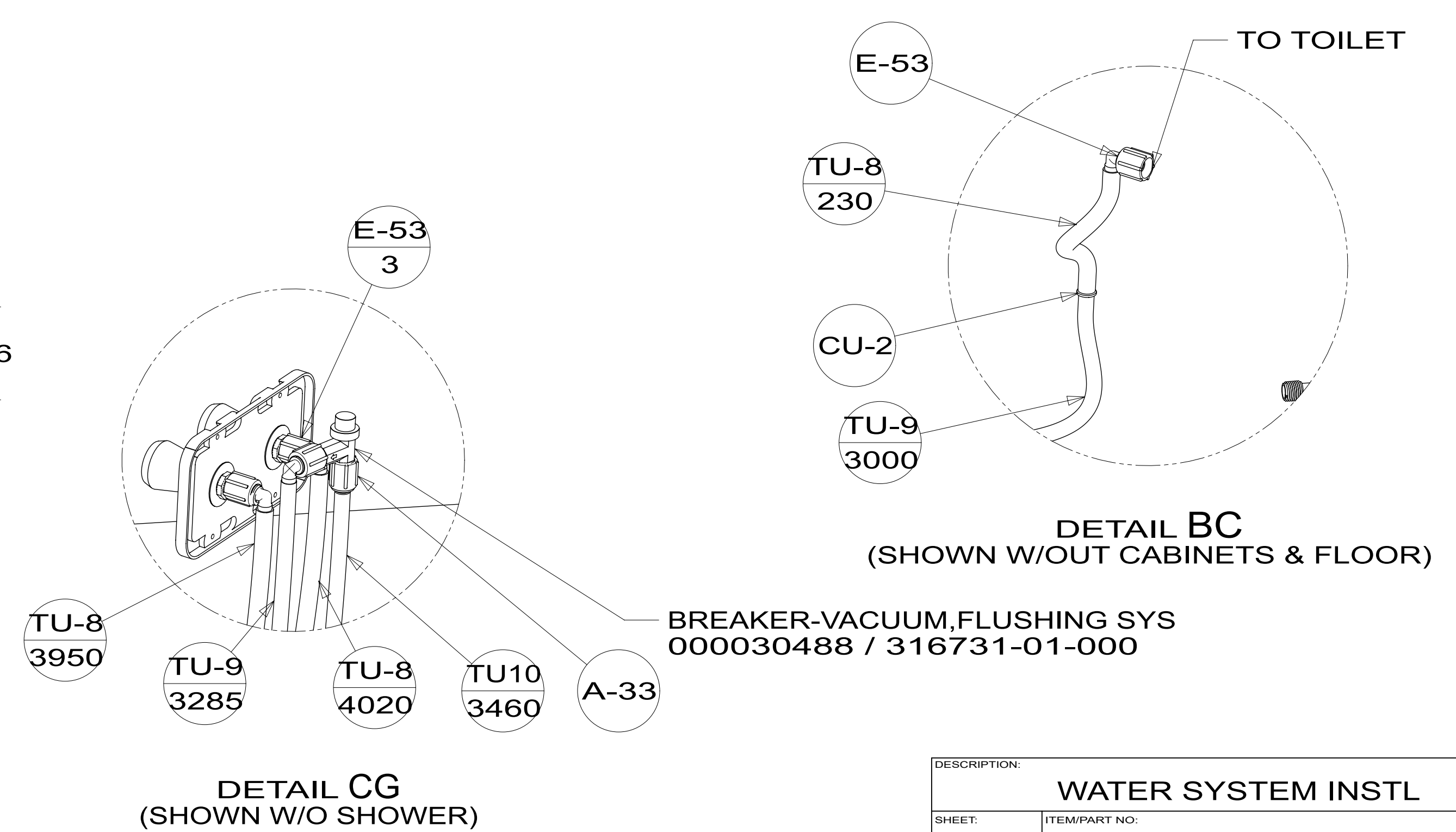
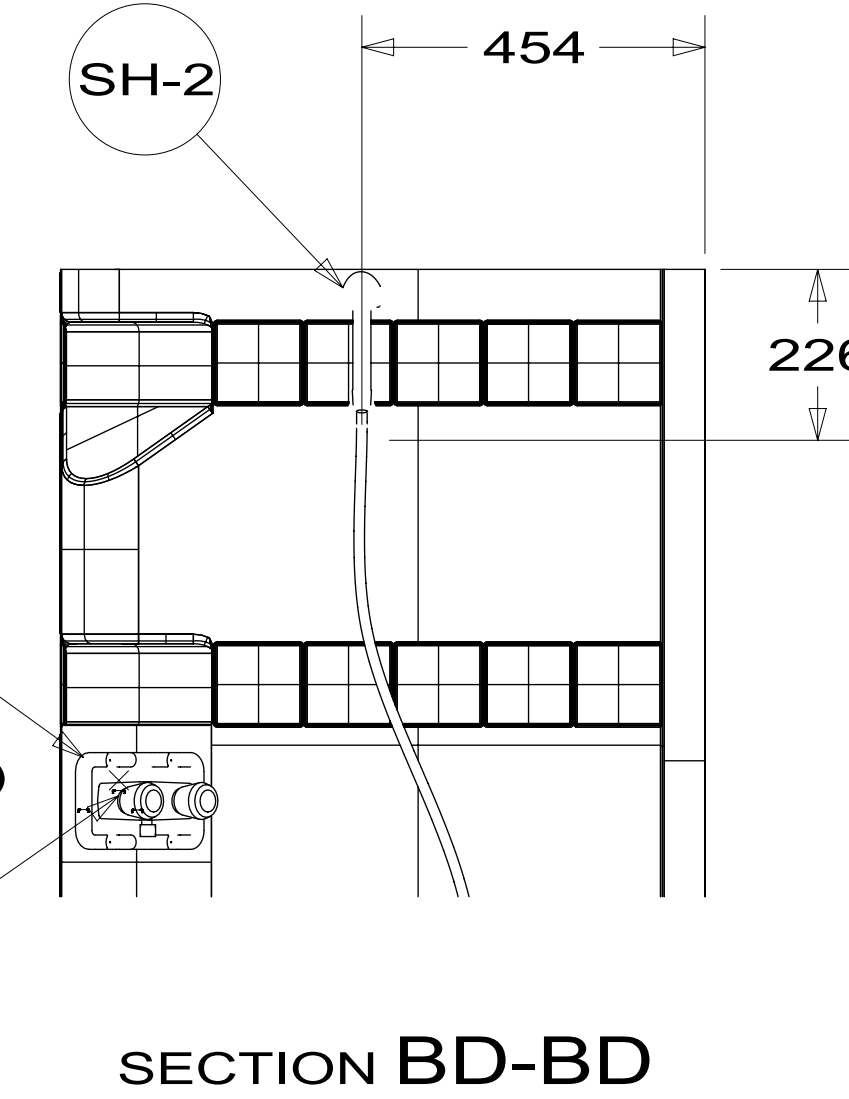
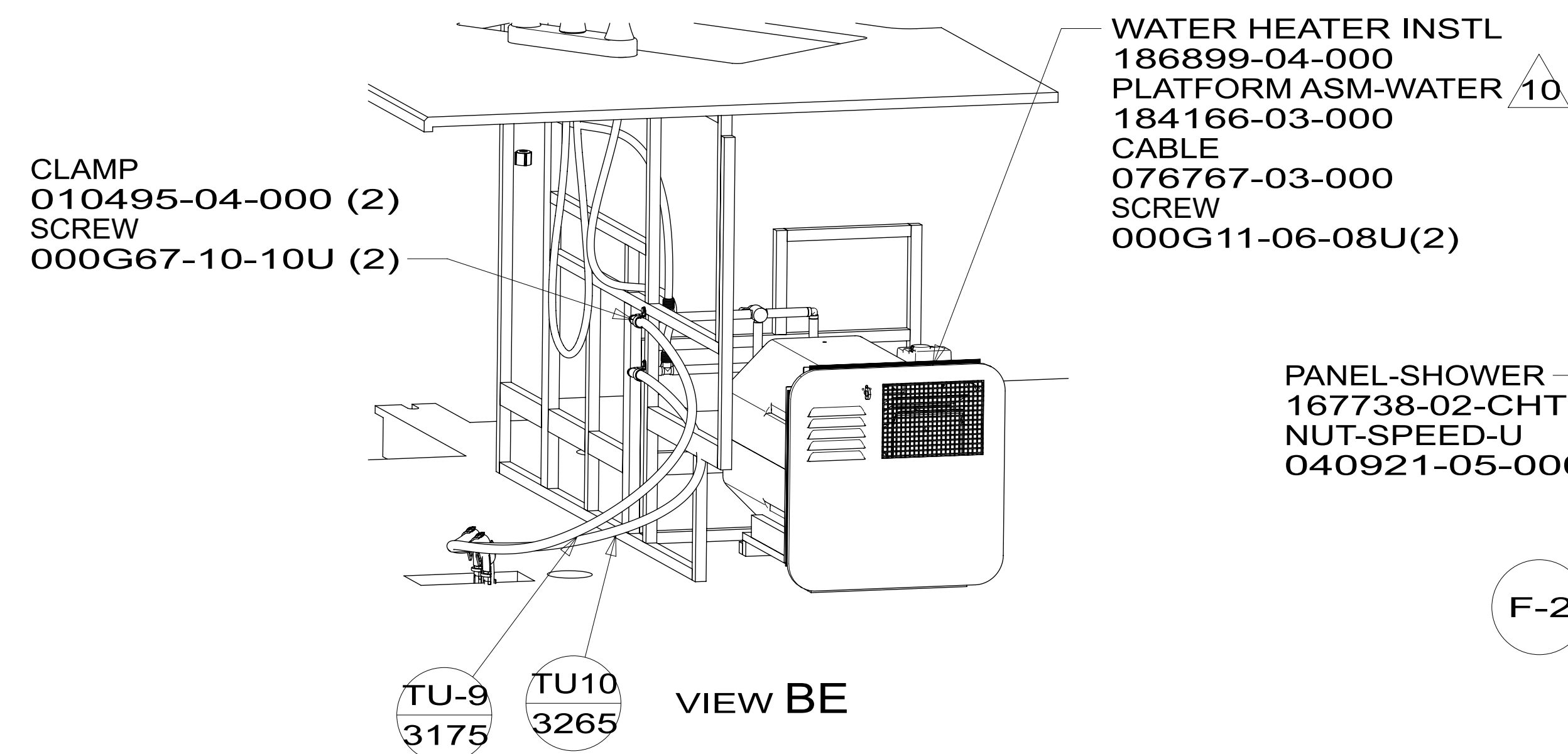
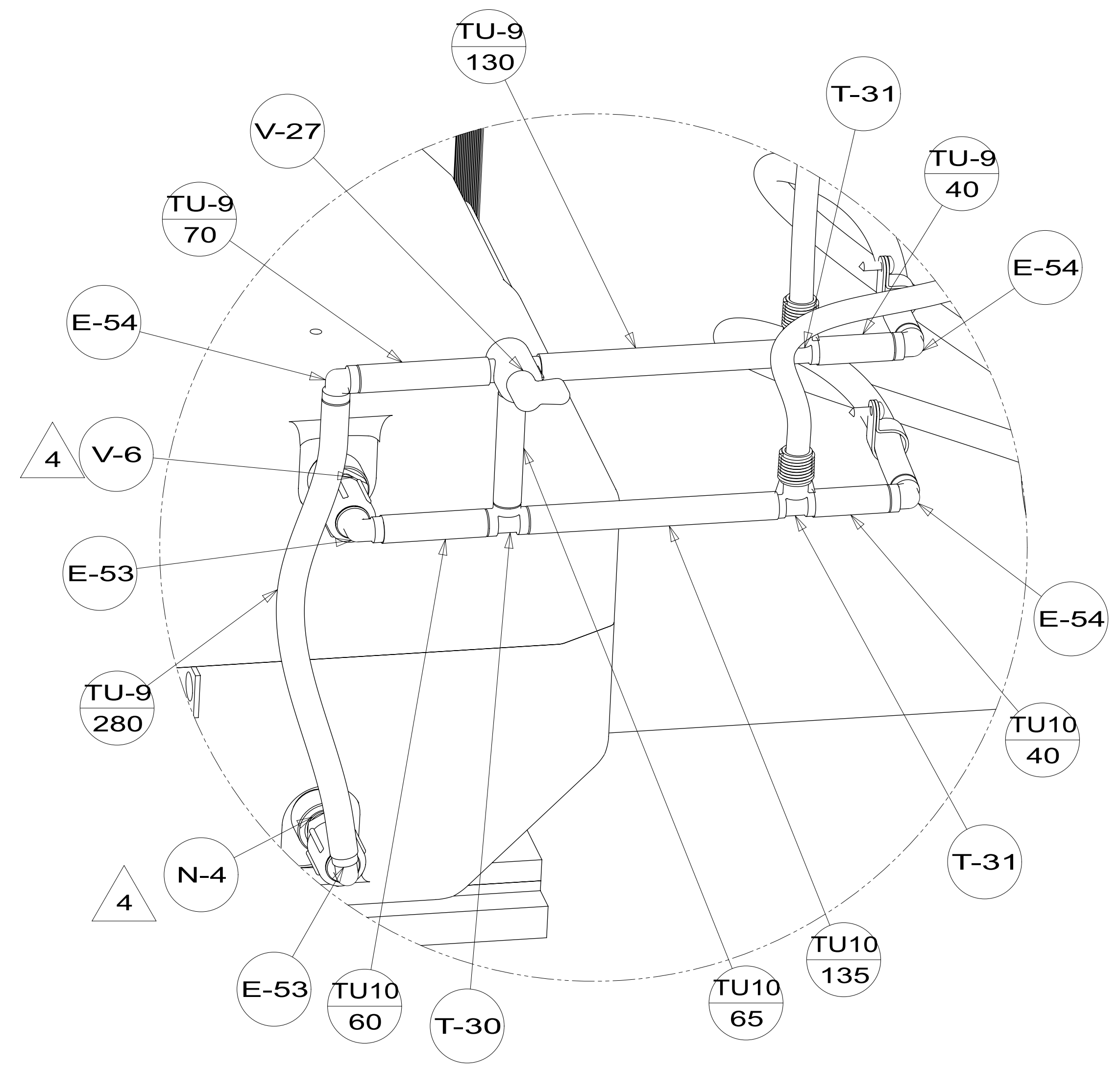
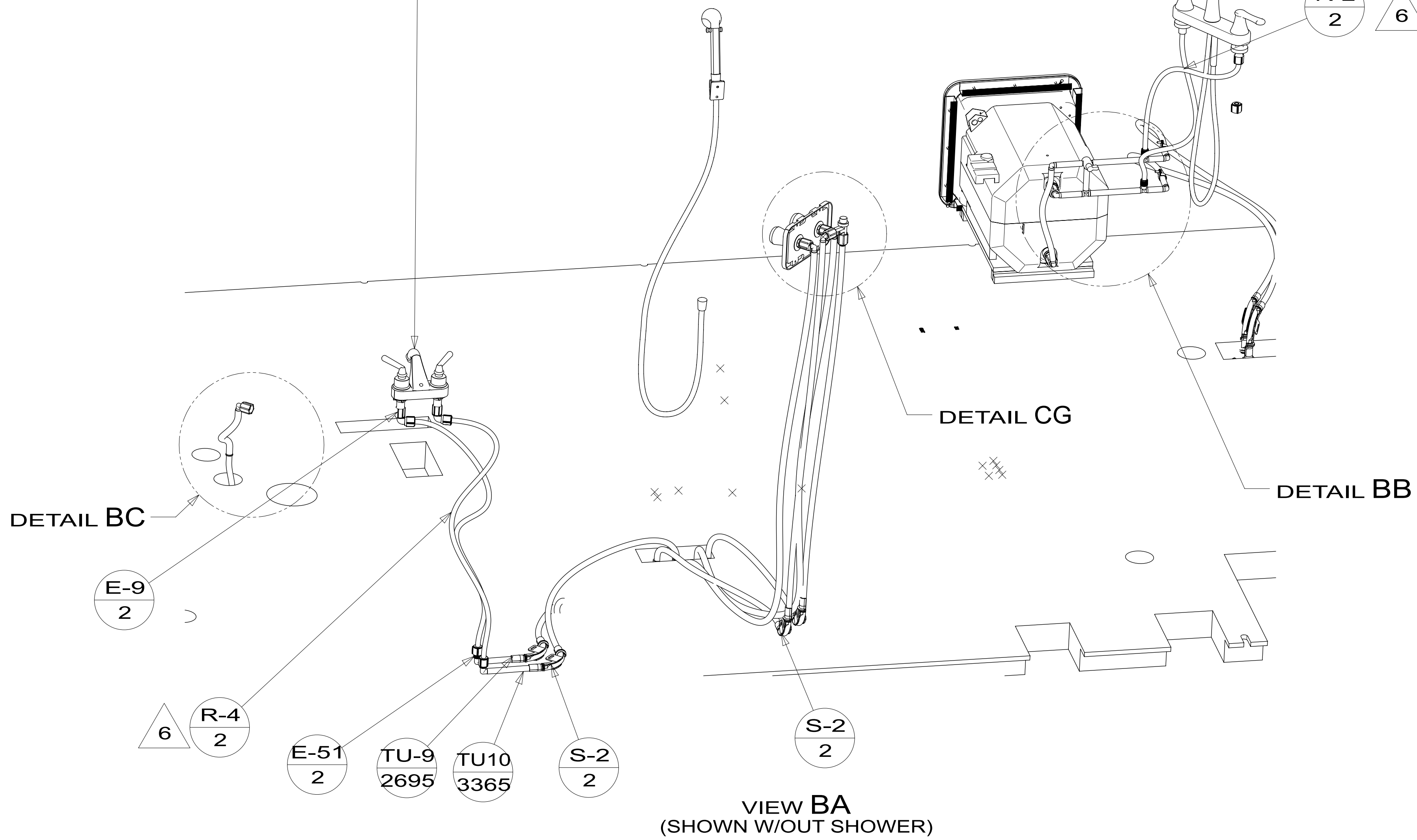
PLATE ASM-STUD
 000003494 / 310308-01-CHT
 SCREW
 000G67-10-12U (6)

SEE CHART
 FOR COLOR VARIATIONS
 OF THIS PART

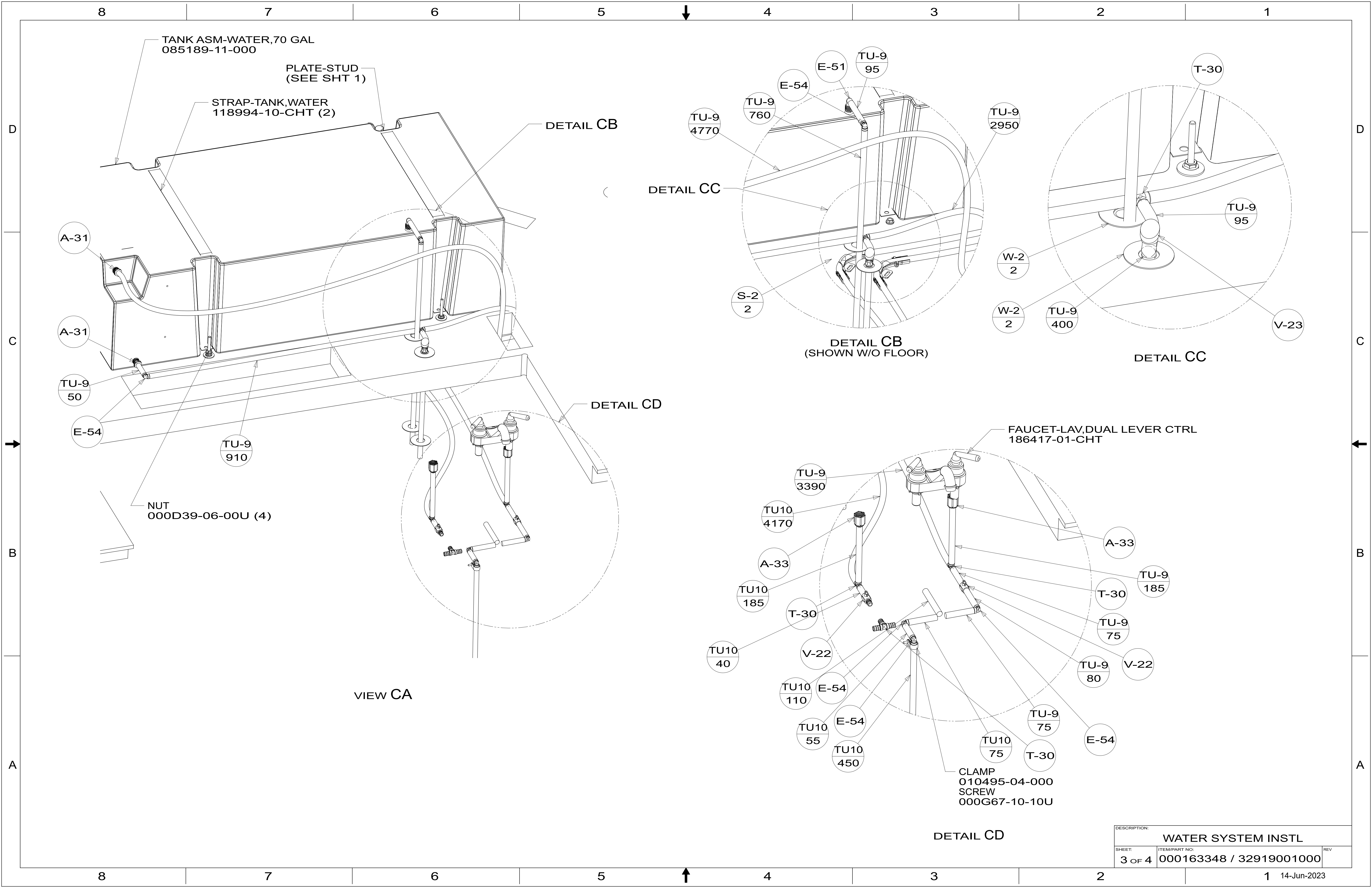
WINNEBAGO [®]		
COPYRIGHT 2023 WINNEBAGO INDUSTRIES, INC.		
DSNR:	ALL DIMENSIONS ARE IN MILLIMETERS	
DFTR:	⊕	
UNSPECIFIED TOLERANCES:	MATERIAL:	
WHOLE DIM (X) ±	3	
ONE-PLACE (X.X) ±	1.5	
TWO-PLACE (X.XX) ±	0.50	
ANGLE ±	1°	
REFER TO ES0018 FOR FASTENER TIGHTENING GUIDELINES	WEIGHT: (LBS)	FIRST USED: (REF)
		19 E31BE
DESCRIPTION: WATER SYSTEM INSTL		
SHEET:	ITEM/PART NO:	REV:
1 OF 4	000163348 / 32919001000	
REF:		1 14-Jun-2023

FAUCET-LAV,DUAL LEVER CTRL
186417-01-CHT

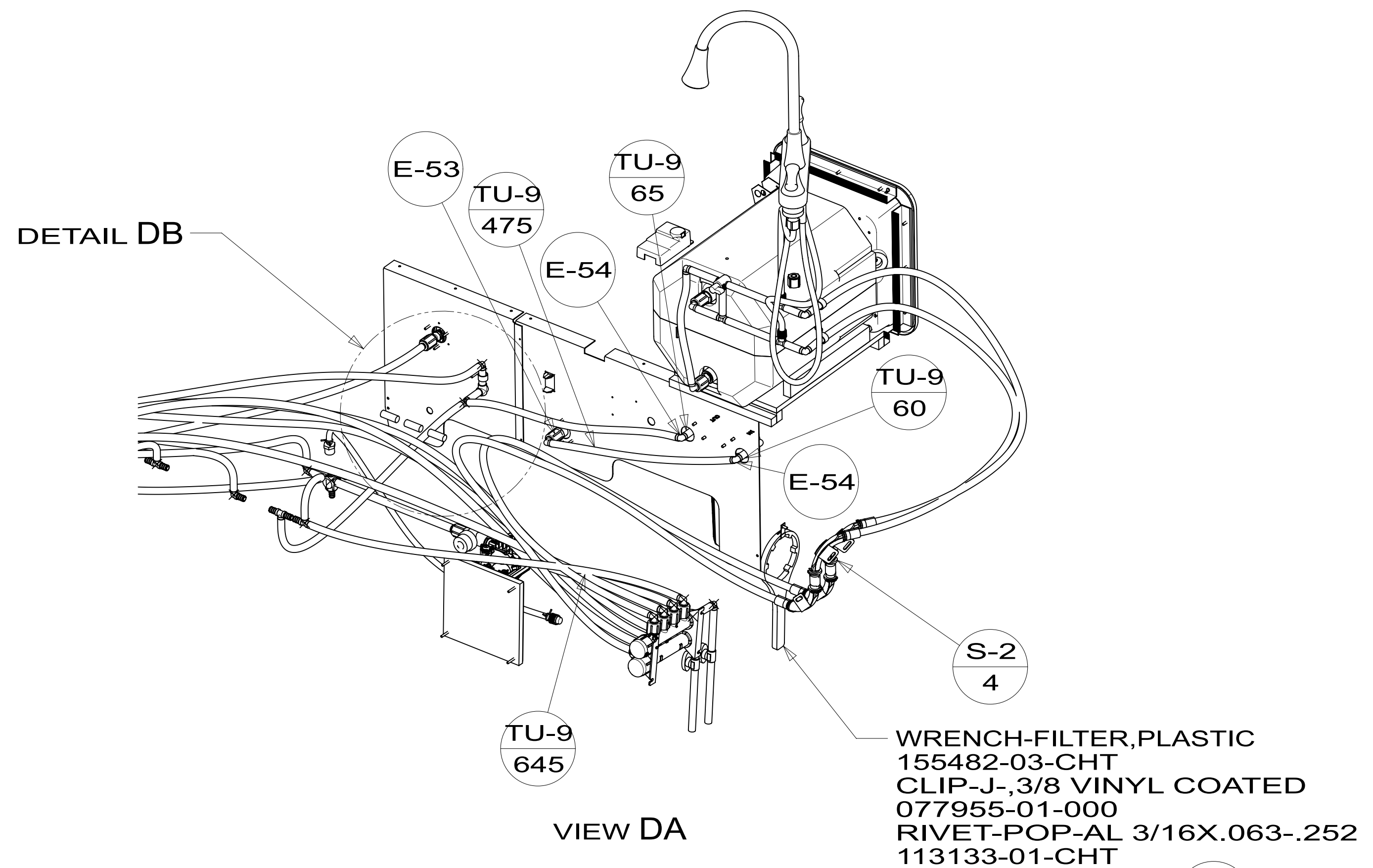
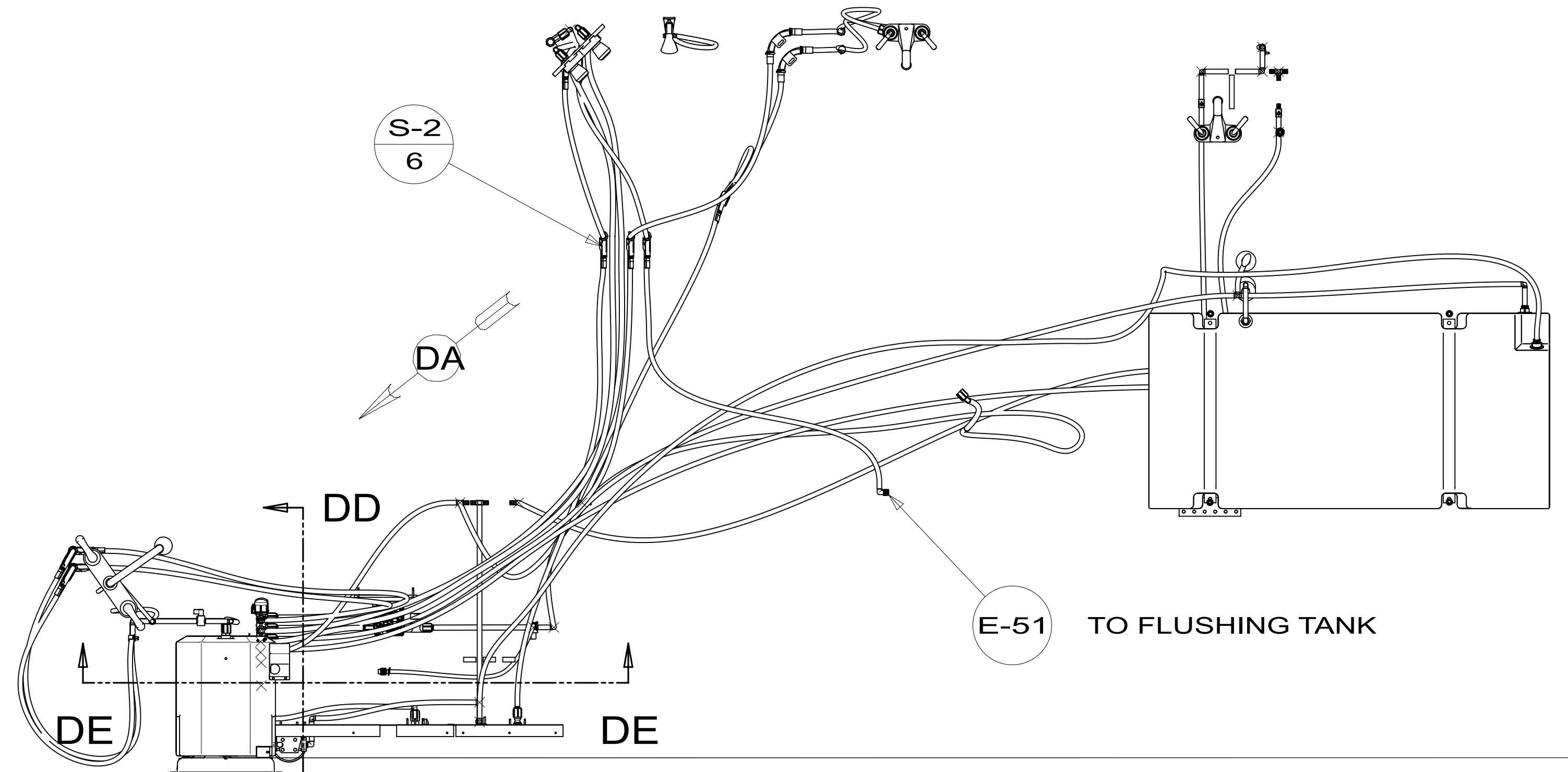
FAUCET-GALLEY,DUAL CONTROL W/PULL
000041434 / 319747-01-CHT



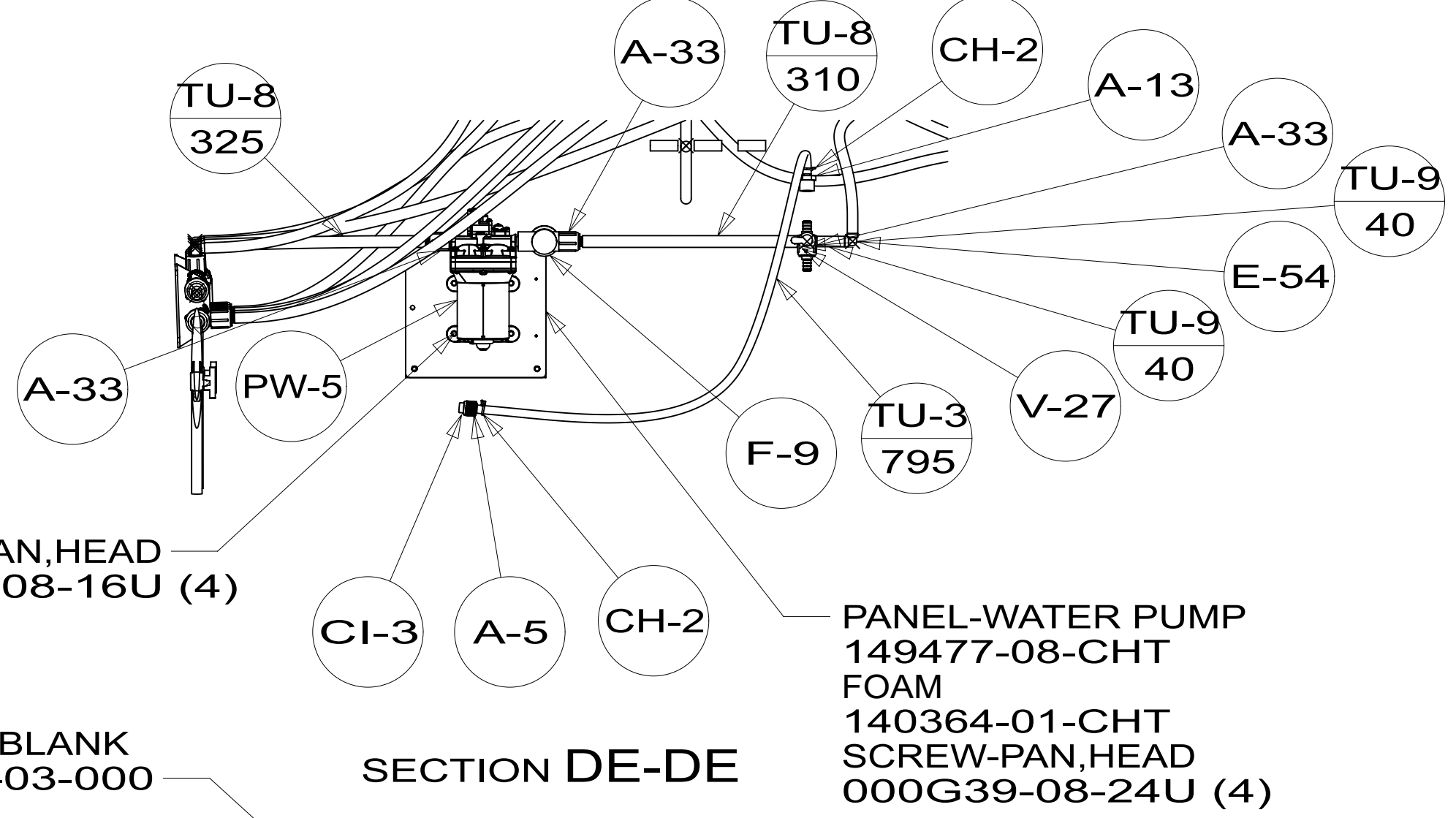
DESCRIPTION: WATER SYSTEM INSTL		
SHEET: 2 OF 4	ITEM/PART NO: 000163348 / 32919001000	REV
		14-Jun-2023



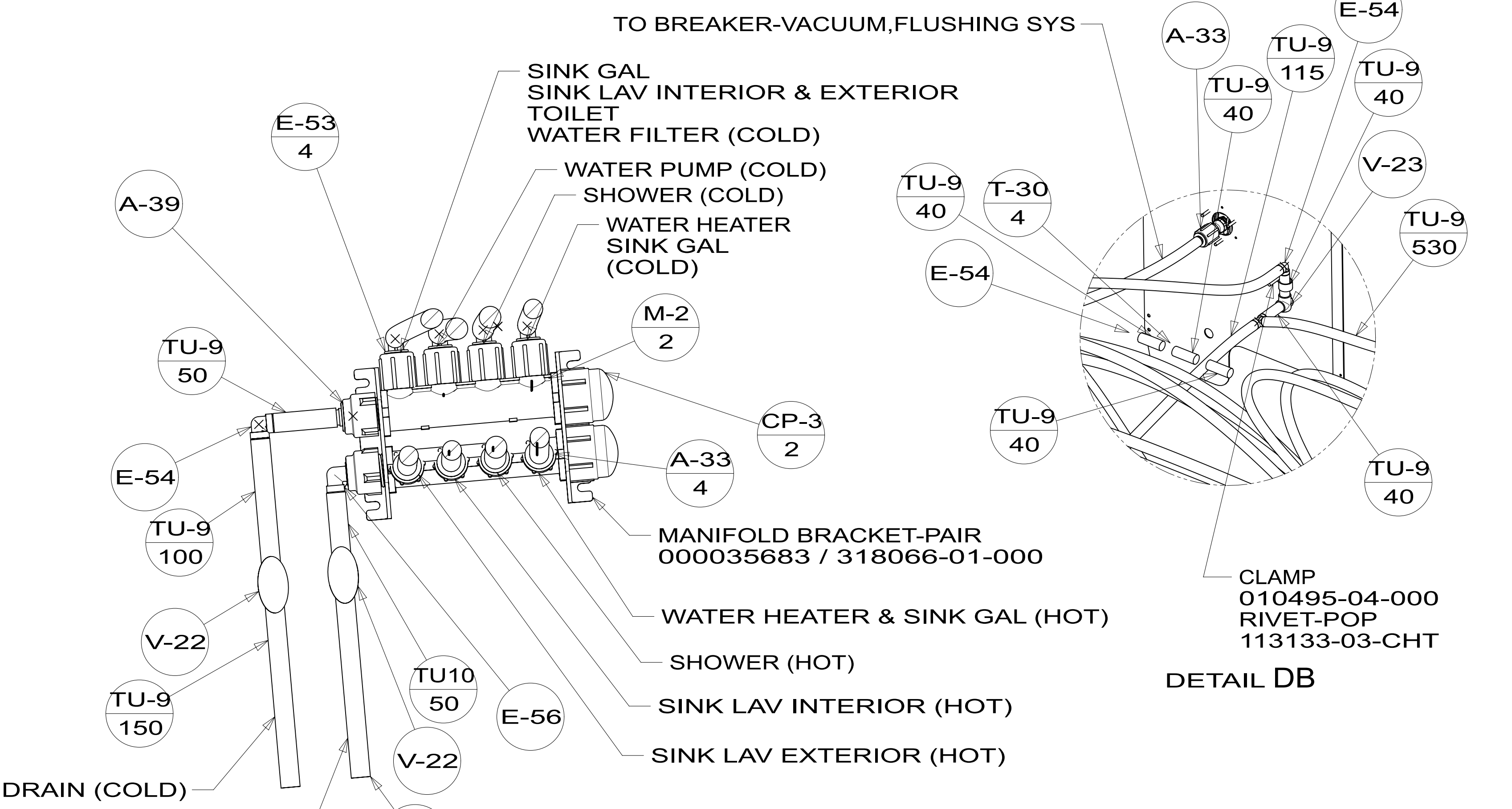
DESCRIPTION:		
WATER SYSTEM INSTL		
SHEET:	ITEM/PART NO.:	REV
3 OF 4	000163348 / 32919001000	



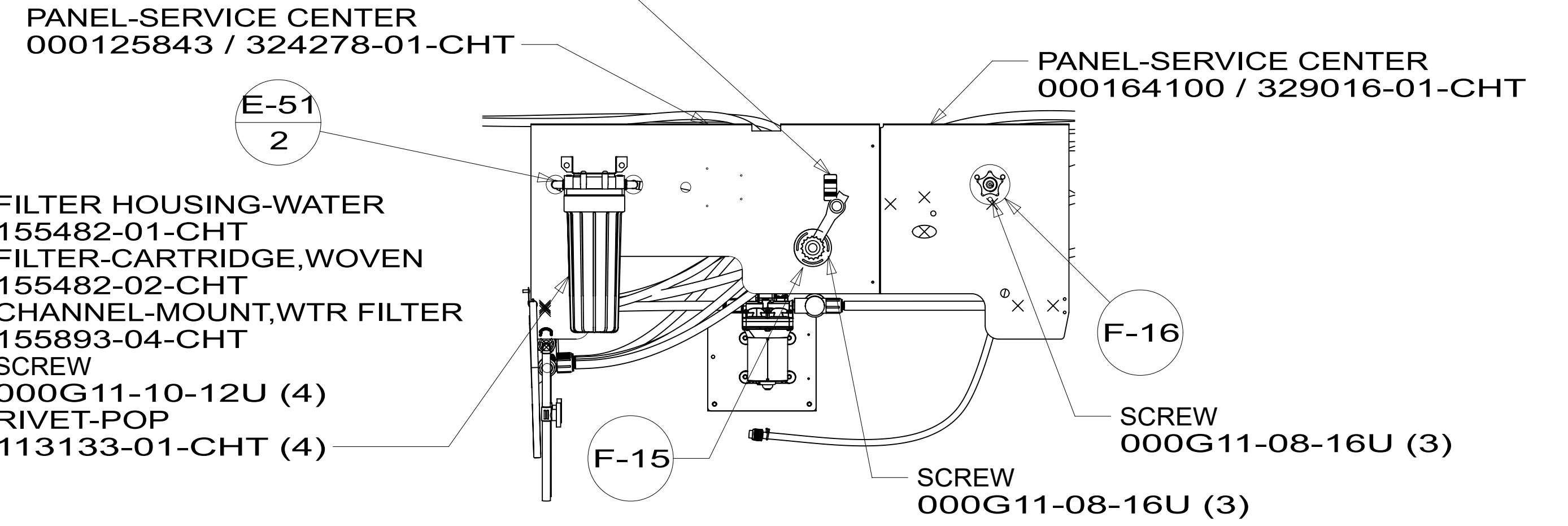
VIEW FROM ABOVE
(W/O FLOOR, CABINETS & SHOWER)



SECTION DE-DE



SECTION DD-DD



SECTION DC-DC

DESCRIPTION:		
WATER SYSTEM INSTL		
SHEET:	ITEM/PART NO.:	REV
4 OF 4	000163348 / 32919001000	