

FRONT OF COACH

DATUM CORNER OF FLOOR

- 9. PLACE PLYWOOD UNDER SHOWER AS REQUIRED.
- 8. SECURE DRAINAGE PIPES TO CABINET USING WIRE TIE 108046-02-000, AND SCREW 000G67-10-12U AT INTERVALS OF NOT MORE THAN 4 FEET APART.
- 7. SECURE VENT PIPE TO FLOOR WITH CLAMP 000156237 / 326663-02-000 (2), SCREW 000G67-10-12U (2), BRACKET 136878-01-CHT (2).
- 6. VENT PIPE MUST PROJECT 51 MIN AND 64 MAX ABOVE ROOF FOR PROPER FIT AND FUNCTION. ADD S-1 (000156099 / 326607-01-CHT SEAL-VENT CAP) AROUND PIPE ON ROOF BEFORE VENT CAP IS INSTALLED.
- 5. SEAL AROUND SHOWER WITH SILICONE.
- 4. USE SMOOTH PLUMBERS PUTTY 167459-01-000 TO SEAL STRAINER (0.2 PER STRAINER).
- 3. ALL PIPE AND FITTINGS TO BE ASSEMBLED WITH SOLVENT 004020-01-000 (USA), 004020-02-000 (CAN)
- 2. SLOPE OF TRAP ARM MUST BE 6 PER 305 mm.
- 1. SLOPE OF HORIZONTAL PIPING TO BE MINIMUM OF 3 PER 305 mm.

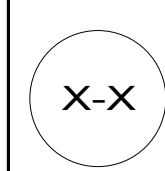
NOTES:

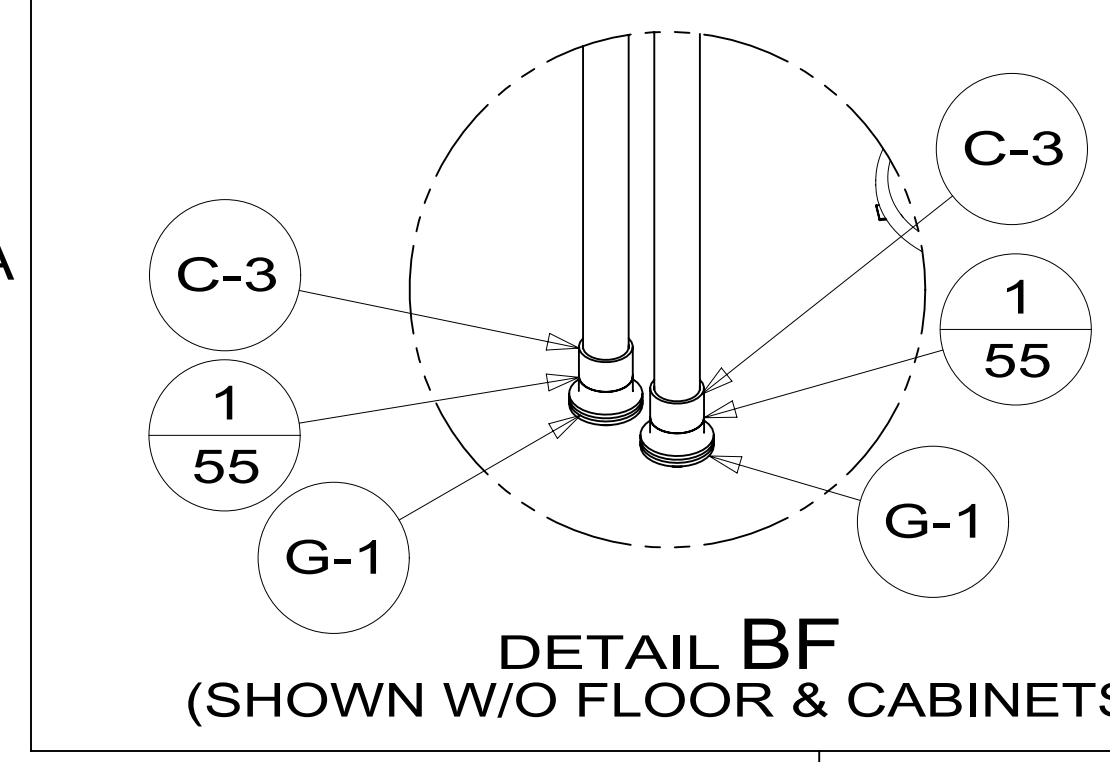
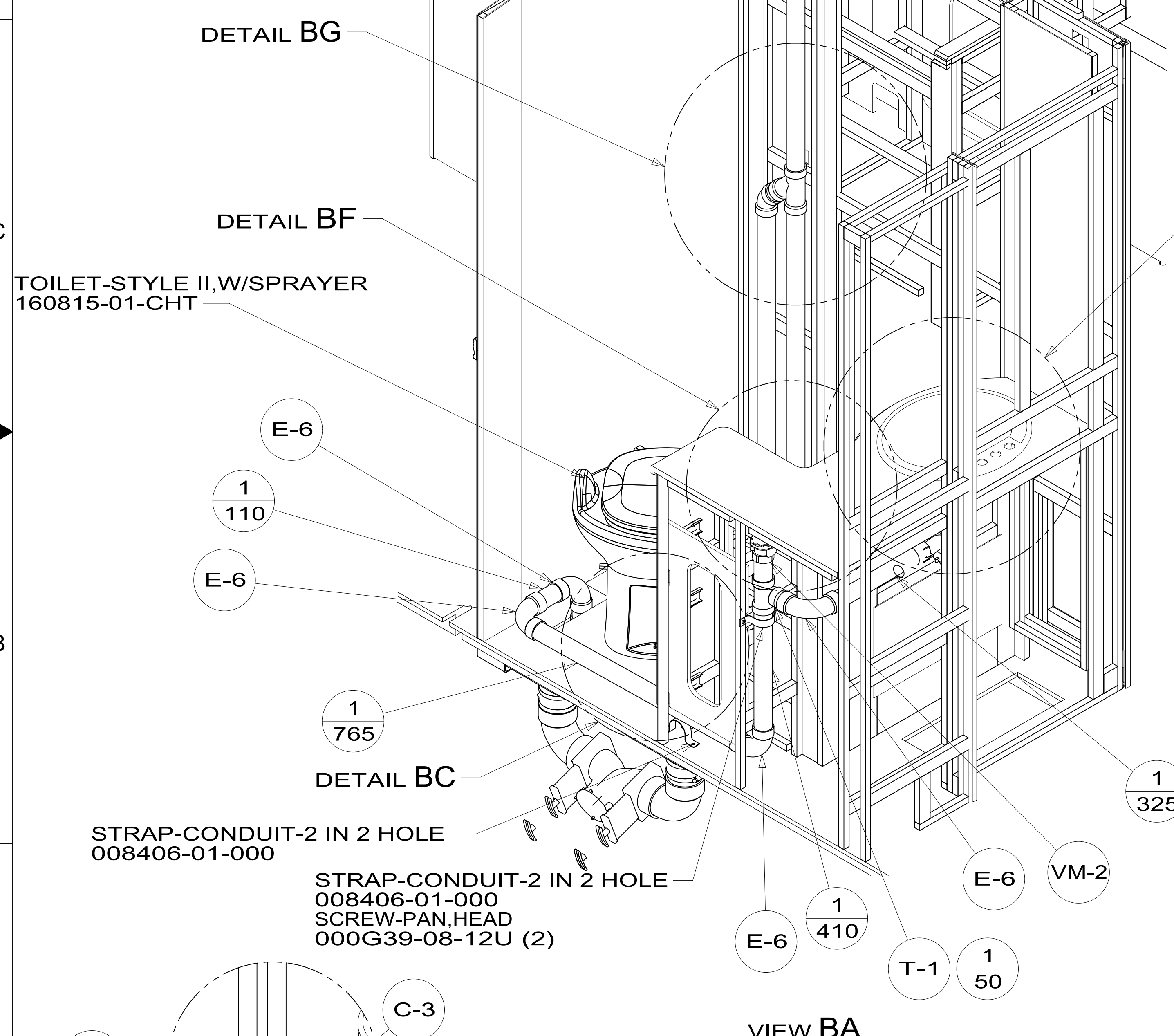
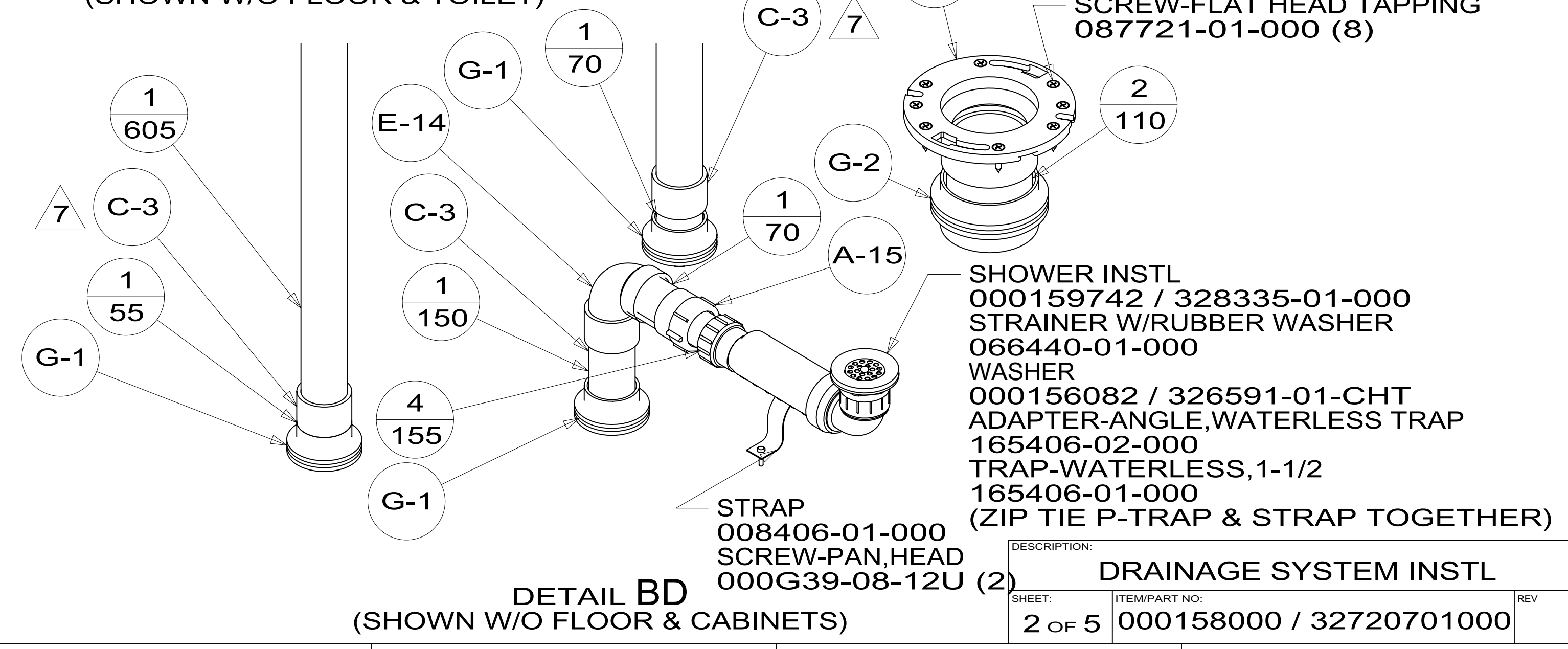
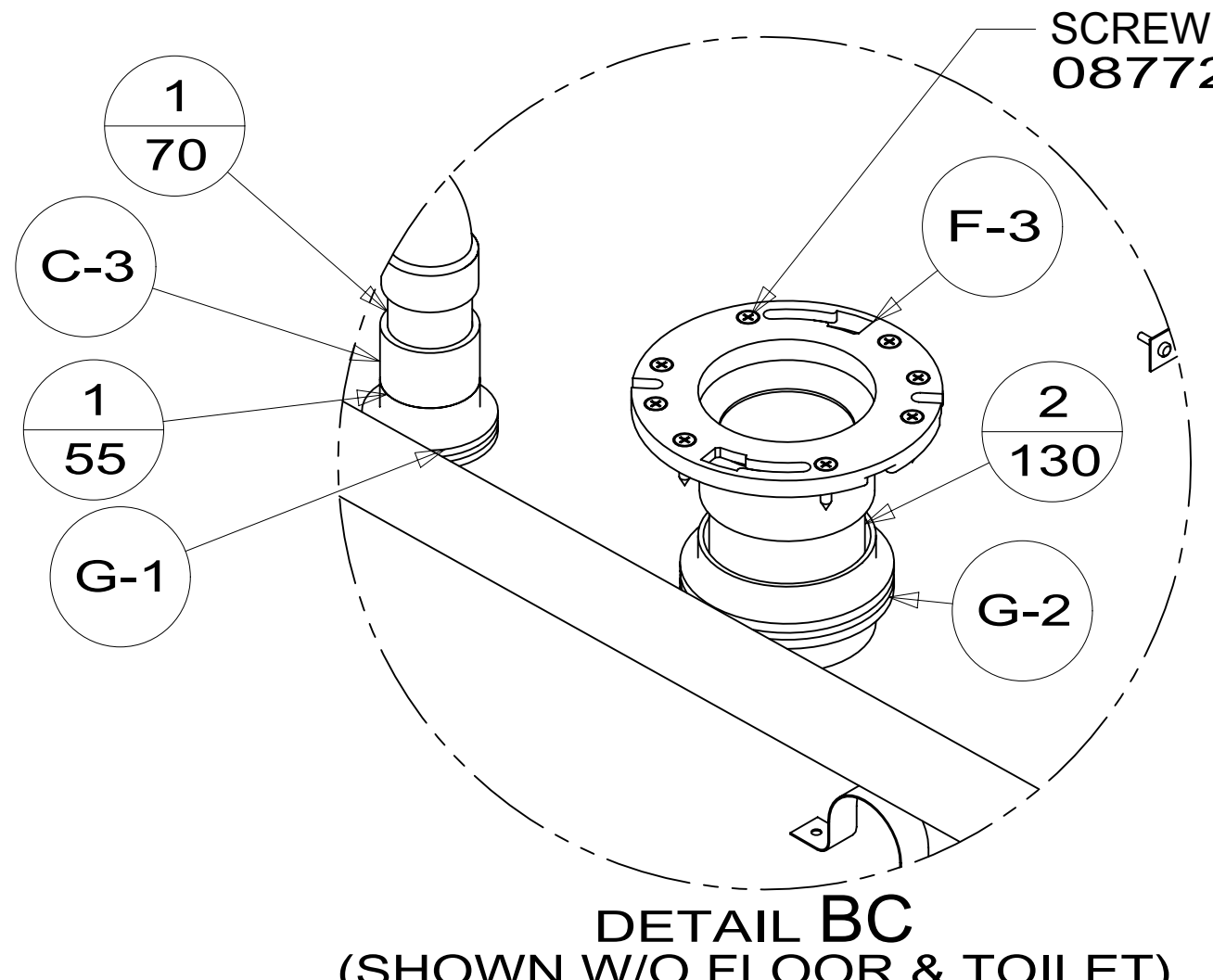
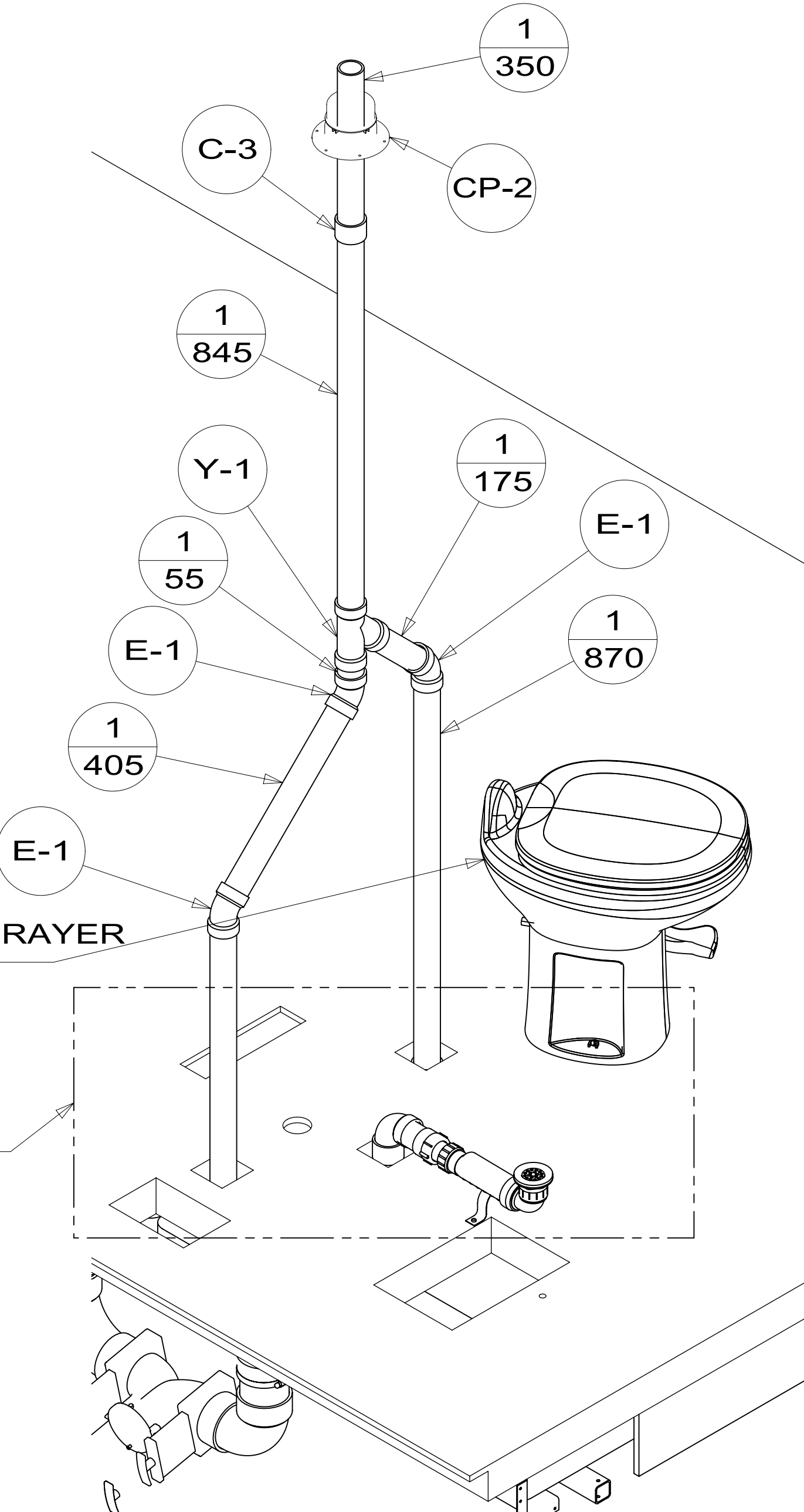
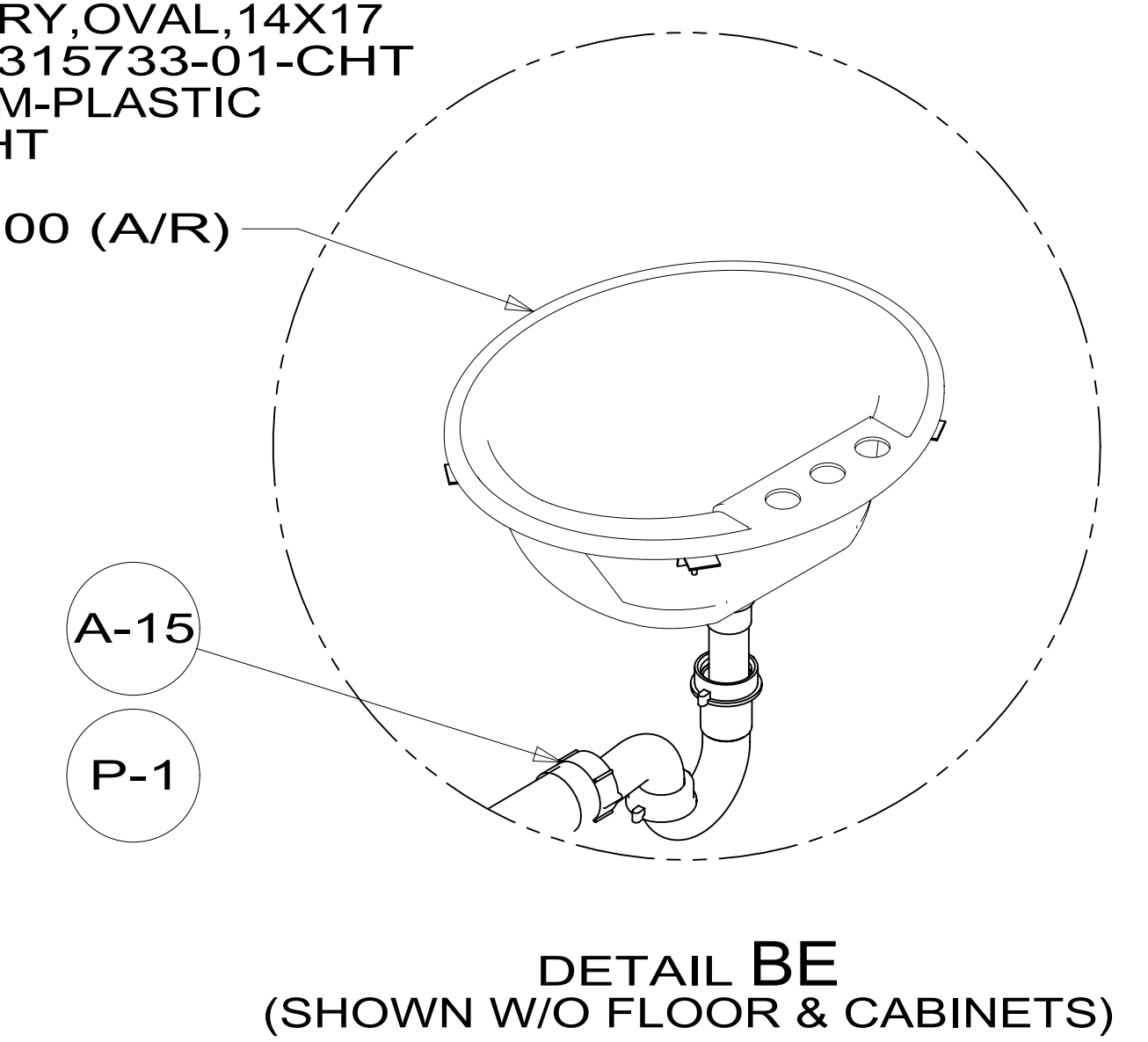
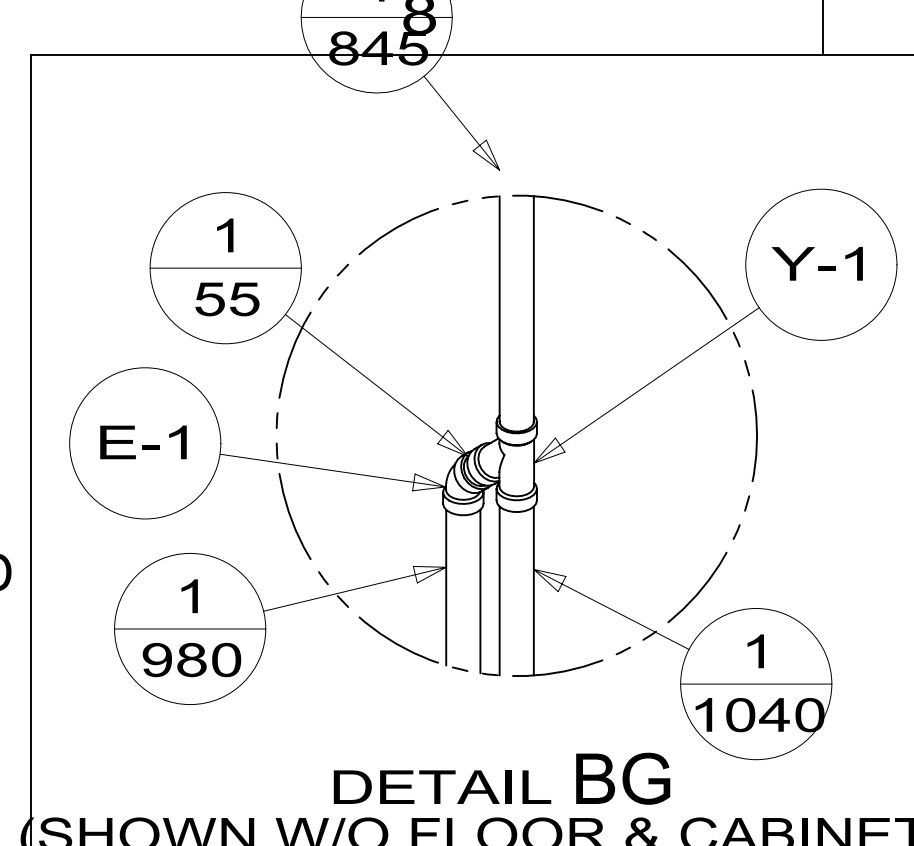
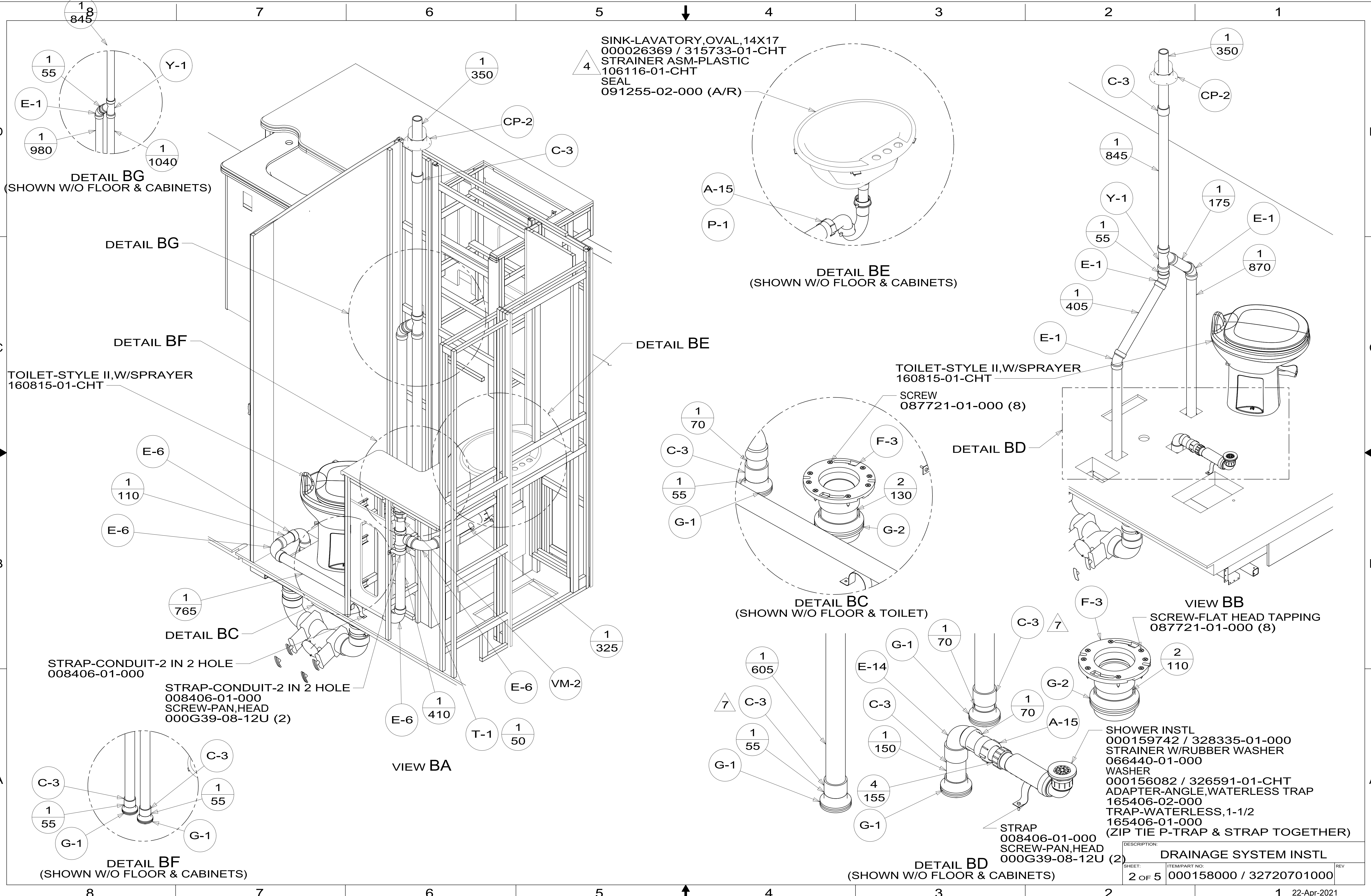
21M WASHER/DRYER PREP



DSNR:		ALL DIMENSIONS ARE IN MILLIMETERS	
DIFFR:		MATERIAL:	
UNSPECIFIED TOLERANCES:			
WHOLE DIM (X)	3		
ONE-PLACE (X.X)	1.5		
TWO-PLACE (X.XX)	0.50		
ANGLE	1°		
REFER TO ES0018 FOR FASTENER TIGHTENING GUIDELINES		WEIGHT: (LBS)	FIRST USED: (REF)
			19 F36Z
DESCRIPTION: DRAINAGE SYSTEM INSTL			
SHEET:	ITEM/PART NO:	REV	
1 OF 5	000158000 / 32720701000		

FOR DRAINAGE CALLOUTS SEE DWG NO. 000211962 / 303370-01-000





8 7 6 5 4 3 2 1

D

C

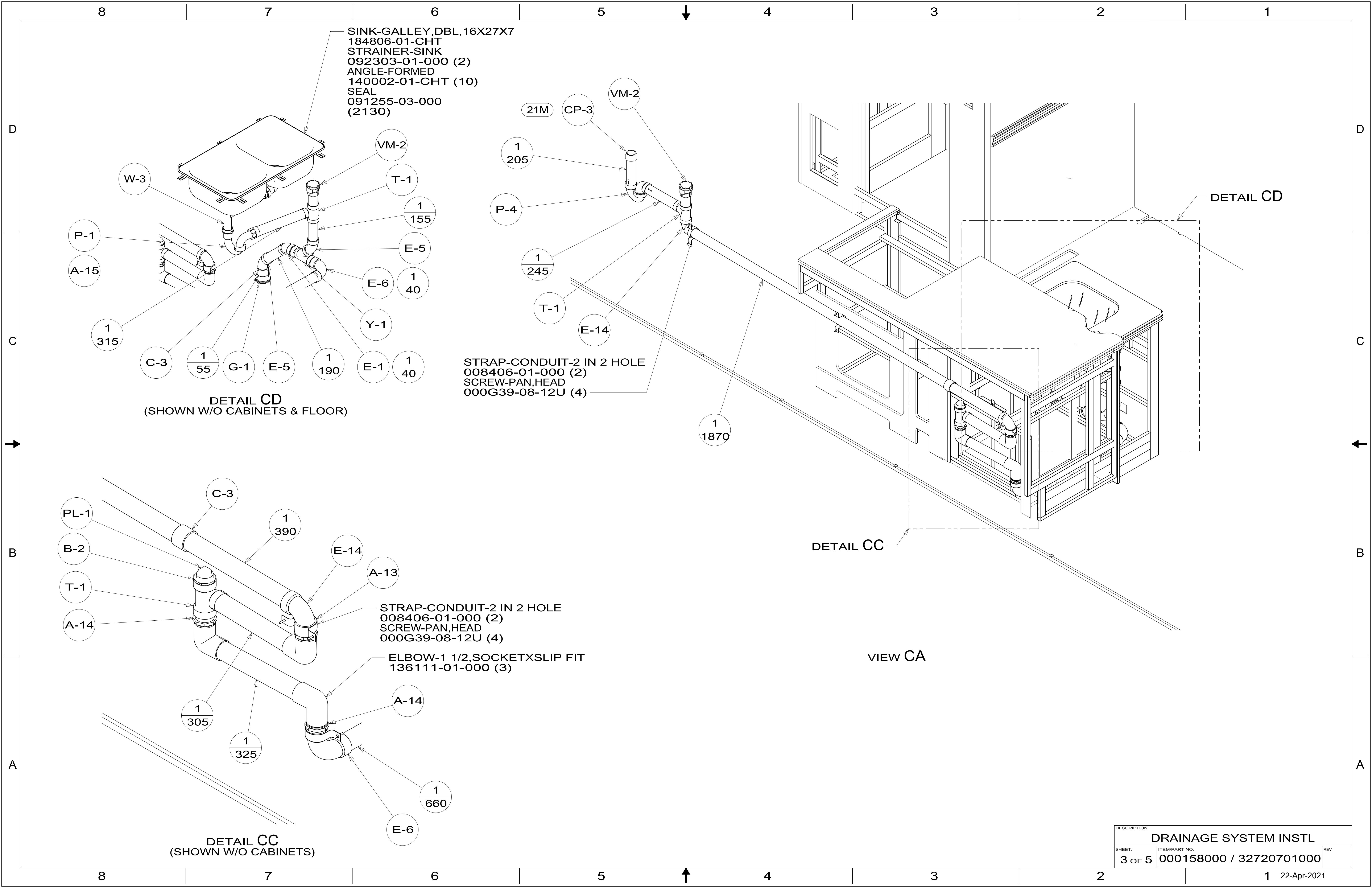
B

A

8 7 6 5 4 3 2 1

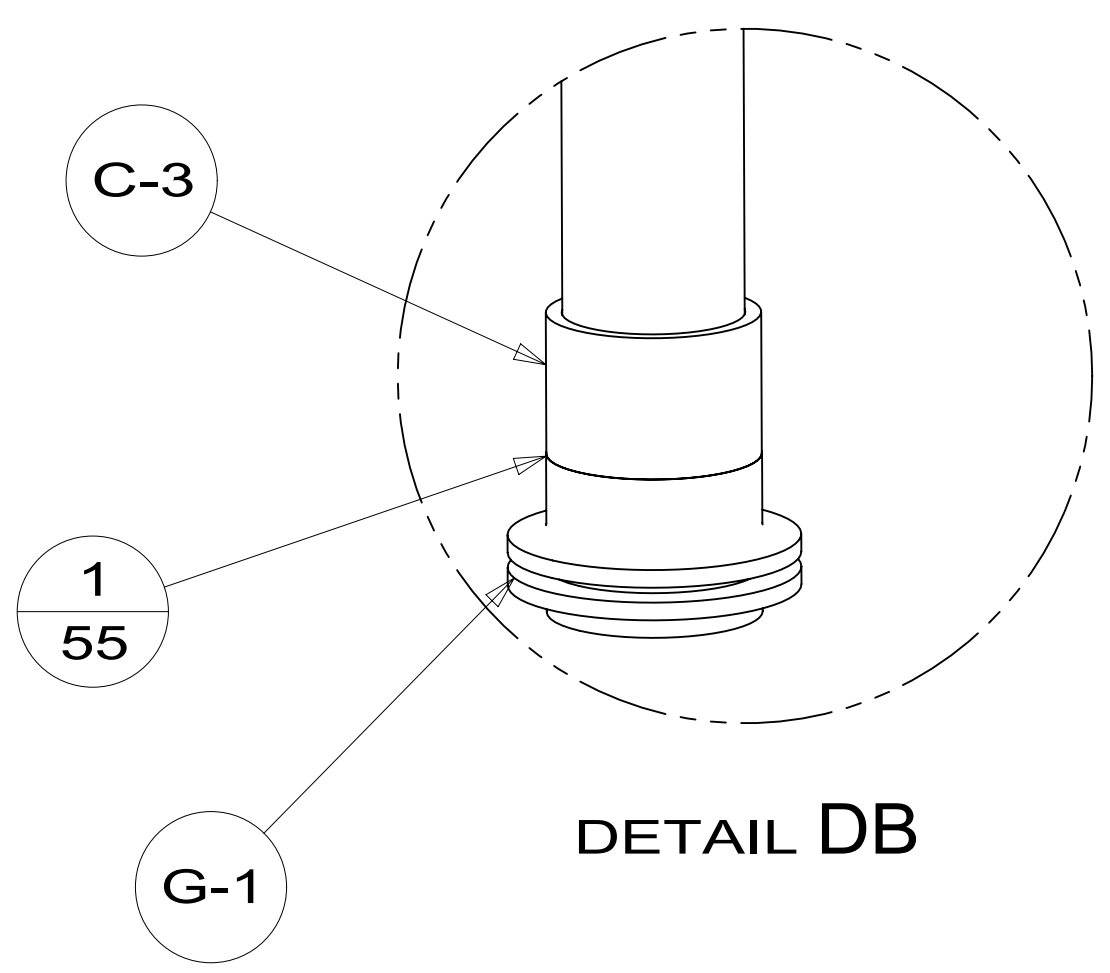
↑

↓



SINK-LAVATORY, OVAL, 14X17  
 00026369 / 315733-01-CHT  
 STRAINER ASM-PLASTIC  
 106116-01-CHT  
 SEAL  
 091255-02-000 (A/R)

- VM-2
- T-1
- 1  
90
- P-1
- A-15
- 1  
625

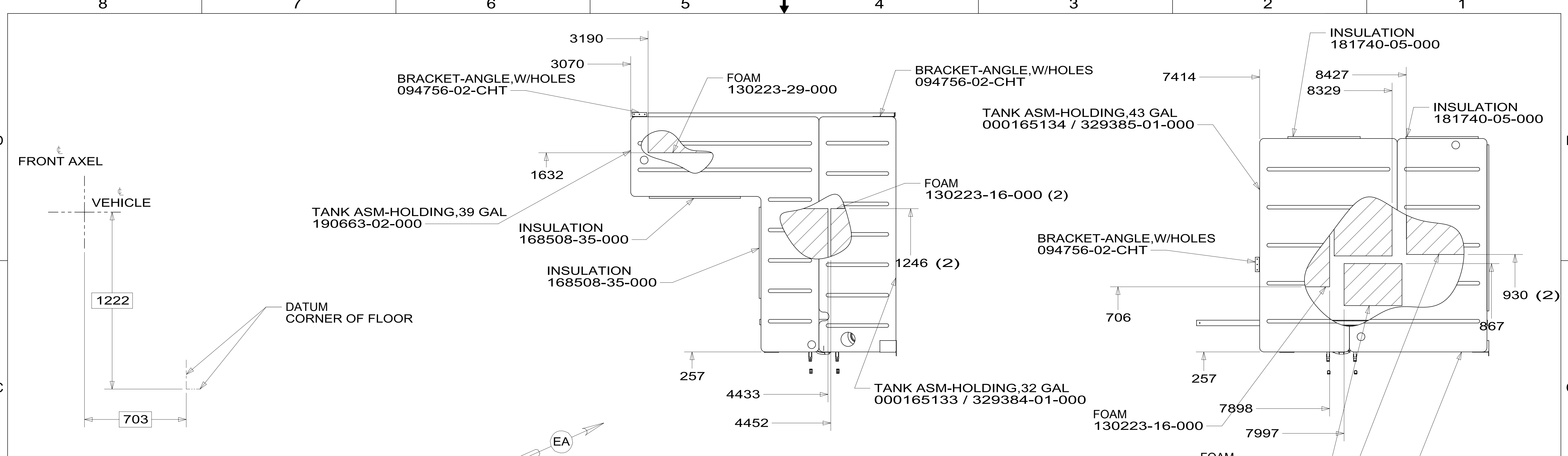


DETAIL DB

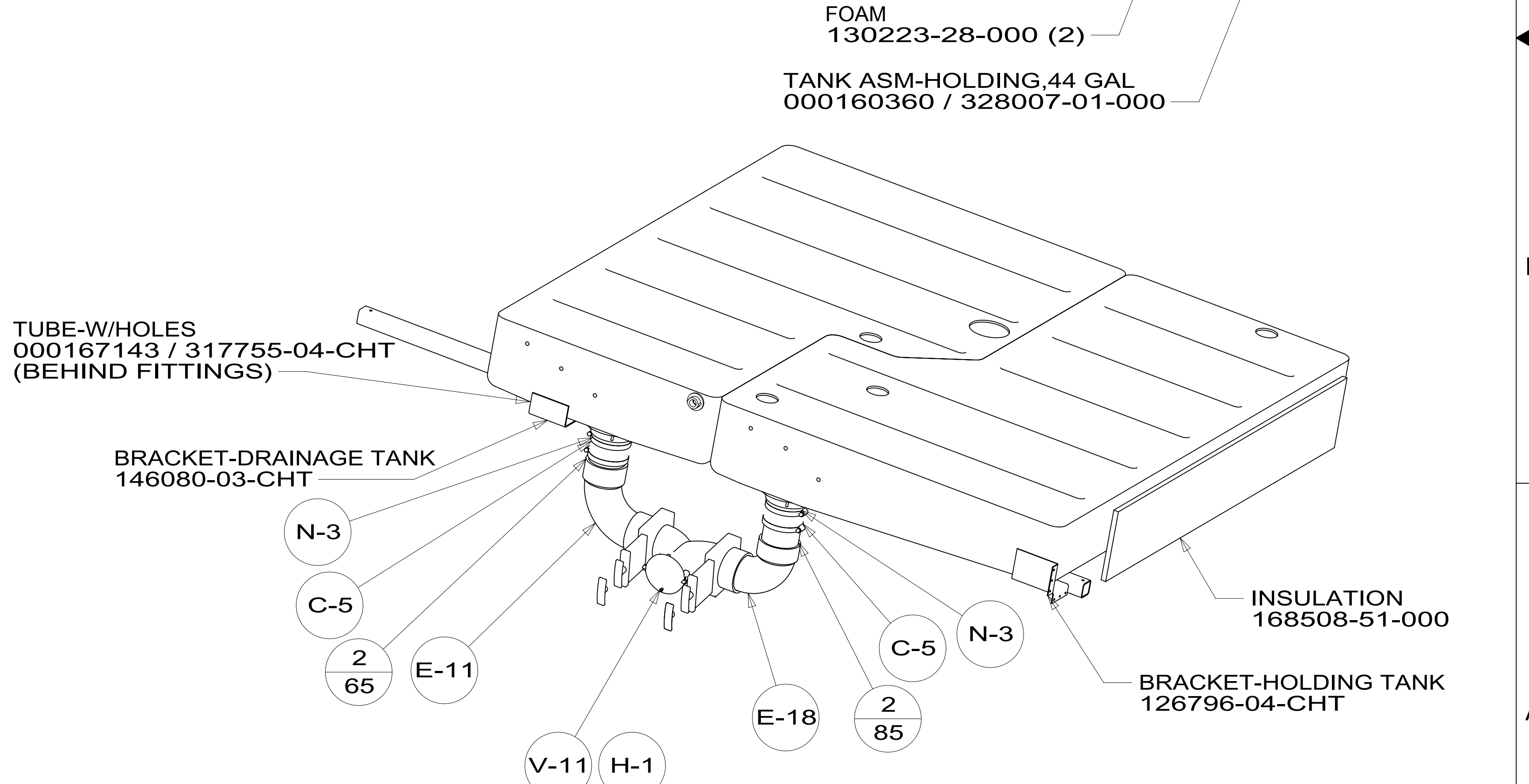
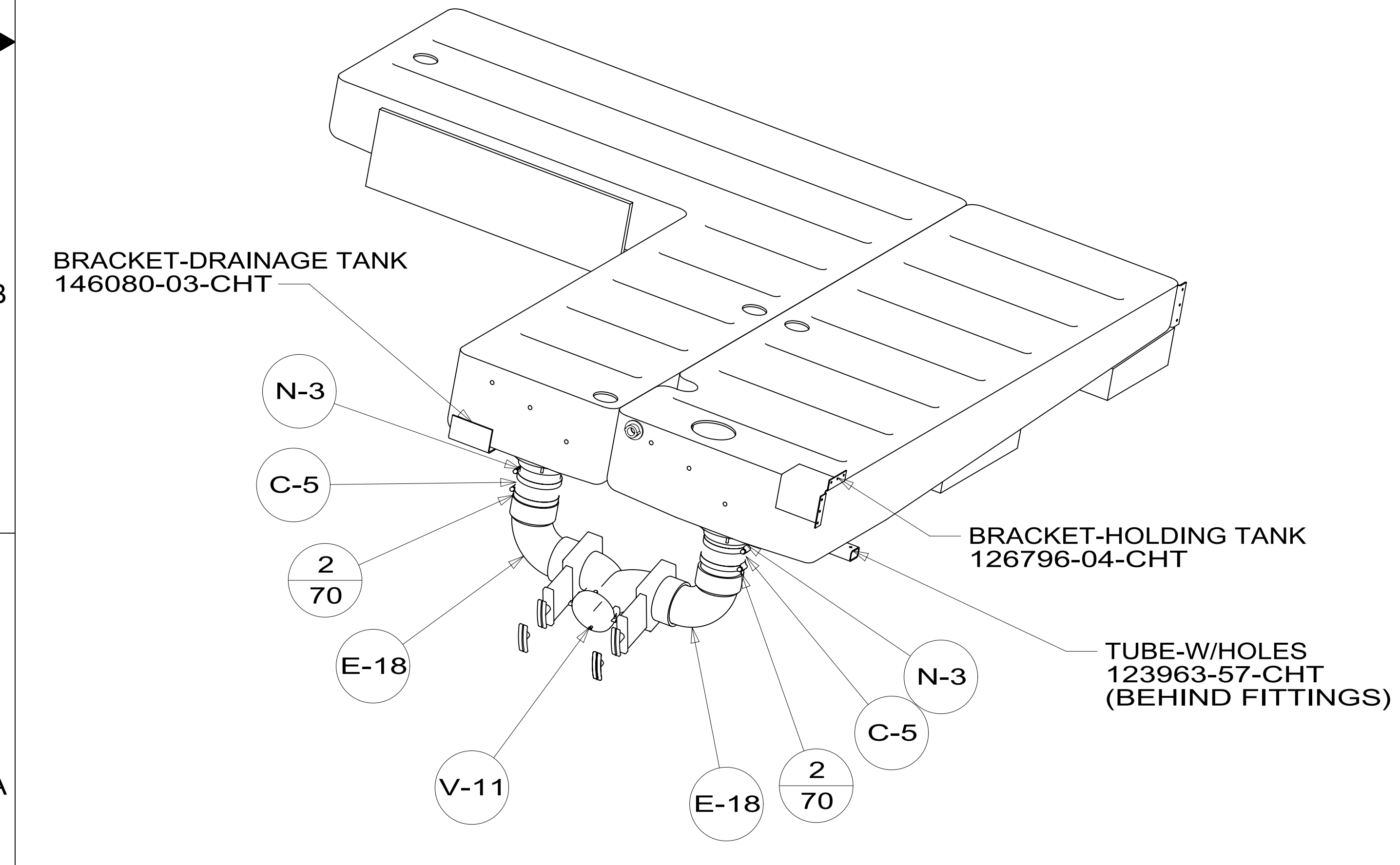
DETAIL DB

VIEW DA

DESCRIPTION: <b>DRAINAGE SYSTEM INSTL</b>		
SHEET: 4 OF 5	ITEM/PART NO: 000158000 / 32720701000	REV



SHOWING TANKS AND DRAINS



VIEW EA

DESCRIPTION:		
DRAINAGE SYSTEM INSTL		
SHEET:	ITEM/PART NO:	REV
5 OF 5	000158000 / 32720701000	