

ANTENNA-SATELLITE RADIO
(SUPPLIED WITH SXM RECEIVER)
PLATE-SATELLITE RADIO
177256-04-CHT
SCREW
G11-08-08U (4)
SEAL

CABLE-MONITOR 1 3

WIRE ASM-MONITOR, 15'
(REF)

70D 6 CABLE-ANTENNA, SATELLITE
(SUPPLIED WITH ANTENNA)

WIRE ASM-MONITOR
(REF)

4 ANTENNA-RADIO

FOR ELECTRICAL
TORQUE
SPECIFICATIONS
SEE DWG NO.
128783-01-000

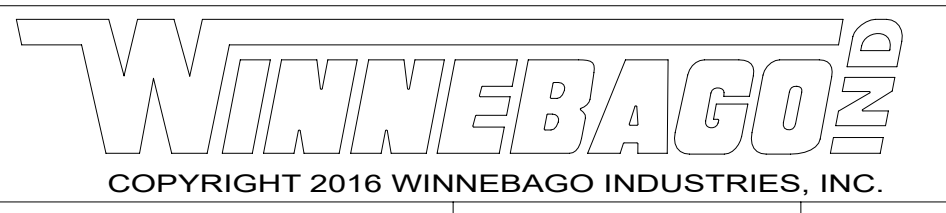
FOR ELECTRICAL
CALLOUTS SEE
DWG 000228177
344479-01-000

70D RADIO - SATELLITE SIRIUSXM

265 CODES/STANDARDS-CSA/CMVSS

1B1 CODES/STANDARDS USA

1B1 265



DSNR:		ALL DIMENSIONS ARE IN MILLIMETERS	
DFFR:		MATERIAL:	
UNSPECIFIED TOLERANCES:			
WHOLE DIM (X)	: 3		
ONE-PLACE (X.X)	: 1.5		
TWO-PLACE (X.XX)	: 0.50		
ANGLE	: 1°		
REFER TO ES0018 FOR FASTENER TIGHTENING GUIDELINES		WEIGHT: (LBS)	FIRST USED: 22 325B

DESCRIPTION: RADIO/MONITOR INSTL		
SHEET: 1 OF 3	ITEM/PART NO: 000263143 / 35200601000	REV:
REF:		1 14-Mar-2023

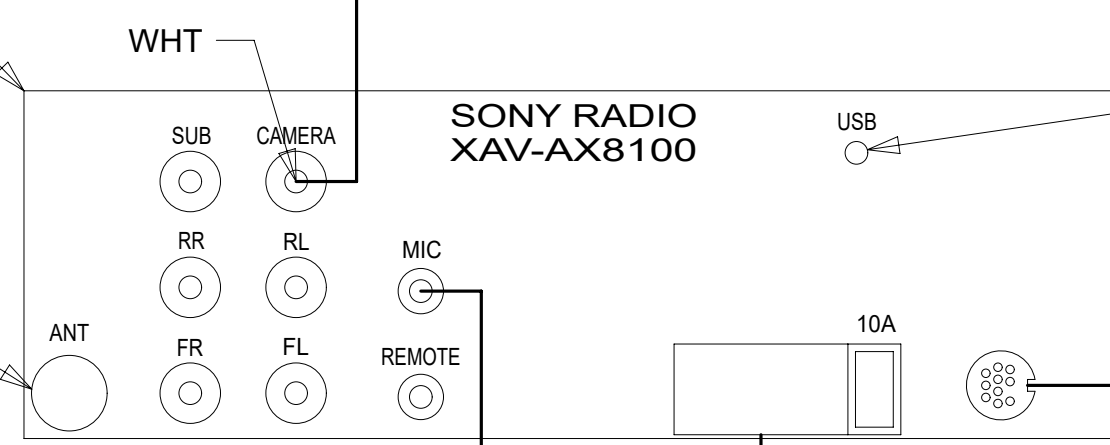
- NOTES:
- 6 ROUTE CABLE FROM RADIO TO PASSENGER'S STEPWELL AREA, UP WINGWALL, THROUGH SLEEPER BOARD ASM, UNDER TRIM TO ANTENNA PLATE ON ROOF.
 - 5 MOUNT ANTENNA AND PLATE SUCH THAT BASE IS SQUARE WITH ROOF AND DIRECTLY OVER HOLE IN ROOF. SEAL BOTH HOLE IN ROOF AND ANTENNA BASE AT SCREWS.
 - 4 SUPPLIED WITH CHASSIS. USE SHORTEST SUPPLIED ANTENNA.
 - 3 ROUTE CABLE TO DASH RADIO.
 - 2 WIRING IS ROUTED DIFFERENTLY FOR EACH UNIT FROM THIS POINT REARWARD.
 - 1 REAR MONITOR CAMERA CABLE IS PART OF WIRE ASM-CHASSIS AND RUNS ALONG LEFT FRAME RAIL.

8 7 6 5 4 3 2 1

RECEIVER-AM/FM/CP/AA/SXM,9" SONY
000275041 / 354763-01-000
BRACKET-RADIO,BACK
000262956 / 351988-01-000
POCKET-RADIO, DIN
000261491 / 351679-01-000
BRACKET ASM KIT-RADIO, DDIN
000261482 / 351675-01-000

ADAPTER-ANTENNA,RADIO, DODGE
000208188 / 339502-01-000

ROUTE TO DASH POCKET
BELOW RADIO }
MICROPHONE CABLE



SONY RADIO XAV-AX8100

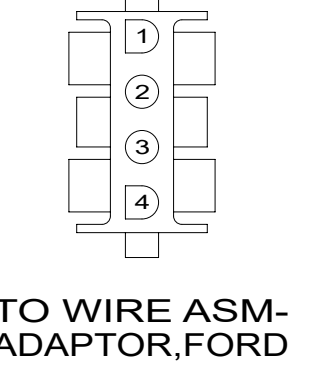
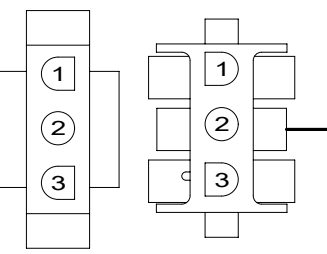
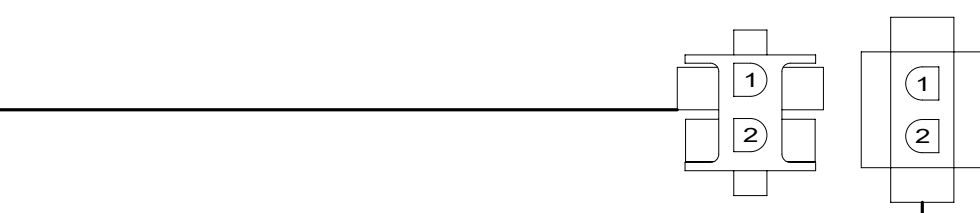
CABLE-USB PORT, DODGE
000208190 / 339503-01-000

TO SATELLITE ANTENNA
(SUPPLIED WITH SXM RECEIVER)

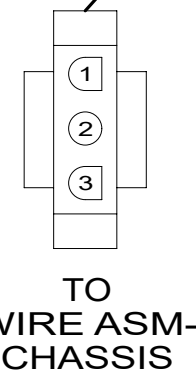
RADIO-KIT,SXM
000111632 / 321635-01-000

HARNES- RADIO,SONY,FORD
000212399 / 340384-01-0000

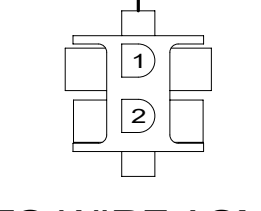
FORD CONNECTOR



TO WIRE ASM-ADAPTOR,FORD



TO WIRE ASM-CHASSIS



TO WIRE ASM-ADAPTOR,FORD

CABLE-RCA,MALE-MALE 6 FT
148591-01-000

WIRE ASM-MONITOR 8'
144677-23-000

TO LEFT SIDE CAMERA IN MIRROR

TO RIGHT SIDE CAMERA IN MIRROR

WIRE ASM-MONITOR 8'
144677-23-000

ADAPTER-CAMERA CABLE, 6-PIN
183820-08-000

CABLE-CAMERA,20M (REF)

TO REAR CAMERA

SWITCH-VIDEO CAMERA
180731-09-000

WHT

70D RADIO - SATELLITE SIRIUSXM

265 CODES/STANDARDS-CSA/CMVSS

1B1 CODES/STANDARDS USA

1B1 265

FOR ELECTRICAL TORQUE SPECIFICATIONS SEE DWG NO. 128783-01-000

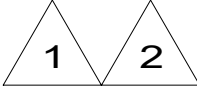
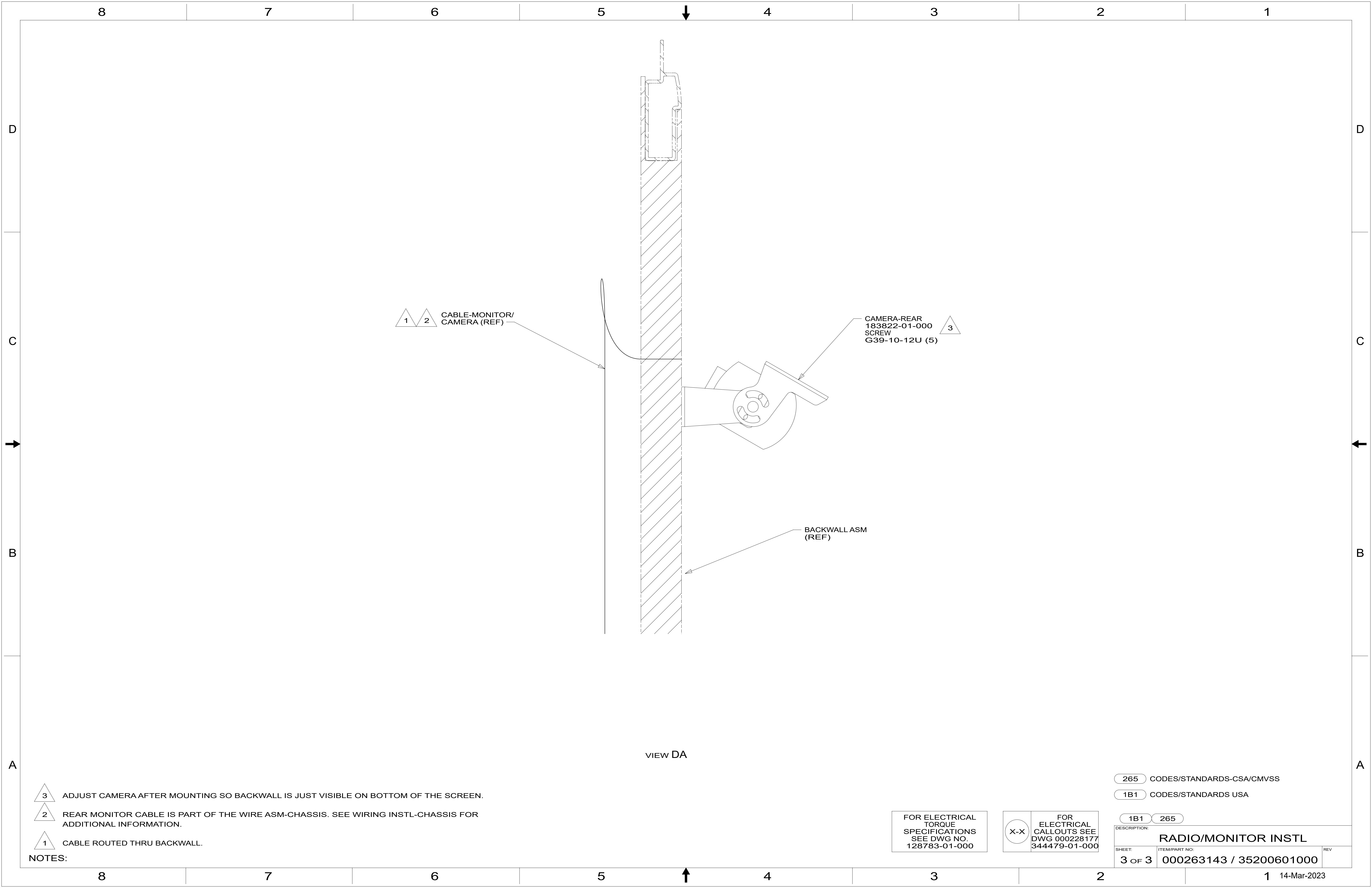
FOR ELECTRICAL CALLOUTS SEE DWG 000228177 344479-01-000

1 WIRE TIE TO RADIO WIRING.

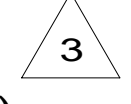
NOTES:

DESCRIPTION: RADIO/MONITOR INSTL		
SHEET: 2 OF 3	ITEM/PART NO: 000263143 / 35200601000	REV

8 7 6 5 4 3 2 1 14-Mar-2023





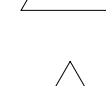
CABLE-MONITOR/
CAMERA (REF)



CAMERA-REAR
183822-01-000
SCREW
G39-10-12U (5)

BACKWALL ASM
(REF)

VIEW DA

- NOTES:
-  ADJUST CAMERA AFTER MOUNTING SO BACKWALL IS JUST VISIBLE ON BOTTOM OF THE SCREEN.
 -  REAR MONITOR CABLE IS PART OF THE WIRE ASM-CHASSIS. SEE WIRING INSTL-CHASSIS FOR ADDITIONAL INFORMATION.
 -  CABLE ROUTED THRU BACKWALL.

FOR ELECTRICAL
TORQUE
SPECIFICATIONS
SEE DWG NO.
128783-01-000

FOR
ELECTRICAL
CALLOUTS SEE
DWG 000228177
344479-01-000

265 CODES/STANDARDS-CSA/CMVSS
1B1 CODES/STANDARDS USA

DESCRIPTION: RADIO/MONITOR INSTL	
SHEET: 3 OF 3	ITEM/PART NO.: 000263143 / 35200601000
REV 1 14-Mar-2023	