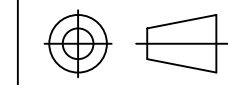


- 11. TRIM TO FIT
- 10. PREP THE SURFACE PER MANUFACTURERS INSTRUCTIONS BEFORE APPLYING HEAT PAD.
- 9. SEE WIRING INSTL-BODY FOR ELECTRICAL CONNECTIONS.
- 8. USE SMOOTH PLUMBERS PUTTY 167459-01-000 TO SEAL STRAINER (0.2 PER STRAINER).
- 7. REMOVE SWIVEL NUT ON TRAP-WATERLESS 165406-01 AND CONNECT TO A-10.
- 6. VENT PIPE MUST PROJECT 6 TO 15MM FROM SIDEWALL FOR PROPER FIT AND FUNCTION.
- 5. SEAL AROUND SHOWER WITH SILICONE.
- 4. SECURE DRAINAGE PIPES TO CABINET USING WIRE TIE 108046-02-000, AND SCREW 000G67-10-12U AT INTERVALS OF NOT MORE THAN 4 FEET APART.
- 3. ALL PIPE AND FITTINGS TO BE ASSEMBLED WITH SOLVENT 004020-01-000 (USA), 004020-02-000 (CAN)
- 2. SLOPE OF TRAP ARM MUST BE 6 PER 305 mm.
- 1. SLOPE OF HORIZONTAL PIPING TO BE MINIMUM OF 3 PER 305 mm.

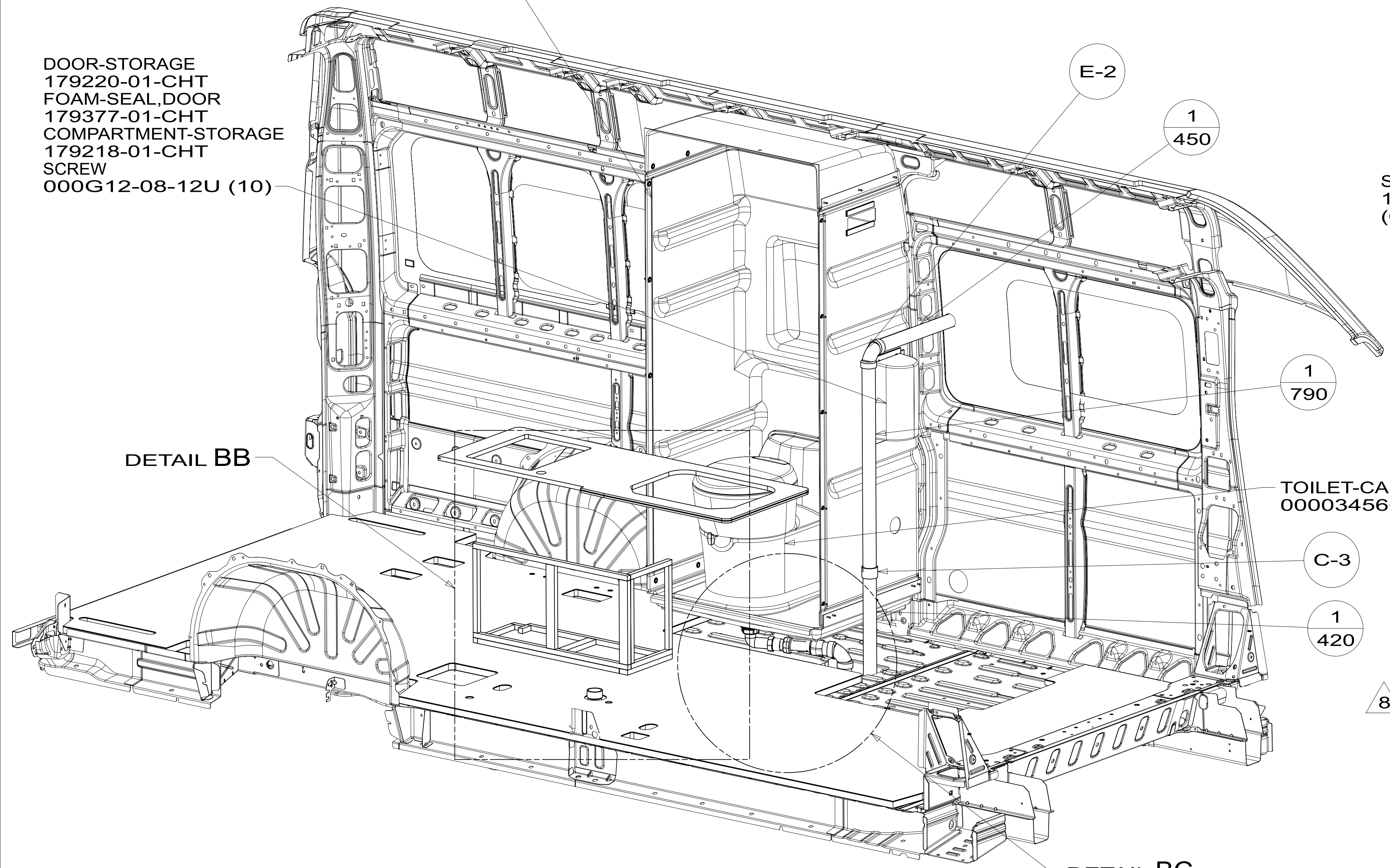
NOTES:

X-X
FOR
DRAINAGE
CALLOUTS
SEE DWG NO.
000211962 /
303370-01-000

WINNEBAGO COPYRIGHT 2023 WINNEBAGO INDUSTRIES, INC.			
DSNR:		ALL DIMENSIONS ARE IN MILLIMETERS	
DFTR:			
UNSPECIFIED TOLERANCES:		MATERIAL:	
WHOLE DIM (X)	3		
ONE-PLACE (X.X)	1.5		
TWO-PLACE (X.XX)	0.50		
ANGLE	1°		
REFER TO ES0018 FOR FASTENER TIGHTENING GUIDELINES		WEIGHT: (LBS)	FIRST USED: (REF)
			22 T59PX
DRAINAGE SYSTEM INSTL			
SHEET:	ITEM/PART NO.:	REV	
1 OF 3	000250175 / 34920001000		
REF:		1 18-Jan-2023	

SHOWER INSTL
000188678 / 335600-01-XXX

DOOR-STORAGE
179220-01-CHT
FOAM-SEAL,DOOR
179377-01-CHT
COMPARTMENT-STORAGE
179218-01-CHT
SCREW
000G12-08-12U (10)



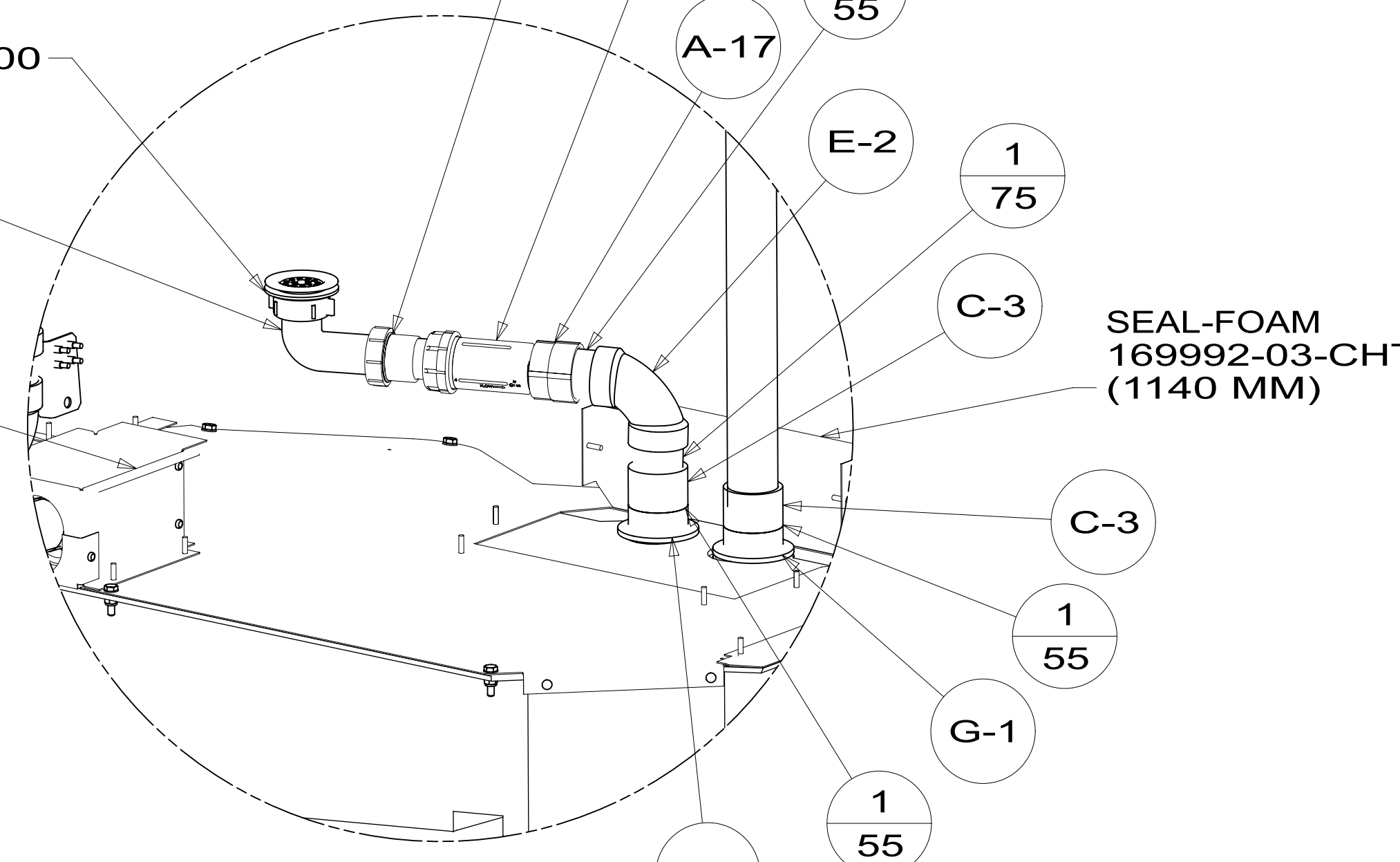
VIEW BA

STRAINER
066440-01-000

11

P-6

SEAL-FOAM
169992-03-CHT
(670 MM)



DETAIL BC

TOILET-CASSETTE
000034566 / 320321-01-CHT

C-3

1
420

SINK-GALLEY,SGL
000188453 / 335454-01-CHT
STRAINER-SINK
092303-01-000

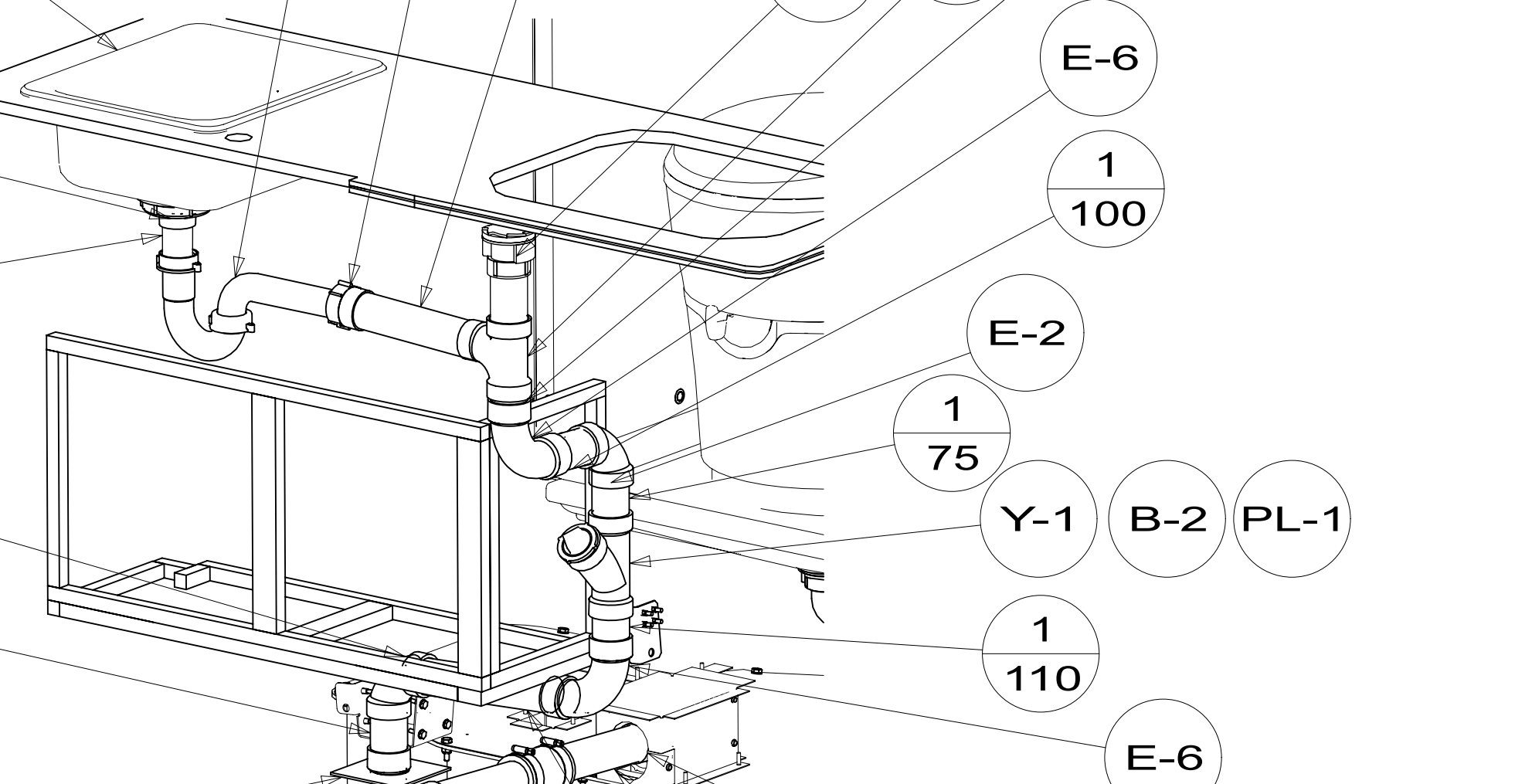
8

P-1

A-15

1
210

W-7



DETAIL BB

TAIL PIECE 1 1/2 X 4
000167613 / 330149-01-000
(TRIM TAIL BY 40 MM)

E-2

1
90

GASKET-DRAINAGE
167219-03-CHT

E-6

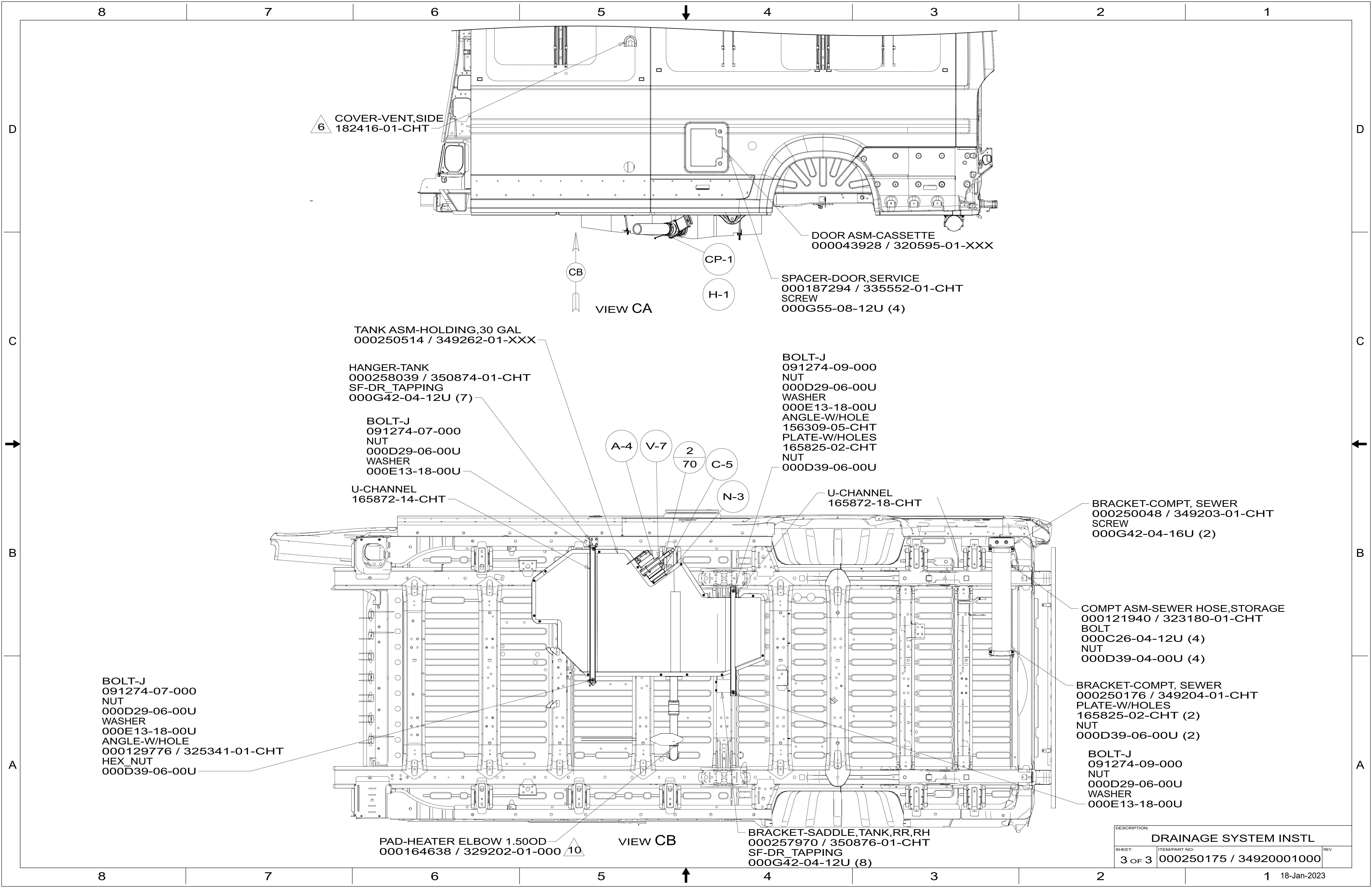
1
230

C-4

3
250

1
215

DESCRIPTION:		
DRAINAGE SYSTEM INSTL		
SHEET:	ITEM/PART NO.:	REV
2 OF 3	000250175 / 34920001000	



6 COVER-VENT, SIDE
182416-01-CHT

DOOR ASM-CASSETTE
000043928 / 320595-01-XXX

SPACER-DOOR, SERVICE
000187294 / 335552-01-CHT
SCREW
000G55-08-12U (4)

VIEW CA
CB

CP-1
H-1

TANK ASM-HOLDING, 30 GAL
000250514 / 349262-01-XXX

HANGER-TANK
000258039 / 350874-01-CHT
SF-DR_TAPPING
000G42-04-12U (7)

BOLT-J
091274-07-000
NUT
000D29-06-00U
WASHER
000E13-18-00U

U-CHANNEL
165872-14-CHT

BOLT-J
091274-09-000
NUT
000D29-06-00U
WASHER
000E13-18-00U
ANGLE-W/HOLE
156309-05-CHT
PLATE-W/HOLES
165825-02-CHT
NUT
000D39-06-00U

A-4 V-7
2 70 C-5
N-3

U-CHANNEL
165872-18-CHT

BRACKET-COMPT, SEWER
000250048 / 349203-01-CHT
SCREW
000G42-04-16U (2)

COMPT ASM-SEWER HOSE, STORAGE
000121940 / 323180-01-CHT
BOLT
000C26-04-12U (4)
NUT
000D39-04-00U (4)

BRACKET-COMPT, SEWER
000250176 / 349204-01-CHT
PLATE-W/HOLES
165825-02-CHT (2)
NUT
000D39-06-00U (2)

BOLT-J
091274-07-000
NUT
000D29-06-00U
WASHER
000E13-18-00U
ANGLE-W/HOLE
000129776 / 325341-01-CHT
HEX_NUT
000D39-06-00U

BOLT-J
091274-09-000
NUT
000D29-06-00U
WASHER
000E13-18-00U

PAD-HEATER ELBOW 1.500D
000164638 / 329202-01-000 10

VIEW CB

BRACKET-SADDLE, TANK, RR, RH
000257970 / 350876-01-CHT
SF-DR_TAPPING
000G42-04-12U (8)

DESCRIPTION: DRAINAGE SYSTEM INSTL		
SHEET: 3 OF 3	ITEM/PART NO: 000250175 / 34920001000	REV