

- 5 WIRE ASM RUNS ACROSS THE COACH AND UP TO THE OVHD ON THE DRIVER SIDE.
- 4 MOUNT ON EXTERIOR SURFACE OF VAN SIDEWALL.
- 3 SEE WIRE ASM-SOLAR COACH AND WIRE INSTL-CHASSIS FOR ADDITIONAL INFORMATION.
2. ROUTE TANK SENSOR WIRES SO THEY DO NOT PASSOVER SENSORS. USE WIRE TIE MOUNT 155366-01-000 AND WIRE TIE 8343-01-000 AS NEEDED. TANK SURFACE MUST BE CLEANED USING ISOPROPYL ALCOHOL AND PRIMED WITH PRIMER 94.
1. AT MINIMUM ALL WIRES TO BE SUPPORTED AND SECURED PER CODE REQUIREMENTS. USE CLAMP 10495 OR 10497 OR WIRE TIE 8343 OR 108046 AND SCREW G67-XX-XXX OR G56-XX-XXX AS APPROPRIATE FOR INSTALLATION.

NOTES:

- 60C POP TOP-SLEEPING CUSTOM
- 60B POP TOP-SLEEPING WITHOUT
- 60A POP TOP - SLEEPING
- 265 CODES/STANDARDS-CSA/CMVSS
- 1B1 CODES/STANDARDS USA

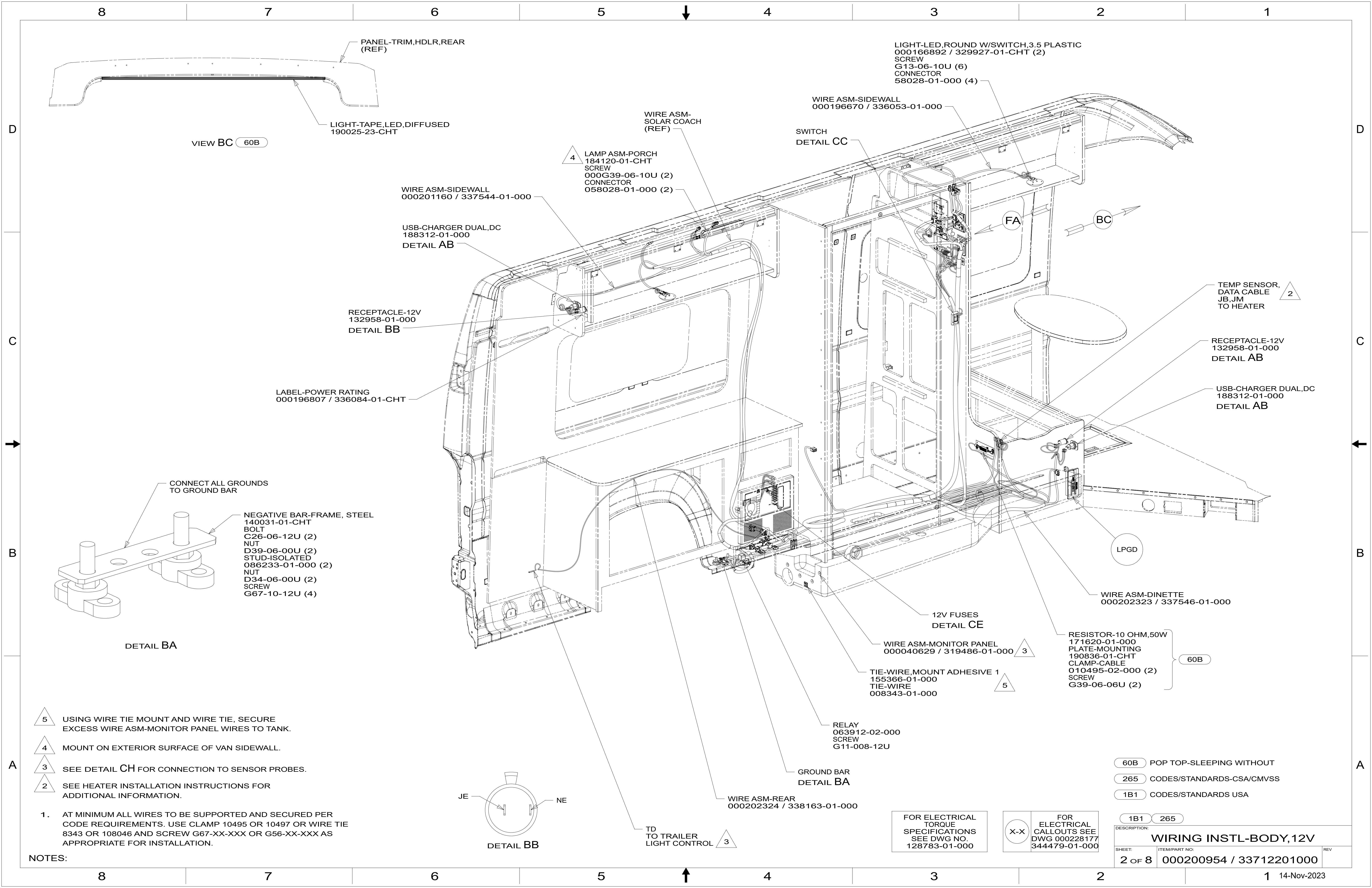
WINNEBAGO
COPYRIGHT 2023 WINNEBAGO INDUSTRIES, INC.

DSNR:	ALL DIMENSIONS ARE IN MILLIMETERS	
DFFR:	MATERIAL:	
UNSPECIFIED TOLERANCES:	WHOLE DIM (X) :	3
	ONE-PLACE (X.X) :	1.5
	TWO-PLACE (X.XX) :	0.50
	ANGLE :	1°
REFER TO ES0018 FOR FASTENER TIGHTENING GUIDELINES	WEIGHT: (LBS)	FIRST USED:
		21 T59PX
WIRING INSTL-BODY, 12V		
SHEET: 1 OF 8	ITEM/PART NO: 000200954 / 33712201000	REV:

	INDICATES A CRITICAL CHARACTERISTIC. ENSURE PROPER PROCEDURES ARE FOLLOWED.
	INDICATES A SIGNIFICANT CHARACTERISTIC. ENSURE PROPER PROCEDURES ARE FOLLOWED.
	INDICATES A KEY CHARACTERISTIC. ENSURE PROPER PROCEDURES ARE FOLLOWED.

FOR ELECTRICAL TORQUE SPECIFICATIONS SEE DWG NO. 128783-01-000

FOR ELECTRICAL CALLOUTS SEE DWG 000228177 344479-01-000



VIEW BC 60B

PANEL-TRIM,HDLR,REAR
(REF)

LIGHT-TAPE,LED,DIFFUSED
190025-23-CHT

LIGHT-LED,ROUND W/SWITCH,3.5 PLASTIC
000166892 / 329927-01-CHT (2)
SCREW
G13-06-10U (6)
CONNECTOR
58028-01-000 (4)

WIRE ASM-SIDEWALL
000196670 / 336053-01-000

SWITCH
DETAIL CC

WIRE ASM-SOLAR COACH
(REF)

4 LAMP ASM-PORCH
184120-01-CHT
SCREW
000G39-06-10U (2)
CONNECTOR
058028-01-000 (2)

WIRE ASM-SIDEWALL
000201160 / 337544-01-000

USB-CHARGER DUAL,DC
188312-01-000
DETAIL AB

RECEPTACLE-12V
132958-01-000
DETAIL BB

LABEL-POWER RATING
000196807 / 336084-01-CHT

TEMP SENSOR,
DATA CABLE
JB,JM
TO HEATER 2

RECEPTACLE-12V
132958-01-000
DETAIL AB

USB-CHARGER DUAL,DC
188312-01-000
DETAIL AB

CONNECT ALL GROUNDS
TO GROUND BAR

NEGATIVE BAR-FRAME, STEEL
140031-01-CHT
BOLT
C26-06-12U (2)
NUT
D39-06-00U (2)
STUD-ISOLATED
086233-01-000 (2)
NUT
D34-06-00U (2)
SCREW
G67-10-12U (4)

DETAIL BA

WIRE ASM-DINETTE
000202323 / 337546-01-000

12V FUSES
DETAIL CE

WIRE ASM-MONITOR PANEL
000040629 / 319486-01-000 3

RESISTOR-10 OHM,50W
171620-01-000
PLATE-MOUNTING
190836-01-CHT
CLAMP-CABLE
010495-02-000 (2)
SCREW
G39-06-06U (2) 60B

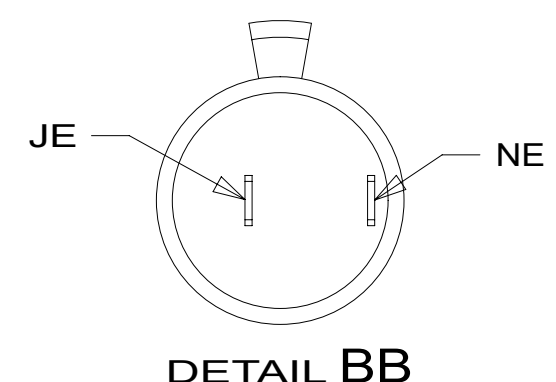
TIE-WIRE,MOUNT ADHESIVE 1
155366-01-000
TIE-WIRE
008343-01-000 5

RELAY
063912-02-000
SCREW
G11-008-12U

GROUND BAR
DETAIL BA

WIRE ASM-REAR
000202324 / 338163-01-000

TD
TO TRAILER
LIGHT CONTROL 3



5 USING WIRE TIE MOUNT AND WIRE TIE, SECURE EXCESS WIRE ASM-MONITOR PANEL WIRES TO TANK.

4 MOUNT ON EXTERIOR SURFACE OF VAN SIDEWALL.

3 SEE DETAIL CH FOR CONNECTION TO SENSOR PROBES.

2 SEE HEATER INSTALLATION INSTRUCTIONS FOR ADDITIONAL INFORMATION.

1. AT MINIMUM ALL WIRES TO BE SUPPORTED AND SECURED PER CODE REQUIREMENTS. USE CLAMP 10495 OR 10497 OR WIRE TIE 8343 OR 108046 AND SCREW G67-XX-XXX OR G56-XX-XXX AS APPROPRIATE FOR INSTALLATION.

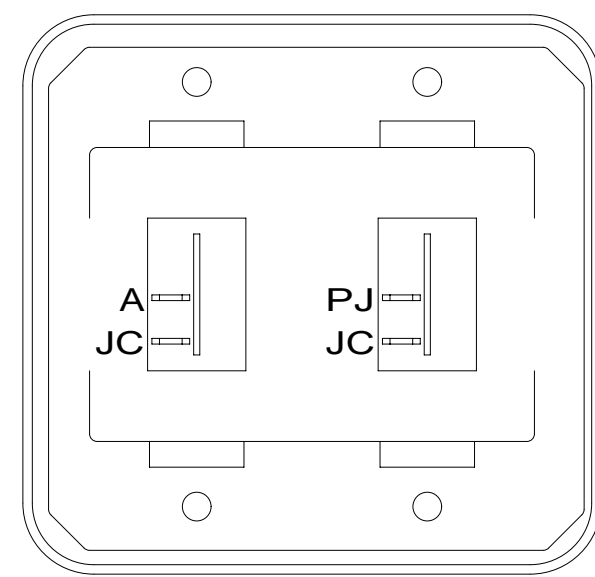
NOTES:

- 60B POP TOP-SLEEPING WITHOUT
- 265 CODES/STANDARDS-CSA/CMVSS
- 1B1 CODES/STANDARDS USA

FOR ELECTRICAL TORQUE SPECIFICATIONS SEE DWG NO. 128783-01-000

FOR ELECTRICAL CALLOUTS SEE DWG 000228177 344479-01-000

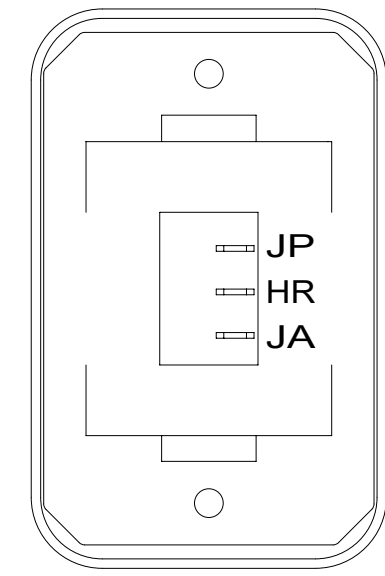
DESCRIPTION:		1B1 265	
WIRING INSTL-BODY,12V			
SHEET:	ITEM/PART NO.:	REV:	
2 OF 8	000200954 / 33712201000		



SWITCH-ROCKER
135740-01-CHT (2)
SWITCH-BASE
135741-02-CHT
SWITCH-BEZEL
135742-02-CHT
SCREW
G11-08-08U (4)

DETAIL CA

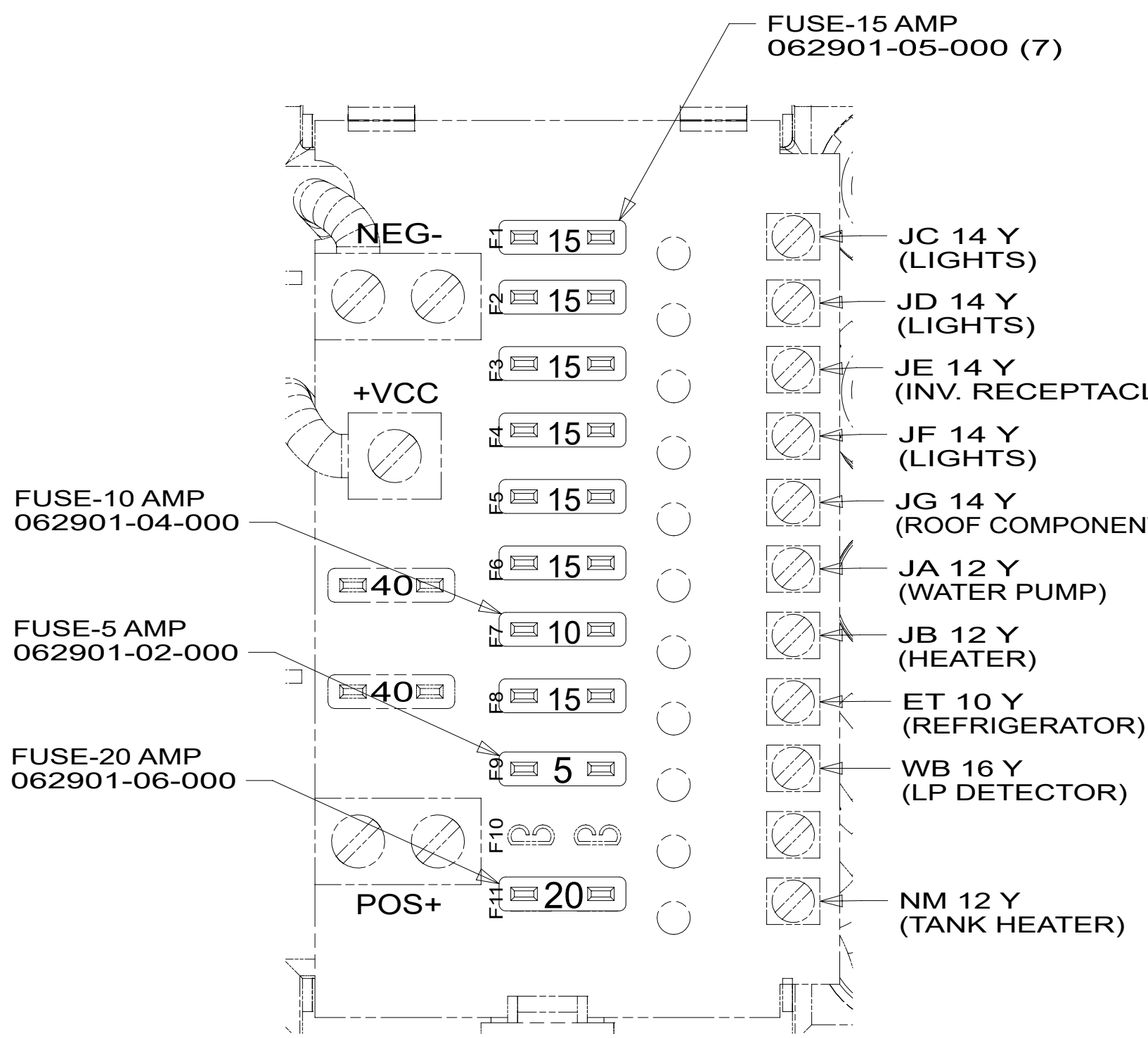
HOLDING TANK HEATER
TURN OFF When Not In Use
SEE OPERATORS MANUAL



SWITCH-ROCKER
135740-06-CHT
SWITCH-BASE
135741-01-CHT
SWITCH-BEZEL
135742-01-CHT
SCREW
G11-08-08U (2)

DETAIL CD

LABEL-SWITCH
134563-01-CHT



FUSE-15 AMP
062901-05-000 (7)

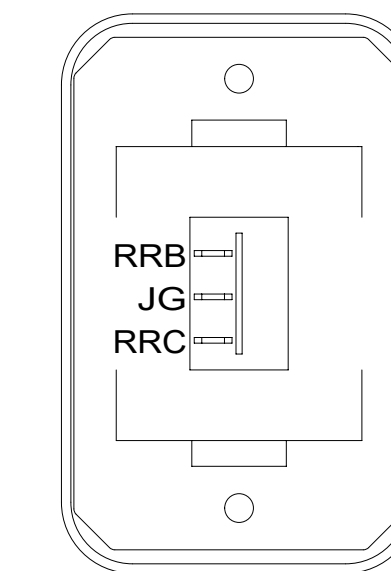
FUSE-10 AMP
062901-04-000

FUSE-5 AMP
062901-02-000

FUSE-20 AMP
062901-06-000

JC 14 Y (LIGHTS)
JD 14 Y (LIGHTS)
JE 14 Y (INV. RECEPTACLE)
JF 14 Y (LIGHTS)
JG 14 Y (ROOF COMPONENTS)
JA 12 Y (WATER PUMP)
JB 12 Y (HEATER)
ET 10 Y (REFRIGERATOR)
WB 16 Y (LP DETECTOR)
NM 12 Y (TANK HEATER)

DETAIL CE



SWITCH-ROCKER
135740-04-CHT
SWITCH-BASE
135741-01-CHT
SWITCH-BEZEL
135742-01-CHT
SCREW
G11-08-08U (2)

DETAIL CL 60B

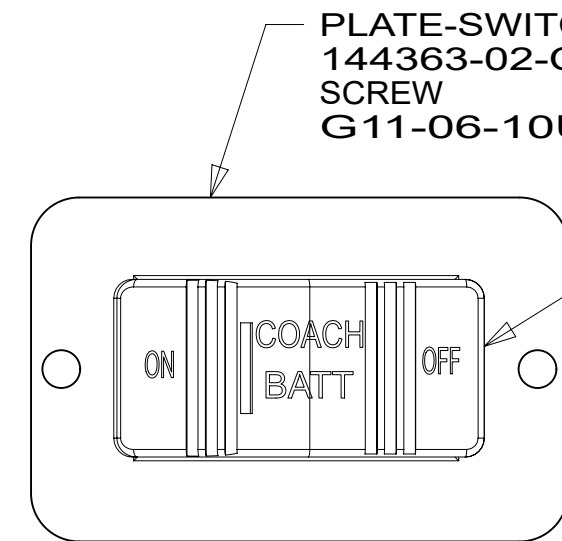
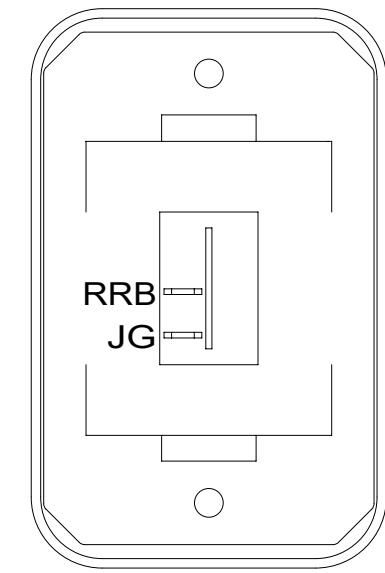


PLATE-SWITCH
144363-02-CHT
SCREW
G11-06-10U (2)

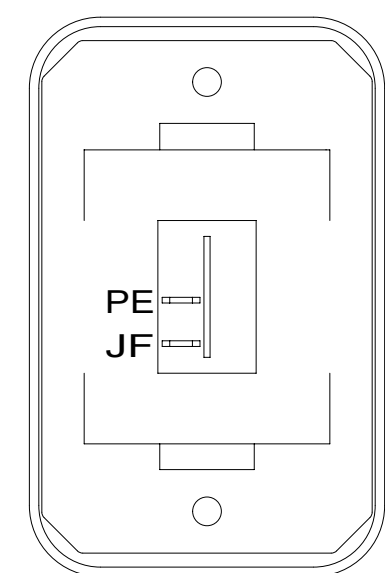
SWITCH-ROCKER
108357-18-000
ACTUATOR-SWITCH
108356-19-CHT
WIRE ASM-THERM
186796-01-000

DETAIL CB



SWITCH-ROCKER
135740-01-CHT
SWITCH-BASE
135741-01-CHT
SWITCH-BEZEL
135742-01-CHT
SCREW
G11-08-08U (2)

DETAIL CF 60A 60C



SWITCH-ROCKER
135740-01-CHT
SWITCH-BASE
135741-01-CHT
SWITCH-BEZEL
135742-01-CHT
SCREW
G11-08-08U (2)

DETAIL CC

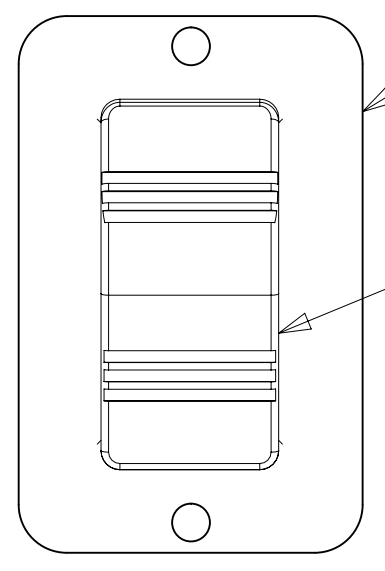
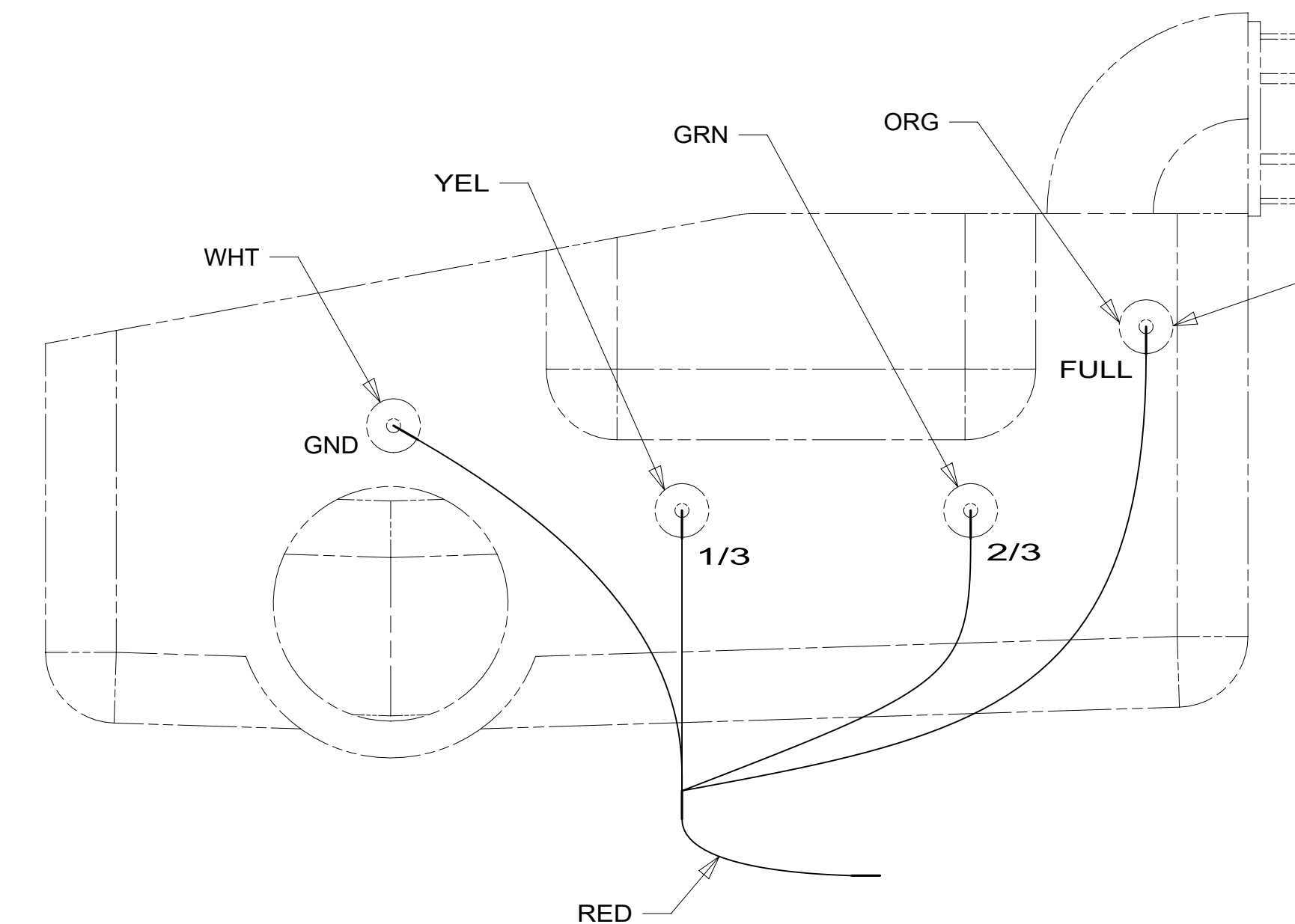


PLATE-SWITCH
144363-02-CHT
SCREW
G11-06-10U (2)

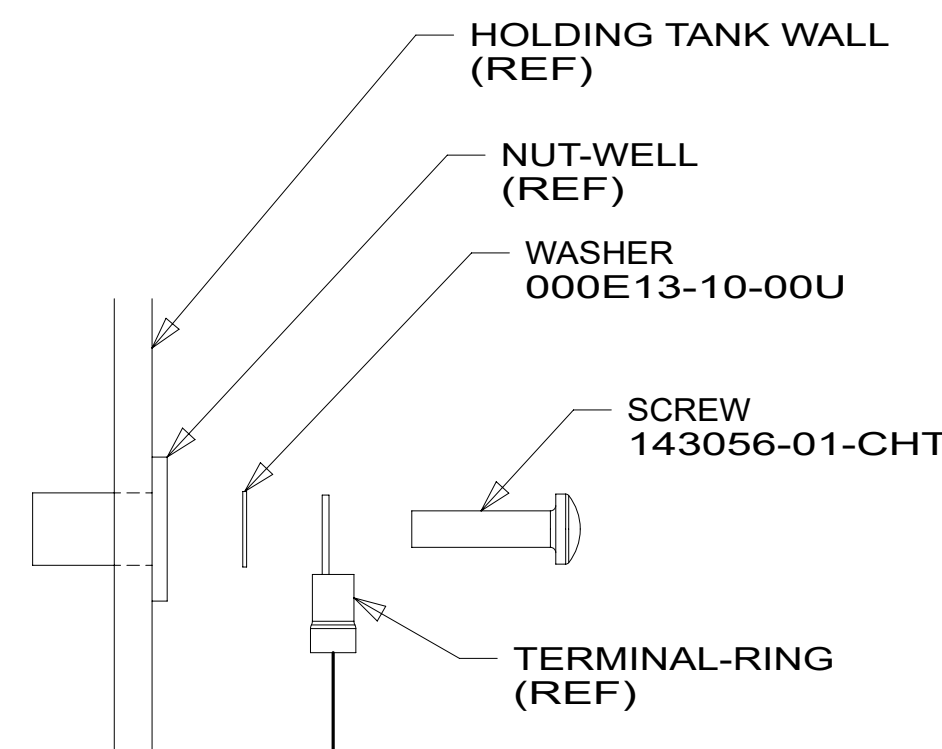
SWITCH-ROCKER
108357-01-000
ACTUATOR
108356-01-CHT

DETAIL CG

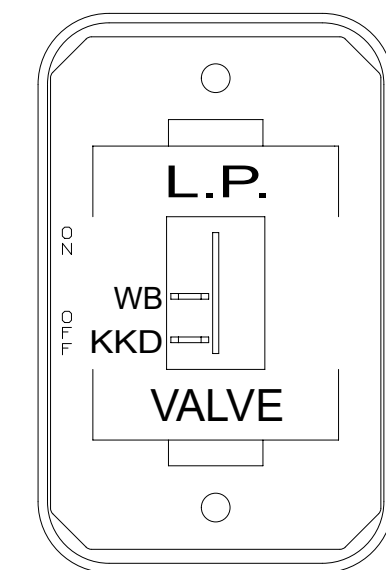


SEE DETAIL CJ
FOR ATTACHMENT
DETAILS

DETAIL CH



DETAIL CJ 1



SWITCH-ROCKER
135740-01-CHT
SWITCH-BASE
135741-01-CHT
SWITCH-BEZEL
135742-59-CHT
SCREW
G11-08-08U (2)

DETAIL CK

FOR ELECTRICAL
TORQUE
SPECIFICATIONS
SEE DWG NO.
128783-01-000

FOR ELECTRICAL
CALLOUTS SEE
DWG 000228177
344479-01-000

- 60C POP TOP-SLEEPNG CUSTOM
- 60B POP TOP-SLEEPING WITHOUT
- 60A POP TOP - SLEEPING
- 265 CODES/STANDARDS-CSA/CMVSS
- 1B1 CODES/STANDARDS USA

DESCRIPTION:	1B1 265	
WIRING INSTL-BODY, 12V		
SHEET:	ITEM/PART NO:	REV
3 OF 8	000200954 / 33712201000	

NOTES:
1 TYPICAL WIRE ATTACHMENT AT ALL LEVEL PROBES (4 EACH)
FOR WATER, MAIN, AND AUX HOLDING TANKS.

60A 60C GROMMET 071015-11-000

WIRE ASM-MID CEILING 000189204 / 335754-01-000

PANEL-SOLAR 190 WATT, ATP 000282881 / 356485-01-000
BRACKET-MOUNTING,SOLAR PANEL 000223989 / 343383-01-CHT (4)
BOLT 000C12-04-00U (8)
LOCK WASHER 000E11-04-00U (8)
NUT-T 000224221 / 343407-01-CHT (8)
CABLE-EXTENSION, SOLAR, 5FT 000282847 / 356472-01-000
SCREW G39-10-10U (12)

60B

LIGHT-LED,ROUND 3.5 PLASTIC 000166893 / 329928-01-CHT (3)
SCREW G13-06-10U (9)

60A 60C REMOVE CLEARANCE LIGHTS RUN WIRES TO CUTOUPS IN POPTOP RE-ATTACH LIGHTS TO POPTOP

LIGHT-TAPE,LED,DIFFUSED 190025-05-CHT
CHANNEL-LIGHT,TAPE 190097-01-CHT (254 MM)

PORT-SOLAR, DOUBLE, ATP 000282789 / 356474-01-000
SPACER-VENT 000041695 / 319875-01-CHT
SPACER-VENT 000217773 / 341265-01-CHT
SCREW G39-10-16U (6)
DETAIL DA

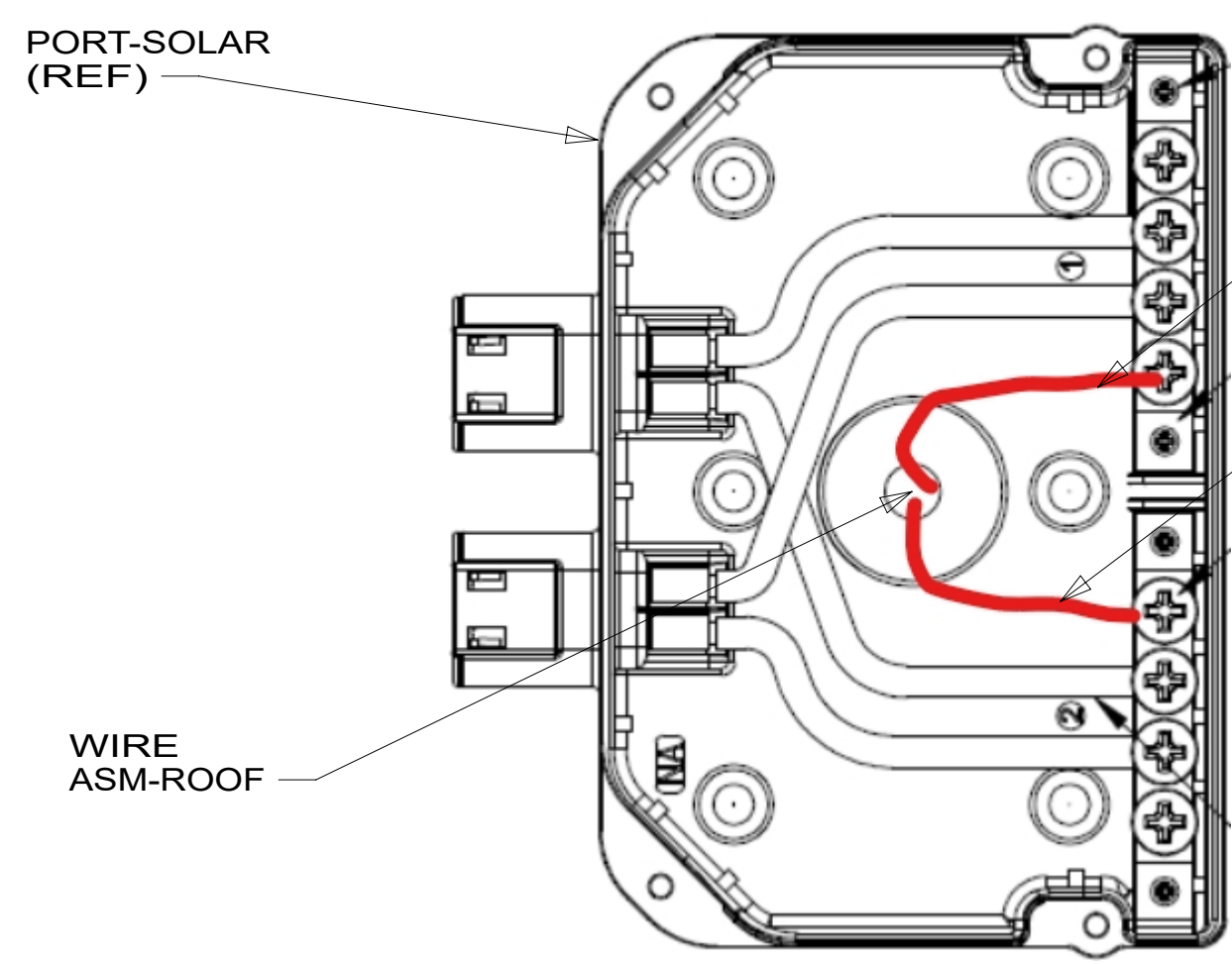
60B

WIRE ASM-FRONT CEILING 000188862 / 335615-01-000

WIRE ASM-ROOF VENT 000216672 / 340947-01-000 60B

GROMMET 071015-11-000

WIRE ASM-REAR CEILING 000188863 / 335617-01-000



WINNEBAGO BLACK WIRE THAT HAS RED TAPE FROM ROOF

WINNEBAGO GREEN WIRE FROM ROOF

DETAIL DA

5 SEE COMPONENT DRAWING FOR TORQUE SPECIFICATIONS.

4 ROUTE WIRES THROUGH HOLE IN TOP OF POPTOP. SECURE WIRES TO REAR STRUT WITH WIRE TIES (008343-01-000). ROUTE WIRES THROUGH HOLE IN ROOF INTO COACH.

3 MOUNTED ON INTERIOR SURFACE OF ROOF.

2 APPLY ROOF SEALANT (APPROXIMATELY 75 MM WIDE) AND PUSH CABLE INTO THE SEALANT TO STABILIZE THEM WHERE NEEDED.

1. AT MINIMUM ALL WIRES TO BE SUPPORTED AND SECURED PER CODE REQUIREMENTS. USE CLAMP 10495 OR 10497 OR WIRE TIE 8343 OR 108046 AND SCREW G67-XX-XXX OR G56-XX-XXX AS APPROPRIATE FOR INSTALLATION.

NOTES:

- 60C POP TOP-SLEEPNG CUSTOM
- 60B POP TOP-SLEEPING WITHOUT
- 60A POP TOP - SLEEPING
- 265 CODES/STANDARDS-CSA/CMVSS
- 1B1 CODES/STANDARDS USA

FOR ELECTRICAL TORQUE SPECIFICATIONS SEE DWG NO. 128783-01-000

FOR ELECTRICAL CALLOUTS SEE DWG 000228177 344479-01-000

DESCRIPTION: WIRING INSTL-BODY,12V	
SHEET: 4 OF 8	ITEM/PART NO: 000200954 / 33712201000
REV 1 14-Nov-2023	

8

7

6

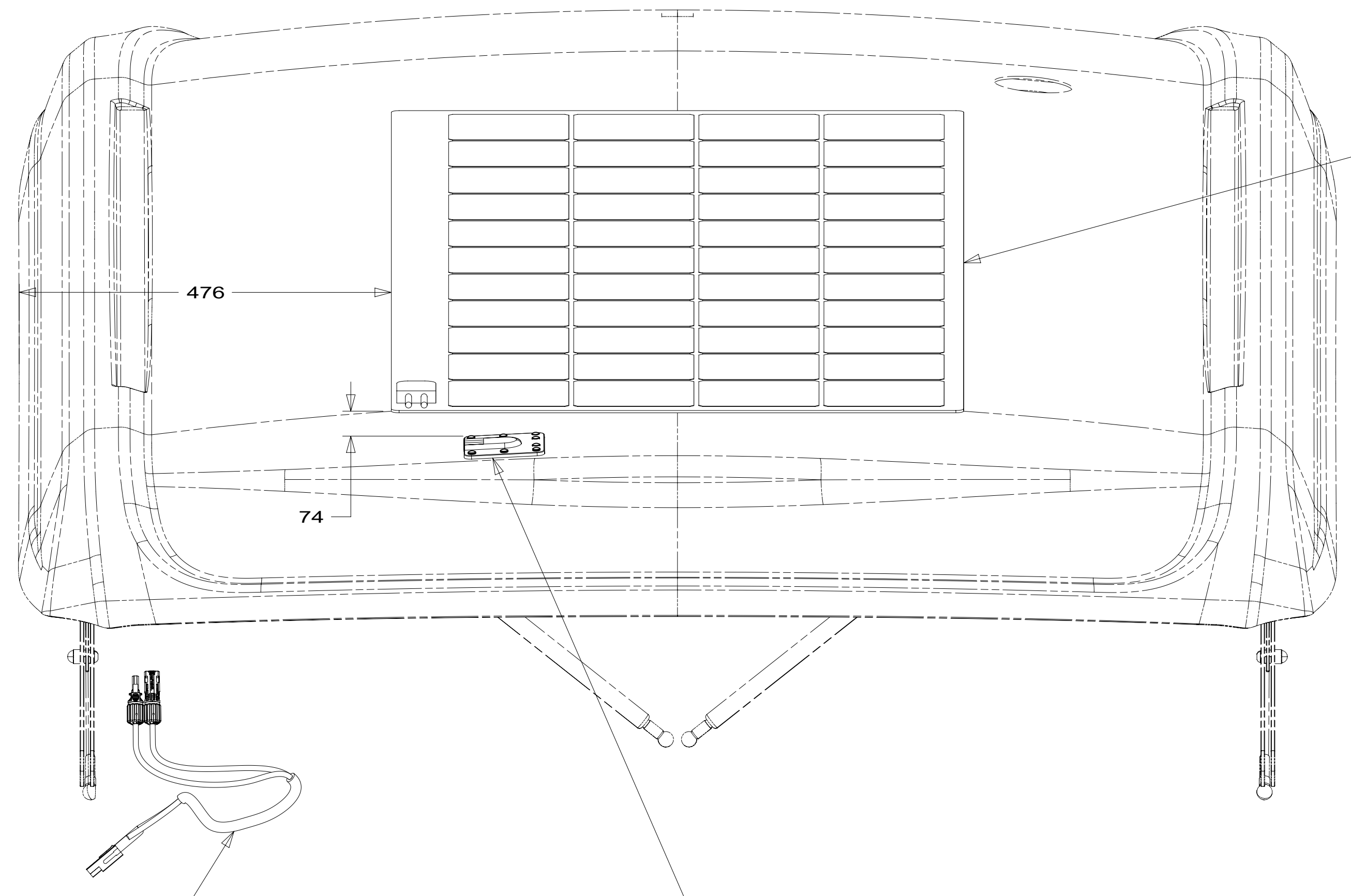
5

4

3

2

1



PANEL-SOLAR 220 WATT, FLEXIBLE
 000277742 / 354978-01-000
 TAPE-SEALING
 000202843 / 337812-01-CHT
 (5146 MM) 2

3 WIRE ASM-SOLAR EXTENSION
 000281865 / 356194-01-000

PLATE-ROOF,CABLE ENTRY QUAD
 146488-03-000
 SCREW
 G67-10-12U (8)

3 ROUTE SOLAR PANEL PIGTAIL THROUGH HOLE IN TOP OF POP TOP. SECURE WIRES TO REAR STRUT WITH WIRE TIES (008343-01-000). CONNECT WINNEBAGO WIRING AND ROUTE THROUGH HOLE IN ROOF INTO COACH.

2 APPLY TAPE TO OUTSIDE EDGES OF SOLAR PANEL AFTER PANEL IS APPLIED TO POPTOP. IT IS CRITICAL TO KEEP TAPE OFF OF THE SOLAR CELLS.

1. AT MINIMUM ALL WIRES TO BE SUPPORTED AND SECURED PER CODE REQUIREMENTS. USE CLAMP 10495 OR 10497 OR WIRE TIE 8343 OR 108046 AND SCREW G67-XX-XXX OR G56-XX-XXX AS APPROPRIATE FOR INSTALLATION.

NOTES:

- 60A POP TOP - SLEEPING
- 265 CODES/STANDARDS-CSA/CMVSS
- 1B1 CODES/STANDARDS USA

FOR ELECTRICAL TORQUE SPECIFICATIONS SEE DWG NO. 128783-01-000

FOR ELECTRICAL CALLOUTS SEE DWG 000228177 344479-01-000

1B1 265 60A		
DESCRIPTION: WIRING INSTL-BODY,12V		
SHEET:	ITEM/PART NO.:	REV:
5 OF 8	000200954 / 33712201000	

8

7

6

5

4

3

2

1

14-Nov-2023

8

7

6

5

4

3

2

1

D

D

C

C

B

B

A

A

PLATE-ROOF,CABLE ENTRY QUAD
 146488-03-000
 COVER-CABLE ENTRY
 000273165 / 354628-01-CHT
 SCREW
 G67-10-12U (8)

PANEL-SOLAR 220 WATT, FLEXIBLE
 000277742 / 354978-01-000
 TAPE-SEALING
 000202843 / 337812-01-CHT
 (5146 MM)

3 WIRE ASM-SOLAR EXTENSION
 000281797 / 356169-01-000

- 4 PLACE PANEL WITHIN OUTLINE ON POP TOP.
- 3 ROUTE SOLAR PANEL PIGTAIL THROUGH HOLE IN TOP OF POP TOP AND DOWN THROUGH SLEEVE OF POPTOP TENT. ATTACH WIRE ASM-SOLAR EXTENSION.
- 2 APPLY TAPE TO OUTSIDE EDGES OF SOLAR PANEL AFTER PANEL IS APPLIED TO POPTOP. IT IS CRITICAL TO KEEP TAPE OFF OF THE SOLAR CELLS.

1. AT MINIMUM ALL WIRES TO BE SUPPORTED AND SECURED PER CODE REQUIREMENTS. USE CLAMP 10495 OR 10497 OR WIRE TIE 8343 OR 108046 AND SCREW G67-XX-XXX OR G56-XX-XXX AS APPROPRIATE FOR INSTALLATION.

NOTES:

FOR ELECTRICAL TORQUE SPECIFICATIONS SEE DWG NO. 128783-01-000

FOR ELECTRICAL CALLOUTS SEE DWG 000228177 344479-01-000

- 60C POP TOP-SLEEPNG CUSTOM
- 265 CODES/STANDARDS-CSA/CMVSS
- 1B1 CODES/STANDARDS USA

1B1	265	60C
DESCRIPTION: WIRING INSTL-BODY,12V		
SHEET: 6 OF 8	ITEM/PART NO: 000200954 / 33712201000	REV

8

7

6

5

4

3

2

1

14-Nov-2023

8

7

6

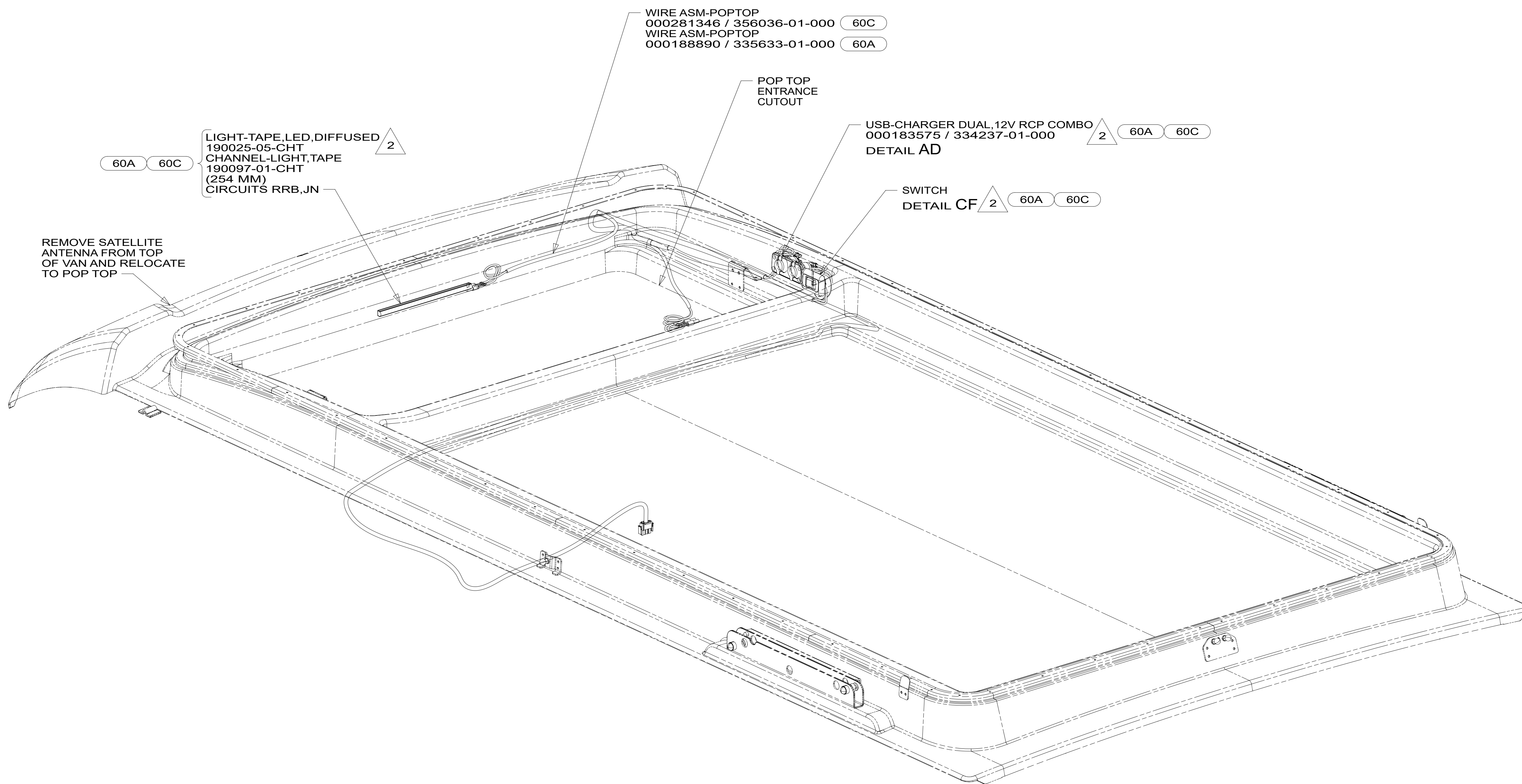
5

4

3

2

1



60A 60C

LIGHT-TAPE, LED, DIFFUSED
190025-05-CHT
CHANNEL-LIGHT, TAPE
190097-01-CHT
(254 MM)
CIRCUITS RRB, JN

REMOVE SATELLITE
ANTENNA FROM TOP
OF VAN AND RELOCATE
TO POP TOP

WIRE ASM-POPTOP
000281346 / 356036-01-000 60C
WIRE ASM-POPTOP
000188890 / 335633-01-000 60A

POP TOP
ENTRANCE
CUTOUT

USB-CHARGER DUAL, 12V RCP COMBO
000183575 / 334237-01-000 2 60A 60C
DETAIL AD

SWITCH
DETAIL CF 2 60A 60C

2 ATTACH WIRES FROM WIRE ASM-POP TOP TO COMPONENTS BEFORE POP TOP IS INSTALLED. ROUTE END OF WIRE ASM THROUGH HOLE IN ROOF AS POP TOP IS BEING INSTALLED FOR LATER CONNECTION.

1. AT MINIMUM ALL WIRES TO BE SUPPORTED AND SECURED PER CODE REQUIREMENTS. USE CLAMP 10495 OR 10497 OR WIRE TIE 8343 OR 108046 AND SCREW G67-XX-XXX OR G56-XX-XXX AS APPROPRIATE FOR INSTALLATION.

NOTES:

- 60C POP TOP-SLEEPNG CUSTOM
- 60A POP TOP - SLEEPING
- 265 CODES/STANDARDS-CSA/CMVSS
- 1B1 CODES/STANDARDS USA

FOR ELECTRICAL
TORQUE
SPECIFICATIONS
SEE DWG NO.
128783-01-000

FOR
ELECTRICAL
CALLOUTS SEE
DWG 000228177
344479-01-000

1B1 265	
DESCRIPTION: WIRING INSTL-BODY, 12V	
SHEET: 7 OF 8	ITEM/PART NO: 000200954 / 33712201000
REV	

8

7

6

5

4

3

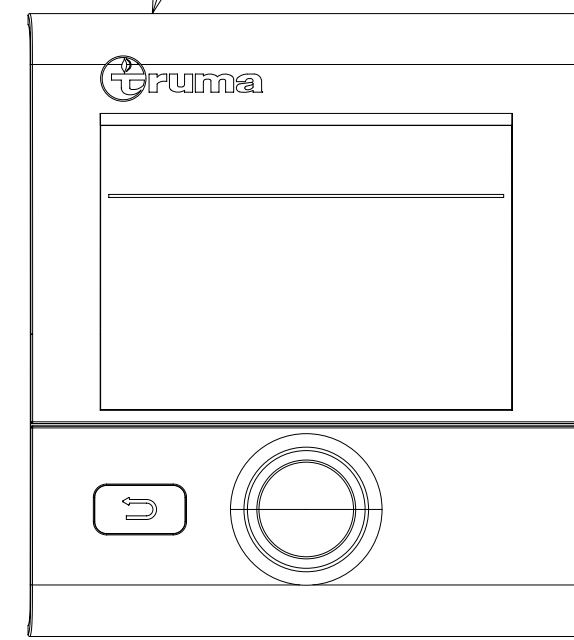
2

1

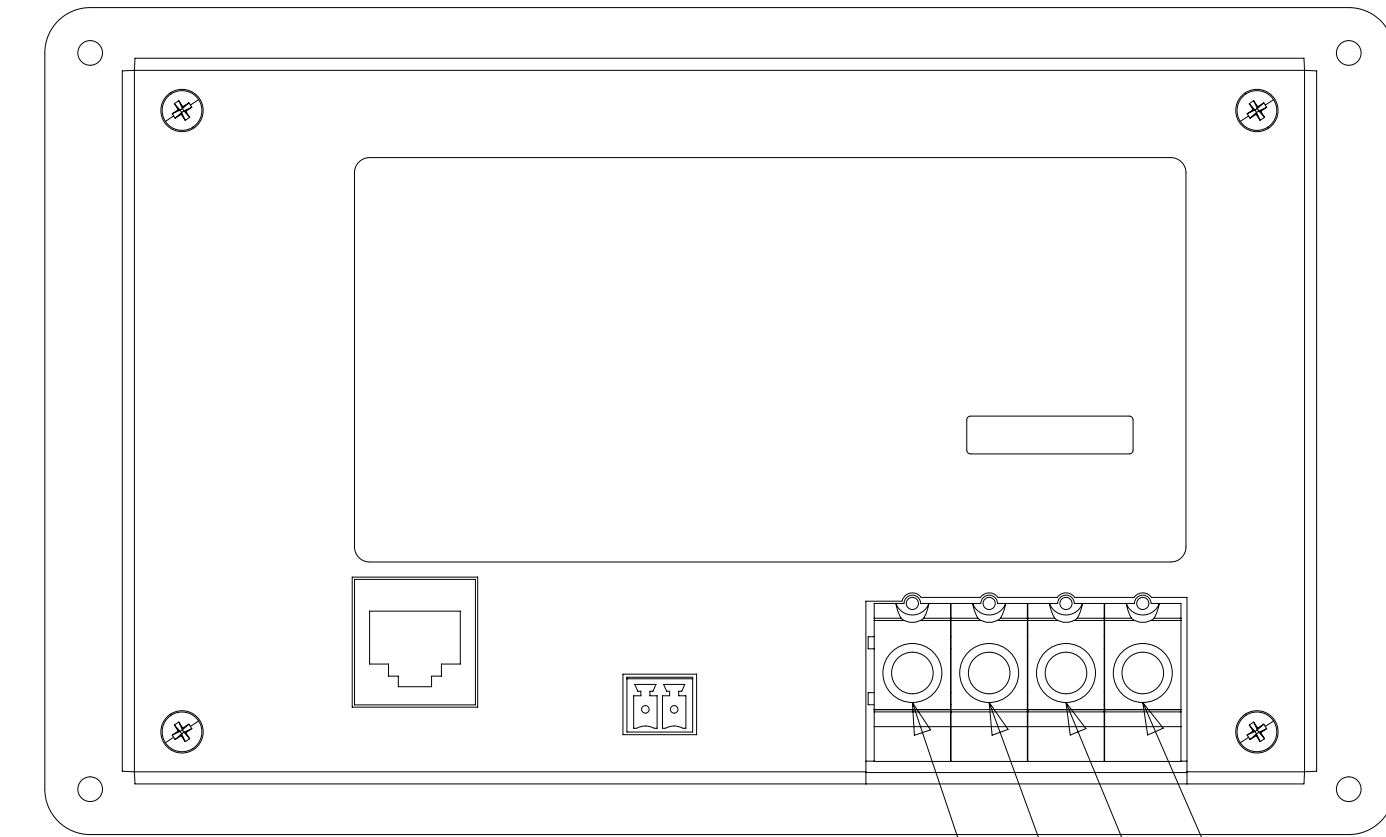
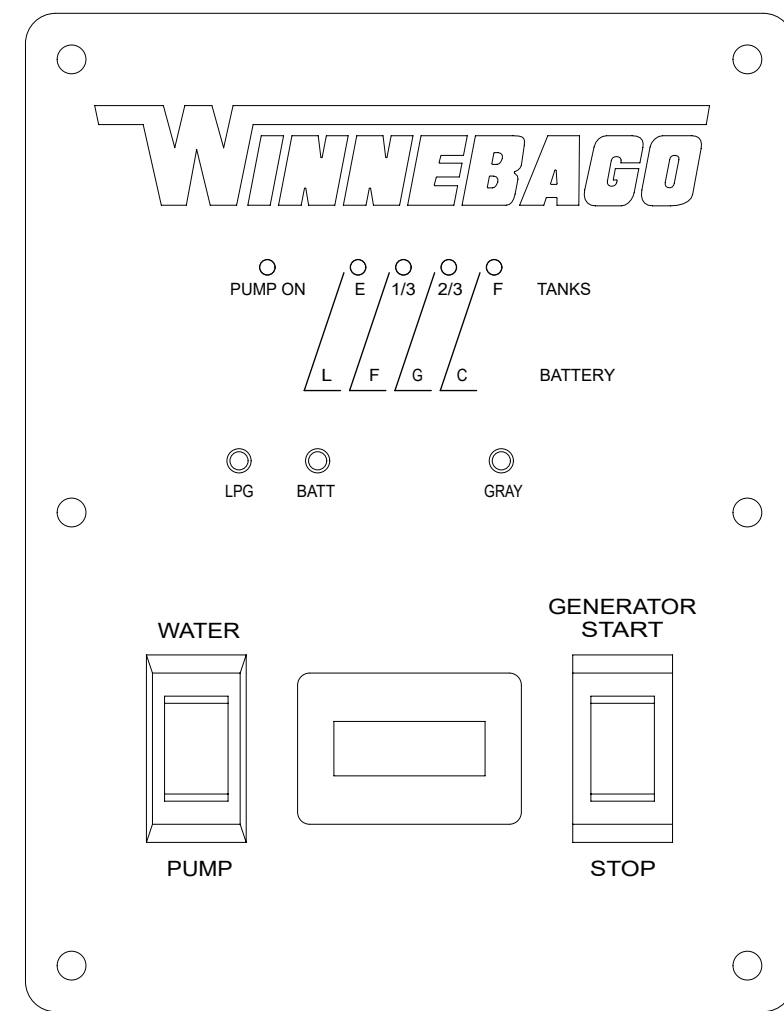
14-Nov-2023

8 7 6 5 4 3 2 1

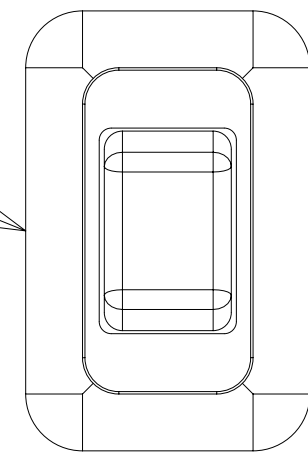
PANEL-CONTROL, TRUMA CP PLUS
000256121 / 350322-01-CHT
FUSE
062901-09-000



PANEL-MONITOR
000204892 / 338500-01-CHT

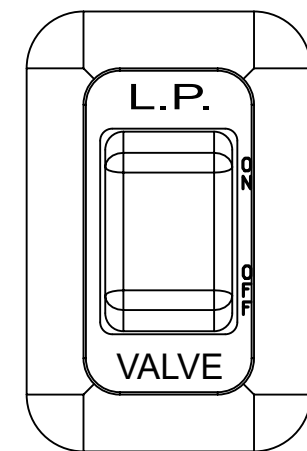
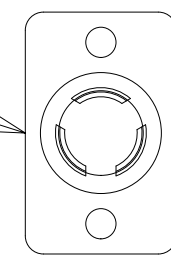


HOLDING TANK HEATER
TURN OFF When Not In Use
SEE OPERATORS MANUAL



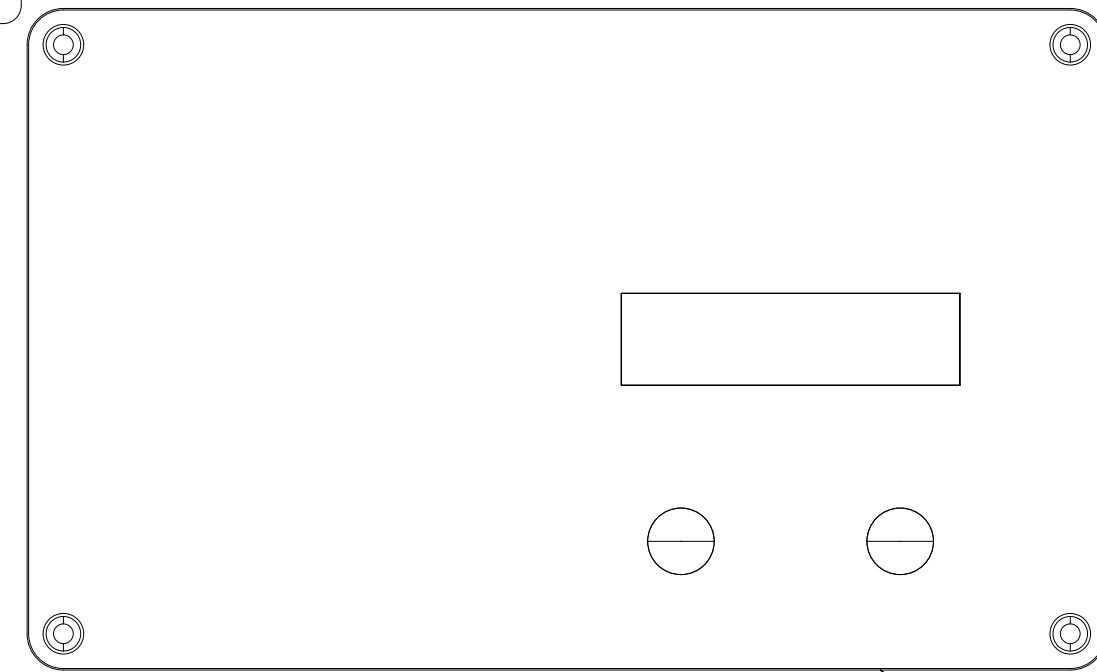
SWITCH
DETAIL CD

PLATE-TEMP SENSOR
192254-01-CHT
SENSOR-ROOM TEMPERATURE
192038-35-CHT



SWITCH
DETAIL CK

CONTROL-CHARGE, SOLAR 30 AMP
000202799 / 337769-01-000
DETAIL FB



VIEW FA

DETAIL FB 2

2 SEE WIRE ASM-SOLAR SYSTEM AND WIRE INSTL-CHASSIS FOR ADDITIONAL INFORMATION.

1. AT MINIMUM ALL WIRES TO BE SUPPORTED AND SECURED PER CODE REQUIREMENTS. USE CLAMP 10495 OR 10497 OR WIRE TIE 8343 OR 108046 AND SCREW G67-XX-XXX OR G56-XX-XXX AS APPROPRIATE FOR INSTALLATION.

NOTES:

265 CODES/STANDARDS-CSA/CMVSS

1B1 CODES/STANDARDS USA

1B1 265

FOR ELECTRICAL TORQUE SPECIFICATIONS SEE DWG NO. 128783-01-000

FOR ELECTRICAL CALLOUTS SEE DWG 000228177 344479-01-000

DESCRIPTION: **WIRING INSTL-BODY, 12V**

SHEET: 8 OF 8 ITEM/PART NO.: 000200954 / 33712201000 REV

8 7 6 5 4 3 2 1 14-Nov-2023