

FRONT  
OF  
COACH

- NOTES:
- 9 PARTS TO BE ASSEMBLED AND ABLE TO BE REMOVED AND STORED AS A SINGLE ASM.
  - 8. ALL CRIMP FITTINGS TO 1/2" PEX TUBING REQUIRE 1/2" CLAMP 000156249 / 326670-01-000.
  - 7. ALL CRIMP FITTINGS TO 5/8" PEX TUBING REQUIRE 5/8" CLAMP 000156248 / 326669-01-000.
  - 6 LABEL HOT AND COLD SUPPLY TUBES AND TAPE FITTING TO TUBE BEFORE CABINET SET TO PREVENT MOVEMENT.
  - 5 ADD PIPE WRAP (LADDER SCRAP 110157-02-000) INSULATION.
  - 4 ADD TEFLON TAPE 010405-02-000.
  - 3. ALL TUBING TO BE SECURED AT 1200 INTERVALS MAXIMUM WITH CLAMP 010495-01-000 AND SCREW 000G67-10-12U OR EQUIVALENT.
  - 2. TUBING TO BE INSTALLED WITH SUFFICIENT SLOPE TO PROVIDE DRAINAGE TO NEAREST VALVE.
  - 1. PLASTIC FITTINGS TO BE SEALED WITH SEALANT 084456-01-000.

44V BED-DOUBLE SIDEWALL



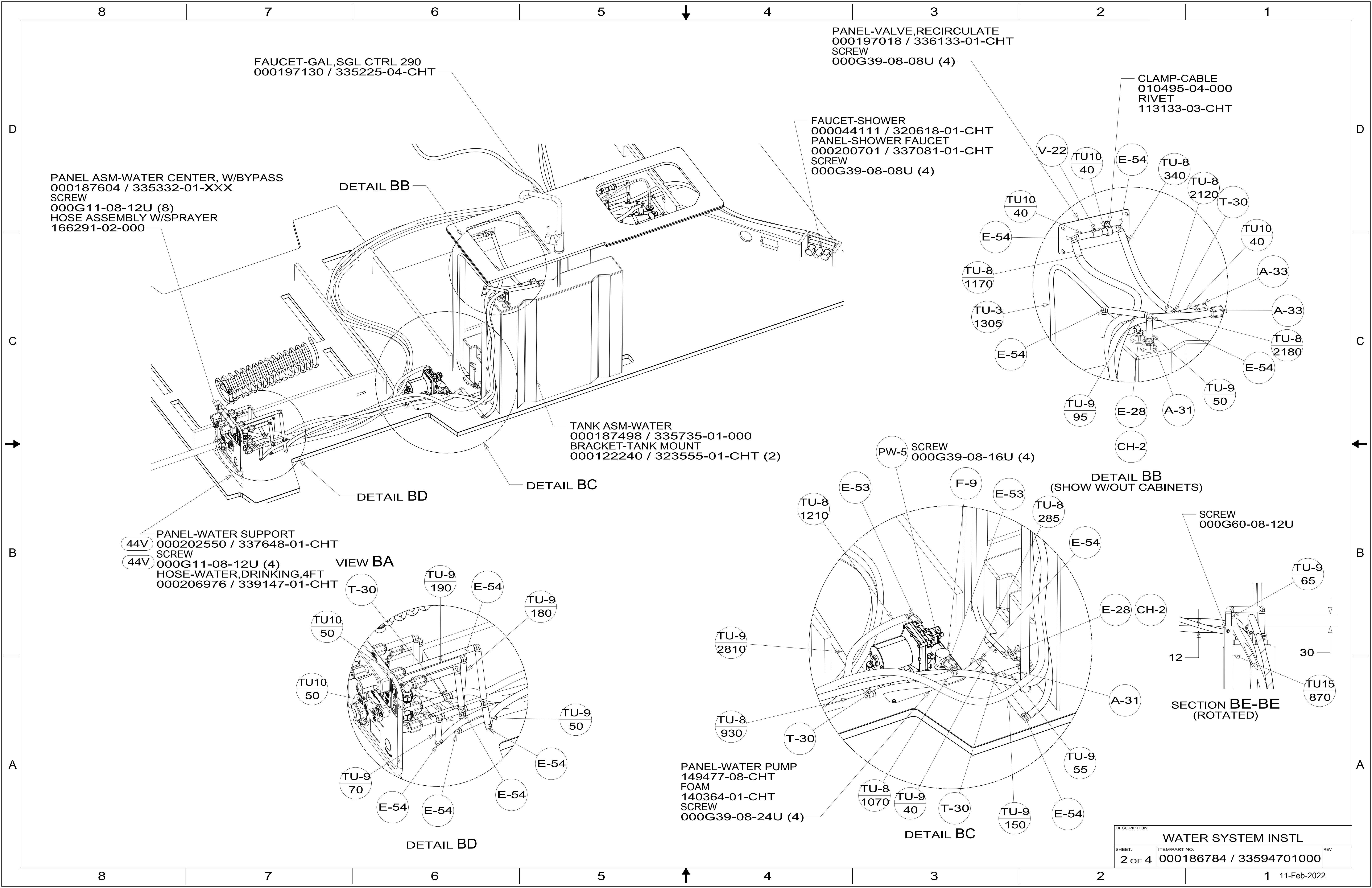
DSNR:		ALL DIMENSIONS ARE IN MILLIMETERS	
DIFTR:		MATERIAL:	
UNSPECIFIED TOLERANCES:			
WHOLE DIM (X)	: 3		
ONE-PLACE (X.X)	: 1.5		
TWO-PLACE (X.XX)	: 0.50		
ANGLE	: 1°		

REFER TO ES0018 FOR FASTENER TIGHTENING GUIDELINES	WEIGHT: (LBS)	FIRST USED: (REF)
		20 T59P

DESCRIPTION: WATER SYSTEM INSTL

SHEET:	ITEM/PART NO:	REV
1 OF 4	000186784 / 33594701000	

FOR WATER CALLOUTS SEE DWG NO. 000209446 / 303369-01-000



FAUCET-GAL,SGL CTRL 290  
000197130 / 335225-04-CHT

PANEL-VALVE,RECIRCULATE  
000197018 / 336133-01-CHT  
SCREW  
000G39-08-08U (4)

CLAMP-CABLE  
010495-04-000  
RIVET  
113133-03-CHT

FAUCET-SHOWER  
000044111 / 320618-01-CHT  
PANEL-SHOWER FAUCET  
000200701 / 337081-01-CHT  
SCREW  
000G39-08-08U (4)

PANEL ASM-WATER CENTER, W/BYPASS  
000187604 / 335332-01-XXX  
SCREW  
000G11-08-12U (8)  
HOSE ASSEMBLY W/SPRAYER  
166291-02-000

DETAIL BB

TANK ASM-WATER  
000187498 / 335735-01-000  
BRACKET-TANK MOUNT  
000122240 / 323555-01-CHT (2)

DETAIL BC

DETAIL BD

PANEL-WATER SUPPORT  
44V 000202550 / 337648-01-CHT  
SCREW  
44V 000G11-08-12U (4)  
HOSE-WATER, DRINKING, 4FT  
000206976 / 339147-01-CHT

VIEW BA

DETAIL BC  
(SHOW W/OUT CABINETS)

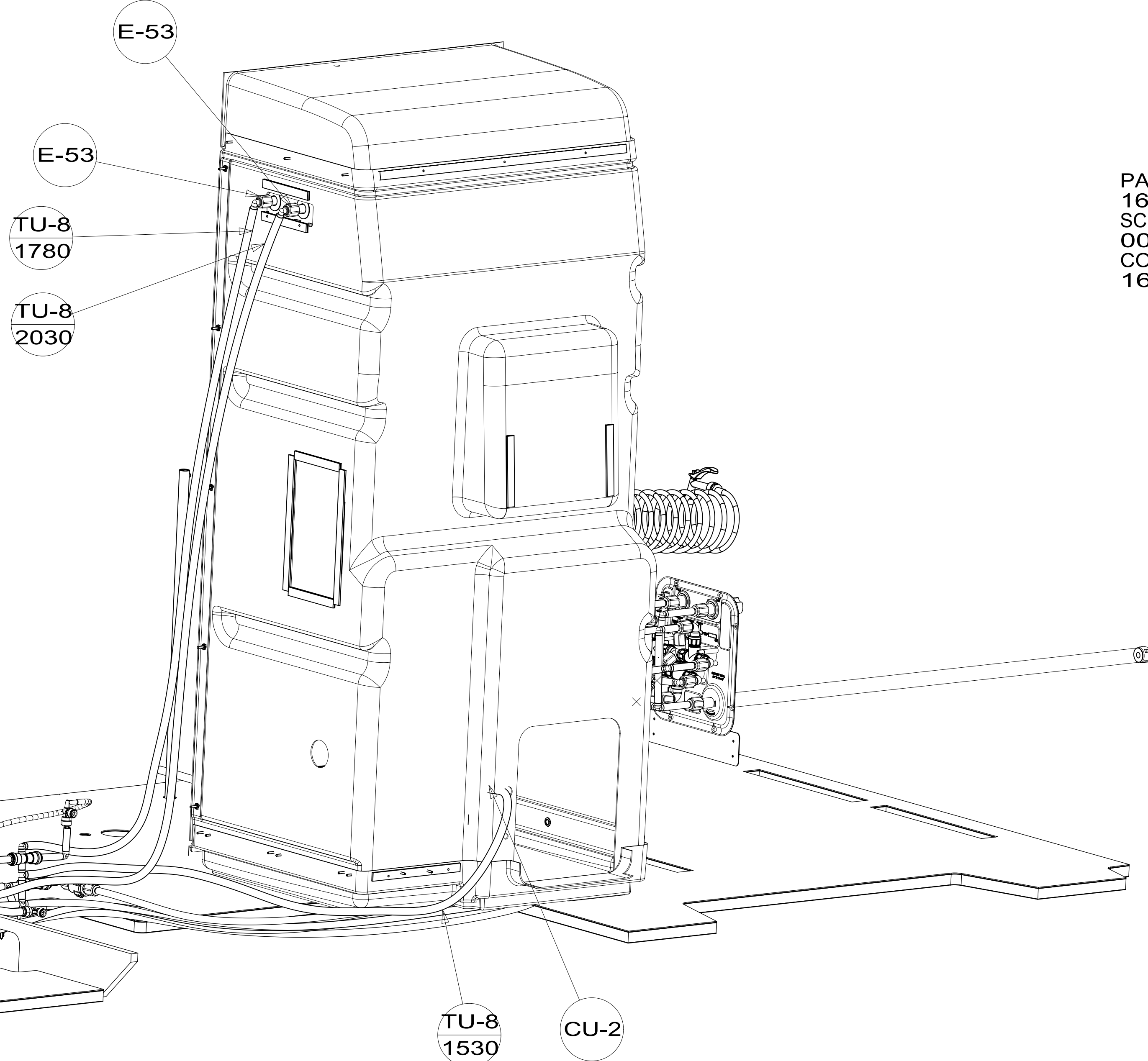
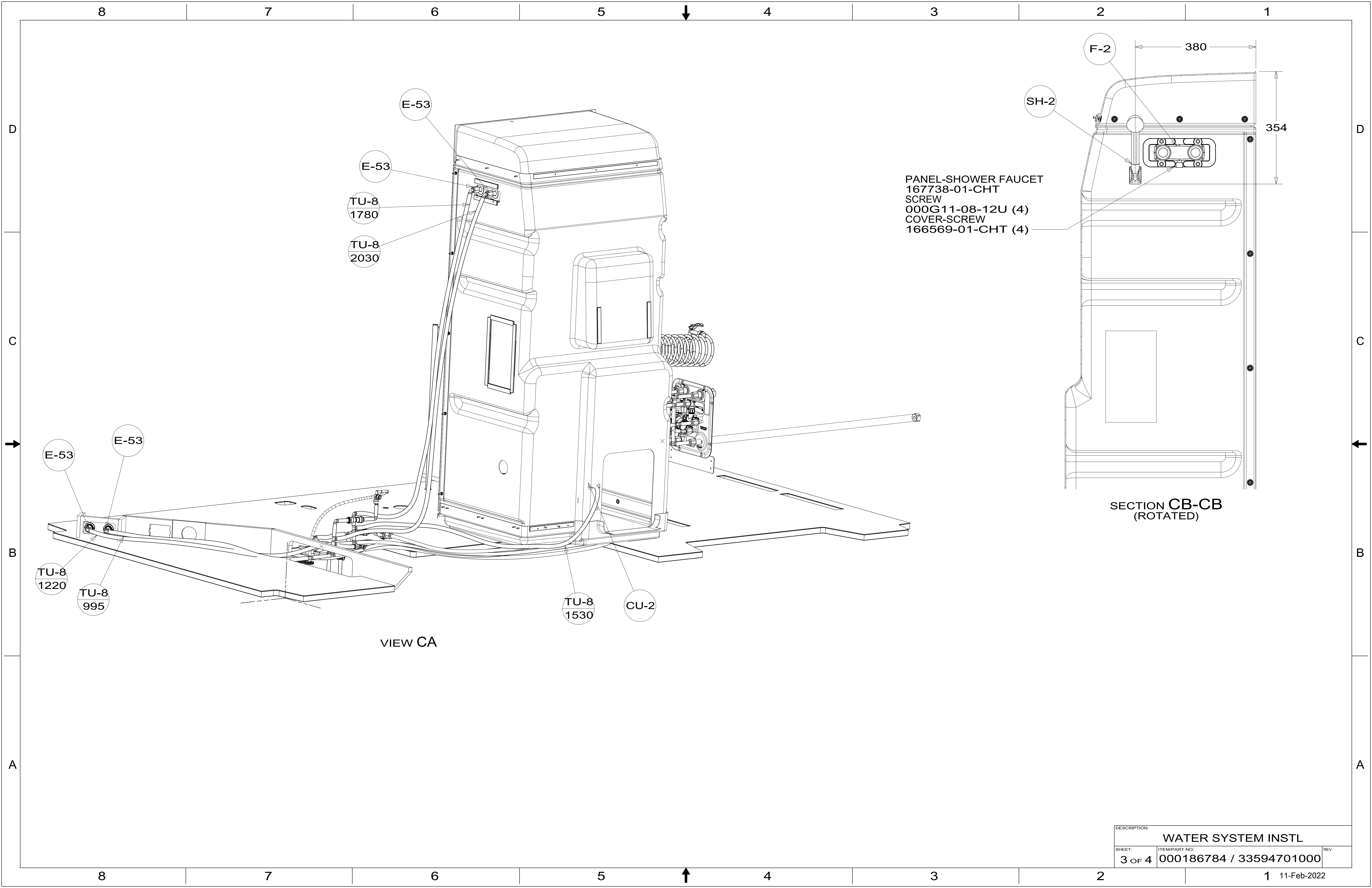
SCREW  
000G60-08-12U

SECTION BE-BE  
(ROTATED)

PANEL-WATER PUMP  
149477-08-CHT  
FOAM  
140364-01-CHT  
SCREW  
000G39-08-24U (4)

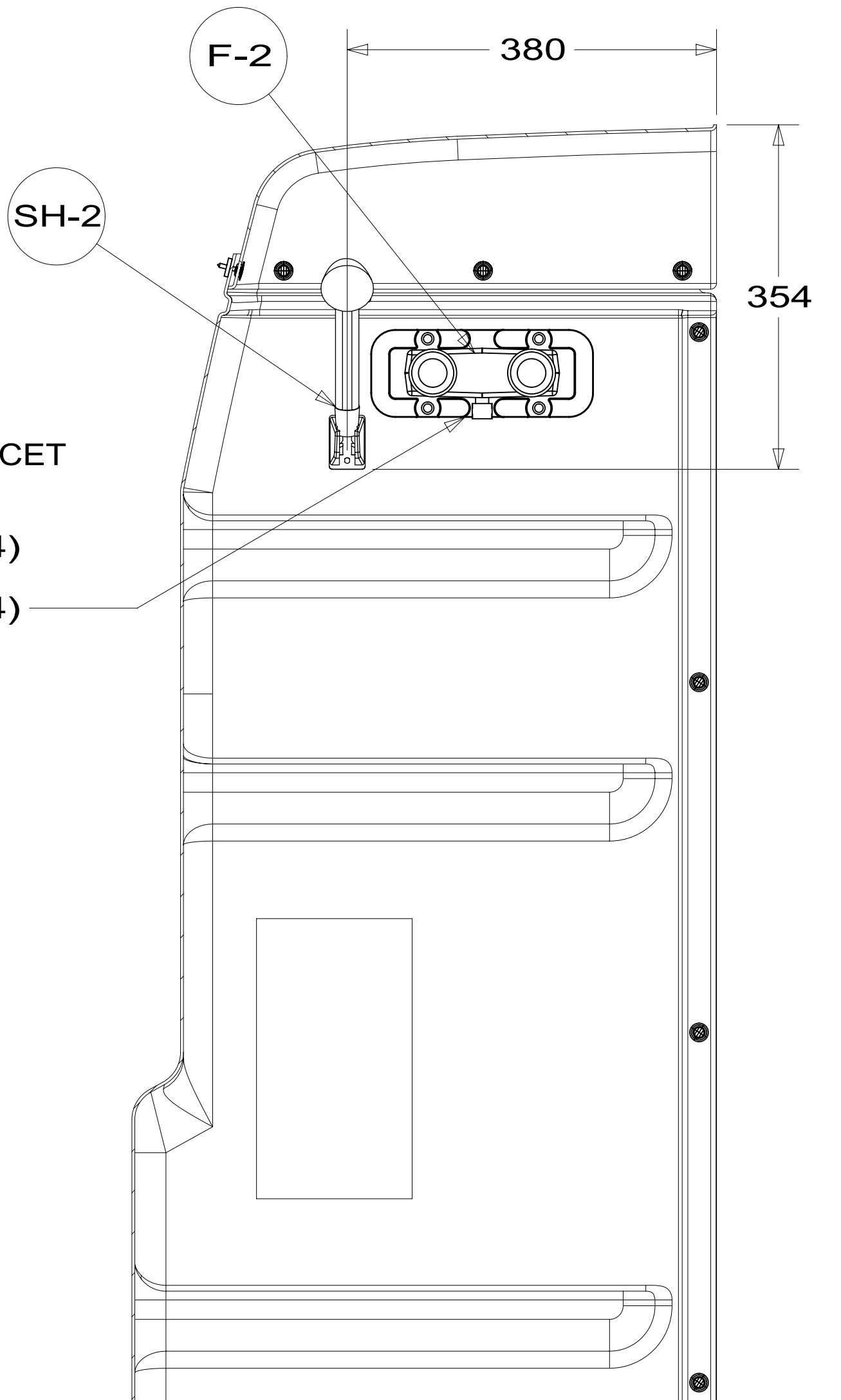
DETAIL BC

DESCRIPTION: WATER SYSTEM INSTL		
SHEET: 2 OF 4	ITEM/PART NO: 000186784 / 33594701000	REV



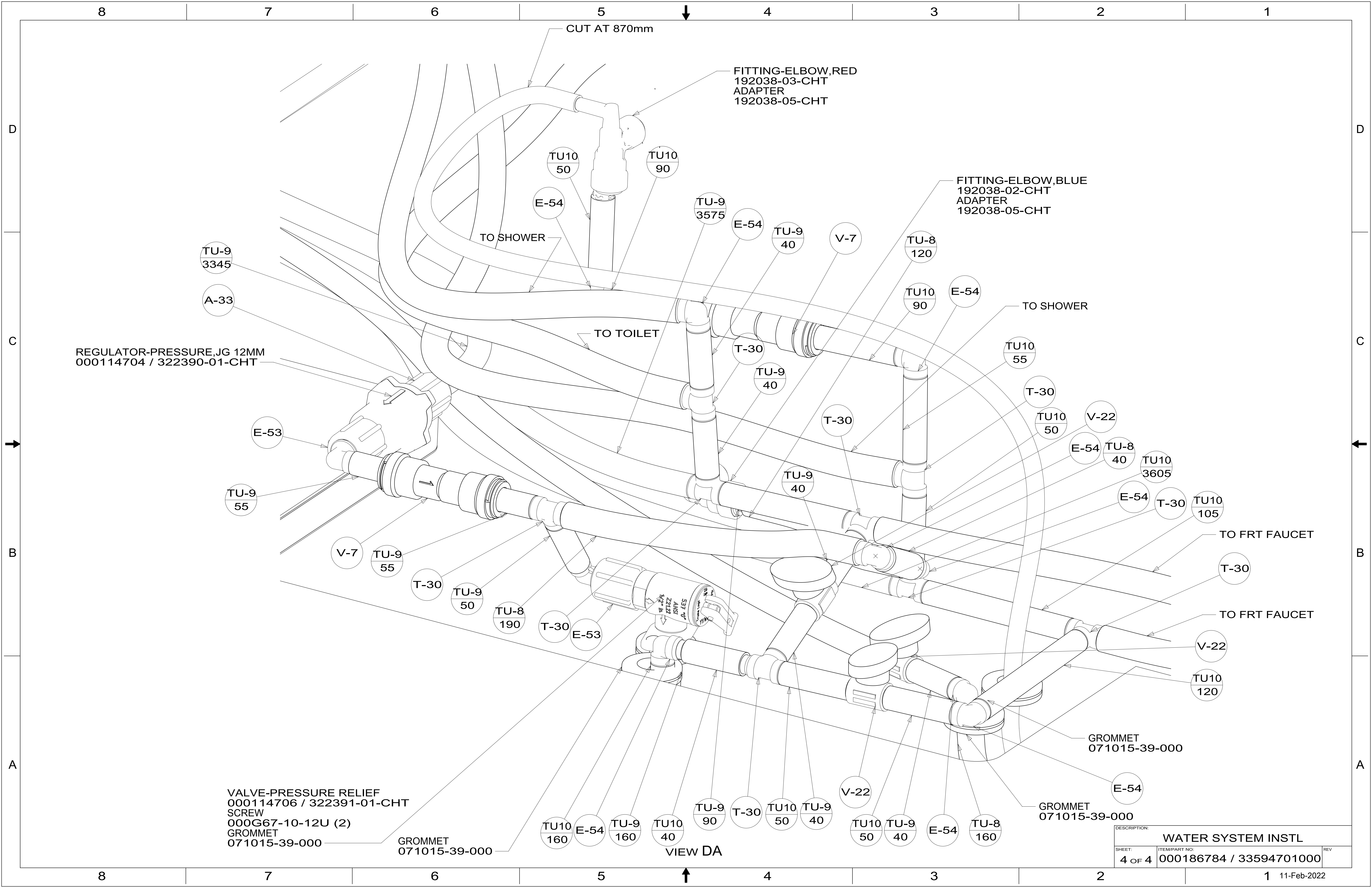
VIEW CA

PANEL-SHOWER FAUCET  
 167738-01-CHT  
 SCREW  
 000G11-08-12U (4)  
 COVER-SCREW  
 166569-01-CHT (4)



SECTION CB-CB  
 (ROTATED)

DESCRIPTION:		
WATER SYSTEM INSTL		
SHEET:	ITEM/PART NO.:	REV
3 OF 4	000186784 / 33594701000	



DESCRIPTION:		
WATER SYSTEM INSTL		
SHEET:	ITEM/PART NO:	REV
4 OF 4	000186784 / 33594701000	