

8 7 6 5 4 3 2 1

D

D

C

C

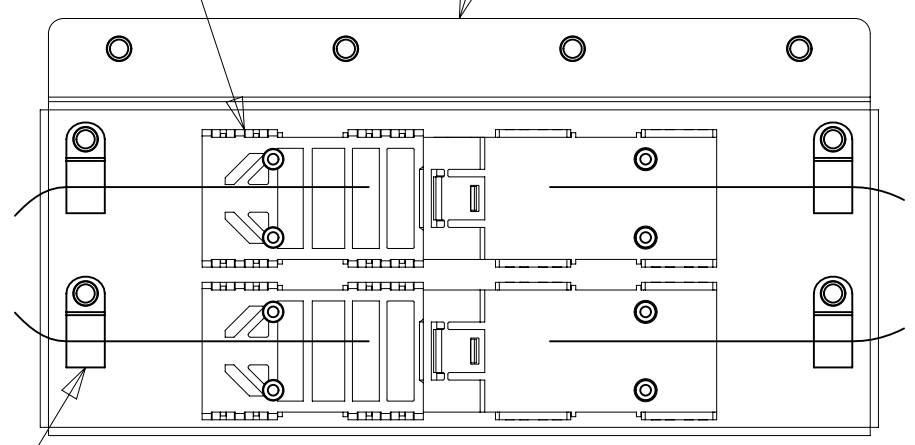
B

B

A

A

CONNECTOR-WIRE (REF) SCREW 000G39-06-16U (8)
 BRACKET-110V CONNECTOR, MOUNT 000162989 / 328834-01-CHT SCREW-PAN, HEAD 000G39-08-08U (4)



DETAIL AA

CLAMP 010495-01-000 (4) SCREW-PAN, HEAD 000G39-08-08U (4)

RCP-2 (BLU) DINETTE OVHD

INVERTER PANEL AND ETHERNET CABLE (SUPPLIED WITH INVERTER)

25Q THROW IN WIRE #1

259 CONNECTOR-WIRE, NM, CLEAR 144283-02-000

110V (RED) TO ROOF A/C

SP-06 RCP-2 (BLU) BEDROOM, HIGH

INVERTER-2000 WATT, 80 AMP CHARGE 000160559 / 328076-01-000 CONNECTOR-PLASTIC 008356-01-000 (2) RIVET-POP-AL 3/16X.08-.375 118626-01-CHT (4)

INLET-30A, 125V, EXTERIOR 000253784 / 349698-01-000 BRACKET-PLUG 168924-01-CHT SCREW 000G39-08-16U (4)

RCP-1 (WHT) HEATER

RECEPTACLE ASM-GFI, US-15A 000120175 / 322736-01-XXX RECEPTACLE ASM-GFI, CAN-15A 000120176 / 322737-01-XXX (BLU) (DINETTE)

LOAD CENTER ASM 000190909 / 335767-01-000

MODULE-POWER SHARE SWITCH DETAIL CC

TO RIGHT SIDE

110V CONNECTIONS DETAIL AA

RCP-2 (BLU) BEDROOM, LOW

4 LOAD CENTER AND ATS GROUND WIRES MUST BE ATTACHED DIRECTLY TO CHASSIS GROUND.

3 SEE SHEET 4 FOR ADDITIONAL INFORMATION.

2. ALL 110V WIRES TO BE CLAMPED WITH CLAMP 10497-05-000 WITHIN 200MM OF OUTLET BOXES, USE SCREW G67-10-12U.

1. AT MINIMUM ALL WIRES TO BE SUPPORTED AND SECURED PER CODE REQUIREMENTS. USE CLAMP 10495 OR 10497 OR WIRE TIE 8343 OR 108046 AND SCREW G67-XX-XXX OR G56-XX-XXX AS APPROPRIATE FOR INSTALLATION.

NOTES:

FOR ELECTRICAL TORQUE SPECIFICATIONS SEE DWG NO. 128783-01-000

FOR ELECTRICAL CALLOUTS SEE DWG 000228177 344479-01-000

- 25Q A/C
- 259 A/C-WITHOUT
- 265 CODES/STANDARDS-CSA/CMVSS
- 1B1 CODES/STANDARDS USA

1B1 265



COPYRIGHT 2023 WINNEBAGO INDUSTRIES, INC.

DSNR:	ALL DIMENSIONS ARE IN MILLIMETERS	
DFFR:	MATERIAL:	
UNSPECIFIED TOLERANCES:		
WHOLE DIM (X)	: 3	
ONE-PLACE (X.X)	: 1.5	
TWO-PLACE (X.XX)	: 0.50	
ANGLE	: 1°	

REFER TO ES0018 FOR FASTENER TIGHTENING GUIDELINES

WEIGHT: (LBS) FIRST USED: 20 B44E

WIRING INSTL-BODY, 110V

SHEET: 1 OF 4 ITEM/PART NO.: 000186385 / 33515001000 REF: 1 24-Apr-2023

8 7 6 5 4 3 2 1

8

7

6

5



4

3

2

1

D

D

C

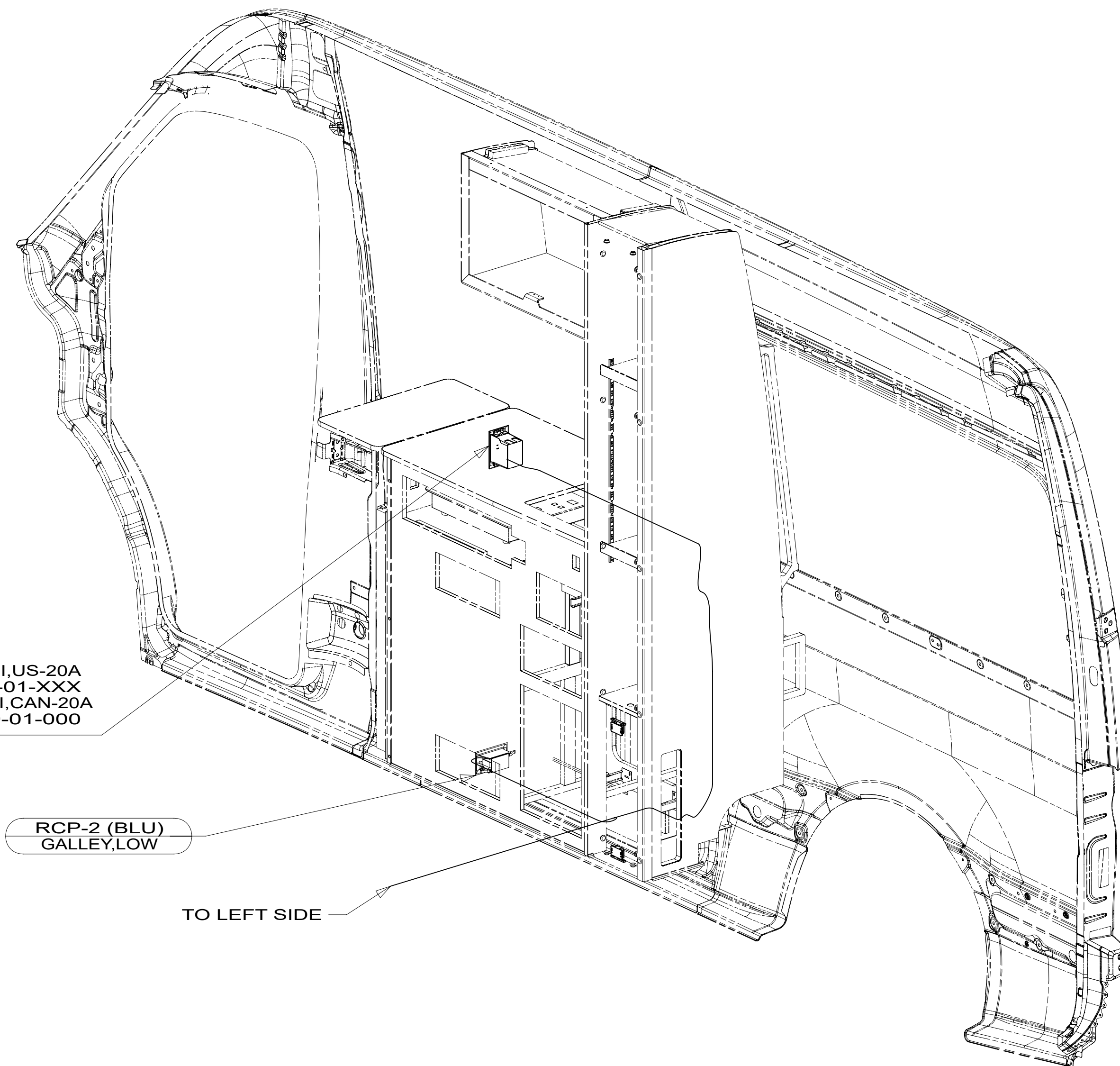
C

B

B

A

A



1B1 RECEPTACLE ASM-GFI,US-20A
000120177 / 322738-01-XXX
265 RECEPTACLE ASM-GFI,CAN-20A
000120178 / 332739-01-000
(BLK-2)(RANGE)

RCP-2 (BLU)
GALLEY,LOW

TO LEFT SIDE

- NOTES:
1. AT MINIMUM ALL WIRES TO BE SUPPORTED AND SECURED PER CODE REQUIREMENTS. USE CLAMP 10495 OR 10497 OR WIRE TIE 8343 OR 108046 AND SCREW G67-XX-XXX OR G56-XX-XXX AS APPROPRIATE FOR INSTALLATION.
 2. ALL 110V WIRES TO BE CLAMPED WITH CLAMP 10497-05-000 WITHIN 200MM OF OUTLET BOXES, USE SCREW G67-10-12U.

265 CODES/STANDARDS-CSA/CMVSS
1B1 CODES/STANDARDS USA

FOR ELECTRICAL TORQUE SPECIFICATIONS SEE DWG NO. 128783-01-000

FOR ELECTRICAL CALLOUTS SEE DWG 000228177 344479-01-000

DESCRIPTION:	
1B1 265 WIRING INSTL-BODY,110V	
SHEET:	ITEM/PART NO. REV
2 OF 4	000186385 / 33515001000

8

7

6

5



4

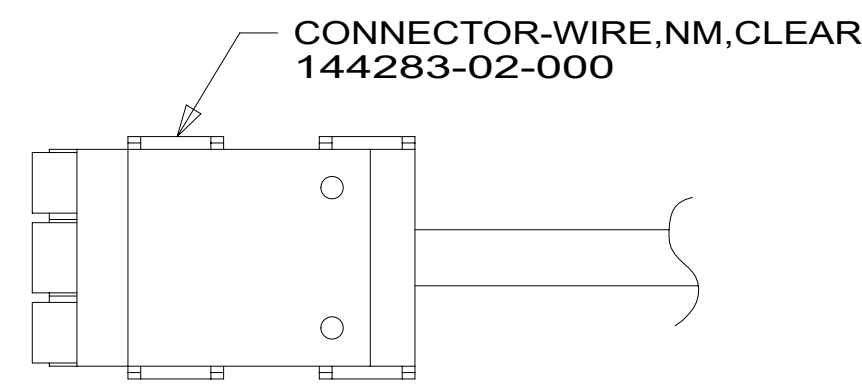
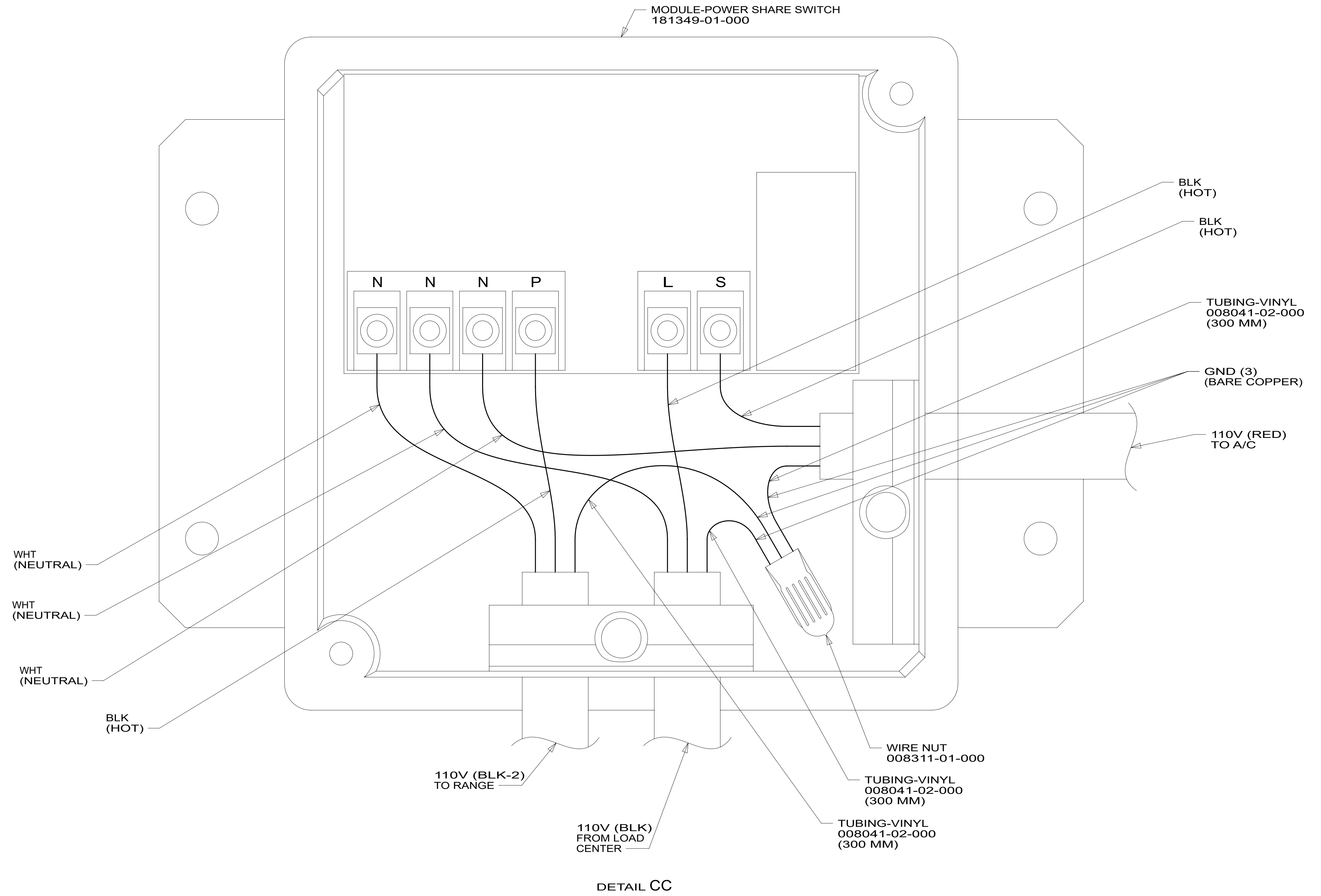
3

2

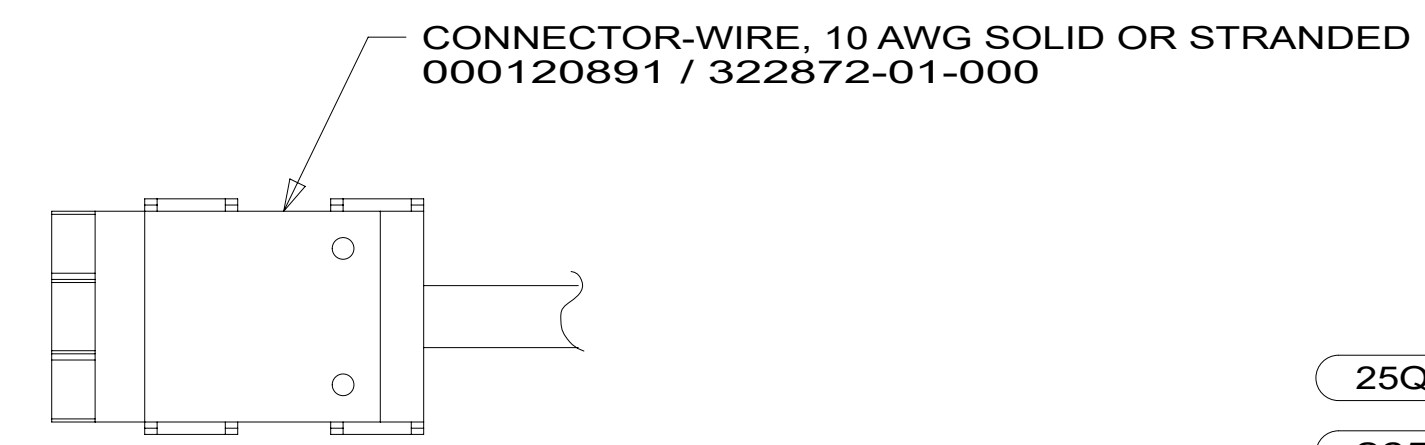
1

24-Apr-2023

BLK	1B1	136135-06-008	
	265	136136-06-008	
RED	1B1	136135-07-061	4
	265	136136-07-061	4
BLK-2	1B1	136135-22-044	
	265	136136-22-044	
BLU	1B1	136131-02-121	
	265	136134-02-121	
WHT	1B1	136131-09-011	
	265	136134-09-011	
ORG	1B1	136137-01-030	5 6
	265	136138-01-030	5 6
THROW IN WIRE #3	1B1	136137-01-009	5 6
	265	136138-01-009	5 6
ORG-2	1B1	136137-01-030	5 7
	265	136138-01-030	5 7
THROW IN WIRE #4	1B1	136137-01-009	5 7
	265	136138-01-009	5 7
MAIN	1B1	136137-01-037	
	265	136138-01-037	
THROW IN WIRE #1	1B1	136135-07-007	25Q 4
	265	136136-07-007	25Q 4
POWER CORD		000279650 / 355590-01-000	8
THROW IN WIRE #5	1B1	136131-02-023	
	265	136134-02-023	



DETAIL CA



DETAIL CB

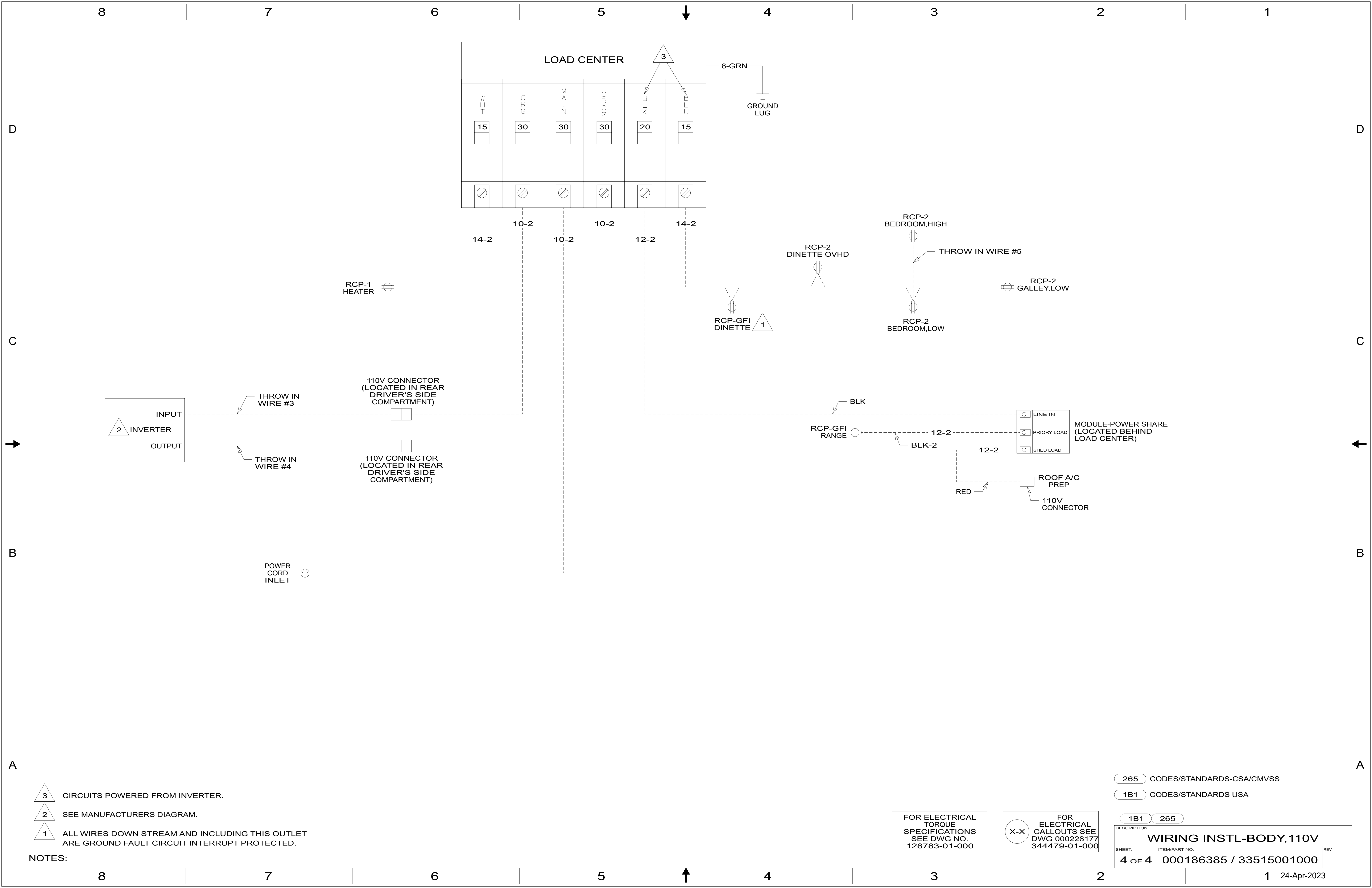
FOR ELECTRICAL
TORQUE
SPECIFICATIONS
SEE DWG NO.
128783-01-000

FOR ELECTRICAL
CALLOUTS SEE
DWG 000228177
344479-01-000

- 25Q A/C
- 265 CODES/STANDARDS-CSA/CMVSS
- 1B1 CODES/STANDARDS USA

1B1	265	
DESCRIPTION: WIRING INSTL-BODY, 110V		
SHEET: 3 OF 4	ITEM/PART NO: 000186385 / 33515001000	REV

- NOTES:
- 8 DO NOT HIPOT POWERCORD, LED INDICATOR LIGHT MAY FAIL.
 - 7 MARK CABLE WITH (2) WRAPS OF ORG TAPE.
 - 6 MARK CABLE WITH (1) WRAP OF ORG TAPE.
 - 5 SEE DETAIL CB FOR CONNECTOR INSTALLATION.
 - 4 SEE DETAIL CA FOR CONNECTOR INSTALLATION.
 3. SEE WIRING INSTL-BODY, 12V FOR ADDITIONAL INFORMATION.
 2. SECURE WIRES TO BACKSIDE OF LOAD CENTER WITH WIRE TIE 116673-01-000.
 1. ALL GROUNDS WIRES TO BE COVERED WITH TUBING 8041-02-000.



- NOTES:
- 3 CIRCUIITS POWERED FROM INVERTER.
 - 2 SEE MANUFACTURERS DIAGRAM.
 - 1 ALL WIRES DOWN STREAM AND INCLUDING THIS OUTLET ARE GROUND FAULT CIRCUIT INTERRUPT PROTECTED.

265 CODES/STANDARDS-CSA/CMVSS
 1B1 CODES/STANDARDS USA

FOR ELECTRICAL TORQUE SPECIFICATIONS SEE DWG NO. 128783-01-000

FOR ELECTRICAL CALLOUTS SEE DWG 000228177 344479-01-000

DESCRIPTION:	
WIRING INSTL-BODY, 110V	
SHEET:	ITEM/PART NO.:
4 OF 4	000186385 / 33515001000
REV	