

- TV-50 UHD, SAMSUNG  
000220716 / 342305-01-000
- PLATE-MOUNTING ASM, TV  
000196862 / 336096-01-CHT
- BOLT  
OMC05U-08-055 (4)
- WASHER  
OME02U-08-128 (4)
- PLATE-MOUNTING ASM, TV  
000181080 / 333681-01-CHT
- NUT  
D39-05-00U (4)
- BRACKET-TV SWING MOUNT,DUAL  
179241-04-CHT
- SCREW  
G42-04-16U (12)
- NUT  
D24-10-00U (8)
- BOLT-HOOD ADJ  
058786-04-000 (2)
- NUT  
D39-05-00U (2)

- CABLE ASM-COAX  
87105-09-030
- CABLE-HDMI  
165308-05-000 (2)
- PLATE-W/HOLES  
000030637 / 316755-01-CHT
- GROMMET-EDGE LINER  
114208-01-000

- RECEIVER-INFRA-RED,IMPACT  
149750-13-000
- BLU-RAY PLAYER W/WIFI  
000247579 / 348463-01-000
- FASTENER-DUAL LOCK  
85774-01-000 (200 MM)
- 85774-02-000 (200 MM)

- SPEAKER-SOUNDBAR,WIRELESS SUB, SAMSUNG  
000268893 / 353230-01-000
- FASTENER-DUAL LOCK  
085774-01-000 (50 MM) (2)
- 085774-02-000 (50 MM) (2)

- SUBWOOFER (REF)  
BRACE  
172938-01-CHT
- SCREW  
G11-08-12U (2)
- PLATE-WALL,TRIPLE COAX  
149557-10-CHT (787) OR (78C)
- 149557-09-CHT (789)
- SCREW  
G67-10-08U (2)

- RECEIVER-DISH,WALLY  
000100988 / 327103-01-000
- FASTENER-DUAL LOCK  
85774-01-000 (200 MM)
- 85774-02-000 (200 MM)
- SPLITTER-HDMI, 1X2  
178632-01-000
- 85774-01-000 (100 MM)
- 85774-02-000 (100 MM)
- (INPUT-BLU RAY  
OUTPUT 1-MAIN 1  
OUTPUT 2-EXT 2)  
CABLE-HDMI  
165308-03-000 (5)

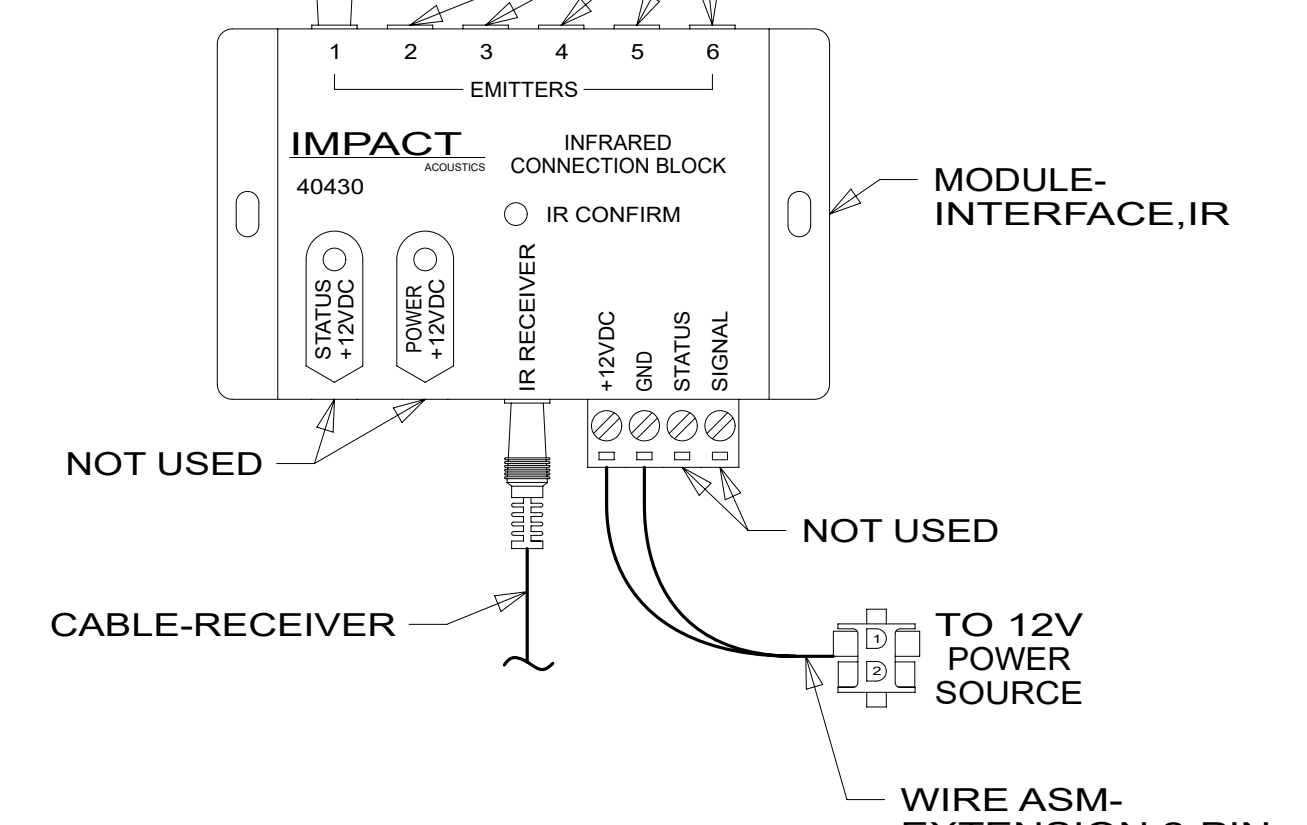
- MODULE-INTERFACE,IR INPUT  
149750-09-000
- WIRE ASM- EXTENSION,2 PIN  
000028274 / 316209-01-000
- DETAIL AA

- 4 WIRE ROUTED THROUGH SIDEWALL TO COMPONENTS.
- 3 CABLE ROUTED THROUGH GROMMET FROM ROOF.
- 2 POSITION IR EMITTER OVER IR RECIEVER ON DVD PLAYER.
- 1 INTERIOR CONTROL CONNECTS TO SATELLITE DATA CABLE. SEE ROOF ASM FOR ADDITIONAL INFORMATION.
- 5 CABLE CONNECTS TO BLURAY PLAYER AND HDMI SPLITTER INPUT.

- RCP-2 (PUR) ROUTER
- RCP-2 (PUR) OVHD FRONT
- PLATE-WALL, POWER SUPPLY  
179004-02-CHT
- PANEL ASM-VINYL COVERED  
000196909 / 336116-01-XXX
- GROMMET-EDGE LINER  
114208-05-000
- CONTROL-INTERIOR (787)  
183415-05-000 (787)  
183415-02-000 (789)  
FASTENER-DUAL LOCK  
85774-01-000 (200 MM)
- 85774-02-000 (200 MM)
- ROUTER-EXTENDER, WIFI, 3 ANTENNA  
000175238 / 332460-01-000
- FASTENER-DUAL LOCK  
085774-01-000 (200 MM)
- 085774-02-000 (200 MM)

- RECEIVER-DISH,WALLY  
000100988 / 327103-01-000
- FASTENER-DUAL LOCK  
85774-01-000 (200 MM)
- 85774-02-000 (200 MM)

- MODULE-INTERFACE,IR
- WIRE ASM-EXTENSION,2-PIN



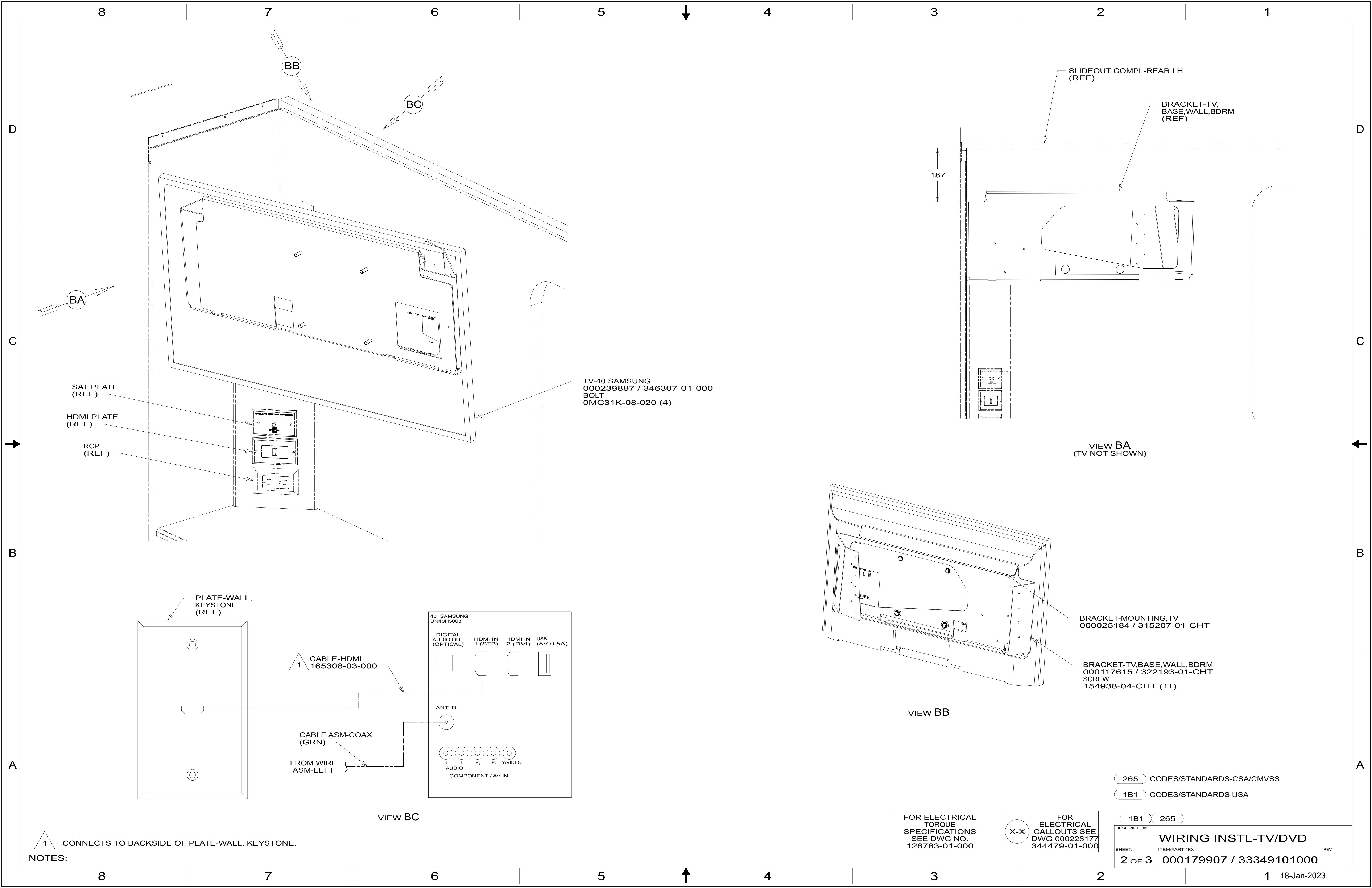
- 789 SAT ANT, AUTO DISH NETWORK
- 787 SAT TV ANT, AUTO DIRECTV
- 78C SATELLITE SYSTEM READY
- 265 CODES/STANDARDS-CSA/CMVSS
- 1B1 CODES/STANDARDS USA

<b>WINNEBAGO</b>	
COPYRIGHT 2016 WINNEBAGO INDUSTRIES, INC.	
DSNR:	ALL DIMENSIONS ARE IN MILLIMETERS
DFFR:	
UNSPECIFIED TOLERANCES:	MATERIAL:
WHOLE DIM (X) : 3	
ONE-PLACE (X.X) : 1.5	
TWO-PLACE (X.XX) : 0.50	
ANGLE : 1°	
REFER TO ES0018 FOR FASTENER TIGHTENING GUIDELINES	WEIGHT: (LBS) FIRST USED: <b>20 L36H</b>
<b>DESCRIPTION:</b> <b>WIRING INSTL-TV/DVD</b>	
SHEET: <b>1 OF 3</b>	ITEM/PART NO.: <b>000179907 / 33349101000</b>
REF:	<b>1 18-Jan-2023</b>

FOR ELECTRICAL TORQUE SPECIFICATIONS SEE DWG NO. 128783-01-000

FOR ELECTRICAL CALLOUTS SEE DWG 000228177 344479-01-000

NOTES:



TV-40 SAMSUNG  
000239887 / 346307-01-000  
BOLT  
OMC31K-08-020 (4)

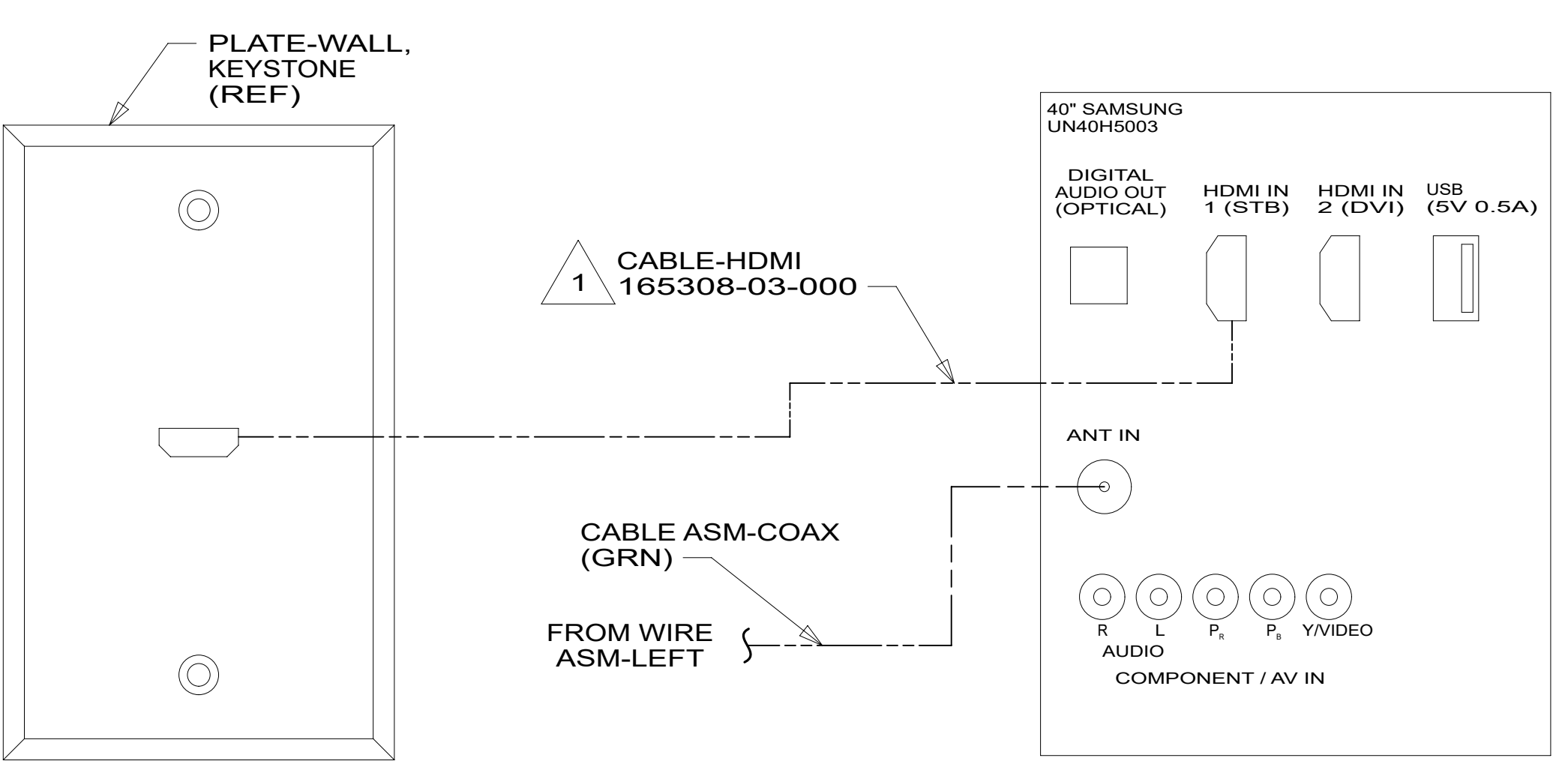
SLIDEOUT COMPL-REAR,LH  
(REF)  
BRACKET-TV,  
BASE,WALL,BDRM  
(REF)

SAT PLATE  
(REF)  
HDMI PLATE  
(REF)  
RCP  
(REF)

VIEW BA  
(TV NOT SHOWN)

BRACKET-MOUNTING,TV  
000025184 / 315207-01-CHT  
BRACKET-TV,BASE,WALL,BDRM  
000117615 / 322193-01-CHT  
SCREW  
154938-04-CHT (11)

VIEW BB



VIEW BC

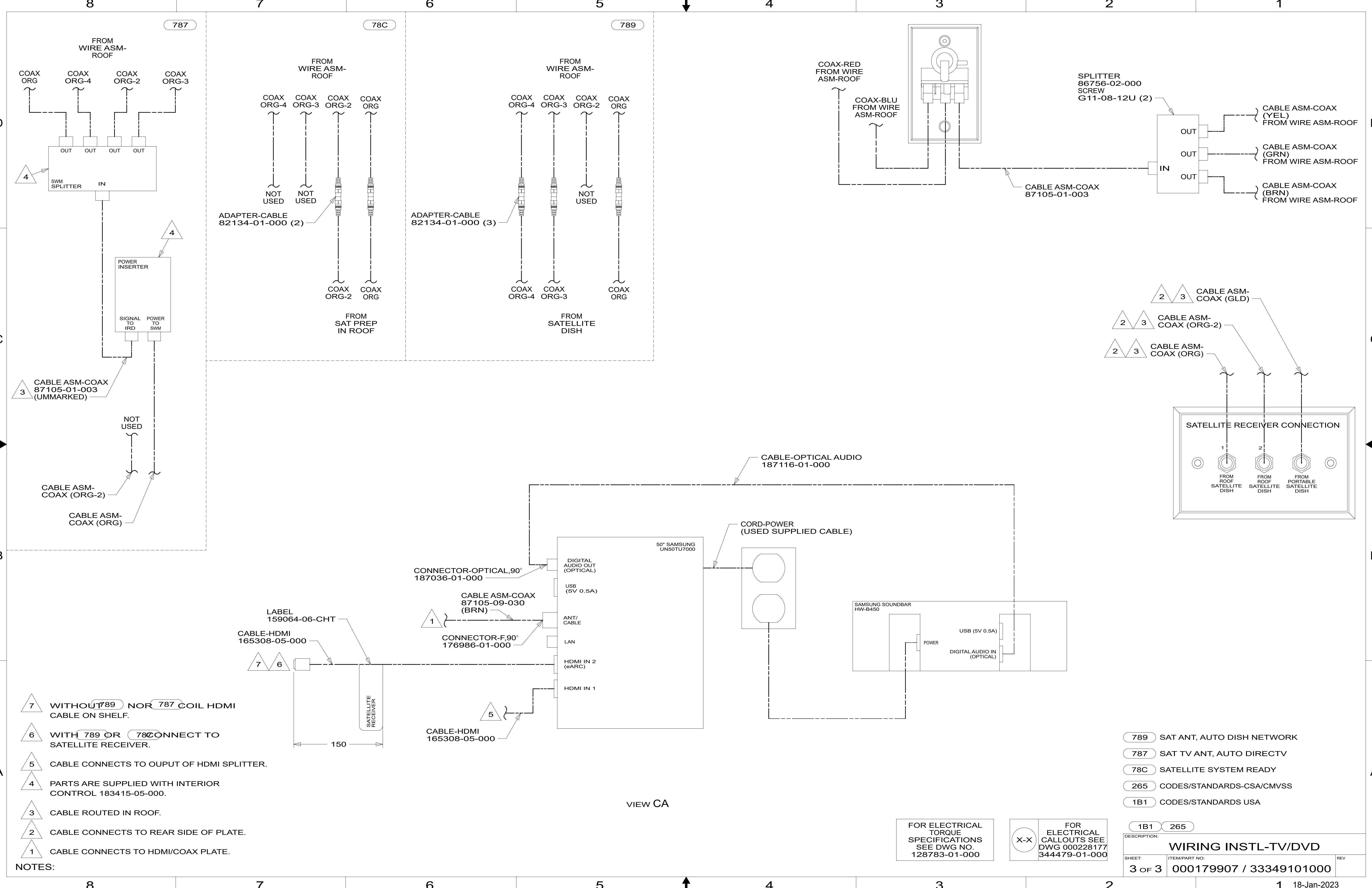
NOTES:  
1 CONNECTS TO BACKSIDE OF PLATE-WALL, KEYSTONE.

265 CODES/STANDARDS-CSA/CMVSS  
1B1 CODES/STANDARDS USA

FOR ELECTRICAL  
TORQUE  
SPECIFICATIONS  
SEE DWG NO.  
128783-01-000

FOR ELECTRICAL  
CALLOUTS SEE  
DWG 000228177  
344479-01-000

DESCRIPTION: <b>WIRING INSTL-TV/DVD</b>	
SHEET: 2 OF 3	ITEM/PART NO: 000179907 / 33349101000
REV 1 18-Jan-2023	



- NOTES:**
- 7 WITHOUT 789 NOR 787 COIL HDMI CABLE ON SHELF.
  - 6 WITH 789 OR 78C CONNECT TO SATELLITE RECEIVER.
  - 5 CABLE CONNECTS TO OUTPUT OF HDMI SPLITTER.
  - 4 PARTS ARE SUPPLIED WITH INTERIOR CONTROL 183415-05-000.
  - 3 CABLE ROUTED IN ROOF.
  - 2 CABLE CONNECTS TO REAR SIDE OF PLATE.
  - 1 CABLE CONNECTS TO HDMI/COAX PLATE.

- 789 SAT ANT, AUTO DISH NETWORK
- 787 SAT TV ANT, AUTO DIRECTV
- 78C SATELLITE SYSTEM READY
- 265 CODES/STANDARDS-CSA/CMVSS
- 1B1 CODES/STANDARDS USA

FOR ELECTRICAL TORQUE SPECIFICATIONS SEE DWG NO. 128783-01-000

FOR ELECTRICAL CALLOUTS SEE DWG 000228177 344479-01-000

DESCRIPTION:		<b>WIRING INSTL-TV/DVD</b>	
SHEET:	ITEM/PART NO.:	REV:	
3 OF 3	000179907 / 33349101000		

VIEW CA