

D

D

C

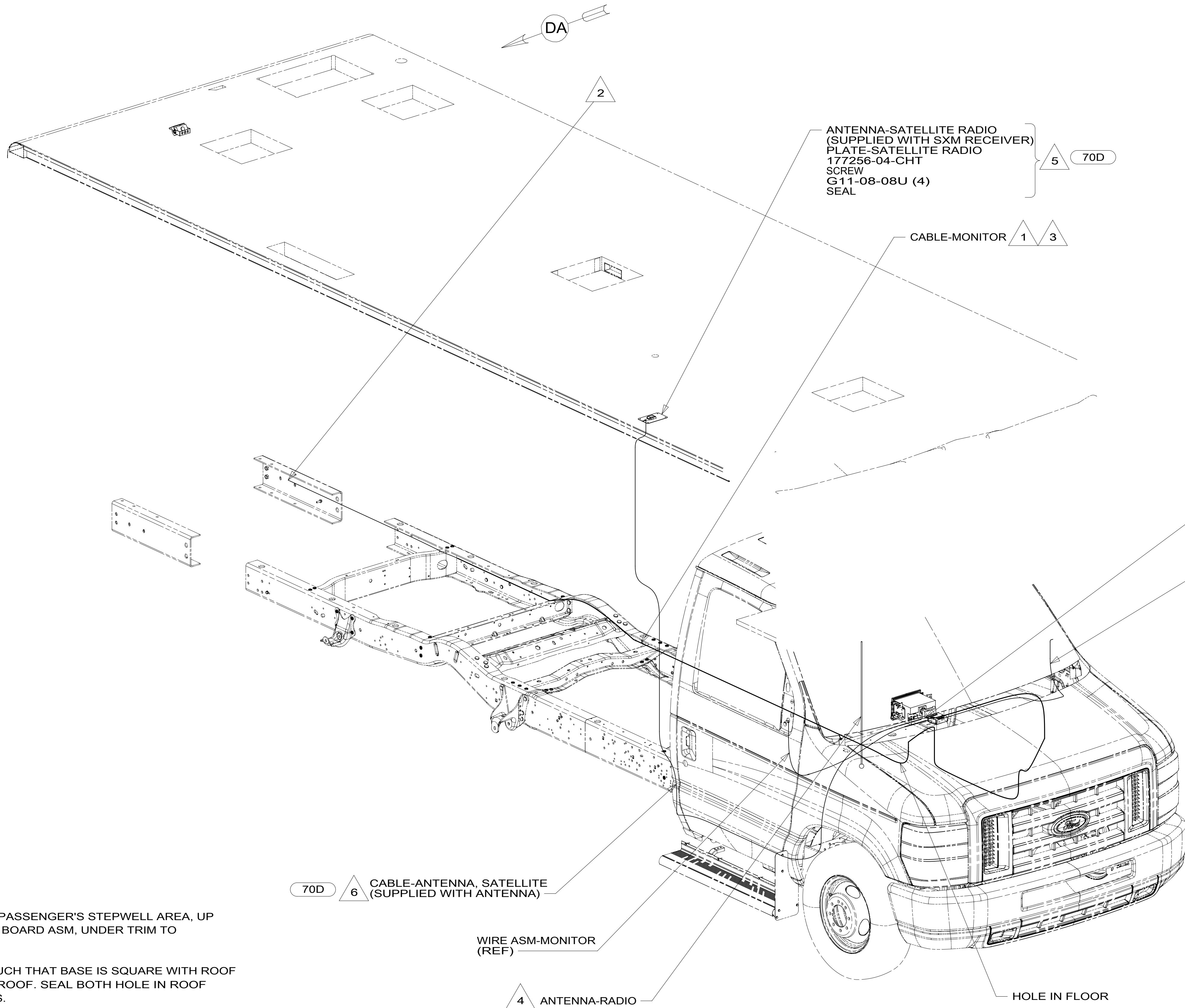
C

B

B

A

A



ANTENNA-SATELLITE RADIO
(SUPPLIED WITH SXM RECEIVER)
PLATE-SATELLITE RADIO
177256-04-CHT
SCREW
G11-08-08U (4)
SEAL

CABLE-MONITOR

WIRE ASM-MONITOR, 15'
(REF)

WIRE ASM-MONITOR
(REF)

HOLE IN FLOOR

70D 6 CABLE-ANTENNA, SATELLITE
(SUPPLIED WITH ANTENNA)

- NOTES:
- 6 ROUTE CABLE FROM RADIO TO PASSENGER'S STEPWELL AREA, UP WINGWALL, THROUGH SLEEPER BOARD ASM, UNDER TRIM TO ANTENNA PLATE ON ROOF.
 - 5 MOUNT ANTENNA AND PLATE SUCH THAT BASE IS SQUARE WITH ROOF AND DIRECTLY OVER HOLE IN ROOF. SEAL BOTH HOLE IN ROOF AND ANTENNA BASE AT SCREWS.
 - 4 SUPPLIED WITH CHASSIS. USE SHORTEST SUPPLIED ANTENNA.
 - 3 ROUTE CABLE TO DASH RADIO.
 - 2 WIRING IS ROUTED DIFFERENTLY FOR EACH UNIT FROM THIS POINT REARWARD.
 - 1 REAR MONITOR CAMERA CABLE IS PART OF WIRE ASM-CHASSIS AND RUNS ALONG LEFT FRAME RAIL.

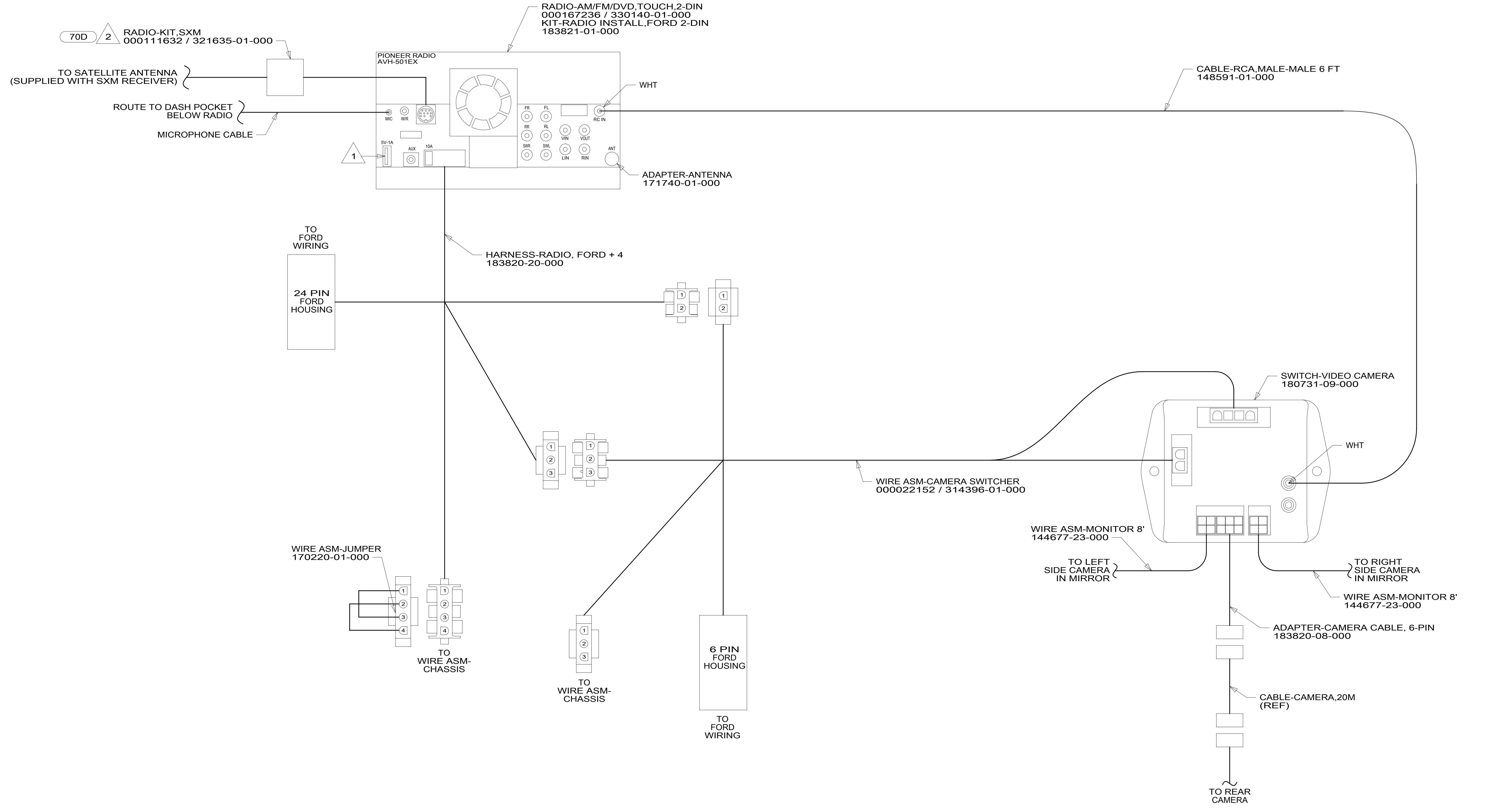
- 70D RADIO - SATELLITE SIRIUSXM
- 265 CODES/STANDARDS-CSA/CMVSS
- 1B1 CODES/STANDARDS USA

WINNEBAGO
COPYRIGHT 2016 WINNEBAGO INDUSTRIES, INC.

DSNR:	ALL DIMENSIONS ARE IN MILLIMETERS	
DFFR:	MATERIAL:	
UNSPECIFIED TOLERANCES:	WEIGHT: (LBS)	FIRST USED:
WHOLE DIM (X) : 3		20 325B
ONE-PLACE (X.X) : 1.5		
TWO-PLACE (X.XX) : 0.50		
ANGLE : 1°		
REFER TO ES0018 FOR FASTENER TIGHTENING GUIDELINES		
DESCRIPTION: RADIO/MONITOR INSTL		
SHEET: 1 OF 3	ITEM/PART NO: 000174059 / 33222001000	REV:
REF:		1 28-Jan-2021

FOR ELECTRICAL TORQUE SPECIFICATIONS SEE DWG NO. 128783-01-000

FOR ELECTRICAL CALLOUTS SEE DWG NO. 121339-01-000



NOTES:

2 WIRE TIE TO RADIO WIRING.

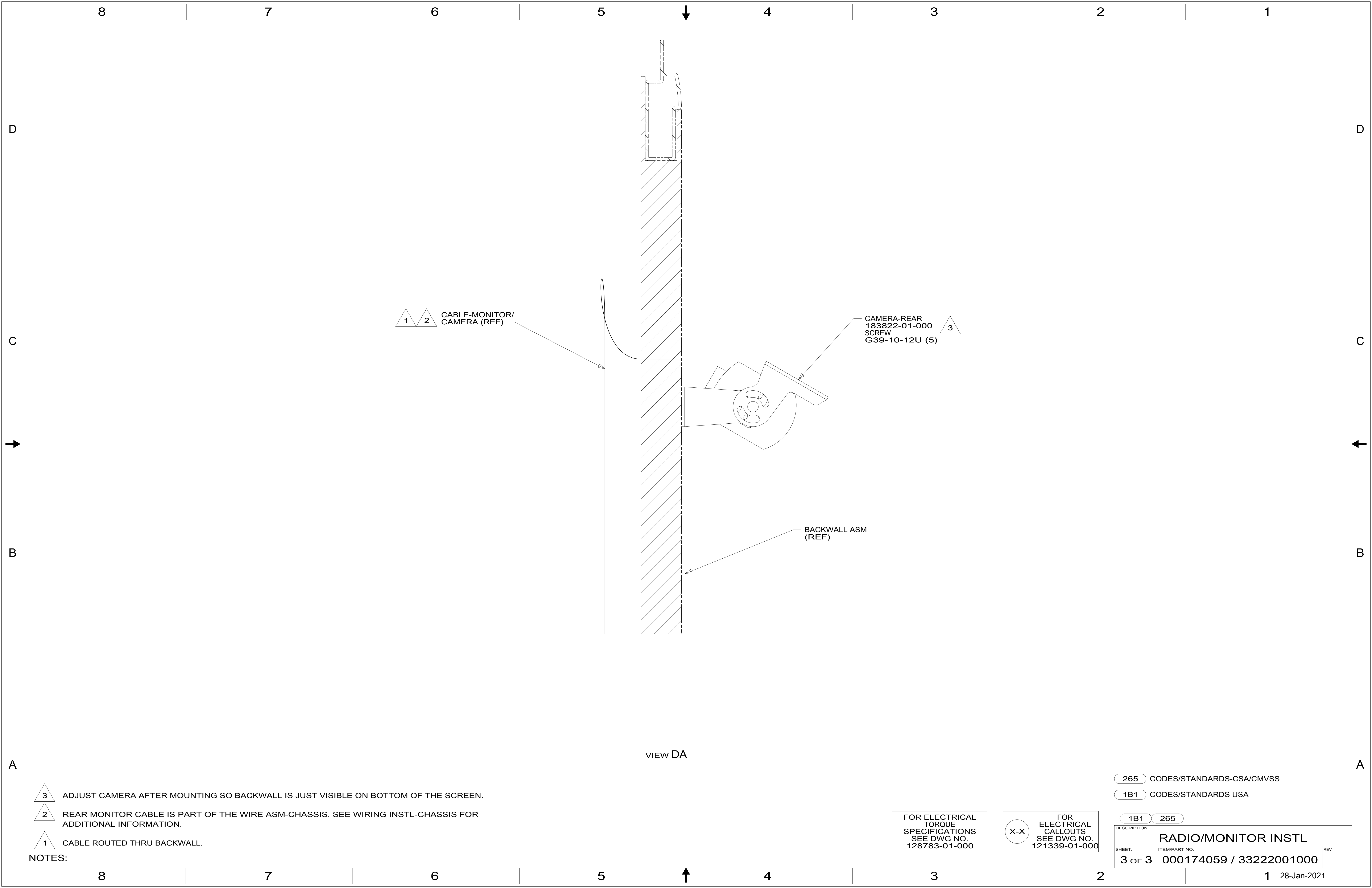
1 PLUG USB CABLE SUPPLIED WITH RADIO INTO LEAD ON BACK OF RADIO MARKED 'USB'. ROUTE CABLE TO THE LEFT OF RADIO. WIRE TIE EXCESS CABLE UNDER DASH IN THE AREA LEFT OF THE RADIO. LEAVE 200 MM OF CABLE IN THE MOTOR COVER BEVERAGE TRAY. MAKE SURE CABLE DOES NOT GET PINCHED BY MOTOR COVER.

FOR ELECTRICAL TORQUE SPECIFICATIONS SEE DWG NO. 128783-01-000

FOR ELECTRICAL CALLOUTS SEE DWG NO. 121339-01-000

- 70D RADIO - SATELLITE SIRIUSXM
- 265 CODES/STANDARDS-CSA/CMVSS
- 1B1 CODES/STANDARDS USA

DESCRIPTION:		1B1 265	
RADIO/MONITOR INSTL			
SHEET:	ITEM/PART NO.:	REV	
2 OF 3	000174059 / 33222001000		



1 2 CABLE-MONITOR/
CAMERA (REF)

3 CAMERA-REAR
183822-01-000
SCREW
G39-10-12U (5)

BACKWALL ASM
(REF)

VIEW DA

- NOTES:
- 3 ADJUST CAMERA AFTER MOUNTING SO BACKWALL IS JUST VISIBLE ON BOTTOM OF THE SCREEN.
 - 2 REAR MONITOR CABLE IS PART OF THE WIRE ASM-CHASSIS. SEE WIRING INSTL-CHASSIS FOR ADDITIONAL INFORMATION.
 - 1 CABLE ROUTED THRU BACKWALL.

FOR ELECTRICAL
TORQUE
SPECIFICATIONS
SEE DWG NO.
128783-01-000

FOR
ELECTRICAL
CALLOUTS
SEE DWG NO.
121339-01-000

265 CODES/STANDARDS-CSA/CMVSS
1B1 CODES/STANDARDS USA

DESCRIPTION:		1B1 265	
RADIO/MONITOR INSTL			
SHEET:	ITEM/PART NO.:	REV	
3 OF 3	000174059 / 33222001000		