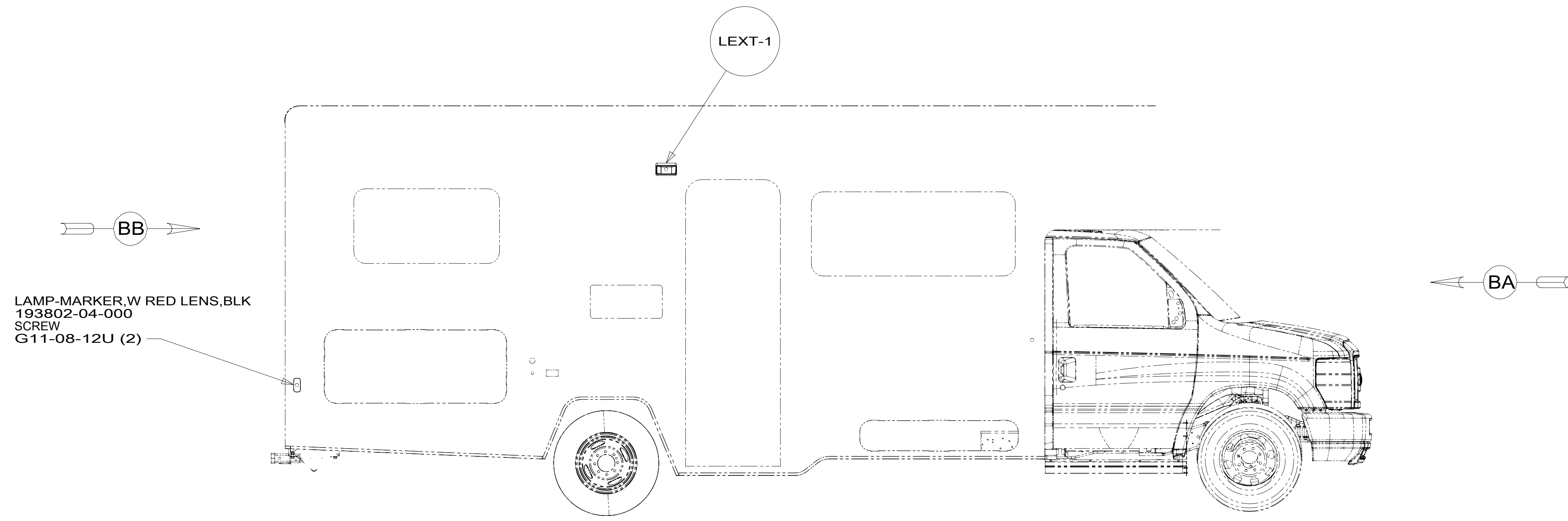


8 7 6 5 4 3 2 1

D

D



C

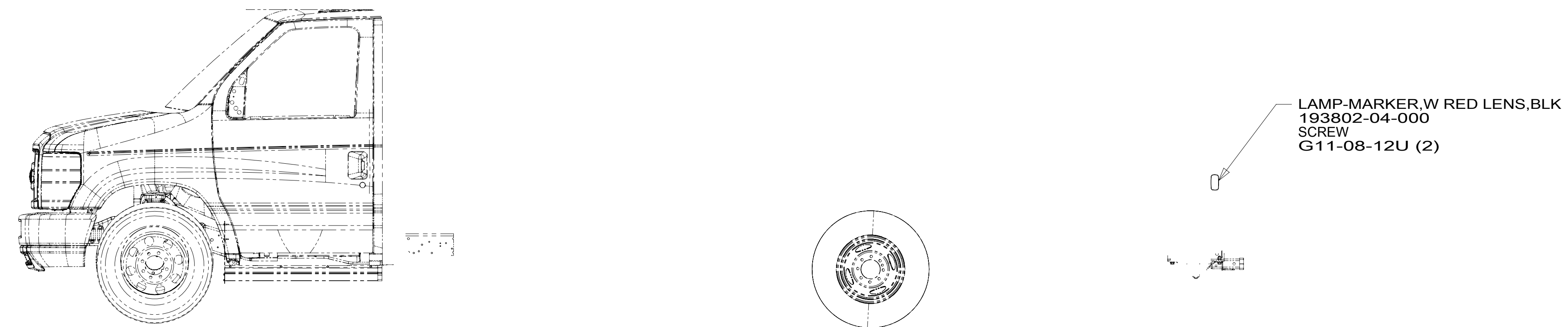
C

→

←

B

B

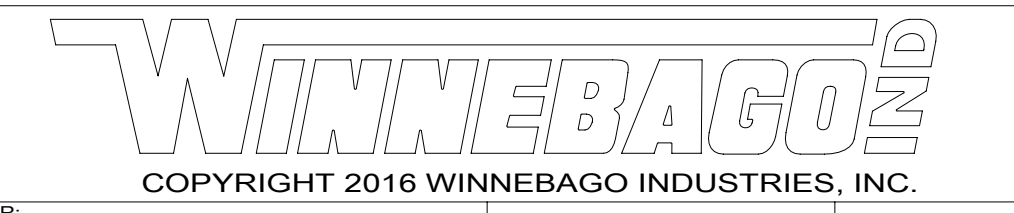


A

A

8 7 6 5 4 3 2 1

- 265 CODES/STANDARDS-CSA/CMVSS
- 1B1 CODES/STANDARDS USA
- 1B1 265



DSNR:		ALL DIMENSIONS ARE IN MILLIMETERS	
DIFTR:		MATERIAL:	
UNSPECIFIED TOLERANCES:			
WHOLE DIM (X)	: 3		
ONE-PLACE (X.X)	: 1.5		
TWO-PLACE (X.XX)	: 0.50		
ANGLE	: 1°		

REFER TO ES0018 FOR FASTENER TIGHTENING GUIDELINES

WEIGHT: (LBS) FIRST USED: **20 325B**

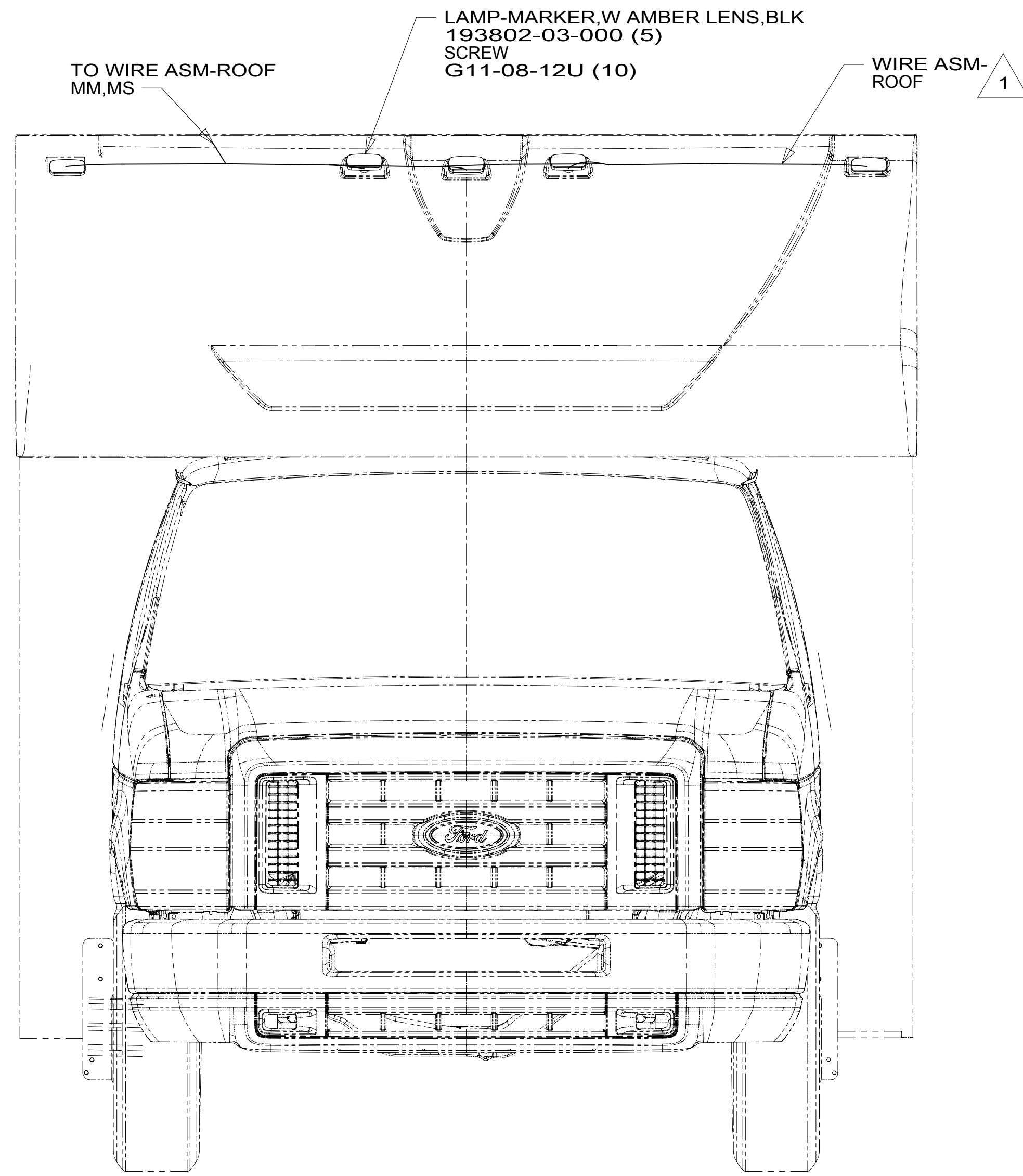
FOR ELECTRICAL TORQUE SPECIFICATIONS SEE DWG NO. 128783-01-000

FOR ELECTRICAL CALLOUTS SEE DWG NO. 121339-01-000

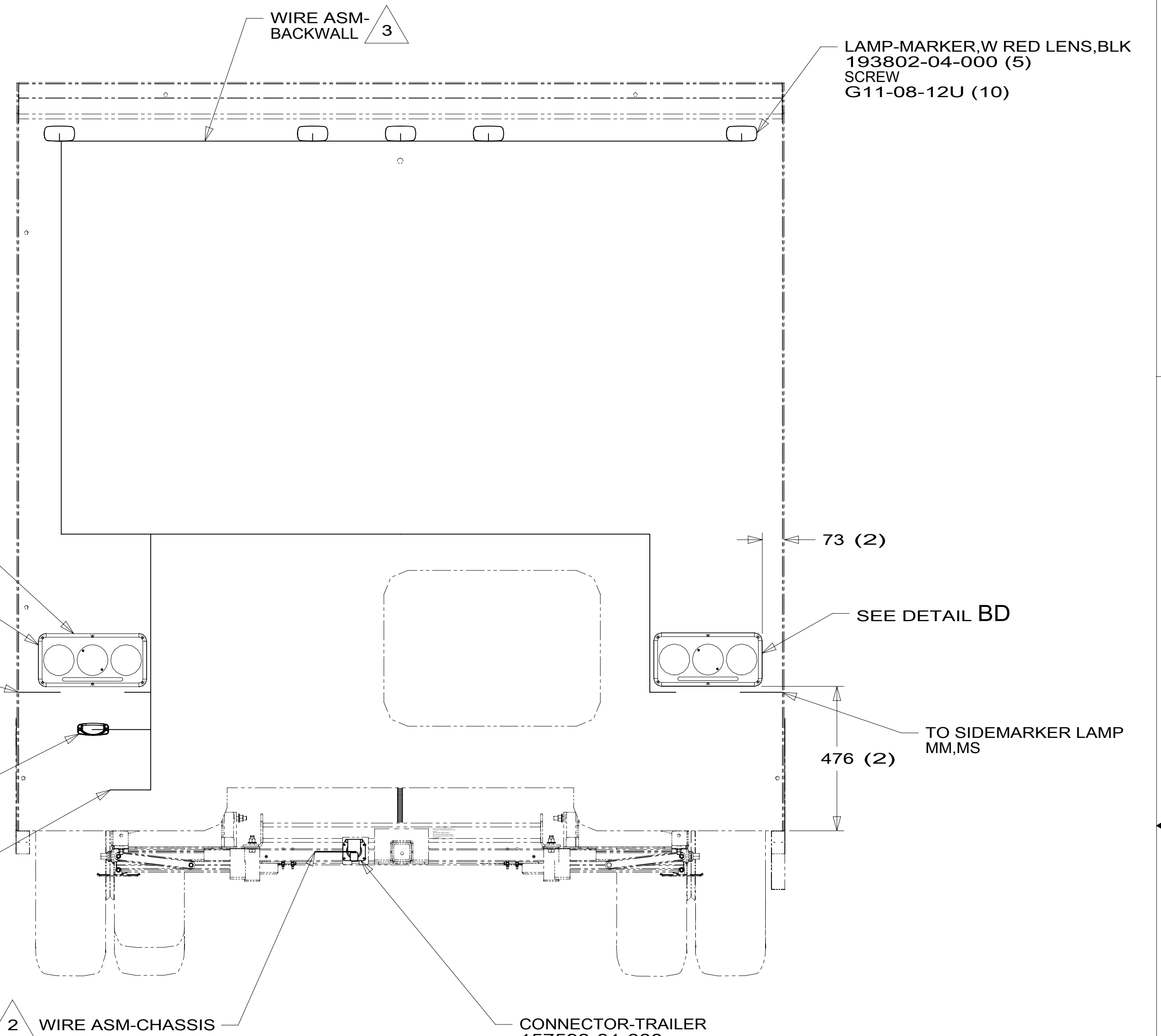
DESCRIPTION: **WIRING INSTL-EXTERIOR LAMPS**

SHEET: **1 OF 2** ITEM/PART NO.: **000174057 / 33221801000** REF:

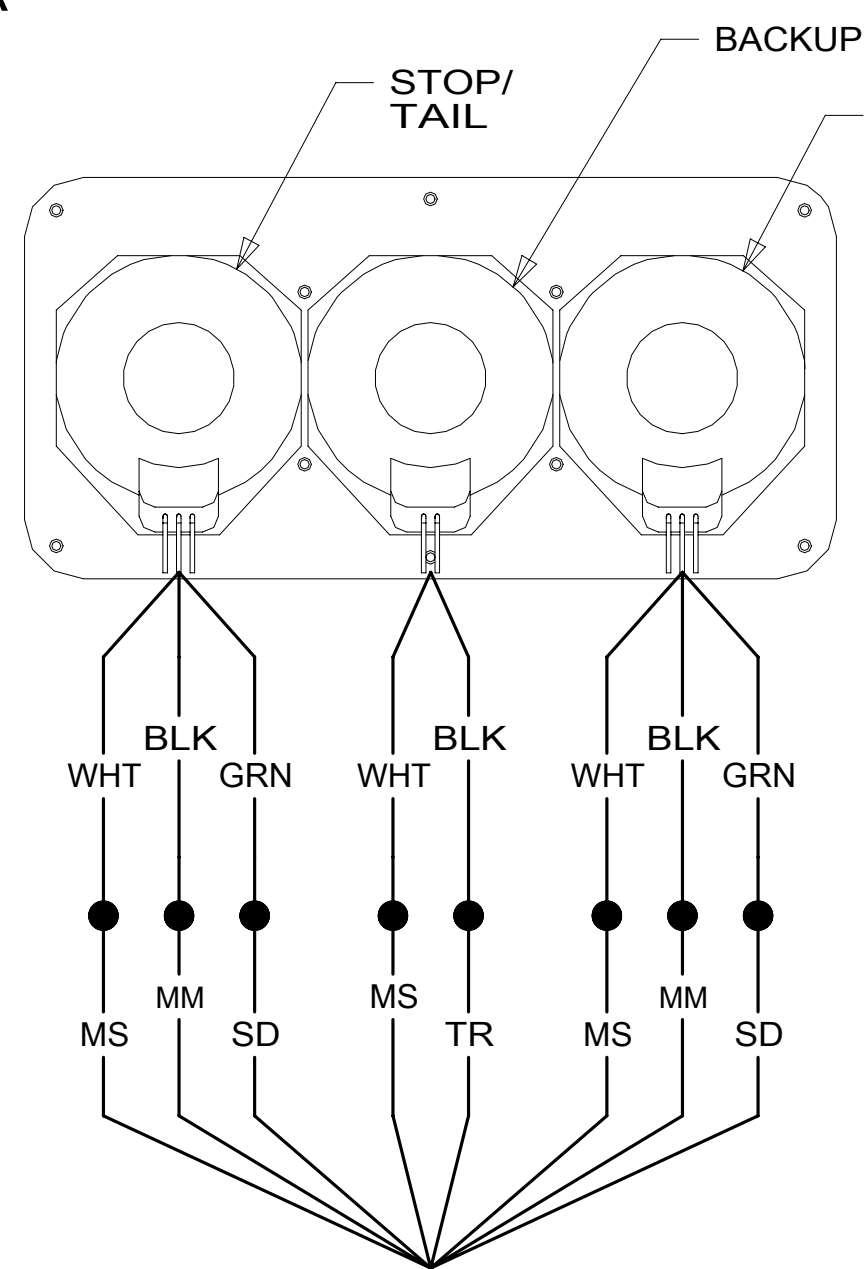
REV: **1 28-Jan-2021**



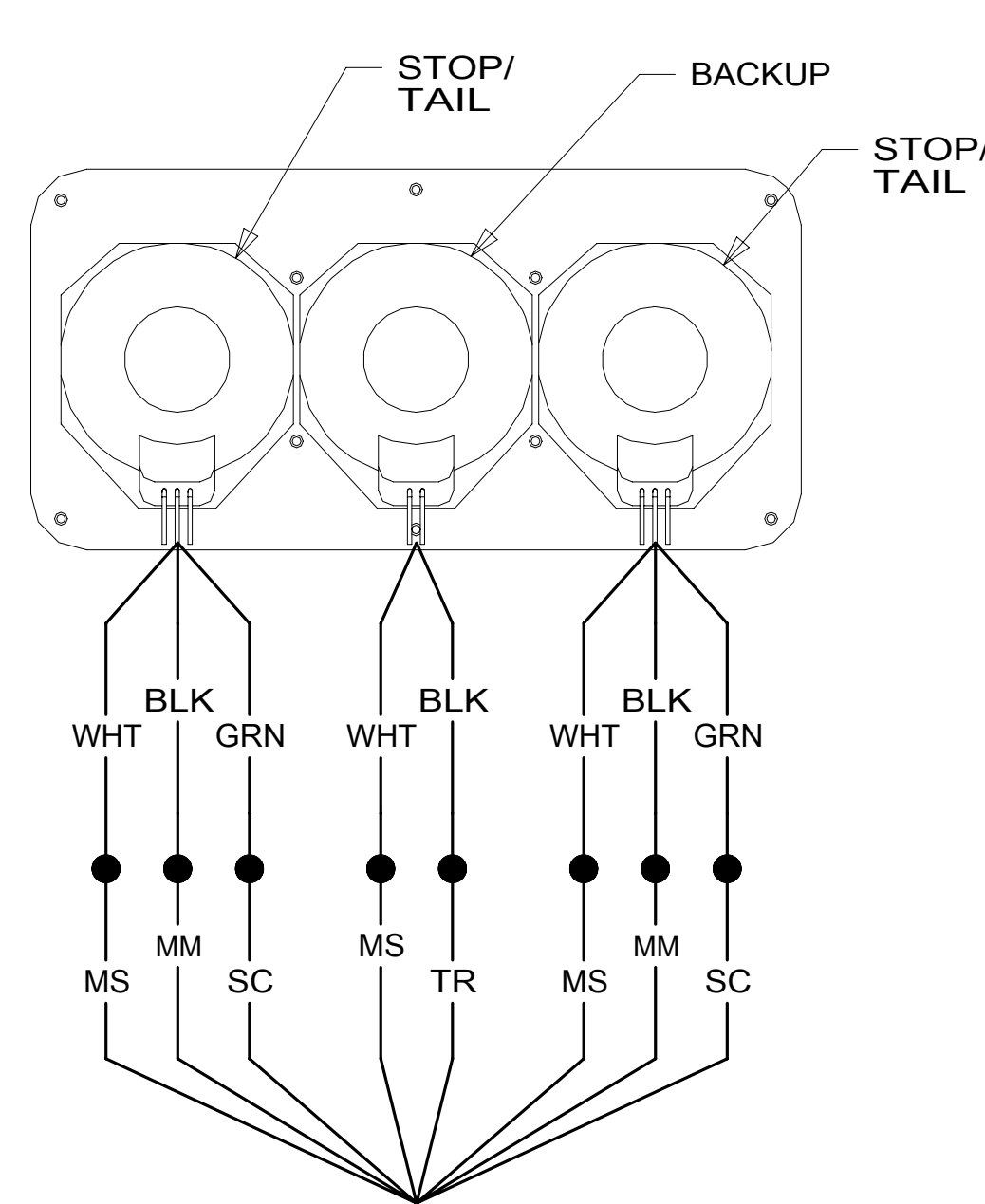
VIEW BA



VIEW BB



TO WIRE ASM-BACKWALL
DETAIL BC



TO WIRE ASM-BACKWALL
DETAIL BD

- NOTES:
- 4 TAIL LAMP MUST BE INSTALLED WITH WIRES DOWN.
 - 3 LOCATED IN BACKWALL ASSEMBLY.
 - 2 SECURE WIRE BELOW COACH WITH CLAMP 10495-01-000 AND SCREW G67-10-12B.
 - 1 LOCATED IN ROOF ASSEMBLY FRONT.

FOR ELECTRICAL TORQUE SPECIFICATIONS SEE DWG NO. 128783-01-000

FOR ELECTRICAL CALLOUTS SEE DWG NO. 121339-01-000

265 CODES/STANDARDS-CSA/CMVSS

1B1 CODES/STANDARDS USA

1B1 265

DESCRIPTION:
WIRING INSTL-EXTERIOR LAMPS

SHEET: 2 OF 2 ITEM/PART NO: 000174057 / 33221801000 REV