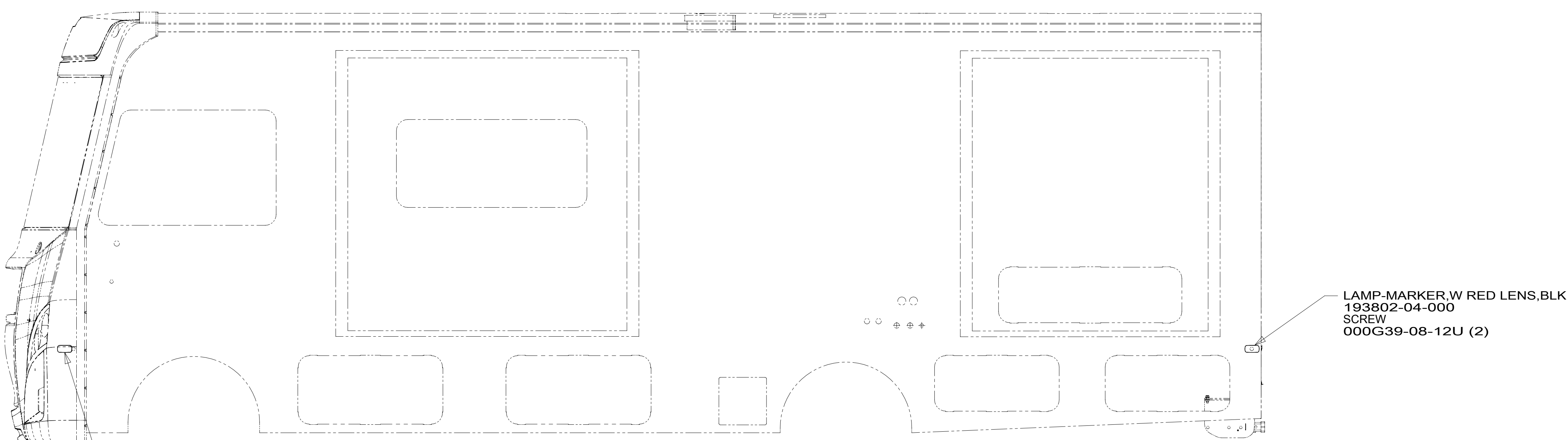
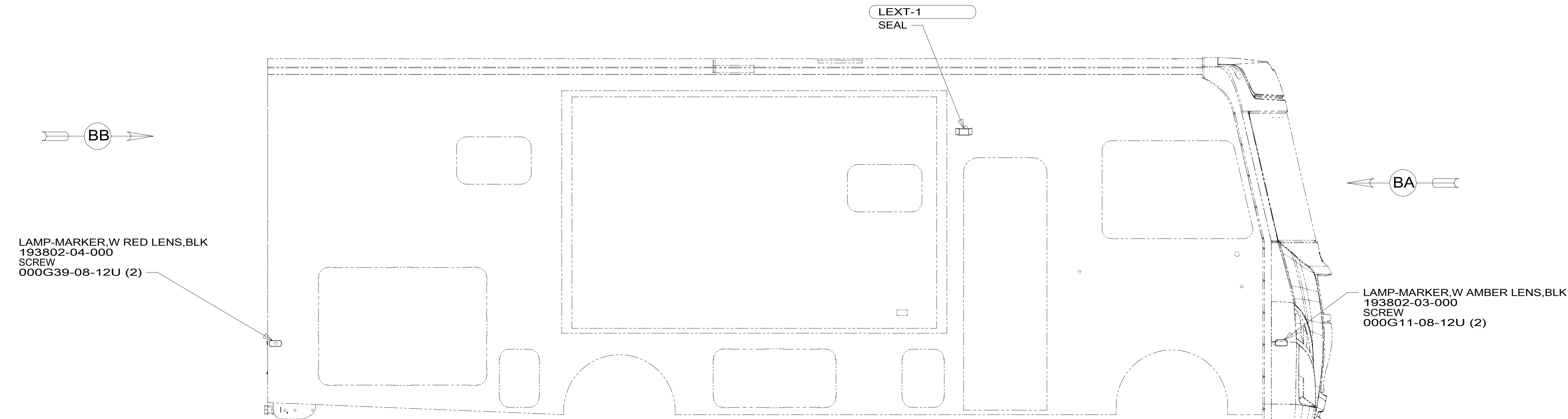


8 7 6 5 4 3 2 1

D  
C  
B  
A

D  
C  
B  
A



- 265 CODES/STANDARDS-CSA/CMVSS
- 1B1 CODES/STANDARDS-USA
- 1B1 265



DSNR:		ALL DIMENSIONS ARE IN MILLIMETERS	
DFFR:		MATERIAL:	
UNSPECIFIED TOLERANCES:			
WHOLE DIM (X)	: 3		
ONE-PLACE (X.X)	: 1.5		
TWO-PLACE (X.XX)	: 0.50		
ANGLE	: 1°		
REFER TO ES0018 FOR FASTENER TIGHTENING GUIDELINES		WEIGHT: (LBS)	FIRST USED:
			20 V28Y

FOR ELECTRICAL TORQUE SPECIFICATIONS SEE DWG NO. 128783-01-000

FOR ELECTRICAL CALLOUTS SEE DWG NO. 121339-01-000

**WIRING INSTL-EXTERIOR LAMPS**

SHEET: 1 OF 2 ITEM/PART NO.: 000169874 / 33083501000 REV:

8 7 6 5 4 3 2 1

LAMP ASM-CLEARANCE, AMBER  
000041106 / 319636-01-000 (2)  
LAMP ASM-CLEARANCE, GASKET  
170777-03-000 (2)  
SCREW  
G11-08-12U (4)

LAMP ASM-IDENTIFICATION, AMBER  
000041413 / 319738-01-000  
LAMP ASM-IDENTIFICATION, GASKET  
000041422 / 319743-01-000  
SCREW  
G11-08-12U (2)

LAMP ASM-IDENTIFICATION, RED  
000041420 / 319742-01-000  
LAMP ASM-IDENTIFICATION, GASKET  
000041422 / 319743-01-000  
SCREW  
G11-08-12U (2)  
SPlice-BUTT  
031876-01-000 (2)

LAMP ASM-CLEARANCE, RED  
170777-01-000 (2)  
LAMP ASM-CLEARANCE, GASKET  
170777-03-000 (2)  
SCREW  
G11-08-12U (4)  
SPlice-BUTT  
031876-01-000 (4)

WIRE ASM-HEADLAMP  
000041599 / 319809-01-000

HEADLAMP ASM-HIGH 90MM  
146527-02-000 (2)  
NUT  
000D27-08-00U (8)  
WASHER  
000E13-08-00U (8)

HEADLAMP ASM-LOW 90MM  
146527-01-000 (2)  
NUT  
000D27-08-00U (8)  
WASHER  
000E13-08-00U (8)

2 PIN HOUSING  
TO WIRE ASM-  
CHASSIS

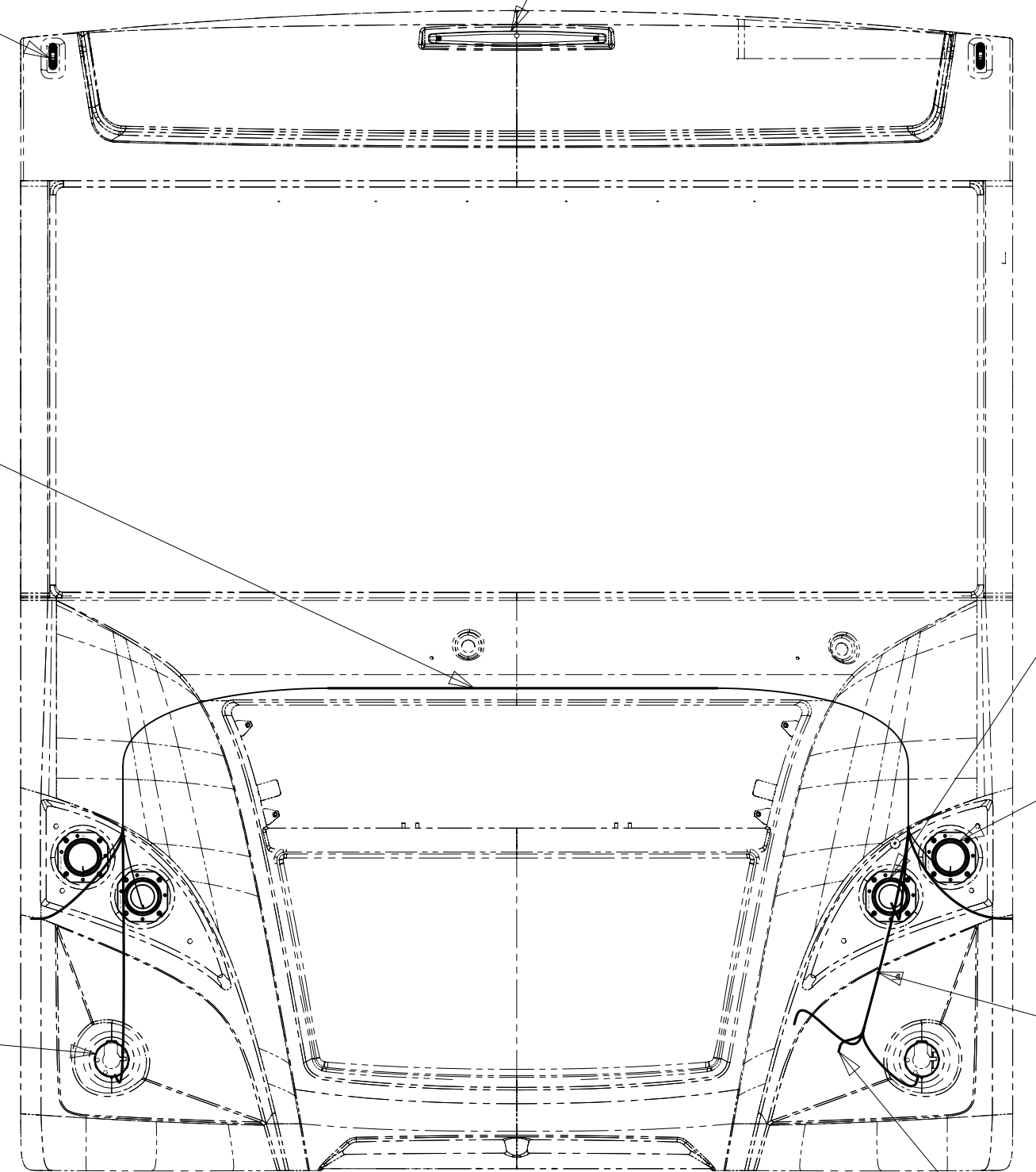
CHASSIS HOUSING  
TO CHASSIS HEADLAMP  
CONNECTOR

LAMP ASM-STOP/TURN/  
TAIL/BU  
183787-01-000 (2)  
SCREW  
000G11-07-12U (12)  
SEALER-TAPE  
069640-21-000 (3,4)

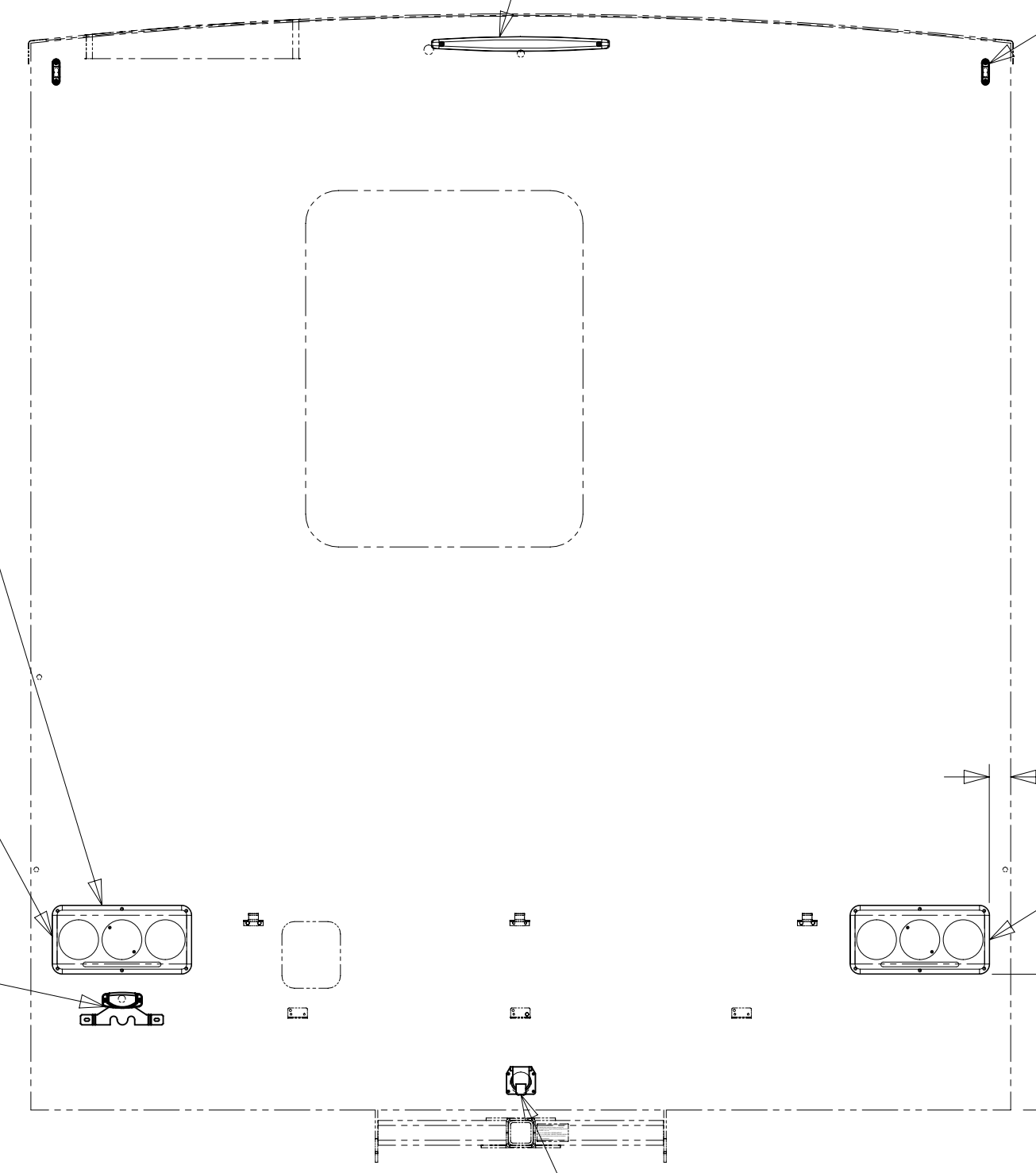
BRACKET-LICENSE  
066432-03-000  
SCREW  
000G67-10-129 (2)  
LIGHT-LICENSE  
066432-02-000  
SCREW  
000G39-08-12U (2)  
CONNECTOR  
058028-01-000 (2)

CONNECTOR-TRAILER  
157593-01-000  
SCREW  
000G55-08-16U (4)

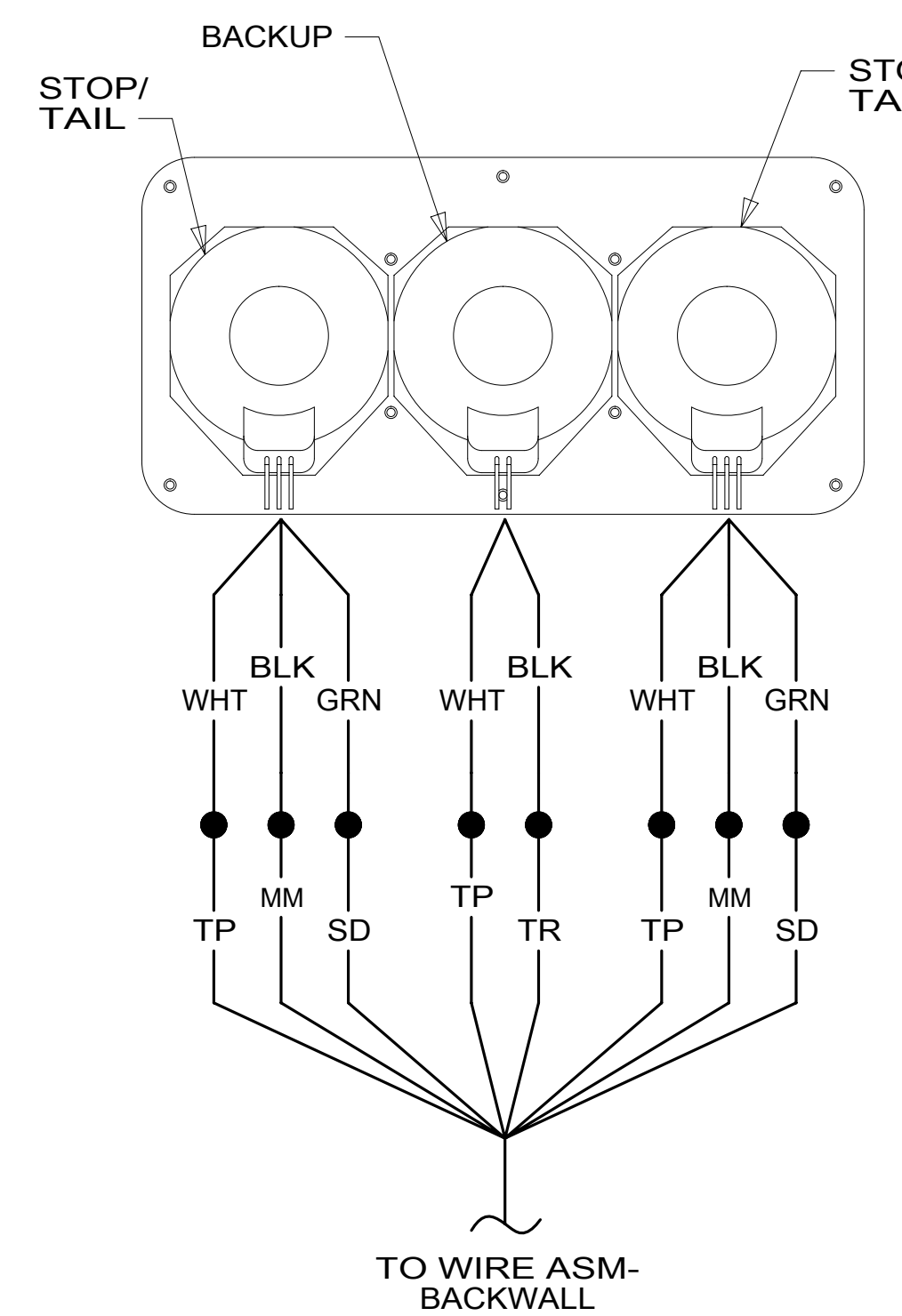
LAMP ASM-PARK/TURN, CLEAR  
146560-01-000 (2)  
BULB  
112708-02-000 (2)  
NUT  
139130-01-CHT (6)



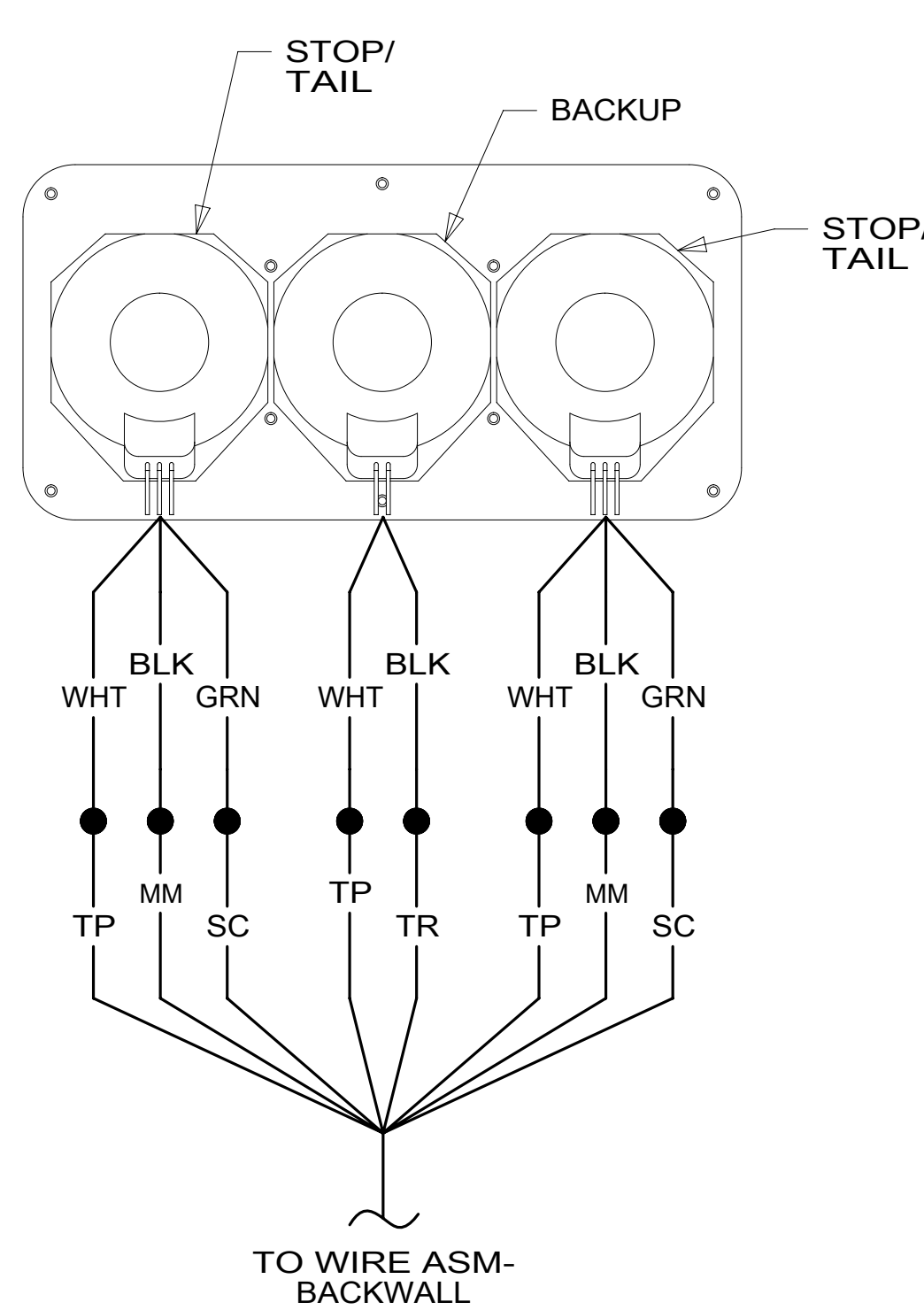
VIEW BA



VIEW BB



DETAIL BC



DETAIL BD

2 TAIL LAMP TO BE INSTALLED WITH WIRES DOWN.  
1. GATHER ALL EXCESS WIRE AFTER MAKING ALL CONNECTIONS AND BUNDLE AND SECURE WITH TIE-WIRE 008343-01-000 OR 093147-01-000.

FOR ELECTRICAL TORQUE SPECIFICATIONS SEE DWG NO. 128783-01-000

FOR ELECTRICAL CALLOUTS SEE DWG NO. 121339-01-000

265 CODES/STANDARDS-CSA/CMVSS  
1B1 CODES/STANDARDS USA

DESCRIPTION: <b>WIRING INSTL-EXTERIOR LAMPS</b>	
SHEET: 2 OF 2	ITEM/PART NO: 000169874 / 33083501000
REV	