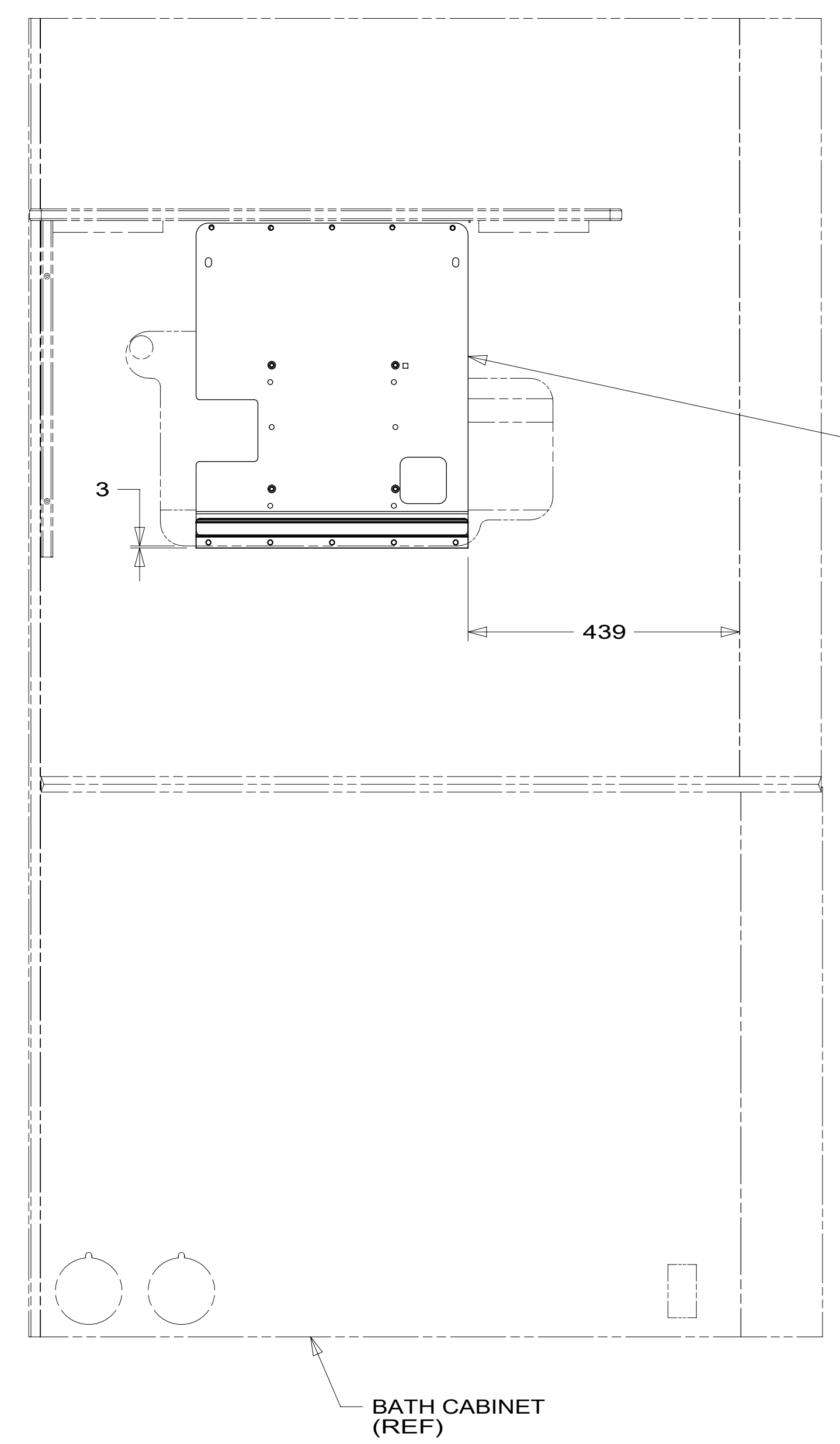
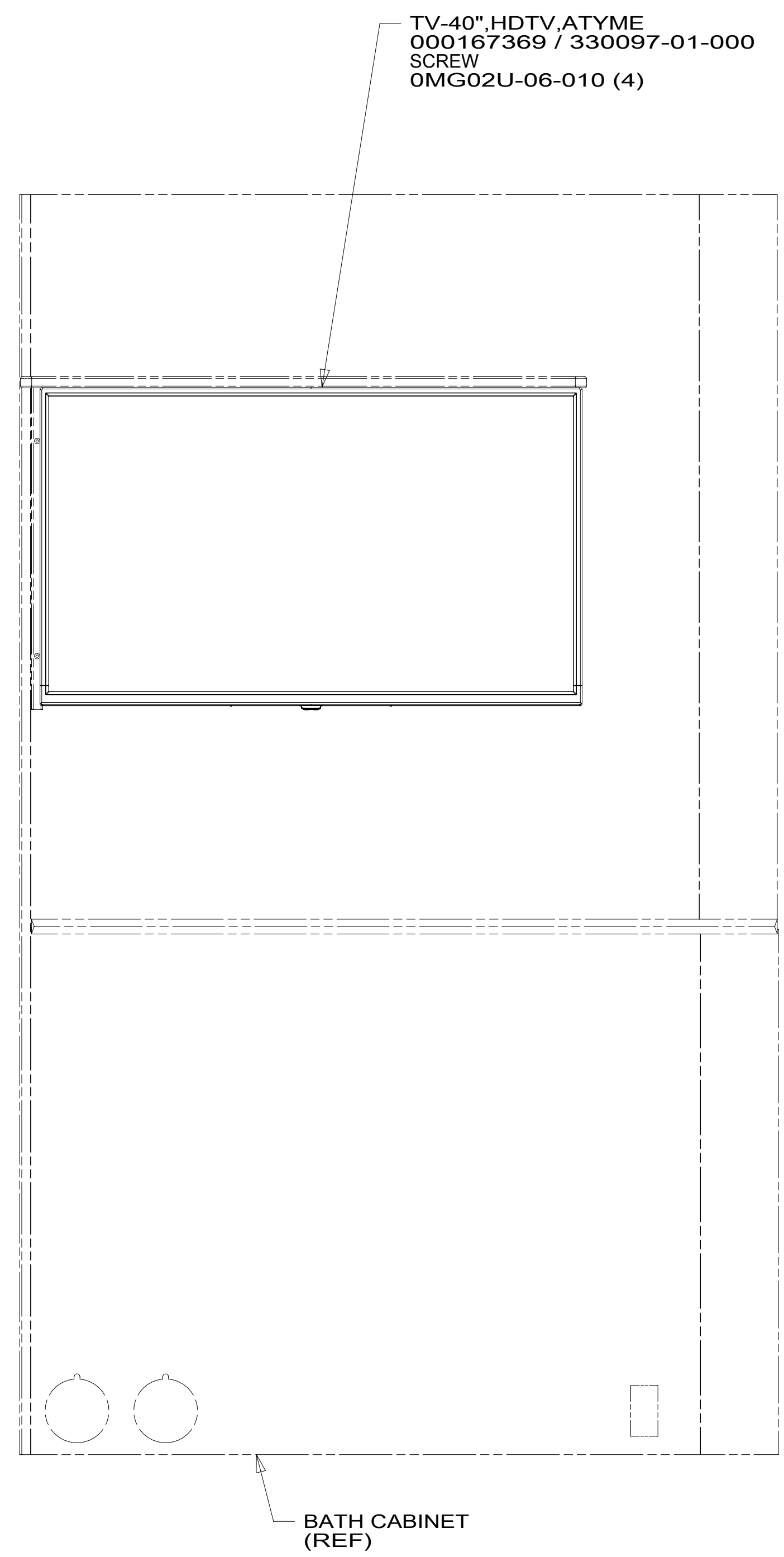
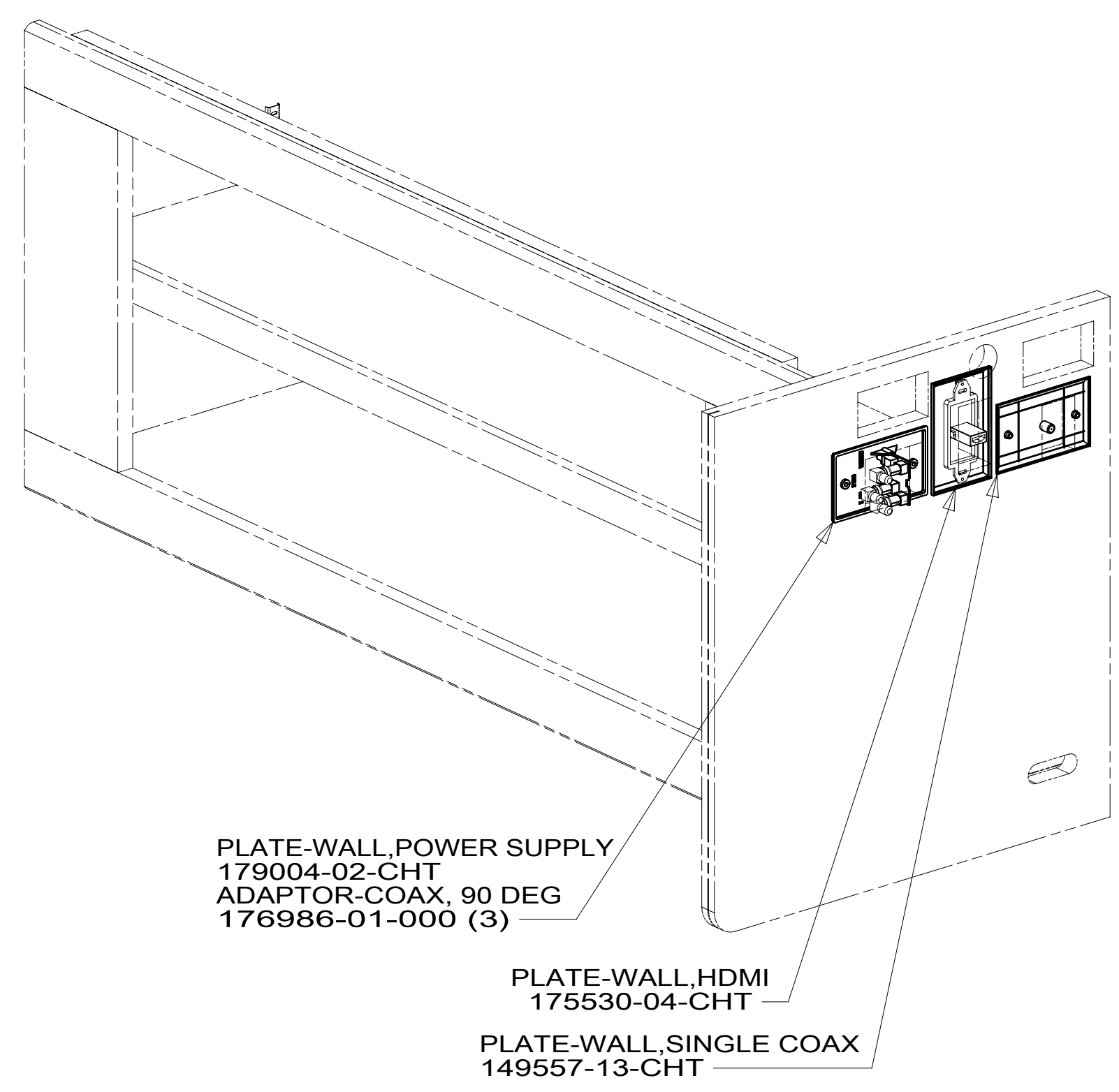


8 7 6 5 4 3 2 1



(SHOWN WITHOUT TV)

- NOTES:
- WHERE WIRES PASS THROUGH HOLES IN STEEL AND NOT OTHERWISE PROTECTED, USE GROMMET 92908-02-000.
  - ALL WIRES TO BE SECURED WITH CLAMP 10495-01-000 OR CLIP 80734-01-000 EVERY 600MM. USE SCREW G67-10-12U UNLESS OTHERWISE SPECIFIED.

FOR ELECTRICAL TORQUE SPECIFICATIONS SEE DWG NO. 128783-01-000

FOR ELECTRICAL CALLOUTS SEE DWG NO. 121339-01-000

- 68Y TV - MAIN
- 265 CODES/STANDARDS-CSA/CMVSS
- 1B1 CODES/STANDARDS USA

1B1 265 68Y



DSNR:		ALL DIMENSIONS ARE IN MILLIMETERS	
DIFFR:		MATERIAL:	
UNSPECIFIED TOLERANCES:			
WHOLE DIM (X)	3		
ONE-PLACE (X.X)	1.5		
TWO-PLACE (X.XX)	0.50		
ANGLE	1°		
REFER TO ES0018 FOR FASTENER TIGHTENING GUIDELINES		WEIGHT: (LBS)	FIRST USED:
			20 V28Y
DESCRIPTION: WIRING INSTL-TV/DVD			
SHEET: 1 OF 4	ITEM/PART NO: 000169855 / 33083401000	REV:	
REF:		1 30-Aug-2019	

8 7 6 5 4 3 2 1

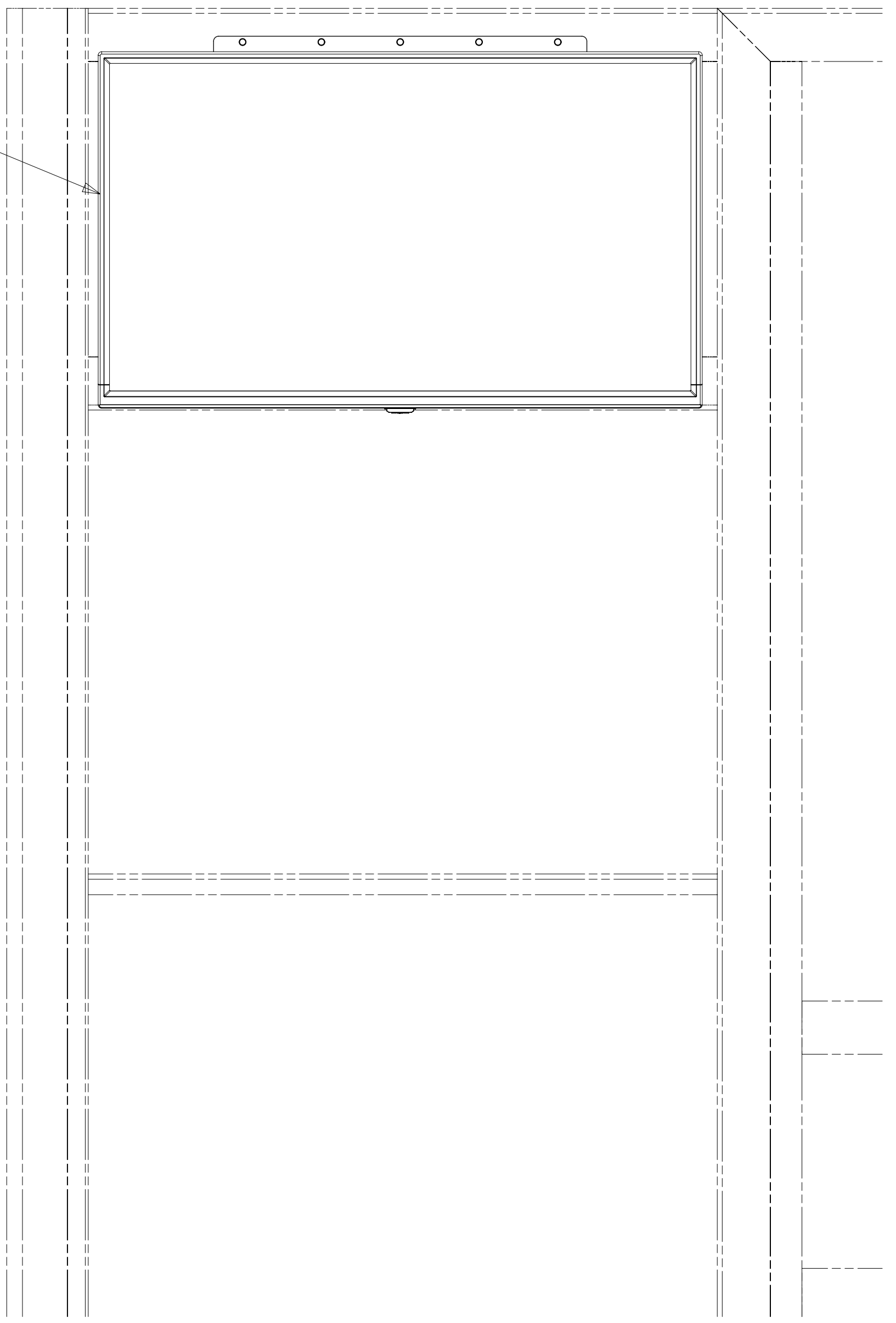
8 7 6 5 4 3 2 1



D

D

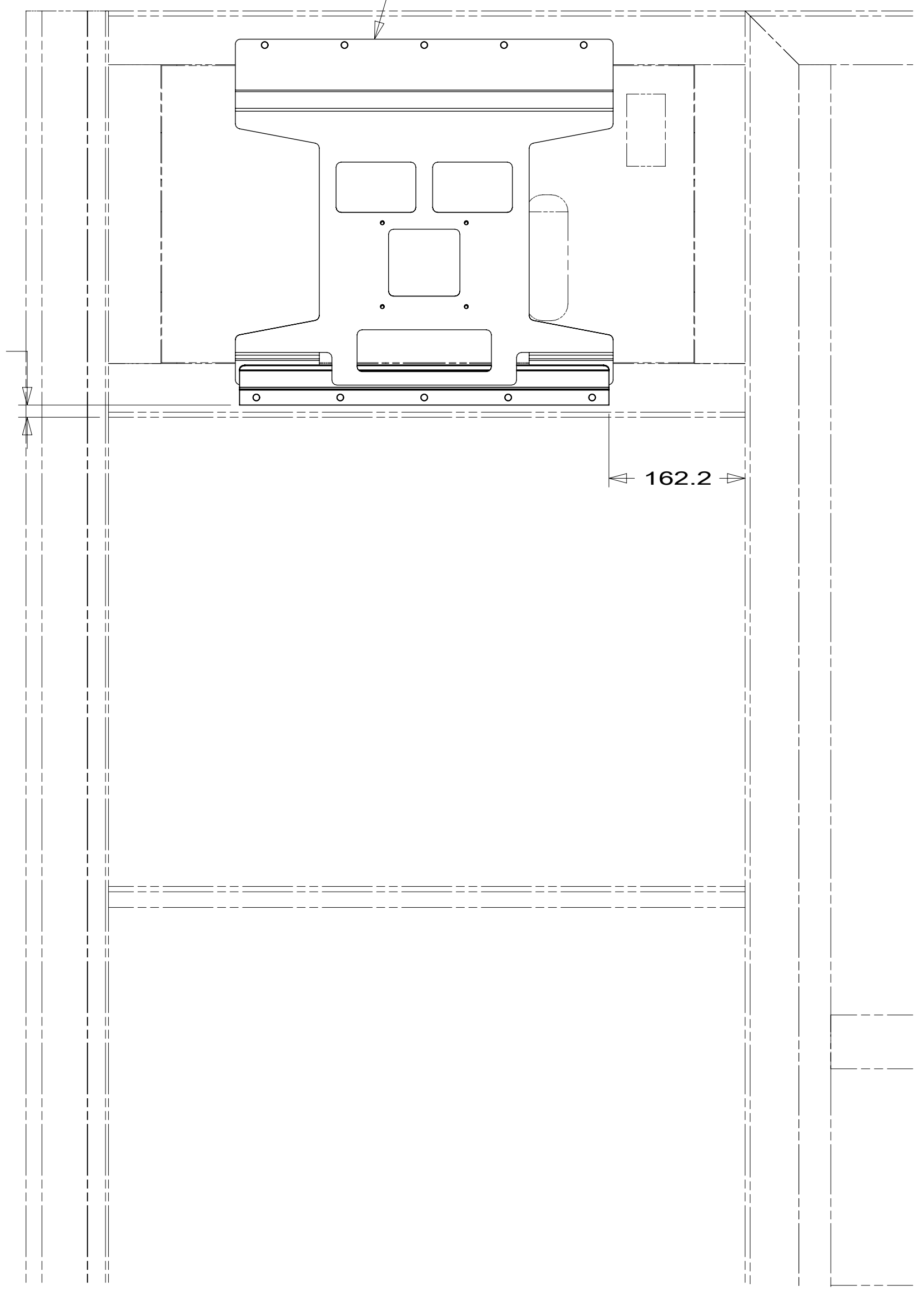
TV-32" HDTV, ATYME  
000167368 / 330096-01-000  
SCREW  
OMG02U-04-012 (4)  
WASHER  
OME02U-04-071 (4)



BRACKET-TV, 32", ATYME  
000173564 / 332063-01-CHT  
SCREW  
G11-08-12U (5)  
CLIP-TRIM  
130034-08-CHT  
SCREW  
G11-08-12U (5)

14.5

162.2



(TV NOT SHOWN)

C

C



B

B

A

A

2. ALL WIRES TO BE SECURED WITH CLAMP 10495-01-000 OR CLIP 80734-01-000 EVERY 600MM. USE SCREW G67-10-12U UNLESS OTHERWISE SPECIFIED.

1. WHERE WIRES PASS THROUGH HOLES IN STEEL AND NOT OTHERWISE PROTECTED, USE GROMMET 92908-02-000.

NOTES:

FOR ELECTRICAL TORQUE SPECIFICATIONS SEE DWG NO. 128783-01-000

FOR ELECTRICAL CALLOUTS SEE DWG NO. 121339-01-000

- 68X TV - BEDROOM
- 265 CODES/STANDARDS-CSA/CMVSS
- 1B1 CODES/STANDARDS USA

1B1 265 68X

DESCRIPTION: WIRING INSTL-TV/DVD

SHEET: 2 OF 4 ITEM/PART NO: 000169855 / 33083401000 REV

8 7 6 5 4 3 2 1 30-Aug-2019

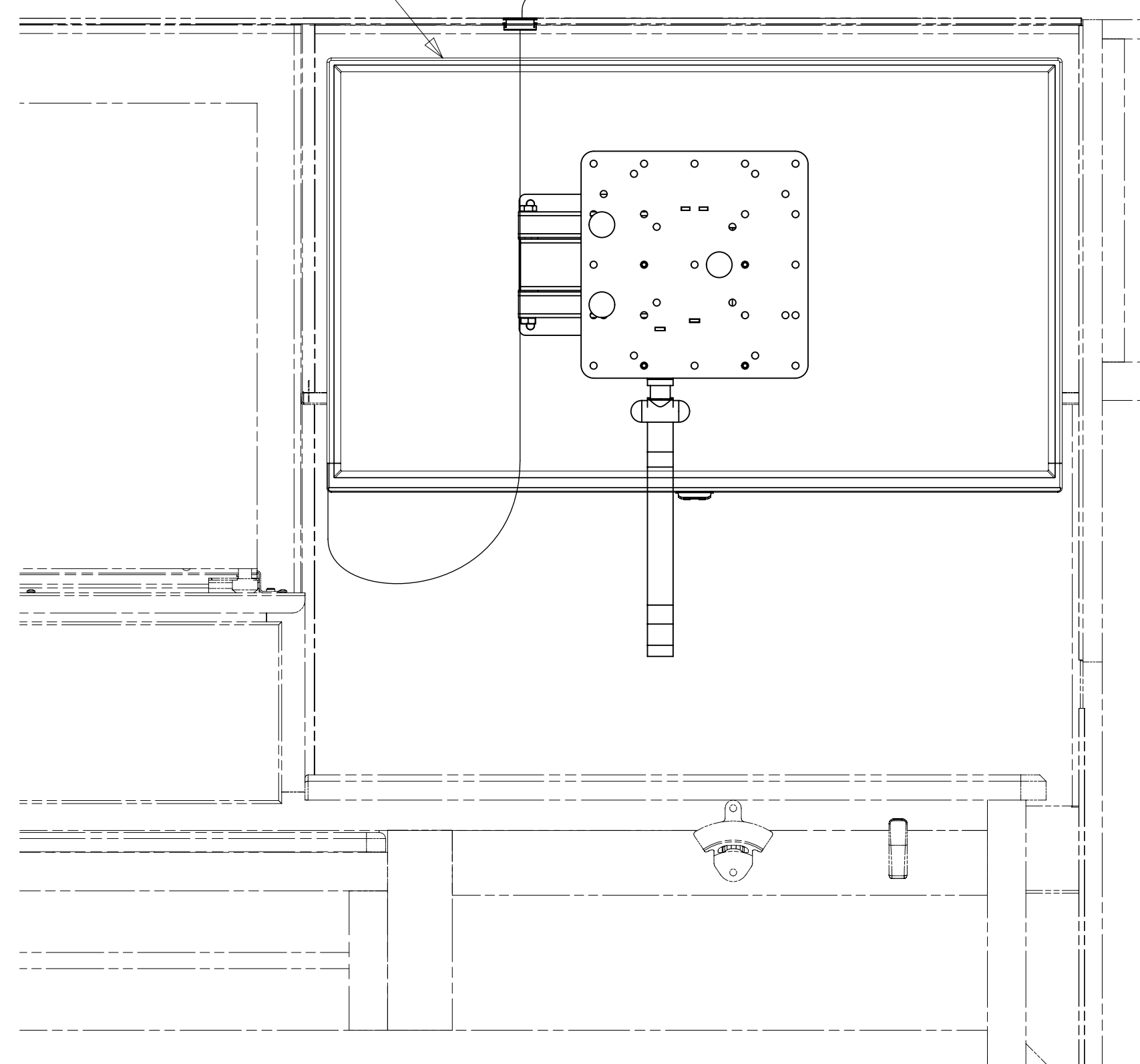
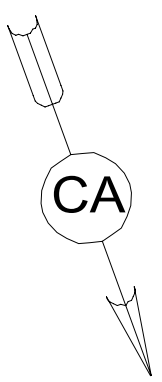


8 7 6 5 4 3 2 1

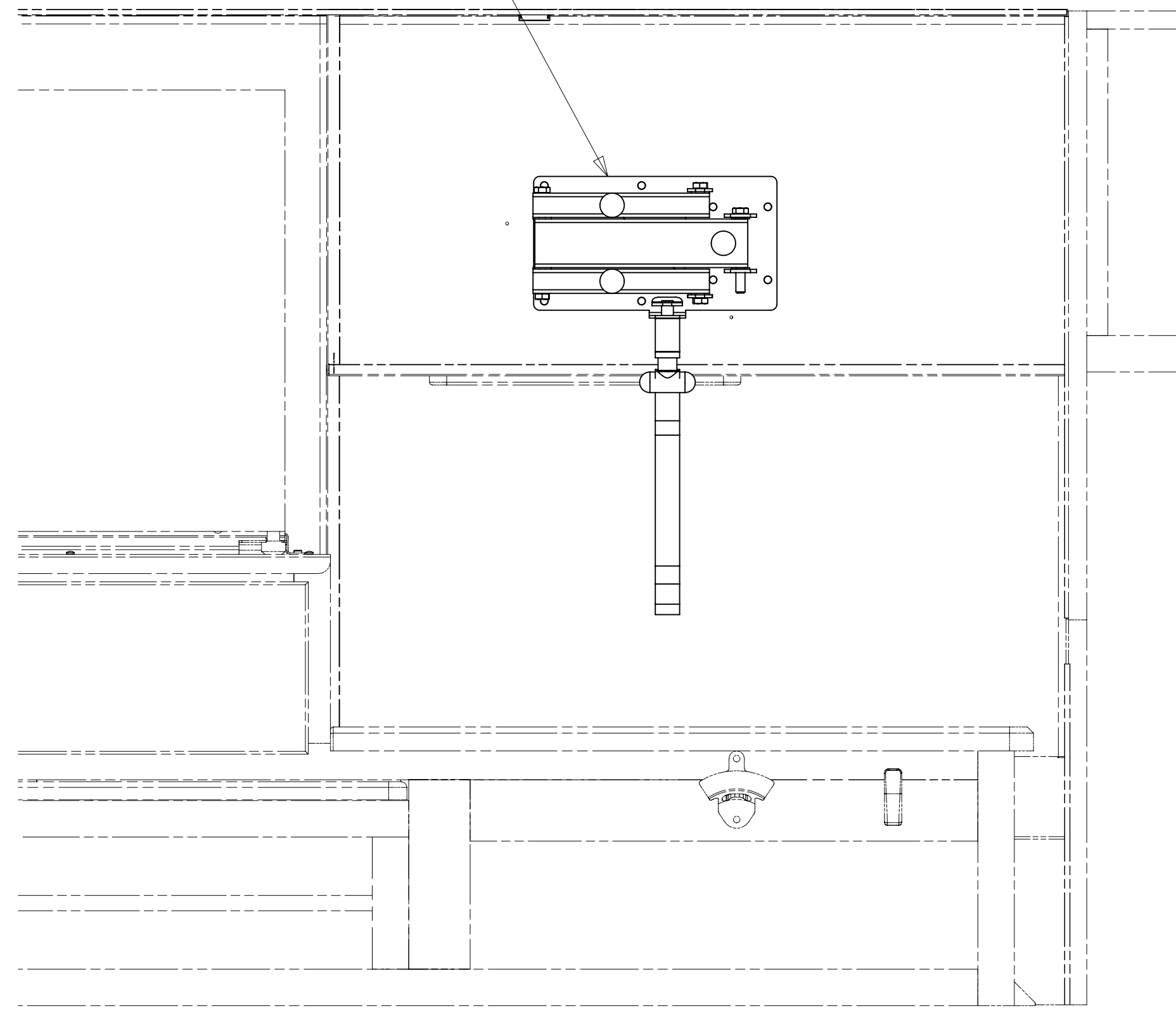
D  
C  
B  
A

D  
C  
B  
A

TV-32" HDTV, ATYME  
000167368 / 330096-01-000  
SCREW  
OMG02U-04-012 (4)  
WASHER  
E13-10-00U (4)



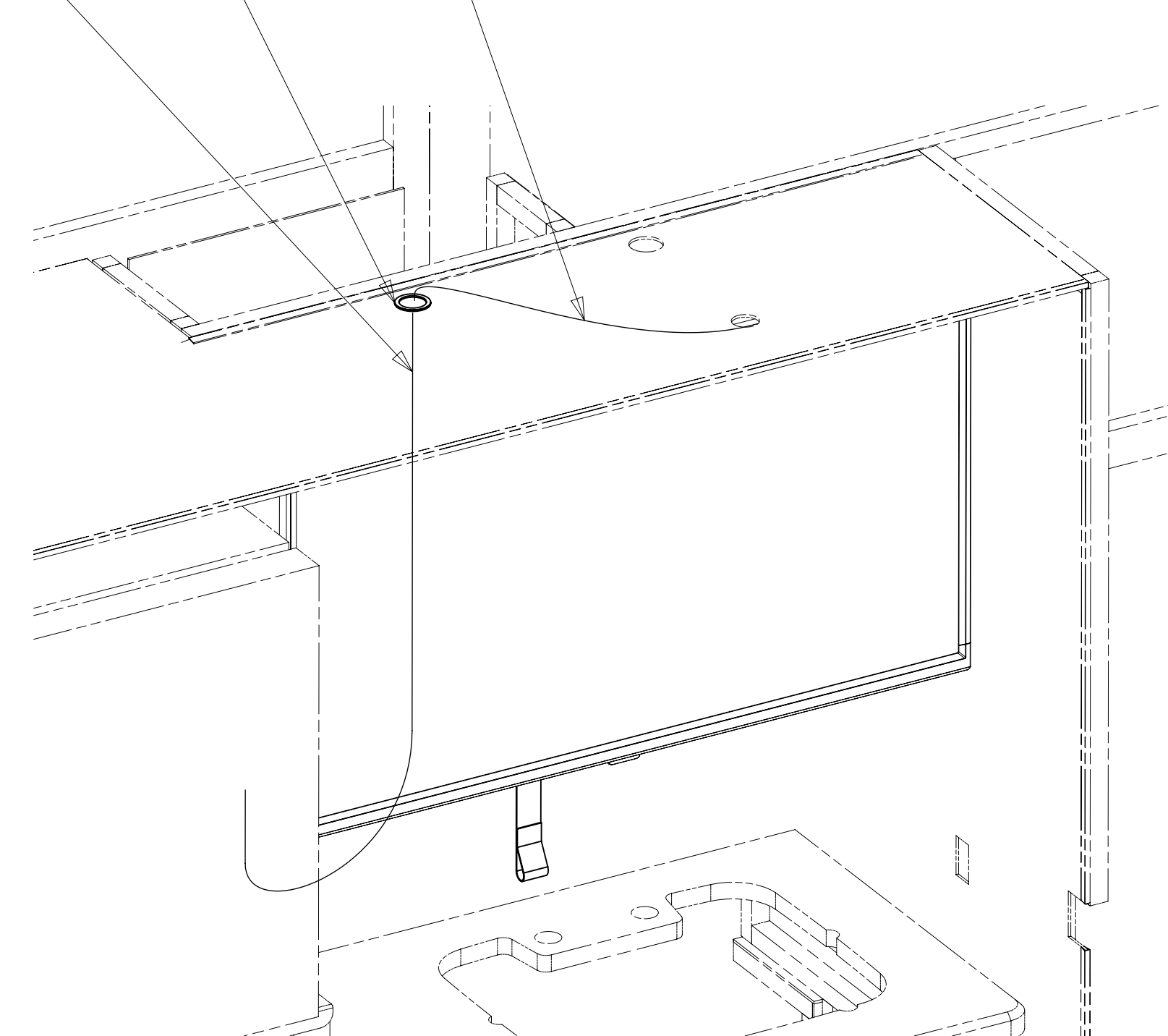
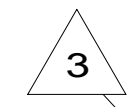
BRACKET-TV SWING MOUNT  
179241-01-CHT  
SCREW  
G11-08-12U (8)



(TV NOT SHOWN)

GROMMET-EDGE LINER  
114208-07-000

COAX (YEL)  
(REF)



VIEW CA

3 ROUTE COAX (YEL) AND TV POWER CORD TOGETHER, COVER WITH MINIMUM POSSIBLE DIAMETER BRAIDED SLEEVING 139049-01, -02, -03-000. SECURE BOTH ENDS WITH TAPE 8363-01-000. TIE CORDS TO TOP OF SWING ARM WITH TIE-WIRE 008343-03-000.

2. ALL WIRES TO BE SECURED WITH CLAMP 10495-01-000 OR CLIP 80734-01-000 EVERY 600MM. USE SCREW G67-10-12U UNLESS OTHERWISE SPECIFIED.

1. WHERE WIRES PASS THROUGH HOLES IN STEEL AND NOT OTHERWISE PROTECTED, USE GROMMET 92908-02-000.

NOTES:

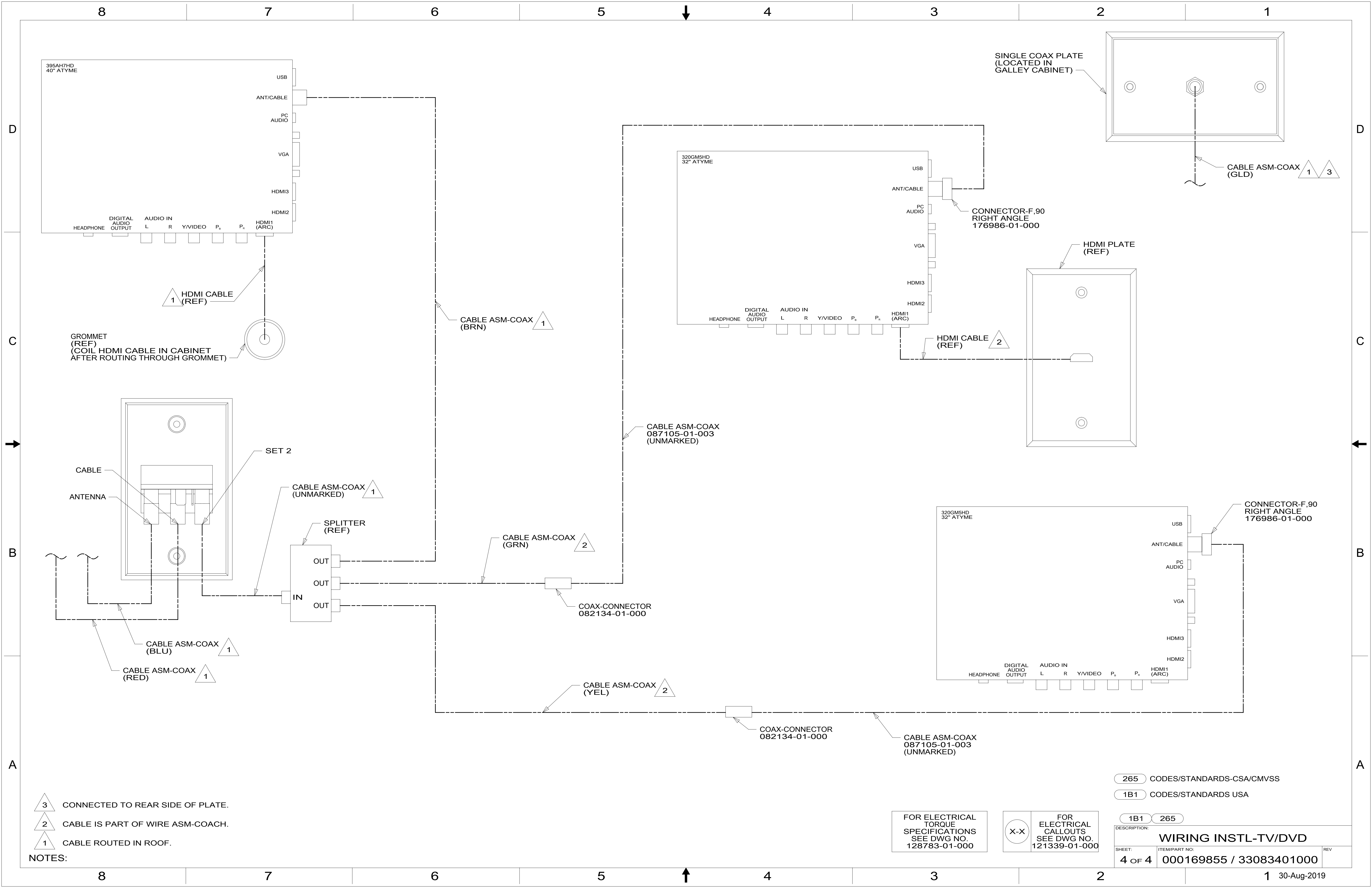
FOR ELECTRICAL TORQUE SPECIFICATIONS SEE DWG NO. 128783-01-000

FOR ELECTRICAL CALLOUTS SEE DWG NO. 121339-01-000

- 9PC TAILGATE PACKAGE
- 265 CODES/STANDARDS-CSA/CMVSS
- 1B1 CODES/STANDARDS USA

DESCRIPTION:	1B1 265 9PC	
<b>WIRING INSTL-TV/DVD</b>		
SHEET:	ITEM/PART NO:	REV
3 OF 4	000169855 / 33083401000	

8 7 6 5 4 3 2 1 30-Aug-2019



- NOTES:
- 3 CONNECTED TO REAR SIDE OF PLATE.
  - 2 CABLE IS PART OF WIRE ASM-COACH.
  - 1 CABLE ROUTED IN ROOF.

FOR ELECTRICAL TORQUE SPECIFICATIONS SEE DWG NO. 128783-01-000

FOR ELECTRICAL CALLOUTS SEE DWG NO. 121339-01-000

- 265 CODES/STANDARDS-CSA/CMVSS
- 1B1 CODES/STANDARDS USA

DESCRIPTION:		1B1 265	
<b>WIRING INSTL-TV/DVD</b>			
SHEET:	ITEM/PART NO.:	REV	
4 OF 4	000169855 / 33083401000		