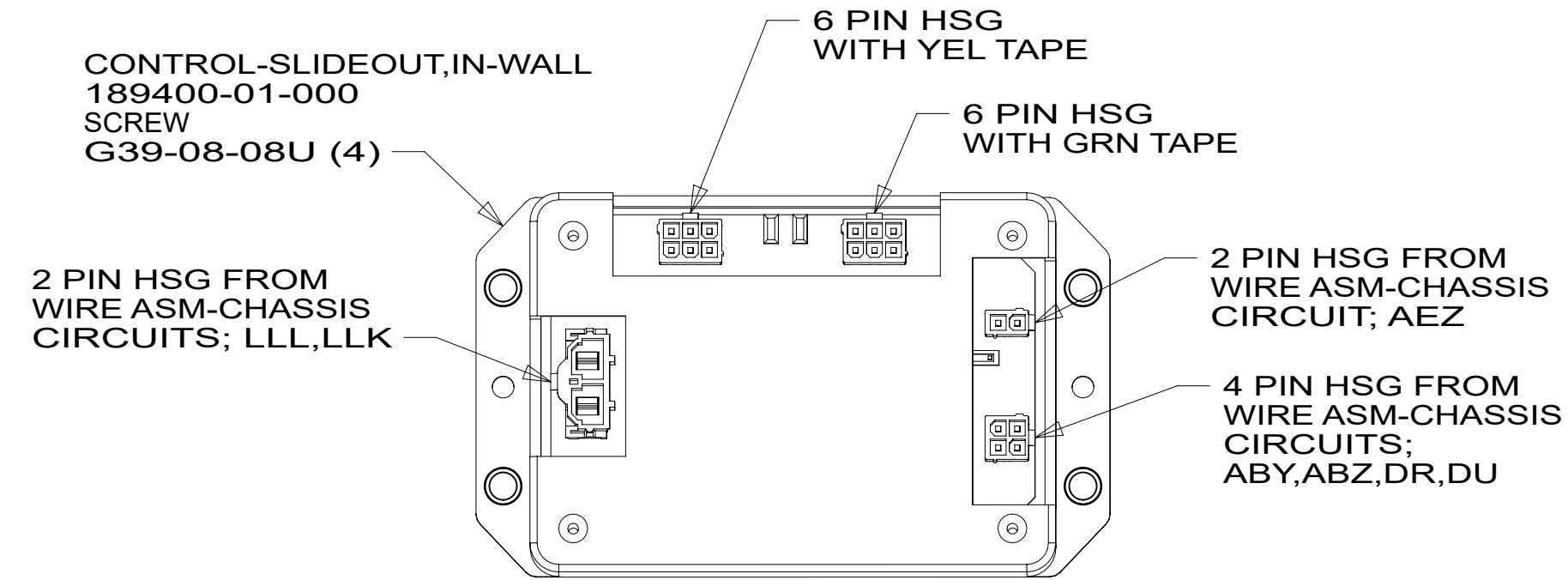
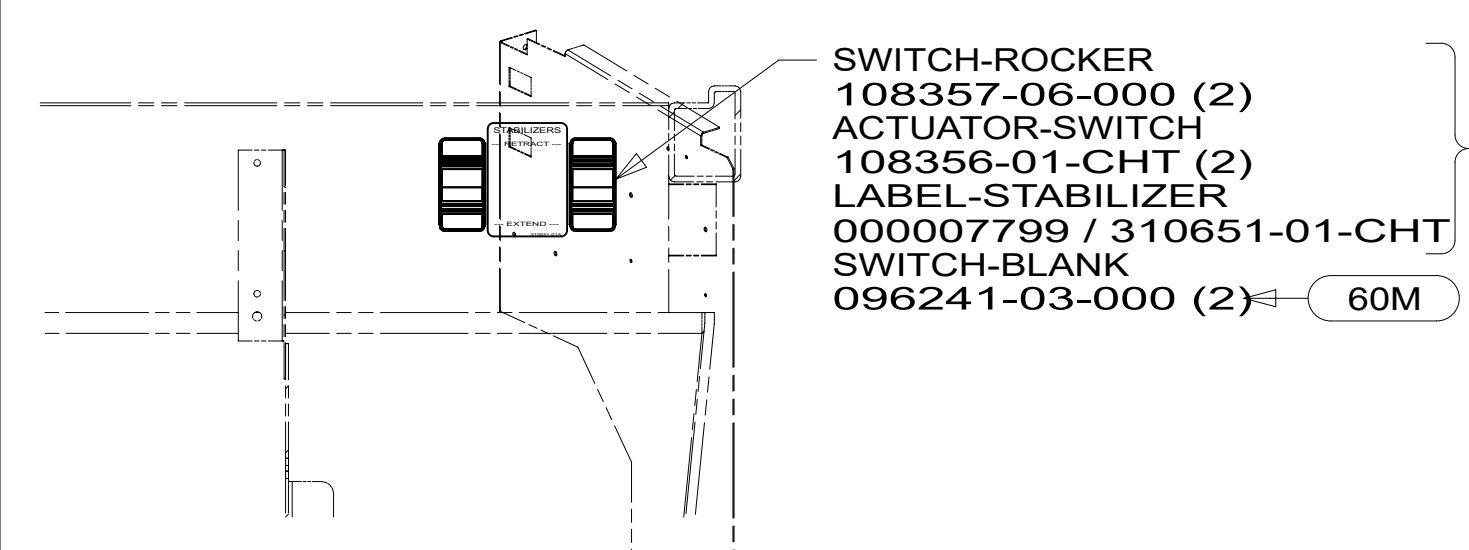


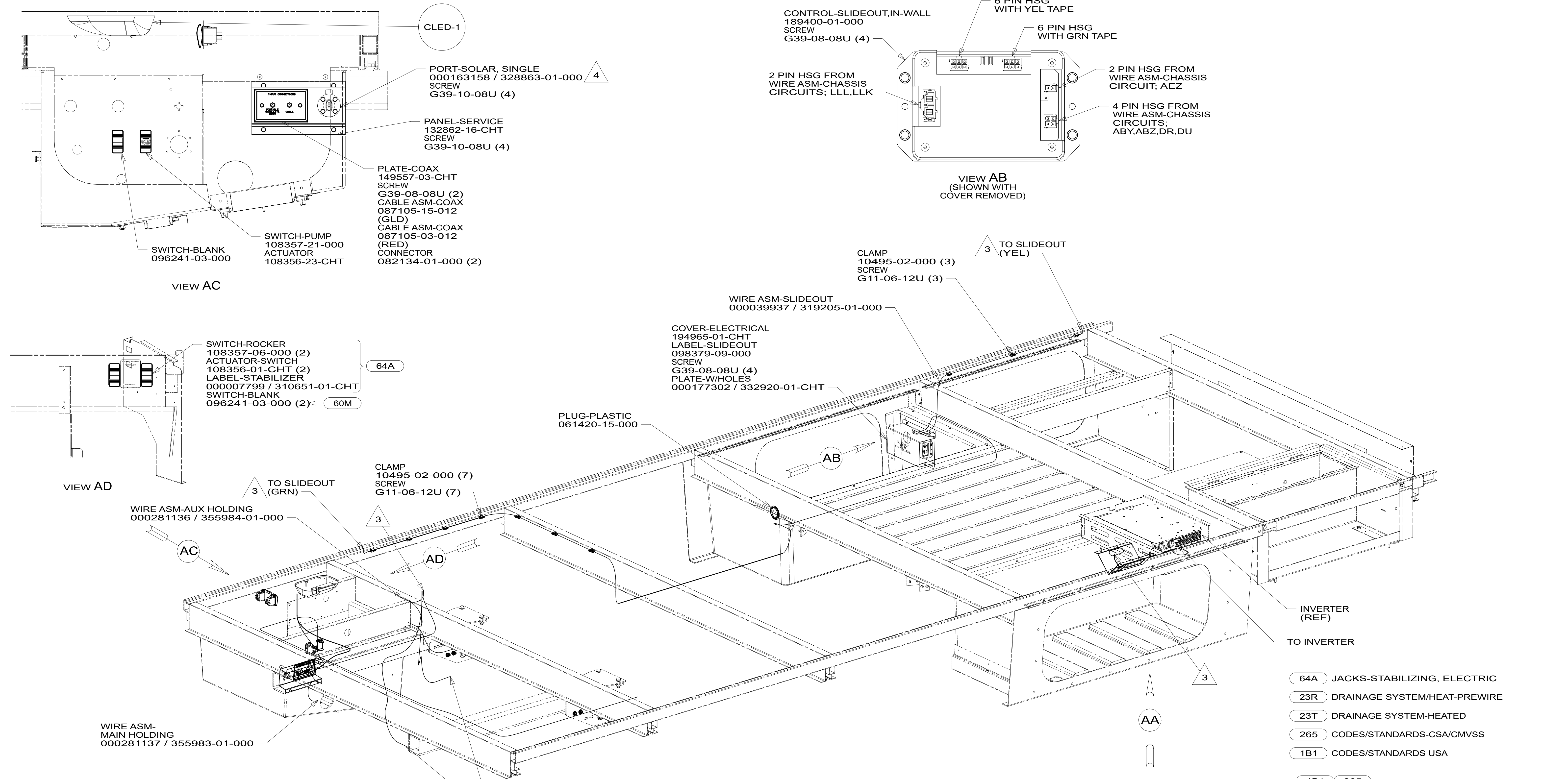
VIEW AC



VIEW AB
(SHOWN WITH COVER REMOVED)



VIEW AD



VIEW AA

- 4 SPLICE YELLOW TO RED AND WHITE TO BLACK.
- 3 WIRE ROUTED THROUGH FLOOR IN THIS AREA.

- 2. FOR TANK WIRES USE WIRE TIE MOUNT 155366-01-000 AS NEEDED. FOR INSIDE COMPARTMENT AND CABINETS USE WIRE TIE MOUNT 357004-01-000 AS NEEDED. ALL SURFACES MUST BE CLEANED WITH ISOPROPYL ALCOHOL, TANKS TO BE PRIMED WITH PRIMER 94 AS WELL.

- 1. AT MINIMUM ALL WIRES TO BE SUPPORTED AND SECURED PER CODE REQUIREMENTS. USE CLAMP 10495 OR 10497 OR WIRE TIE 8343 OR 108046 AND SCREW G67-XX-XXX OR G56-XX-XXX AS APPROPRIATE FOR INSTALLATION.

NOTES:

- 64A JACKS-STABILIZING, ELECTRIC
- 23R DRAINAGE SYSTEM/HEAT-PREWIRE
- 23T DRAINAGE SYSTEM-HEATED
- 265 CODES/STANDARDS-CSA/CMVSS
- 1B1 CODES/STANDARDS USA

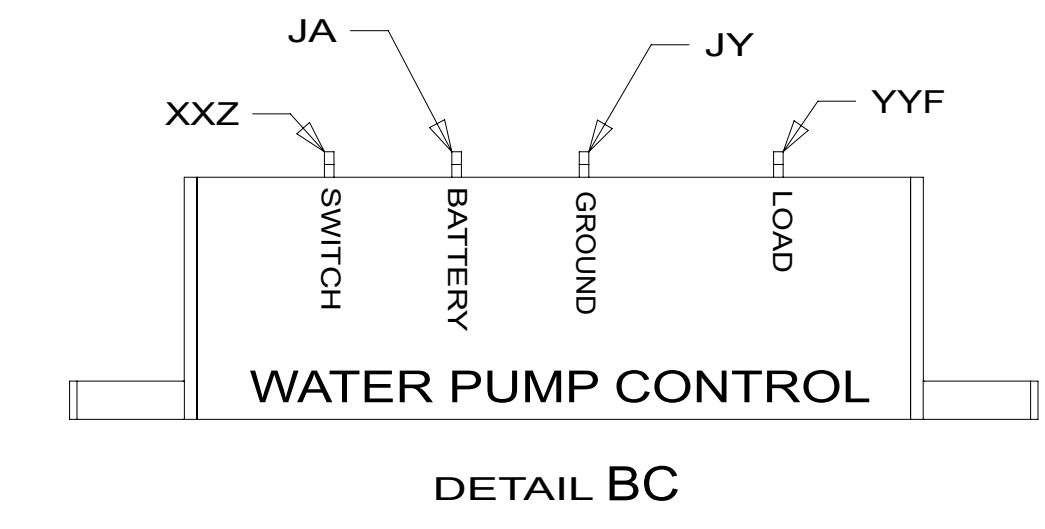
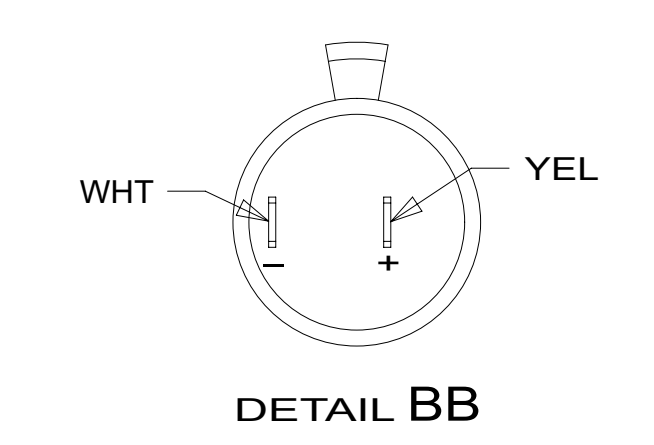
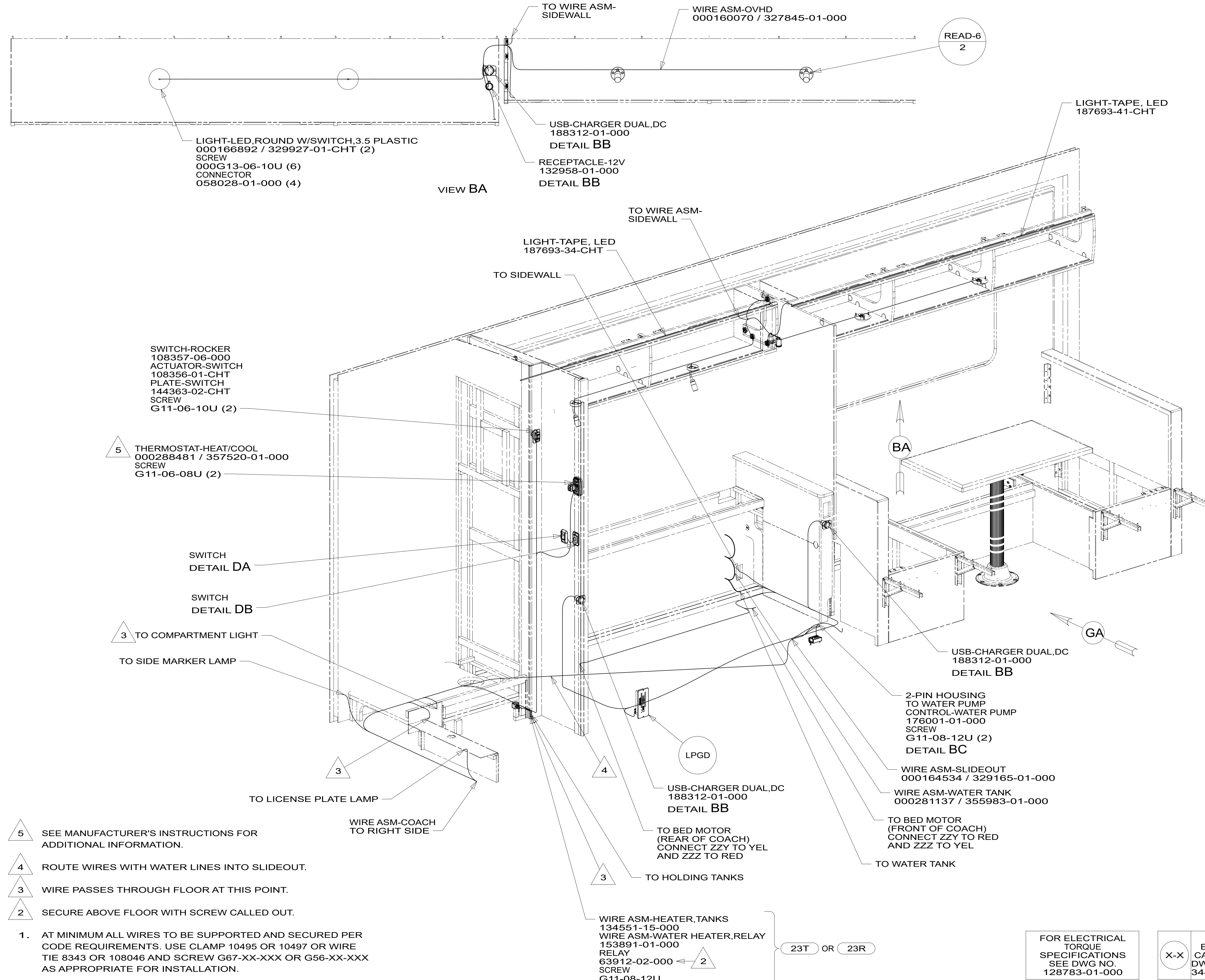
1B1 265

COPYRIGHT 2023 WINNEBAGO INDUSTRIES, INC.

DSNR:		ALL DIMENSIONS ARE IN MILLIMETERS	
DFTF:			
UNSPECIFIED TOLERANCES:		MATERIAL:	
WHOLE DIM (X)	: 3		
ONE-PLACE (X.X)	: 1.5		
TWO-PLACE (X.XX)	: 0.50		
ANGLE	: 1°		
REFER TO ES0018 FOR FASTENER TIGHTENING GUIDELINES		WEIGHT: (LBS)	FIRST USED:
			20 524D
DESCRIPTION:			
WIRING INSTL-BODY, 12V			
SHEET:	ITEM/PART NO.:	REV:	
1 OF 8	000164166 / 32903701000		

FOR ELECTRICAL TORQUE SPECIFICATIONS SEE DWG NO. 128783-01-000

FOR ELECTRICAL CALLOUTS SEE DWG 000228177 344479-01-000



NOTES:

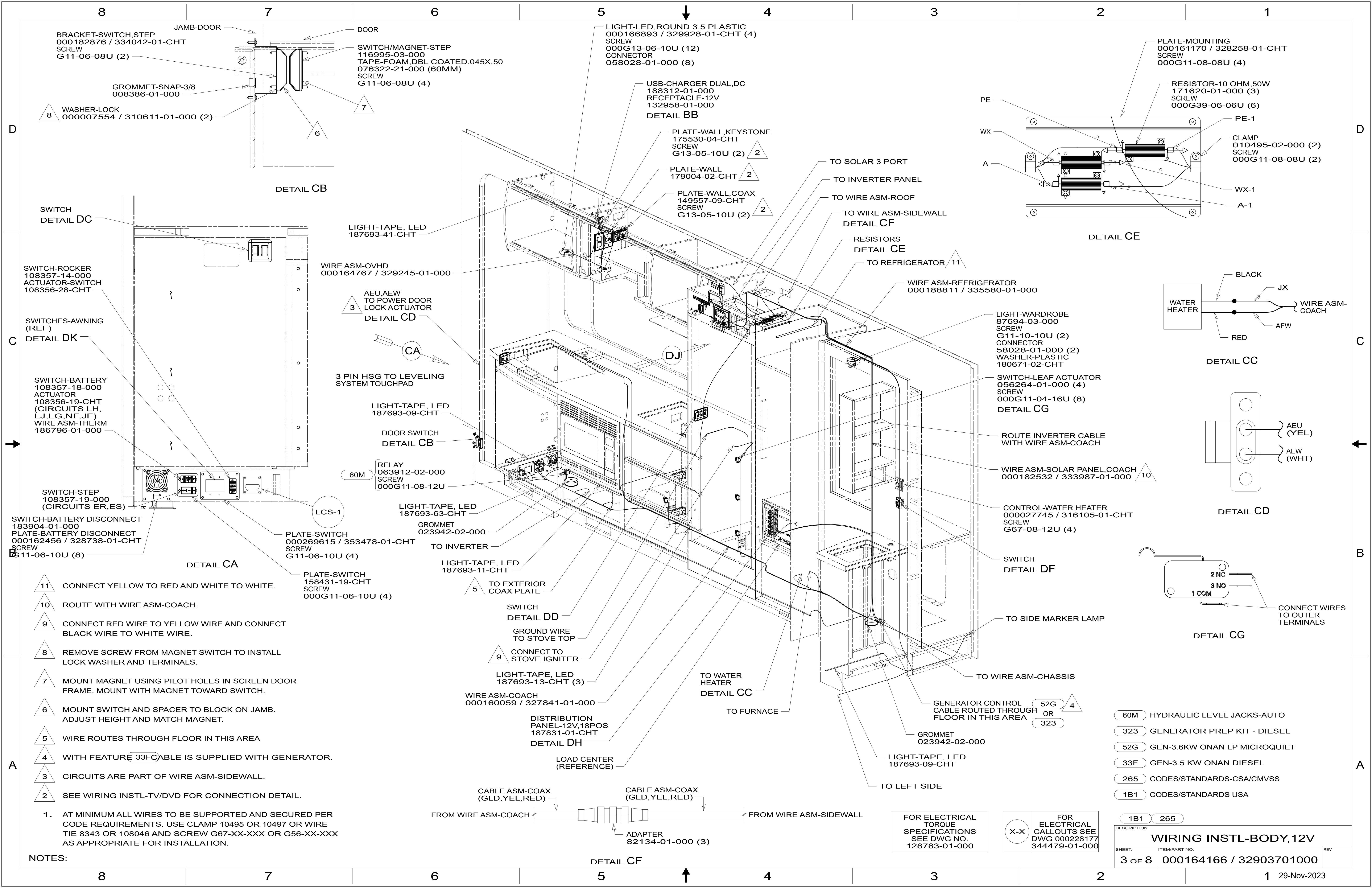
- AT MINIMUM ALL WIRES TO BE SUPPORTED AND SECURED PER CODE REQUIREMENTS. USE CLAMP 10495 OR 10497 OR WIRE TIE 8343 OR 108046 AND SCREW G67-XX-XXX OR G56-XX-XXX AS APPROPRIATE FOR INSTALLATION.

FOR ELECTRICAL TORQUE SPECIFICATIONS SEE DWG NO. 128783-01-000

FOR ELECTRICAL CALLOUTS SEE DWG 000228177 344479-01-000

- 23R DRAINAGE SYSTEM/HEAT-PREWIRE
- 23T DRAINAGE SYSTEM-HEATED
- 265 CODES/STANDARDS-CSA/CMVSS
- 1B1 CODES/STANDARDS USA

DESCRIPTION:		1B1	265
WIRING INSTL-BODY, 12V			
SHEET:	ITEM/PART NO.:	REV	
2 OF 8	000164166 / 32903701000		



BRACKET-SWITCH_STEP
000182876 / 334042-01-CHT
SCREW
G11-06-08U (2)

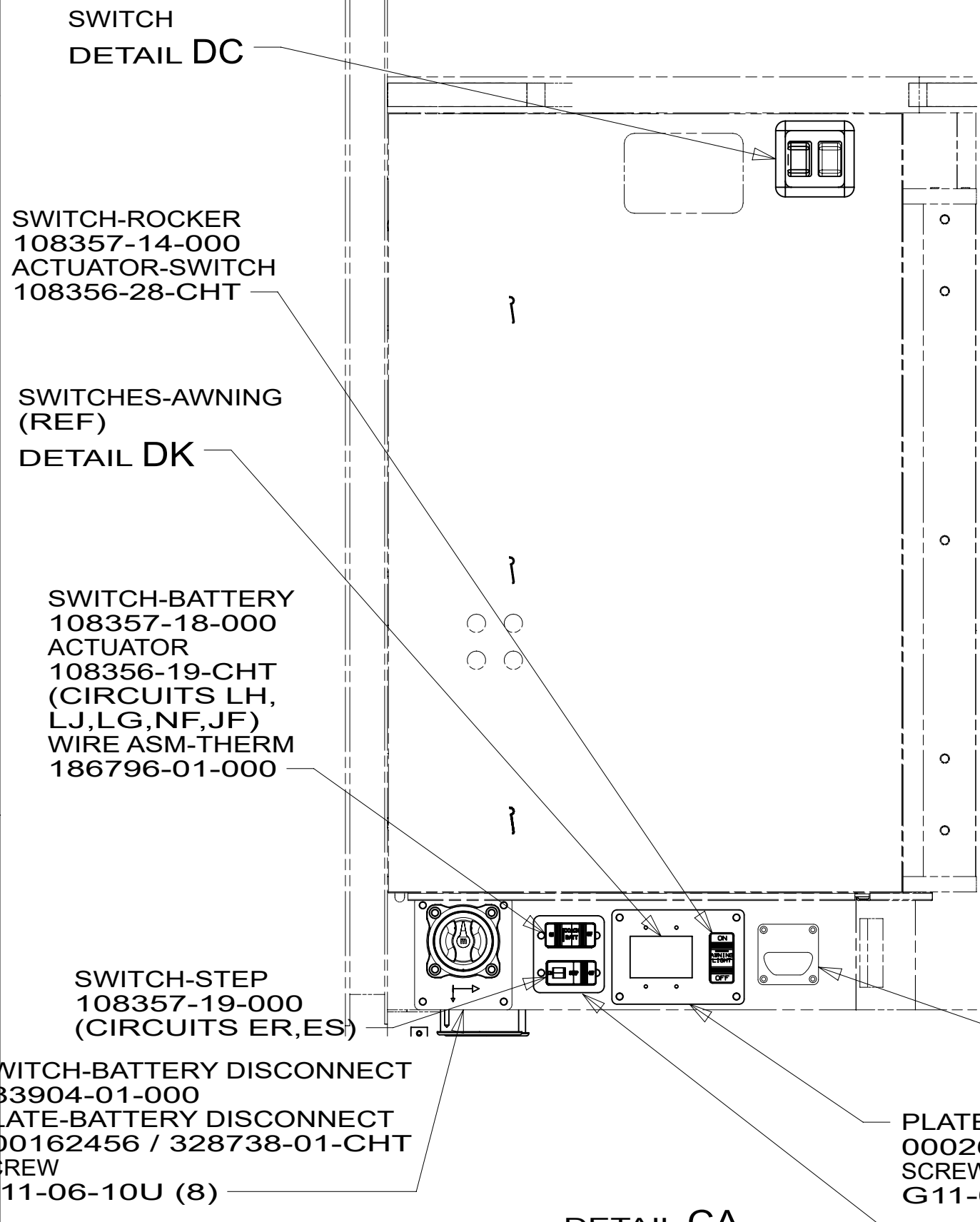
SWITCH/MAGNET-STEP
116995-03-000
TAPE-FOAM,DBL COATED.045X.50
076322-21-000 (60MM)
SCREW
G11-06-08U (4)

LIGHT-LED,ROUND 3.5 PLASTIC
000166893 / 329928-01-CHT (4)
SCREW
000G13-06-10U (12)
CONNECTOR
058028-01-000 (8)

PLATE-MOUNTING
000161170 / 328258-01-CHT
SCREW
000G11-08-08U (4)

DETAIL CB

DETAIL CE



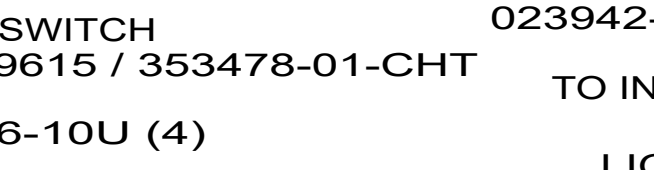
DETAIL CA



DETAIL CD



DETAIL CB



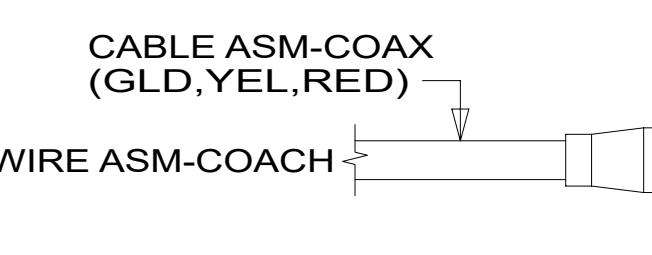
DETAIL CA



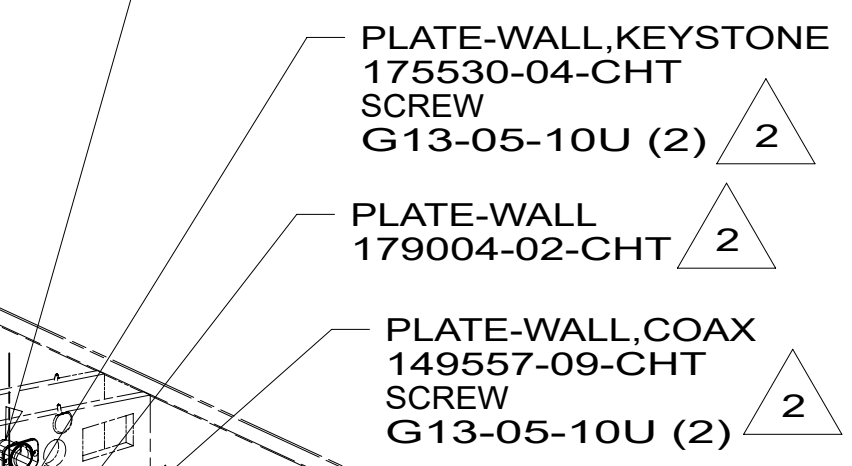
DETAIL DD



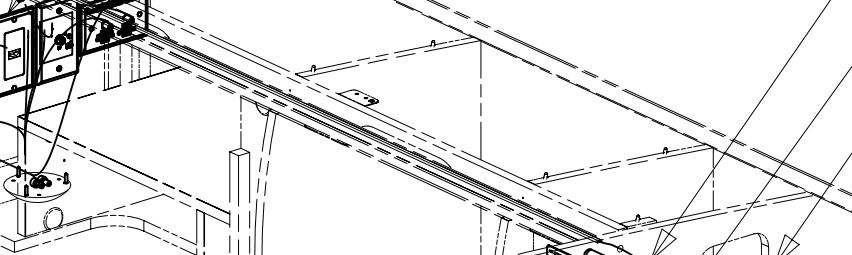
DETAIL CC



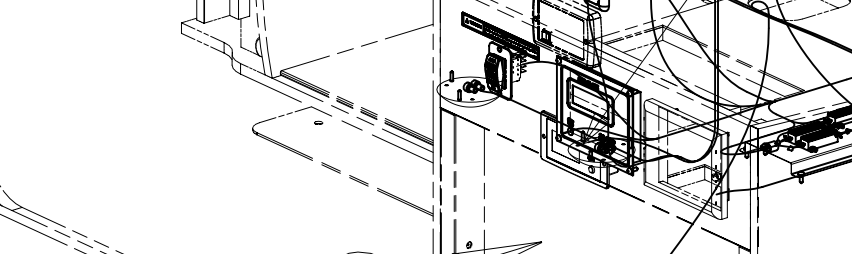
DETAIL DH



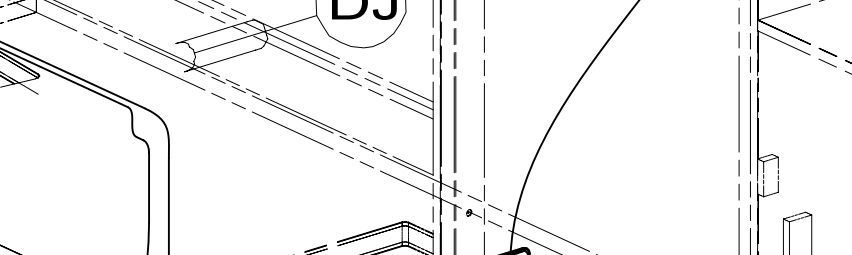
DETAIL BB



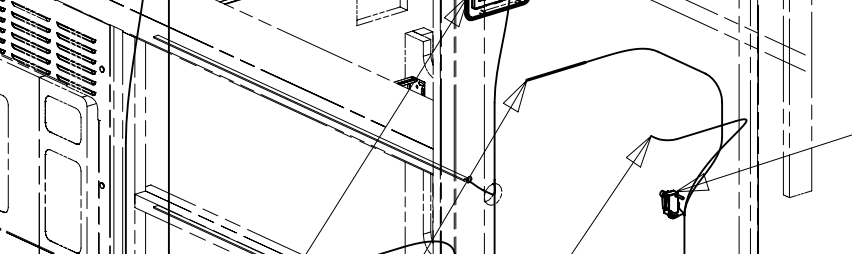
DETAIL CF



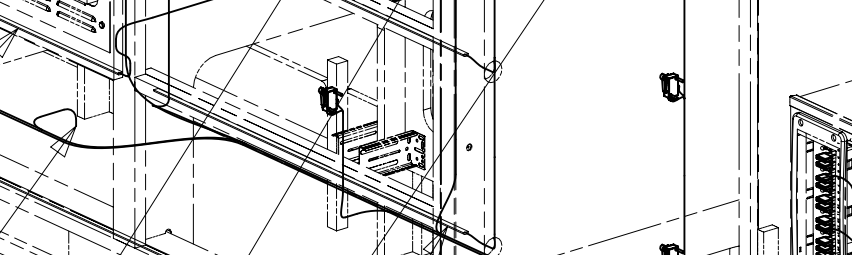
DETAIL CE



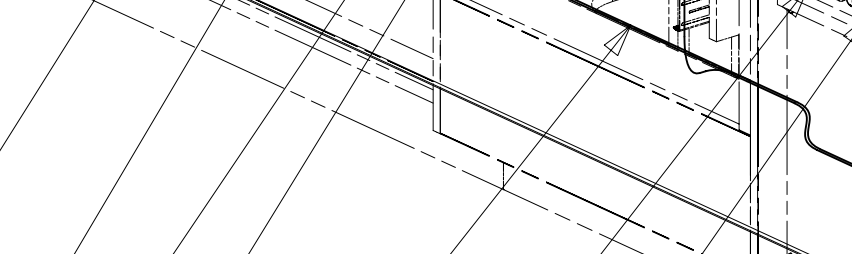
DETAIL CD



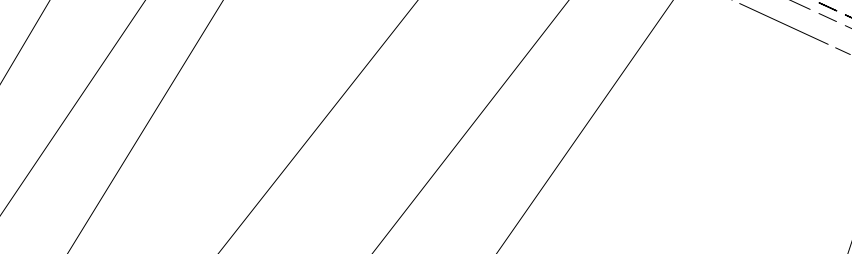
DETAIL CB



DETAIL CA



DETAIL DD



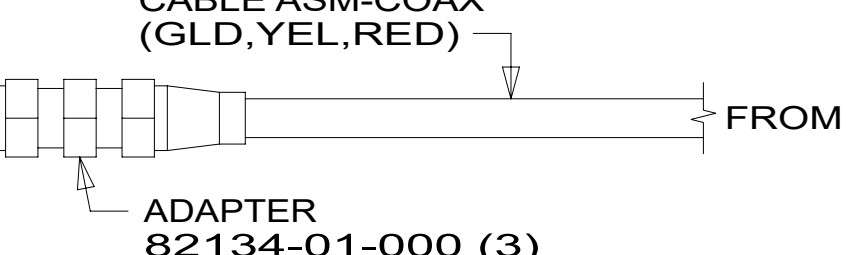
DETAIL CC



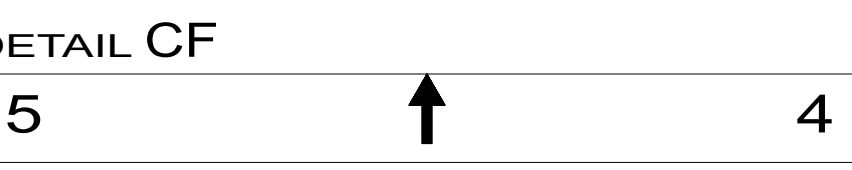
DETAIL DH



DETAIL CF



DETAIL CE



DETAIL CD

- 11 CONNECT YELLOW TO RED AND WHITE TO WHITE.
- 10 ROUTE WITH WIRE ASM-COACH.
- 9 CONNECT RED WIRE TO YELLOW WIRE AND CONNECT BLACK WIRE TO WHITE WIRE.
- 8 REMOVE SCREW FROM MAGNET SWITCH TO INSTALL LOCK WASHER AND TERMINALS.
- 7 MOUNT MAGNET USING PILOT HOLES IN SCREEN DOOR FRAME. MOUNT WITH MAGNET TOWARD SWITCH.
- 6 MOUNT SWITCH AND SPACER TO BLOCK ON JAMB. ADJUST HEIGHT AND MATCH MAGNET.
- 5 WIRE ROUTES THROUGH FLOOR IN THIS AREA
- 4 WITH FEATURE 33FCABLE IS SUPPLIED WITH GENERATOR.
- 3 CIRCUITS ARE PART OF WIRE ASM-SIDEWALL.
- 2 SEE WIRING INSTL-TV/DVD FOR CONNECTION DETAIL.

1. AT MINIMUM ALL WIRES TO BE SUPPORTED AND SECURED PER CODE REQUIREMENTS. USE CLAMP 10495 OR 10497 OR WIRE TIE 8343 OR 108046 AND SCREW G67-XX-XXX OR G56-XX-XXX AS APPROPRIATE FOR INSTALLATION.

NOTES:

FOR ELECTRICAL TORQUE SPECIFICATIONS SEE DWG NO. 128783-01-000

FOR ELECTRICAL CALLOUTS SEE DWG 000228177 344479-01-000

- 60M HYDRAULIC LEVEL JACKS-AUTO
- 323 GENERATOR PREP KIT - DIESEL
- 52G GEN-3.6KW ONAN LP MICROQUIET
- 33F GEN-3.5 KW ONAN DIESEL
- 265 CODES/STANDARDS-CSA/CMVSS
- 1B1 CODES/STANDARDS USA

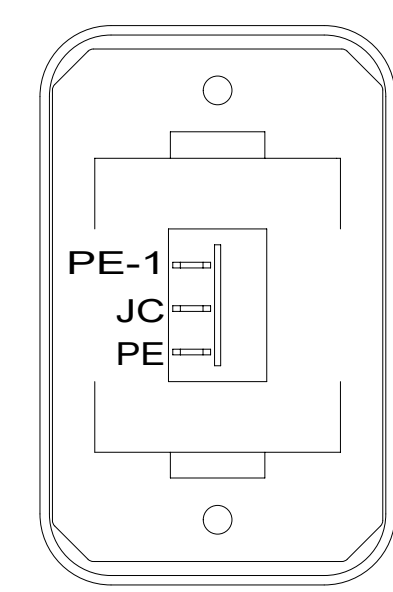
DESCRIPTION:	WIRING INSTL-BODY,12V	
SHEET:	3 OF 8	ITEM/PART NO. 000164166 / 32903701000
REV		29-Nov-2023

D

C

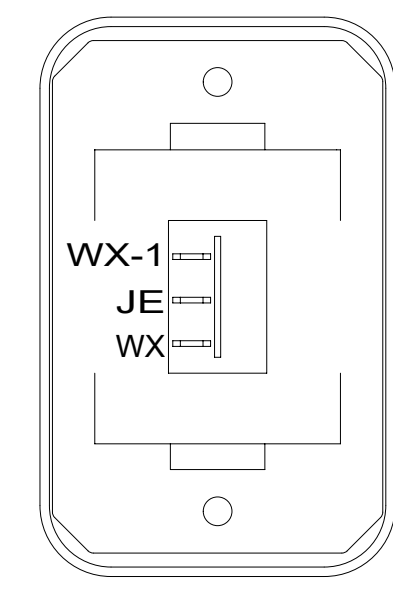
B

A



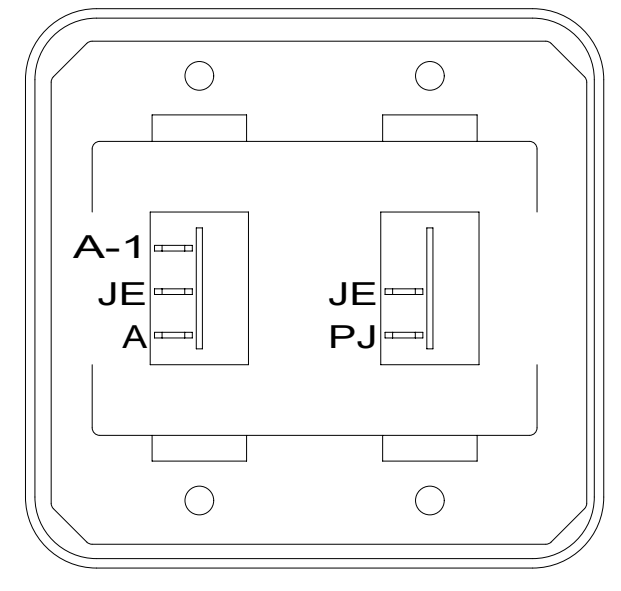
SWITCH-ROCKER
135740-04-CHT
SWITCH-BASE
135741-01-CHT
SWITCH-BEZEL
135742-01-CHT
SCREW
G11-08-08U (2)

DETAIL DA



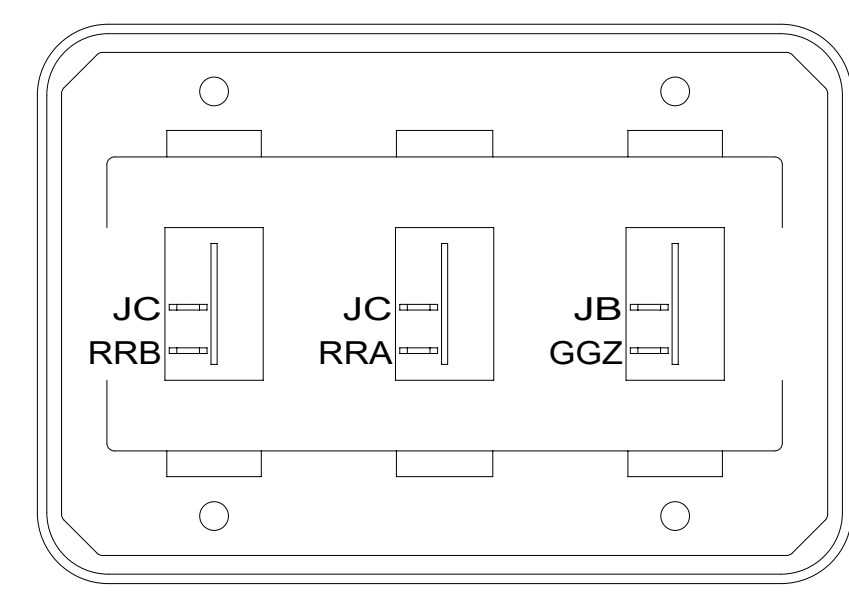
SWITCH-ROCKER
135740-04-CHT
SWITCH-BASE
135741-01-CHT
SWITCH-BEZEL
135742-01-CHT
SCREW
G11-08-08U (2)

DETAIL DB



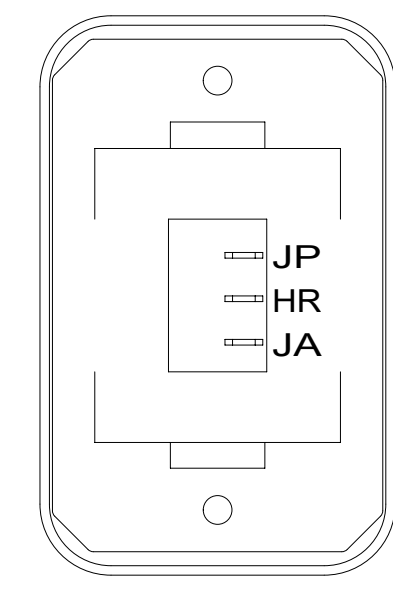
SWITCH-ROCKER
135740-01-CHT
SWITCH-ROCKER
135740-04-CHT
SWITCH-BASE
135741-02-CHT
SWITCH-BEZEL
135742-02-CHT
SCREW
G11-08-08U (4)

DETAIL DC



SWITCH-ROCKER
135740-01-CHT (3)
SWITCH-BASE
135741-03-CHT
SWITCH-BEZEL
135742-03-CHT
SCREW
G11-08-08U (4)

DETAIL DD



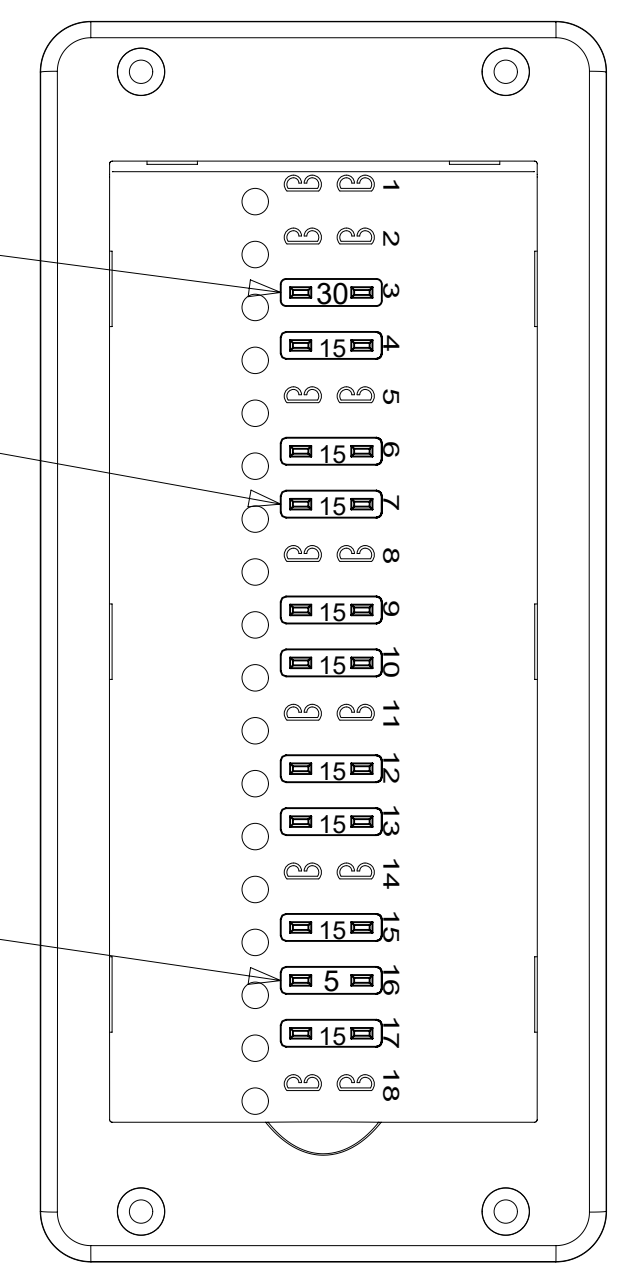
SWITCH-ROCKER
135740-06-CHT
SWITCH-BASE
135741-01-CHT
SWITCH-BEZEL
135742-01-CHT
SCREW
G11-08-08U (2)

DETAIL DE 23T OR 23R

FUSE-30 AMPS, AUTOMOTIVE
062901-08-000

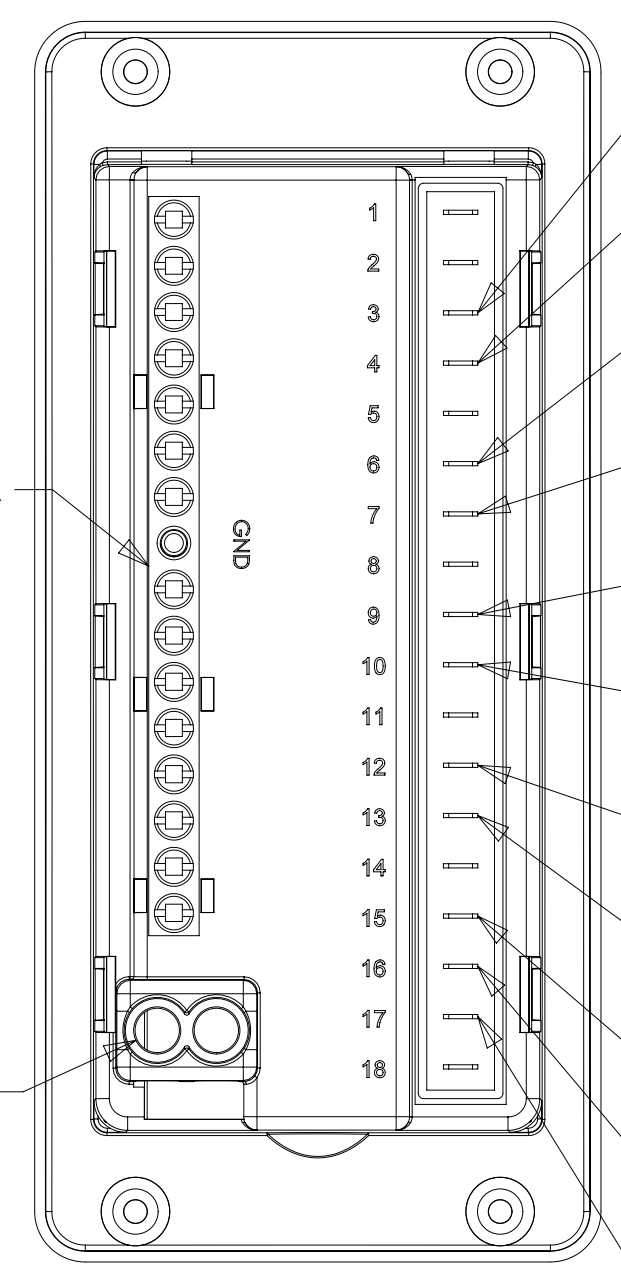
FUSE-15 AMPS, AUTOMOTIVE
062901-05-000 (9)

FUSE-5 AMP, AUTOMOTIVE
062901-02-000



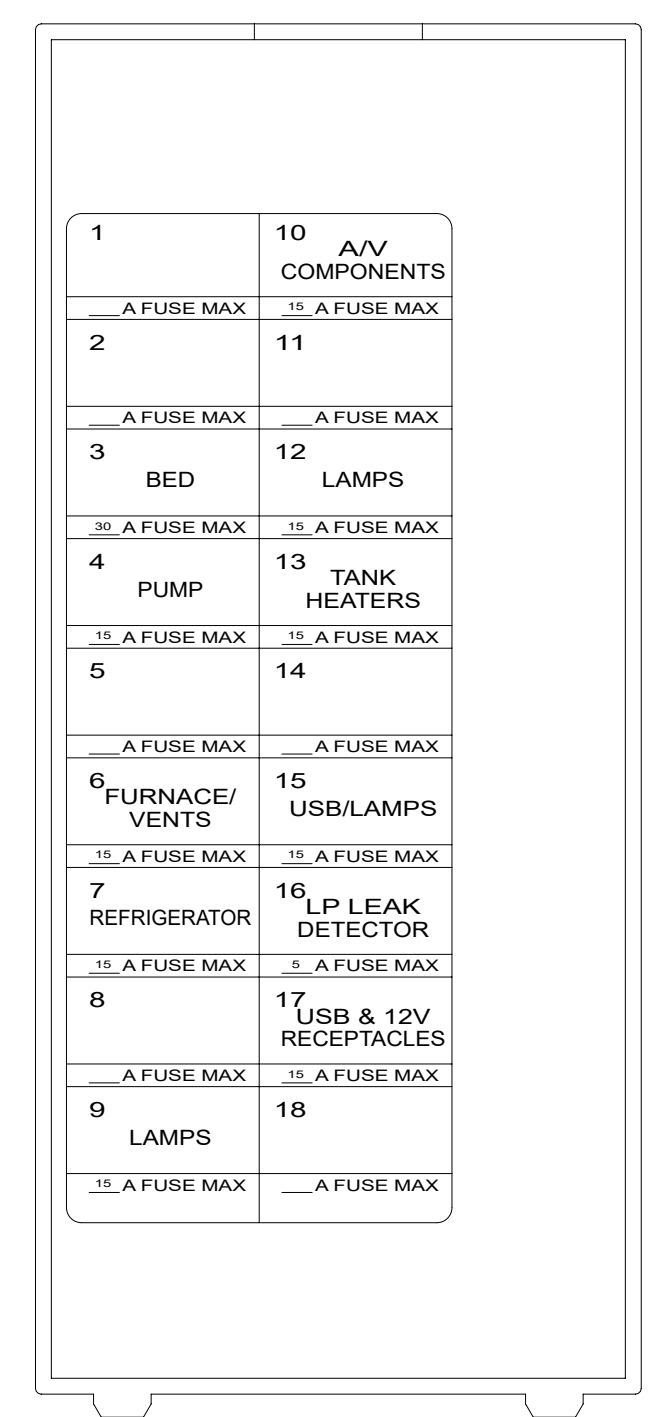
DETAIL DH
(SHOWN WITH
COVER REMOVED)

GROUND BAR
CIRCUITS:
ND, NF, JN, NE, JP,
PM, UK, NC, JX, FFE,
JM, MS, JY, EED, GGA



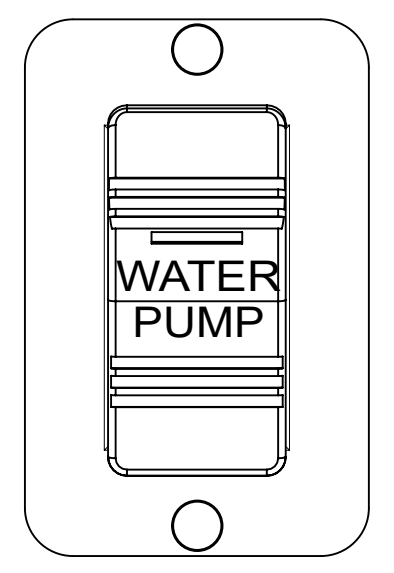
DETAIL DH
(BACK SIDE)

- EEC 10 YEL (BED)
- JA 12 YEL (PUMP)
- JB 14 YEL (FURNACE/VENTS)
- JG 10 YEL (REFRIGERATOR)
- JC 14 YEL (LAMPS)
- JD 14 YEL (AV COMPONENTS)
- JE 14 YEL (LAMPS)
- NM 12 YEL (TANK HEATERS)
- JF 14 YEL (USB/LAMPS)
- WB 16 YEL (LP LEAK DETECTOR)
- FFZ 14 YEL (USB & 12V RECEPTACLES)



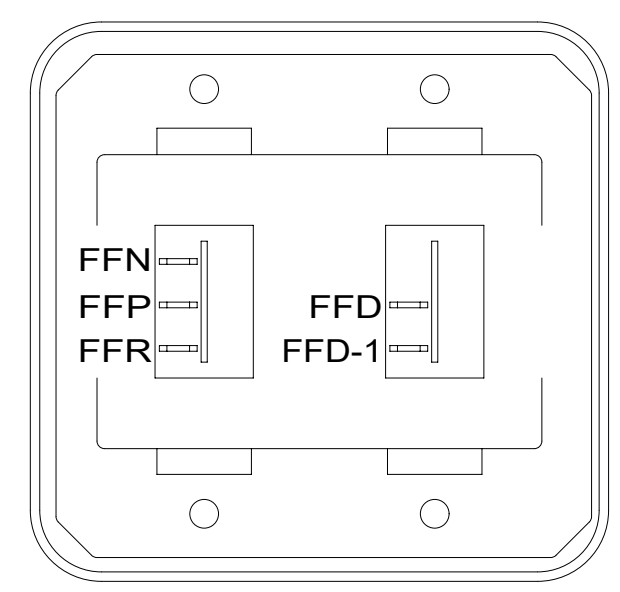
DETAIL DH
(BACK SIDE
OF COVER)

1	10	A/V COMPONENTS
A FUSE MAX	15	A FUSE MAX
2	11	
A FUSE MAX	15	A FUSE MAX
3	12	LAMPS
30	15	A FUSE MAX
4	13	TANK HEATERS
15	14	A FUSE MAX
A FUSE MAX	A FUSE MAX	
6	15	USB/LAMPS
15	15	A FUSE MAX
7	16	LP LEAK DETECTOR
15	15	A FUSE MAX
8	17	USB & 12V RECEPTACLES
A FUSE MAX	15	A FUSE MAX
9	18	LAMPS
15	15	A FUSE MAX



DETAIL DF

SWITCH
108357-21-000
ACTUATOR
108356-23-CHT
PLATE-SWITCH
144363-02-CHT
SCREW
G11-06-10U (2)



DETAIL DK

LABEL-WARNING
116549-01-000

SWITCH
108357-18-000
ACTUATOR
108356-31-CHT
PLATE-SWITCH
144363-02-CHT
SCREW
G11-06-10U (2)

MONITOR PANEL
175724-06-000
175724-03-000
SCREW
G11-08-08U (4)

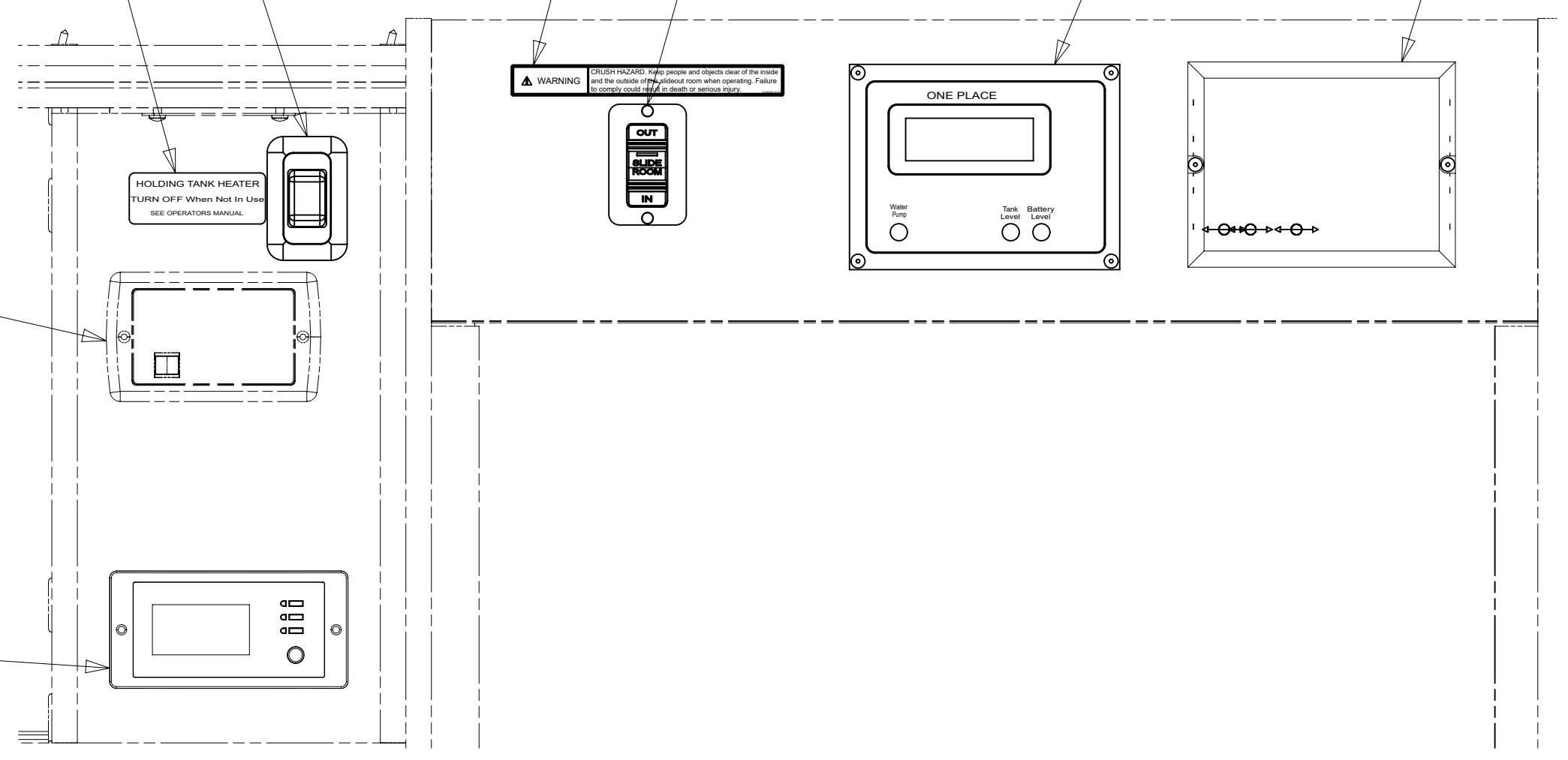
CONTROL-CHARGE,
SOLAR 30 AMP
191278-01-000
SCREW
G11-08-08U (2)
DETAIL DG

23T OR 23R LABEL-SWITCH,
HTR, HOLDING TK
134563-01-CHT

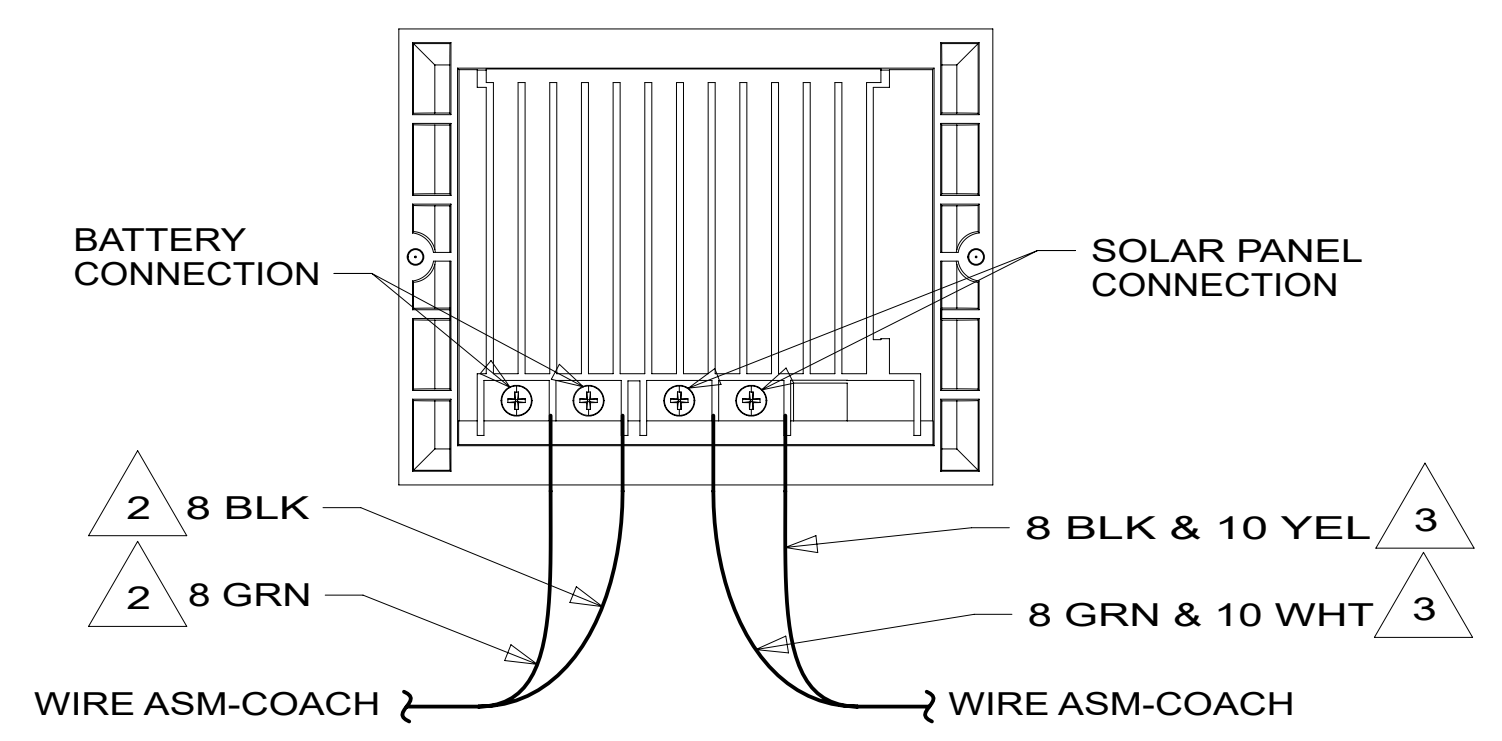
SWITCH
DETAIL DE

1 33F SWITCH-PANEL,
GENERATOR

REMOTE PANEL-INVERTER
000160575 / 328082-01-000
(ROUTE SUPPLIED INVERTER
CABLE WITH WIRE ASM-COACH
TO INVERTER)



DETAIL DJ



DETAIL DG

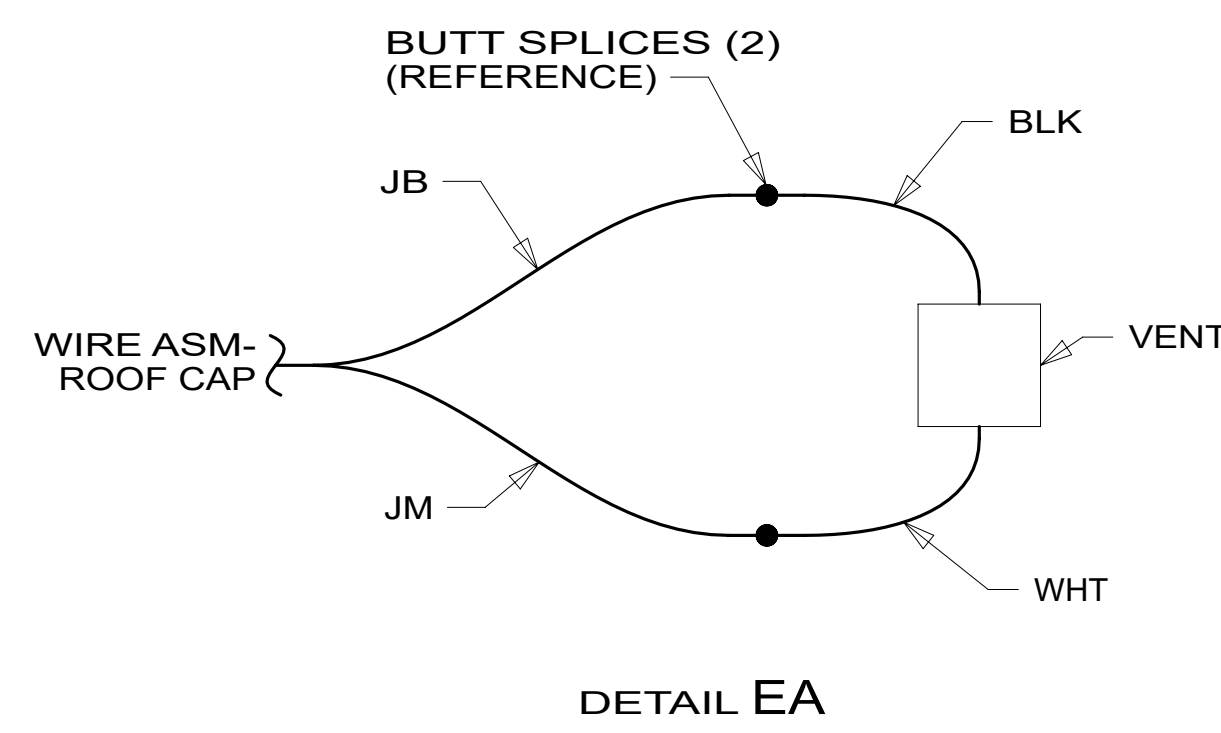
- NOTES:
- 4 CIRCUIT FROM WIRE ASM-CHASSIS.
 - 3 WIRE IS MARKED WITH YELLOW TAPE.
 - 2 WIRE IS MARKED WITH GOLD TAPE.
 - 1 PANEL SUPPLIED WITH GENERATOR.

FOR ELECTRICAL
TORQUE
SPECIFICATIONS
SEE DWG NO.
128783-01-000

FOR ELECTRICAL
CALLOUTS SEE
DWG 000228177
344479-01-000

- 33F GEN-3.2 KW ONAN DIESEL
- 52G GEN-3.6KW ONAN LP MICROQUIET
- 23R DRAINAGE SYSTEM/HEAT-PREWIRE
- 23T DRAINAGE SYSTEM-HEATED
- 265 CODES/STANDARDS-CSA/CMVSS
- 1B1 CODES/STANDARDS USA

DESCRIPTION: WIRING INSTL-BODY, 12V	
SHEET: 4 OF 8	ITEM/PART NO.: 000164166 / 32903701000
REV 1 29-Nov-2023	



RECEPTACLE-12V
132958-01-000
USB-CHARGER DUAL,DC
188312-01-000
DETAIL BB

CONNECT ANTENNA
GROUND TO ANTENNA
PLATE

GROMMET
071015-36-000

BLUETOOTH
CONTROLLER
(SUPPLIED
WITH AWNING)
FFN, FFR
TO AWNING SWITCH
FFE, FFD, FFD
TO AWNING POWER
ZZK
TO AWNING LIGHT
WJ-1
TO IGN LOCK
DETAIL EB

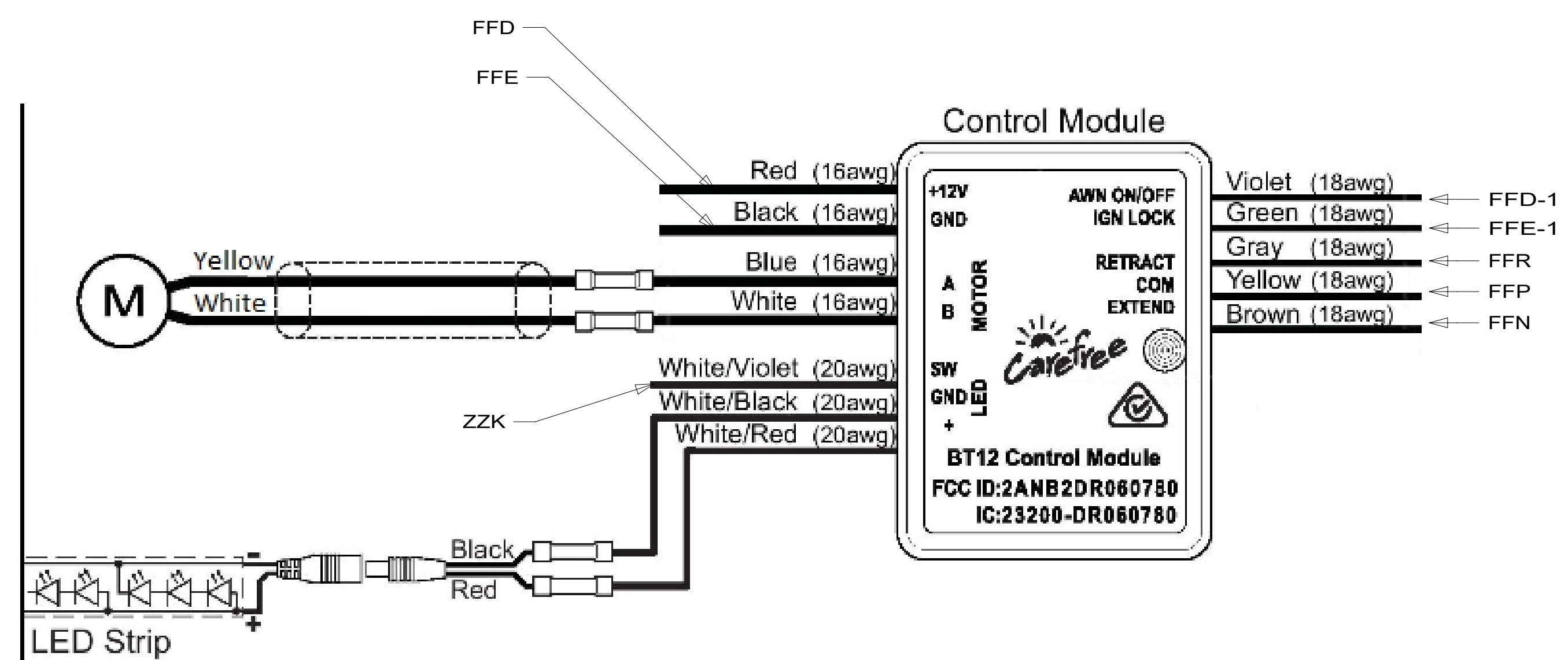
RELAY
063912-02-000

TO WIRE ASM-ROOF

WIRE ASM-VENT,ROOF CAP
000160097 / 327852-01-000

TO ROOF VENT
DETAIL EA

READ-6



FOR ELECTRICAL
TORQUE
SPECIFICATIONS
SEE DWG NO.
128783-01-000

FOR ELECTRICAL
CALLOUTS SEE
DWG 000228177
344479-01-000

265 CODES/STANDARDS-CSA/CMVSS
1B1 CODES/STANDARDS USA

DESCRIPTION:	
1B1 265	
WIRING INSTL-BODY,12V	
SHEET:	ITEM/PART NO:
5 OF 8	000164166 / 32903701000
REV	

8 7 6 5 4 3 2 1

D

D

C

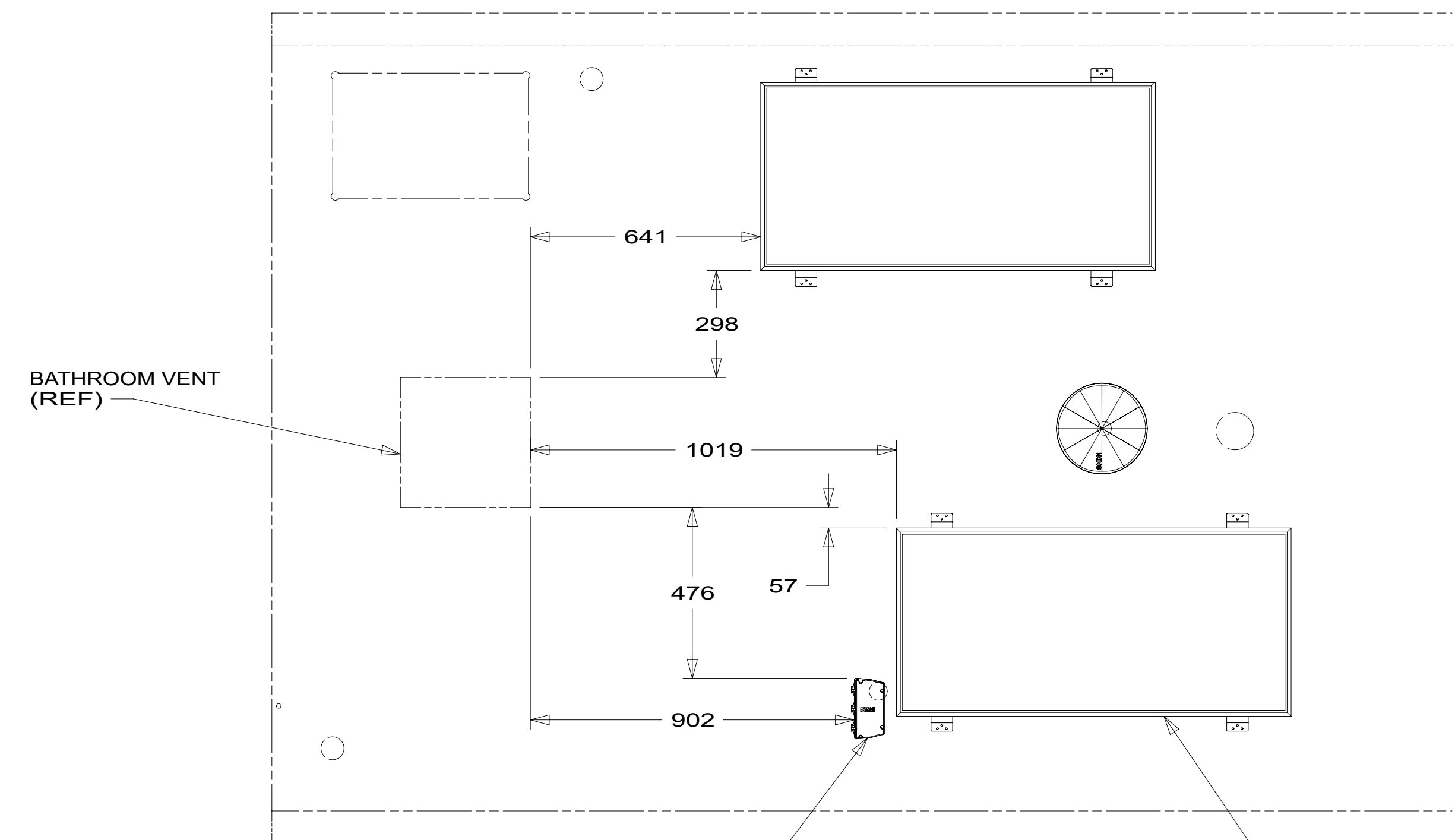
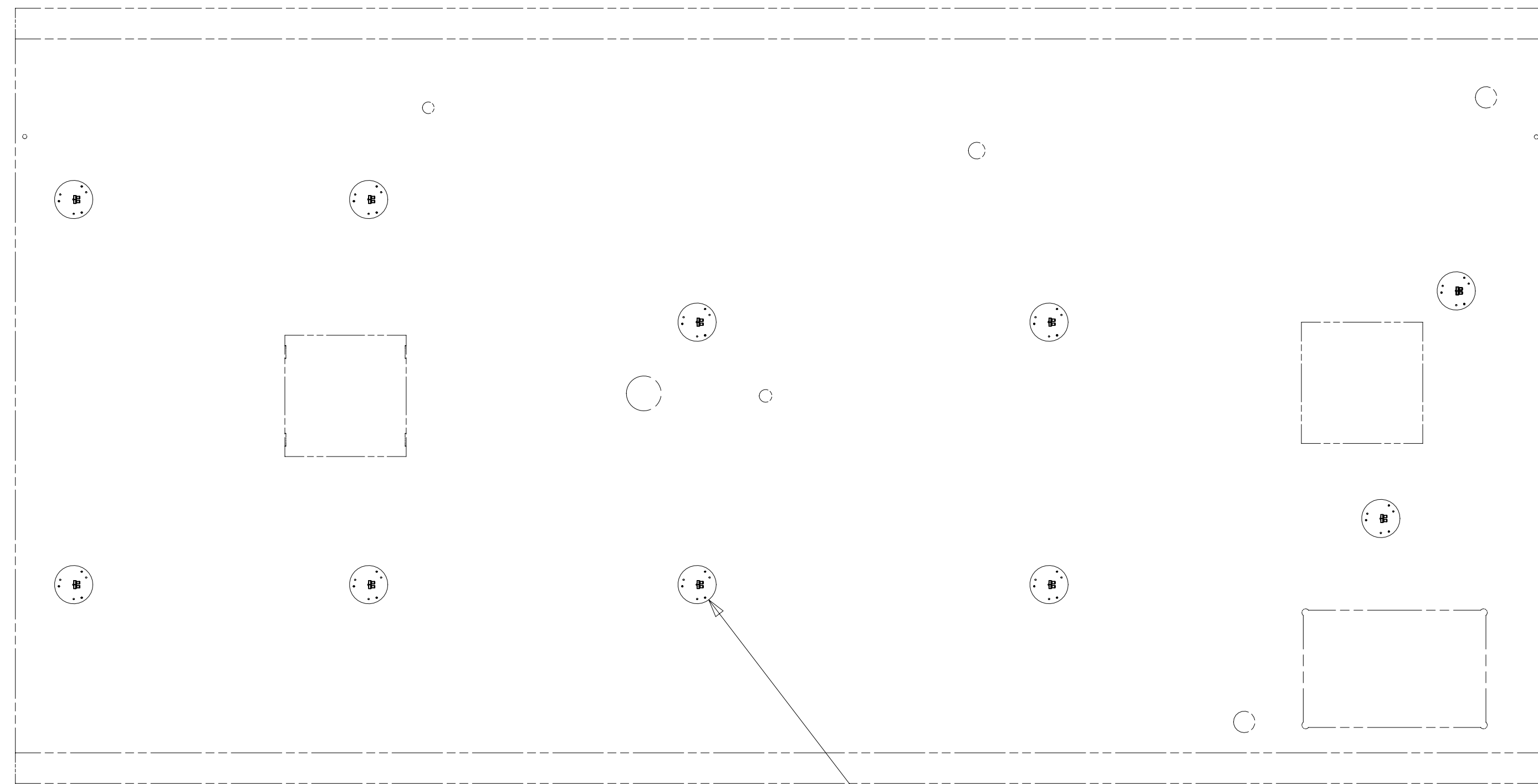
C

B

B

A

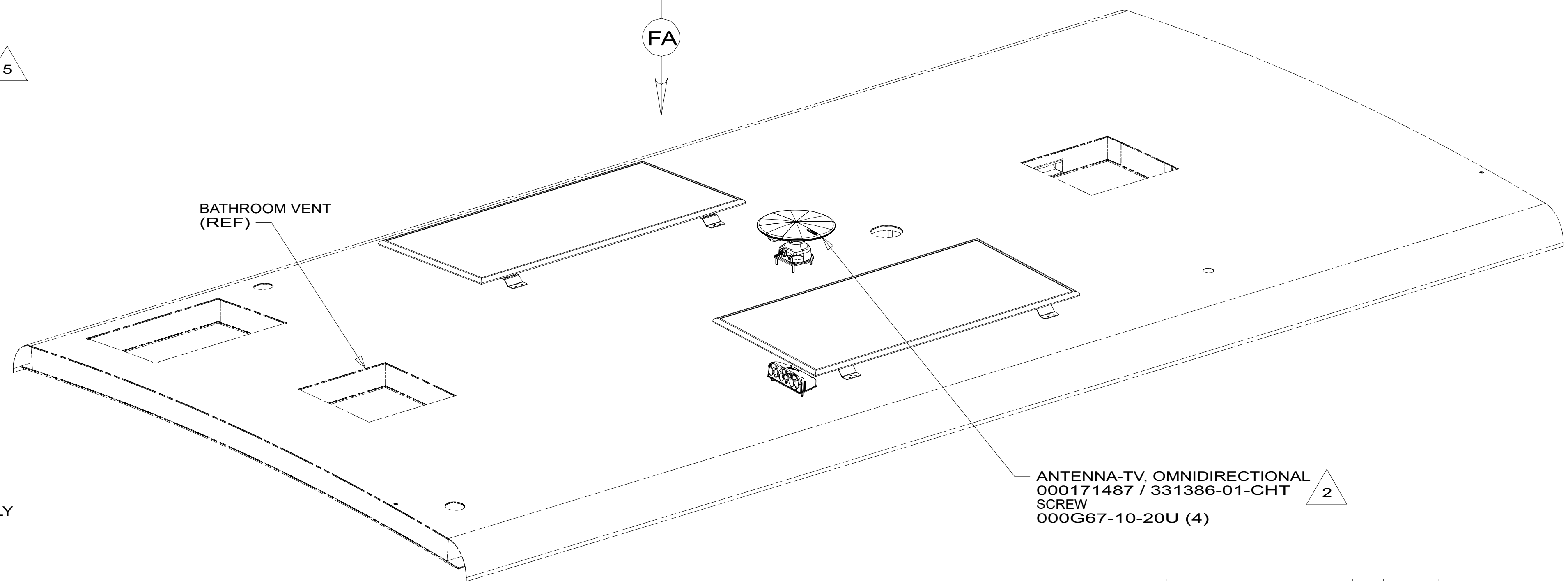
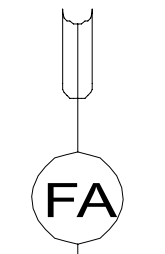
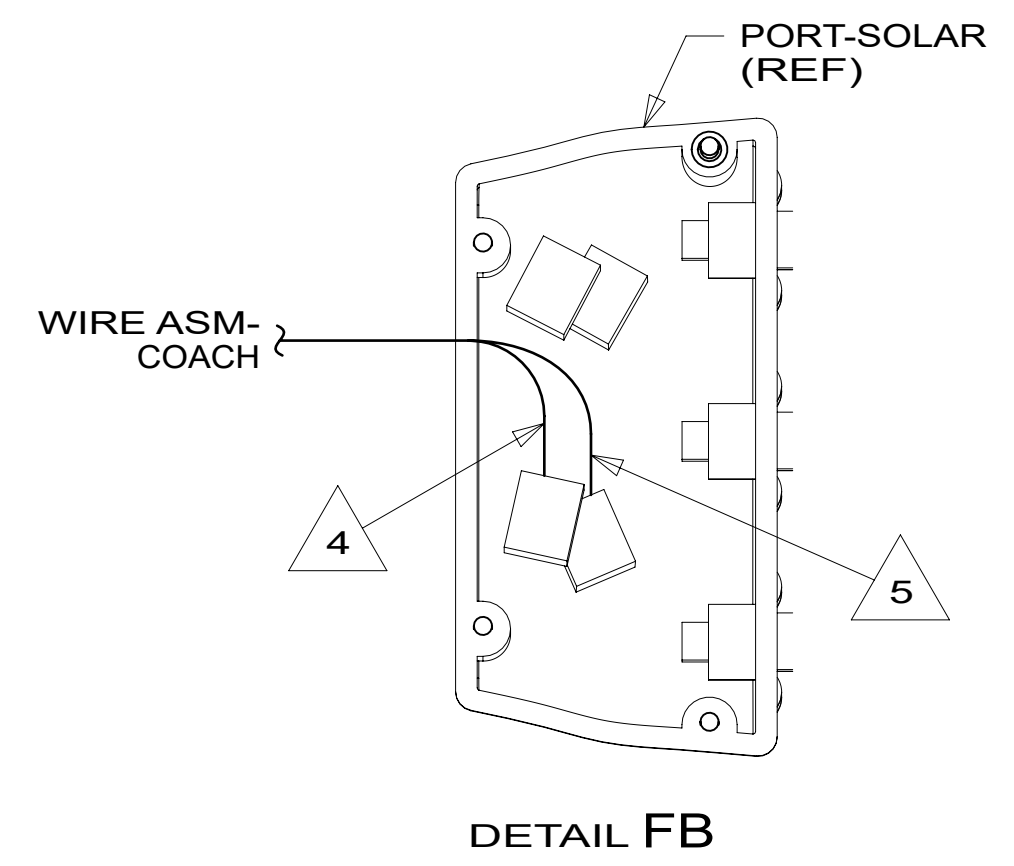
A



LIGHT-LED, ROUND 4.5 PLASTIC
000166889 / 329926-01-CHT (10)
SCREW
000G13-06-16U (30)
CONNECTOR
058028-01-000 (20)

PORT-SOLAR, 3 POSITION
000170803 / 331218-01-CHT
SCREW
000G67-10-12U (4)
DETAIL FB

PANEL-SOLAR 100 WATT
000221016 / 342435-01-000 (2)
BRACKET-MOUNTING, SOLAR PANEL
000223989 / 343383-01-CHT (8)
STD_WASHER_TEMPLATE
000E11-04-00U (16)
BOLT-HEX, 1/4-20X1/2
000C12-04-08U (16)
NUT-T, 1/4-20
000224221 / 343407-01-CHT (16)
CABLE-EXTENSION, SOLAR, 21 INCH
000207346 / 339228-01-000 (2)
CABLE EXTENSION, SOLAR 10 FT
000282849 / 356473-01-0000
SCREW
G39-10-10U (16)



- 5 CONNECT VENDOR BLK WIRE TO WINNEBAGO GRN WIRE.
- 4 CONNECT VENDOR RED WIRE TO WINNEBAGO BLK WIRE MARKED WITH RED TAPE
- 3 PLACE ROOF SEALANT WHERE NEEDED (APPROXIMATELY 75MM WIDE) AND PUSH THE CABLES INTO THE SEALANT TO STABILIZE THEM.
- 2 SEE ANTENNA INSTALLATION MANUAL FOR CORRECT INSTALLATION PROCEDURE.

NOTES:
1. SEE ROOF ASM FOR ADDITIONAL INFORMATION.

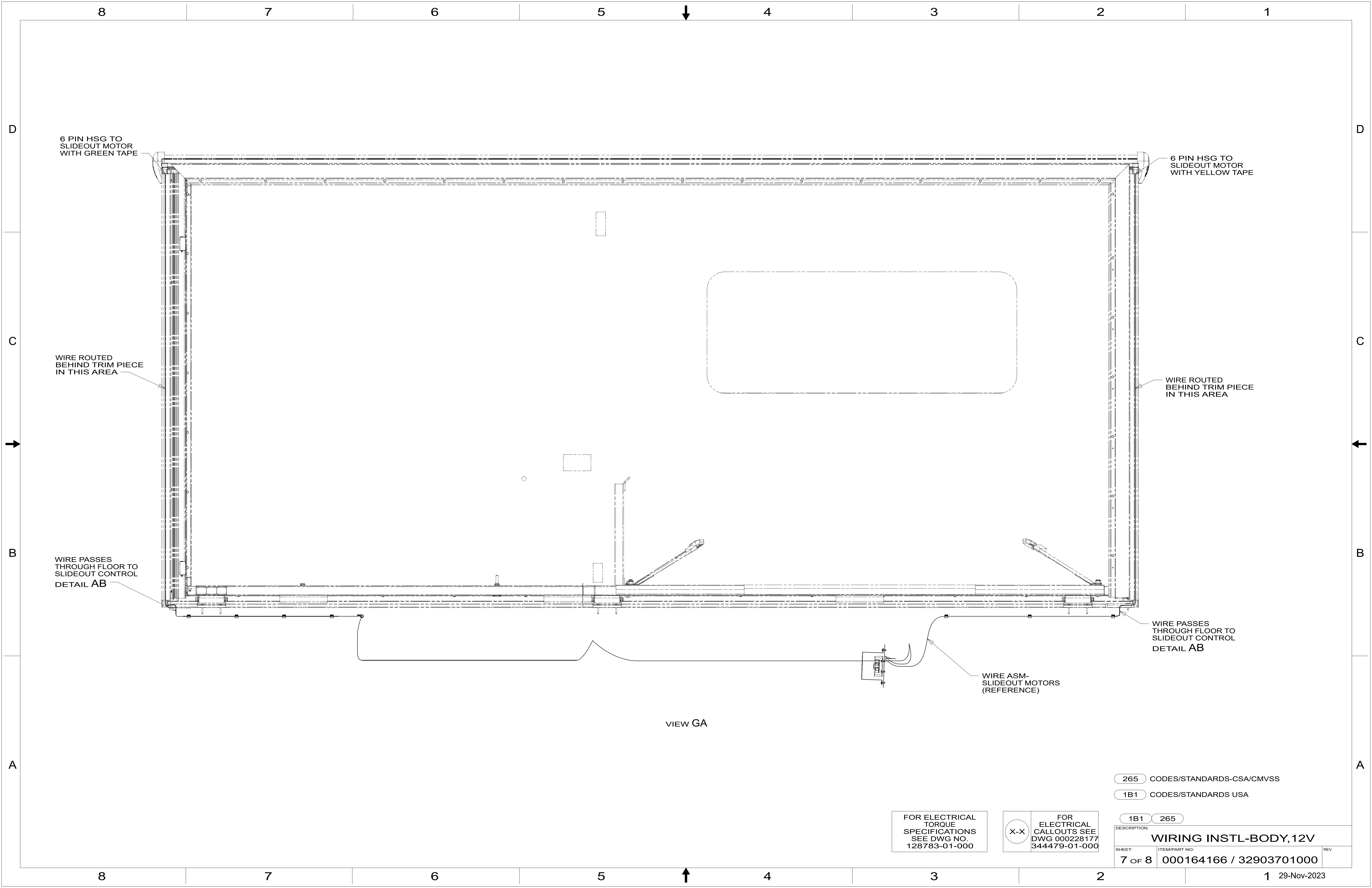
FOR ELECTRICAL TORQUE SPECIFICATIONS SEE DWG NO. 128783-01-000

FOR ELECTRICAL CALLOUTS SEE DWG 000228177 344479-01-000

265 CODES/STANDARDS-CSA/CMVSS
1B1 CODES/STANDARDS USA

DESCRIPTION: WIRING INSTL-BODY, 12V	
SHEET: 6 OF 8	ITEM/PART NO.: 000164166 / 32903701000
REV 1 29-Nov-2023	

8 7 6 5 4 3 2 1



8 7 6 5 4 3 2 1

TO CHASSIS SUPPLIED RADIO ANTENNA

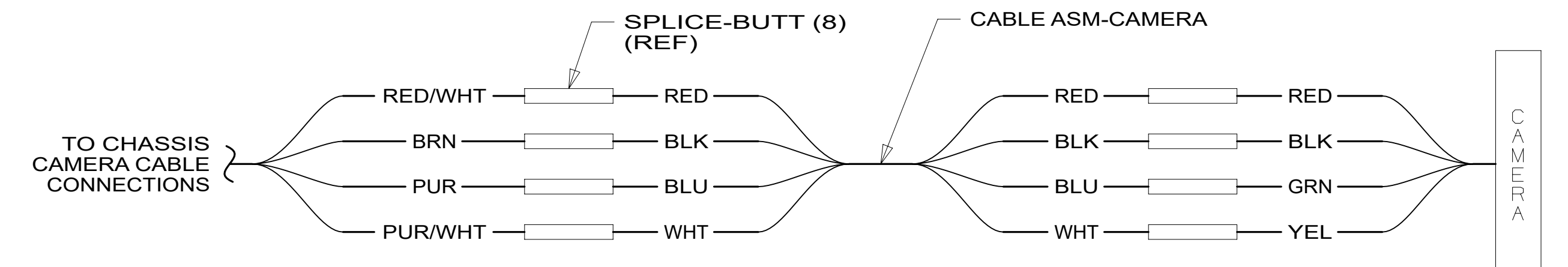
TO CHASSIS SUPPLIED SATELLITE RADIO ANTENNA

CONNECT TO CHASSIS SUPPLIED CABLES

CONNECT TO CHASSIS SUPPLIED CABLES

1BE CABLE-FAKRA C, SIGNAL BLUE 000182978 / 334056-01-000

CABLE-FAKRA A, JET BLACK 000182977 / 334055-01-000
CABLE-FAKRA C, SIGNAL BLUE 000182978 / 334056-01-000
CABLE-FAKRA D, CLARET VIOLET 000182979 / 334057-01-000
CABLE-FAKRA E, LEAF GREEN 000182980 / 334058-01-000



DETAIL HA

D

D

C

C

B

B

A

A

CAMERA-REAR 000209106 / 339716-01-000
SHROUD-CAMERA,REAR 000171916 / 331533-01-CHT
SCREW-PAN,HEAD 000G55-08-16U (3)
RETAINER-CAMERA,REAR 000171924 / 331534-01-CHT
SCREW-PAN,HEAD 000G39-08-06U (2)
TAPE-LOOP 029094-07-000
DETAIL HA

1 WIRE ASM-CAMERA CABLE (REFERENCE)

- 1BE CHASSIS DEVIATION B
- 265 CODES/STANDARDS-CSA/CMVSS
- 1B1 CODES/STANDARDS USA

1 SEE WIRING INSTL-CHASSIS FOR ADDITIONAL INFORMATION.
NOTES:

FOR ELECTRICAL TORQUE SPECIFICATIONS SEE DWG NO. 128783-01-000

FOR ELECTRICAL CALLOUTS SEE DWG 000228177 344479-01-000

DESCRIPTION:	1B1 265	
WIRING INSTL-BODY,12V		
SHEET:	ITEM/PART NO.:	REV:
8 OF 8	000164166 / 32903701000	

8 7 6 5 4 3 2 1 29-Nov-2023