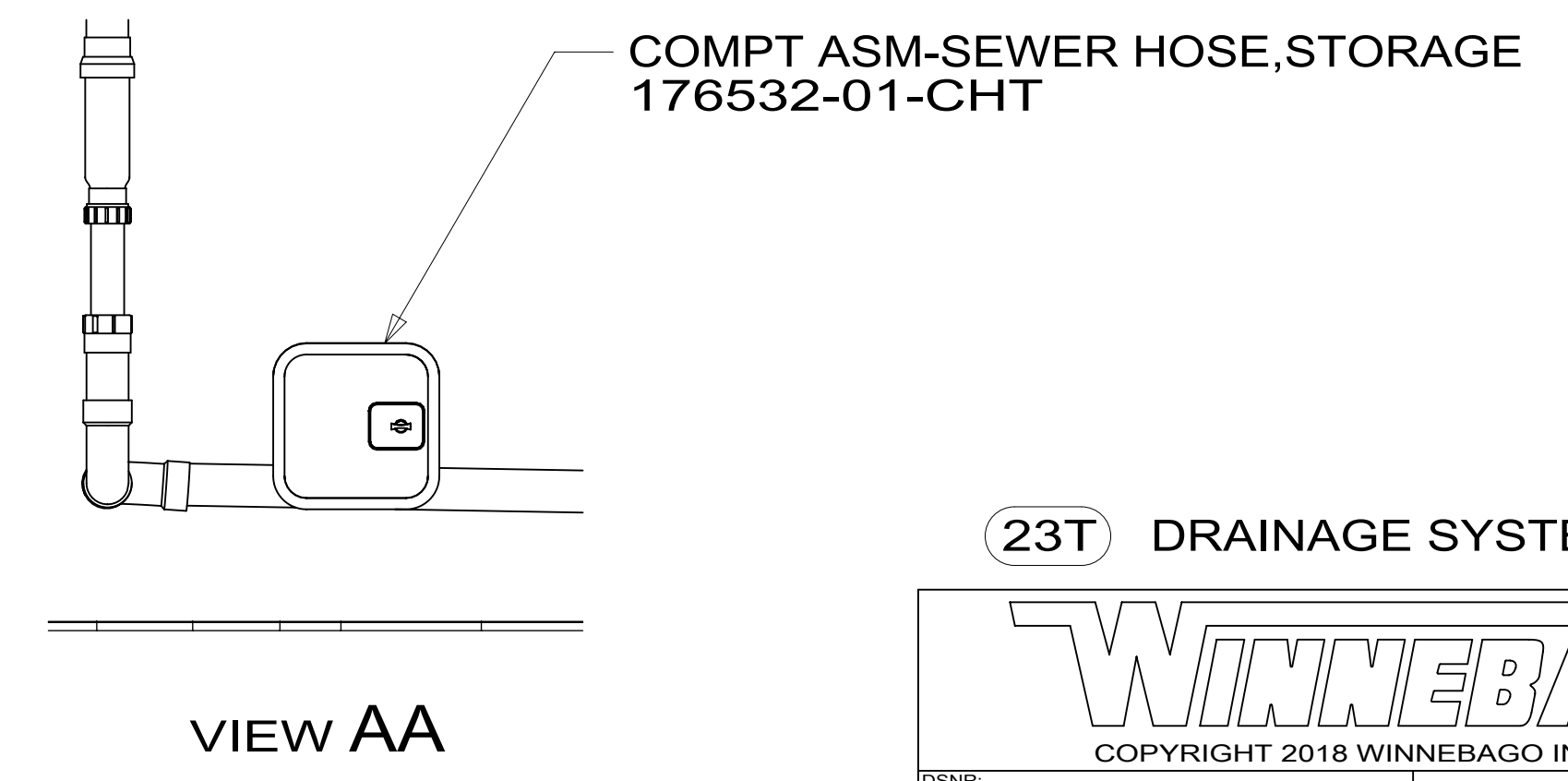


12. APPLY SEALANT TO THE BOTTOM OF SHOWER PAN IN A ZIG-ZAG PATTERN
11. ATTACH SEAL TO BRACE WHERE IT CONTACTS HEATER PAD.
10. PREP THE SURFACE PER MANUFACTURERS INSTRUCTIONS BEFORE APPLYING THE HEATING PAD.
9. SEE WIRING INSTL-BODY FOR ELECTRICAL CONNECTIONS.
8. NIPPLE TO BE TRIMMED TO LENGTH ON INSTALL.
7. SECURE VENT PIPE WITH CLAMP 000156237 / 326663-02-000.
6. VENT PIPE MUST PROJECT 51 MIN AND 64 MAX ABOVE ROOF FOR PROPER FIT AND FUNCTION.
5. SEAL AROUND SHOWER WITH SILICONE.
4. SECURE DRAINAGE PIPES TO CABINET USING WIRE TIE 108046-02-000, AND SCREW 000G67-10-12U AT INTERVALS OF NOT MORE THAN 4 FEET APART.
3. ALL PIPE AND FITTINGS TO BE ASSEMBLED WITH SOLVENT 004020-01-000 (USA), 004020-02-000 (CAN)
2. SLOPE OF TRAP ARM MUST BE 6 PER 305 mm.
1. SLOPE OF HORIZONTAL PIPING TO BE MINIMUM OF 3 PER 305 mm.

NOTES:

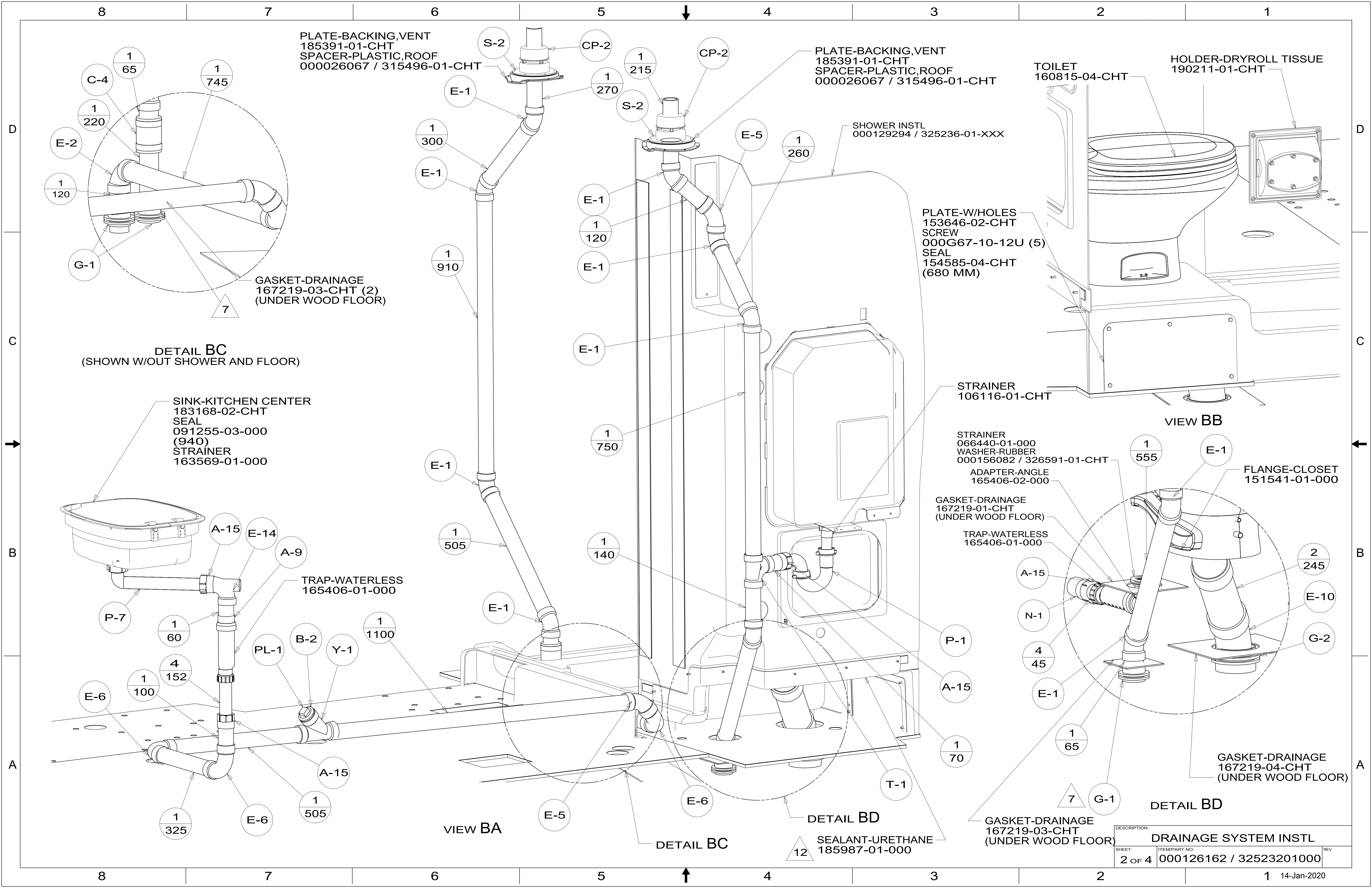


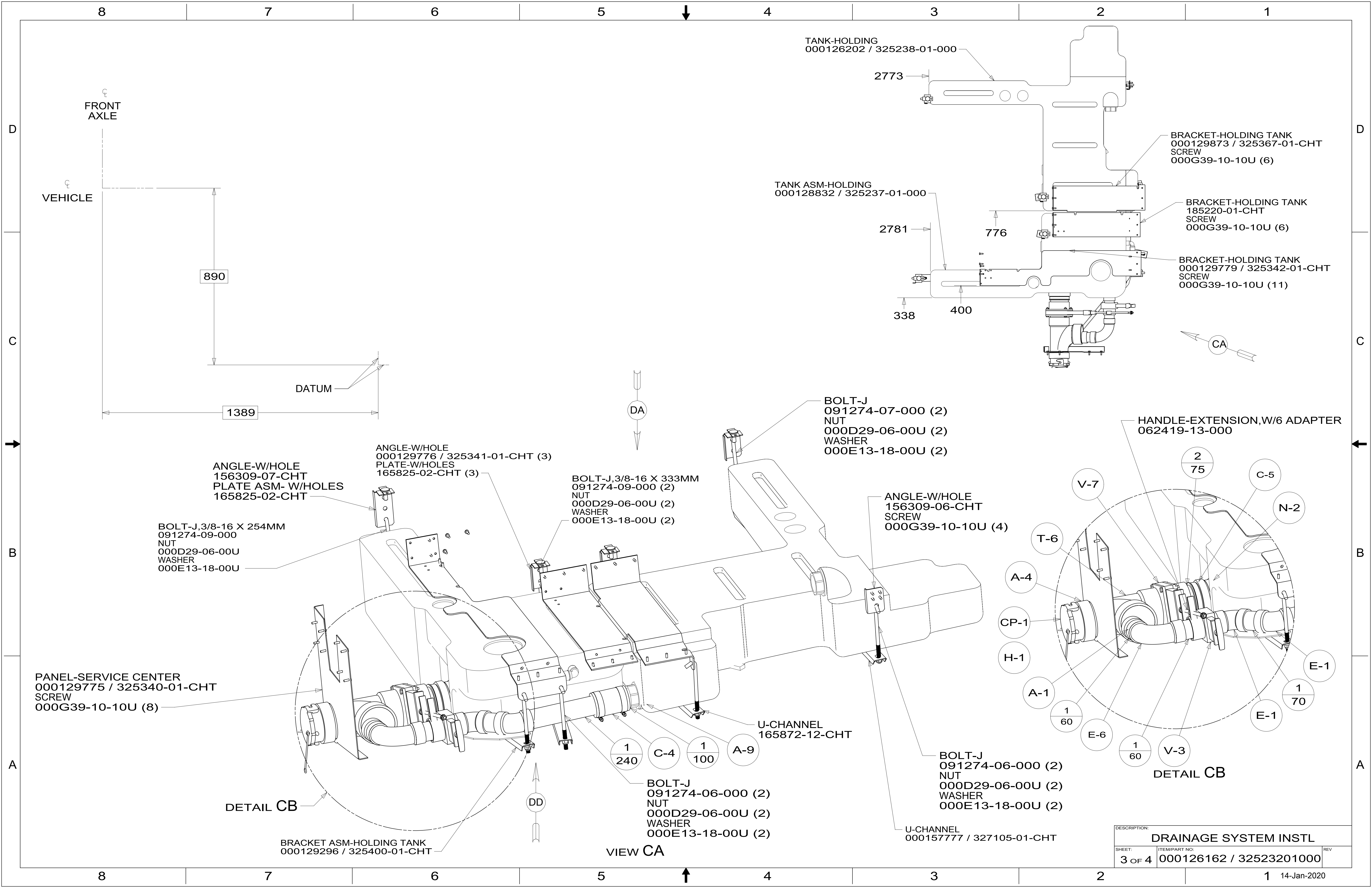
X-X
FOR
DRAINAGE
CALLOUTS
SEE DWG NO.
000211962 /
303370-01-000

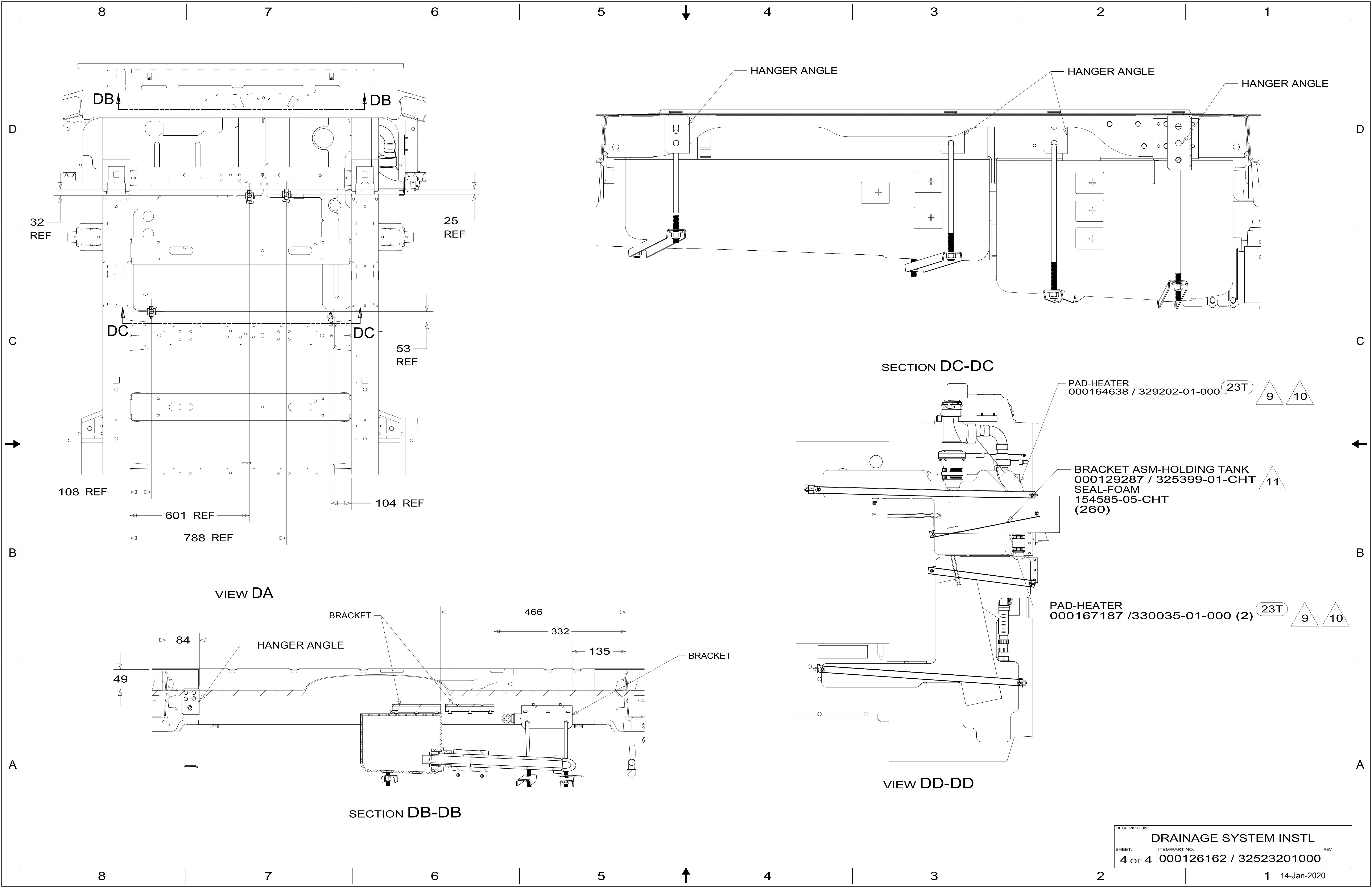
23T DRAINAGE SYSTEM-HEATED



DSNR:		ALL DIMENSIONS ARE IN MILLIMETERS	
DIFTR:			
UNSPECIFIED TOLERANCES:		MATERIAL:	
WHOLE DIM (X)	3		
ONE-PLACE (X.X)	1.5		
TWO-PLACE (X.XX)	0.50		
ANGLE	1°		
REFER TO ES0018 FOR FASTENER TIGHTENING GUIDELINES		WEIGHT: (LBS)	FIRST USED: (REF)
			19 259KL
DESCRIPTION:			
DRAINAGE SYSTEM INSTL			
SHEET:	ITEM/PART NO.:	REV	
1 OF 4	000126162 / 32523201000		
REF:		1 14-Jan-2020	







8 7 6 5 4 3 2 1

DB DB

HANGER ANGLE HANGER ANGLE HANGER ANGLE

32 REF 25 REF

DC DC

53 REF

108 REF 601 REF 788 REF 104 REF

SECTION DC-DC

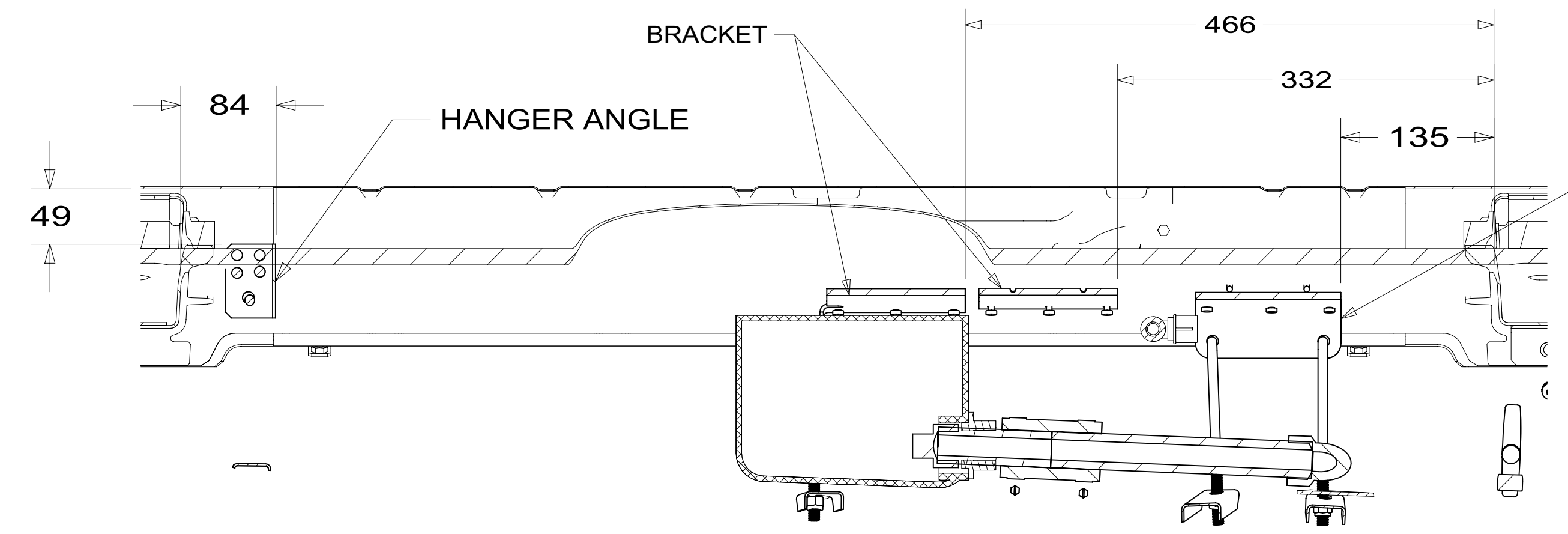
PAD-HEATER 000164638 / 329202-01-000 (23T) 9 10

BRACKET ASM-HOLDING TANK 000129287 / 325399-01-CHT SEAL-FOAM 154585-05-CHT (260) 11

PAD-HEATER 000167187 / 330035-01-000 (2) (23T) 9 10

VIEW DA

BRACKET HANGER ANGLE BRACKET



VIEW DD-DD

SECTION DB-DB

8 7 6 5 4 3 2 1

DESCRIPTION:		
DRAINAGE SYSTEM INSTL		
SHEET:	ITEM/PART NO.:	REV
4 OF 4	000126162 / 32523201000	

1 14-Jan-2020