

SCHWINTEK SLIDEOUT MOTOR HARNESS TAPE COLOR (INCORPORATED WITH 12V HARNESS)

SLIDEOUT POSITION	MOTOR 1 (LEFT)	MOTOR 2 (RIGHT)
FRONT LEFT	GREEN	YELLOW
REAR LEFT	PURPLE	BLUE
FRONT RIGHT	ORANGE	RED
REAR RIGHT	LT YELLOW	BROWN

NOTES:

- ALL WIRE DESIGNATIONS AND COLORS ARE FOR TRACEABILITY PURPOSES ONLY AND MAY VARY.
- TYPICAL CONFIGURATION. ACTUAL WIRING MAY VARY DUE TO CHASSIS CONFIGURATION.
- WHEN LOOKING AT THE SLIDEOUT ROOM FROM INSIDE THE COACH MOTOR 1 IS THE LEFT MOTOR AND MOTOR 2 IS THE RIGHT MOTOR.

LIPPERT/SCHWINTEK UNITS WITH SEPARATE KEY LOCKOUT SWITCH (USUALLY IN ONEPLACE)

WINNEBAGO COPYRIGHT 2014 WINNEBAGO INDUSTRIES, INC.

ALL DIMENSIONS ARE IN MILLIMETERS

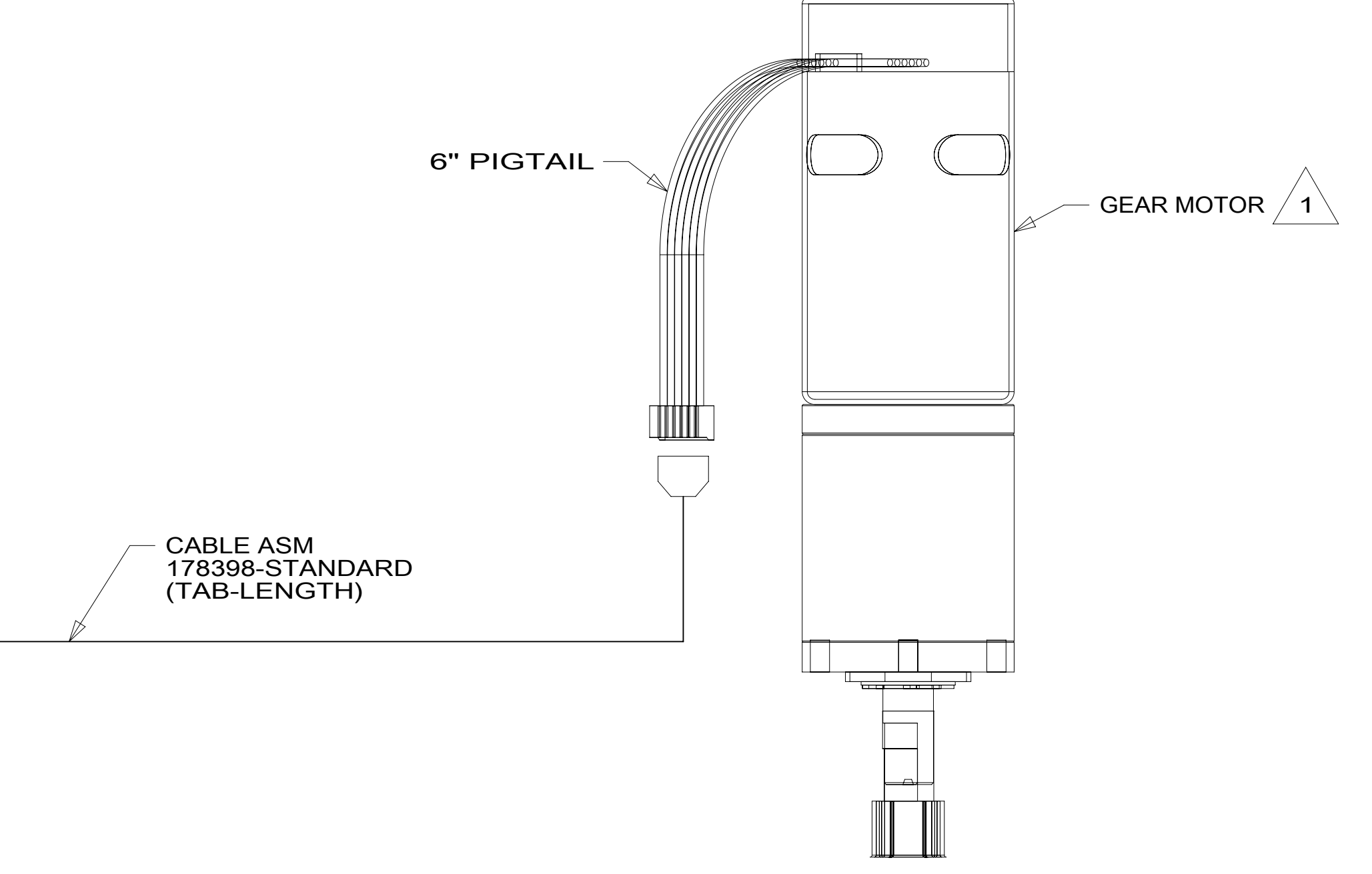
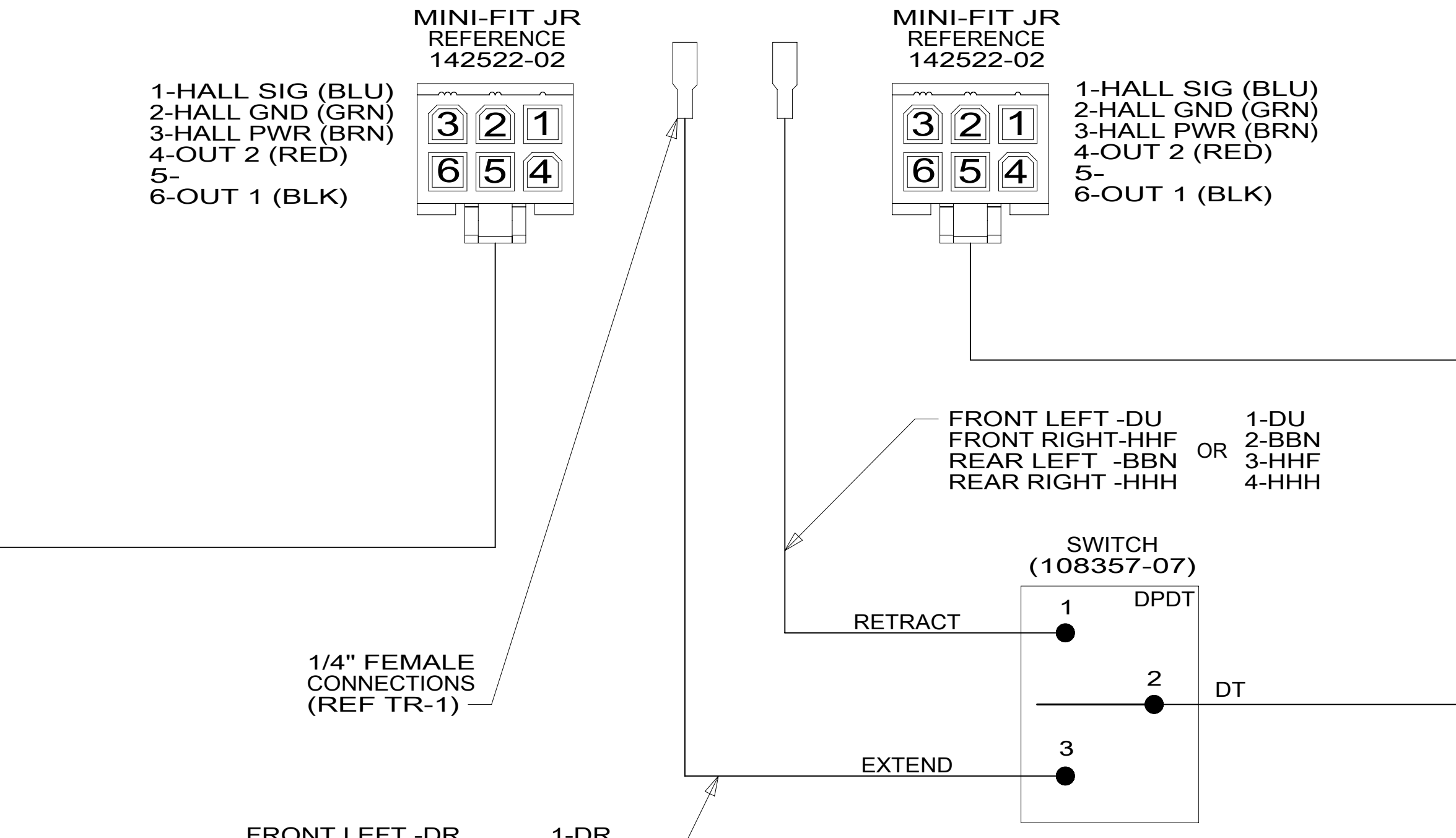
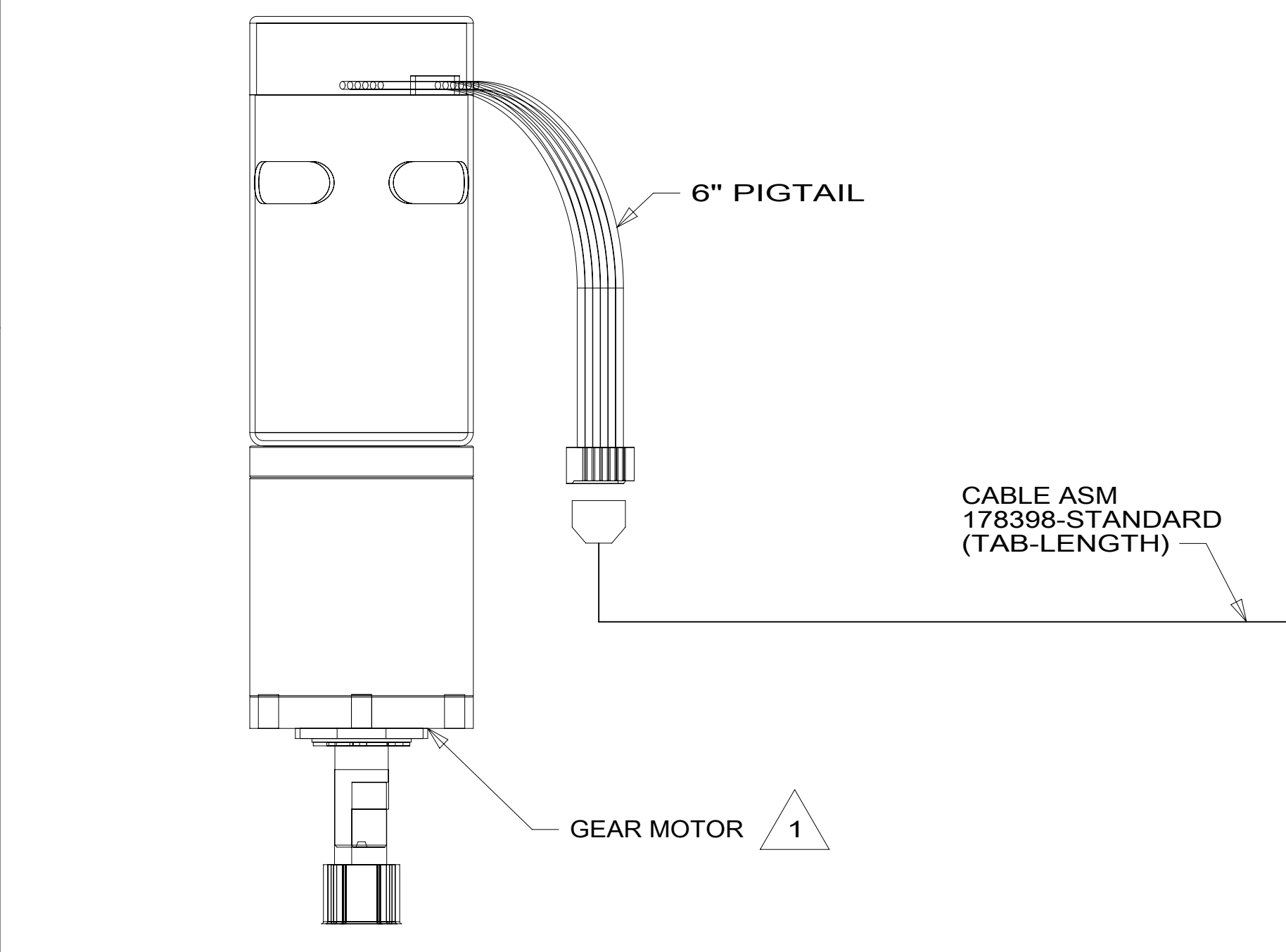
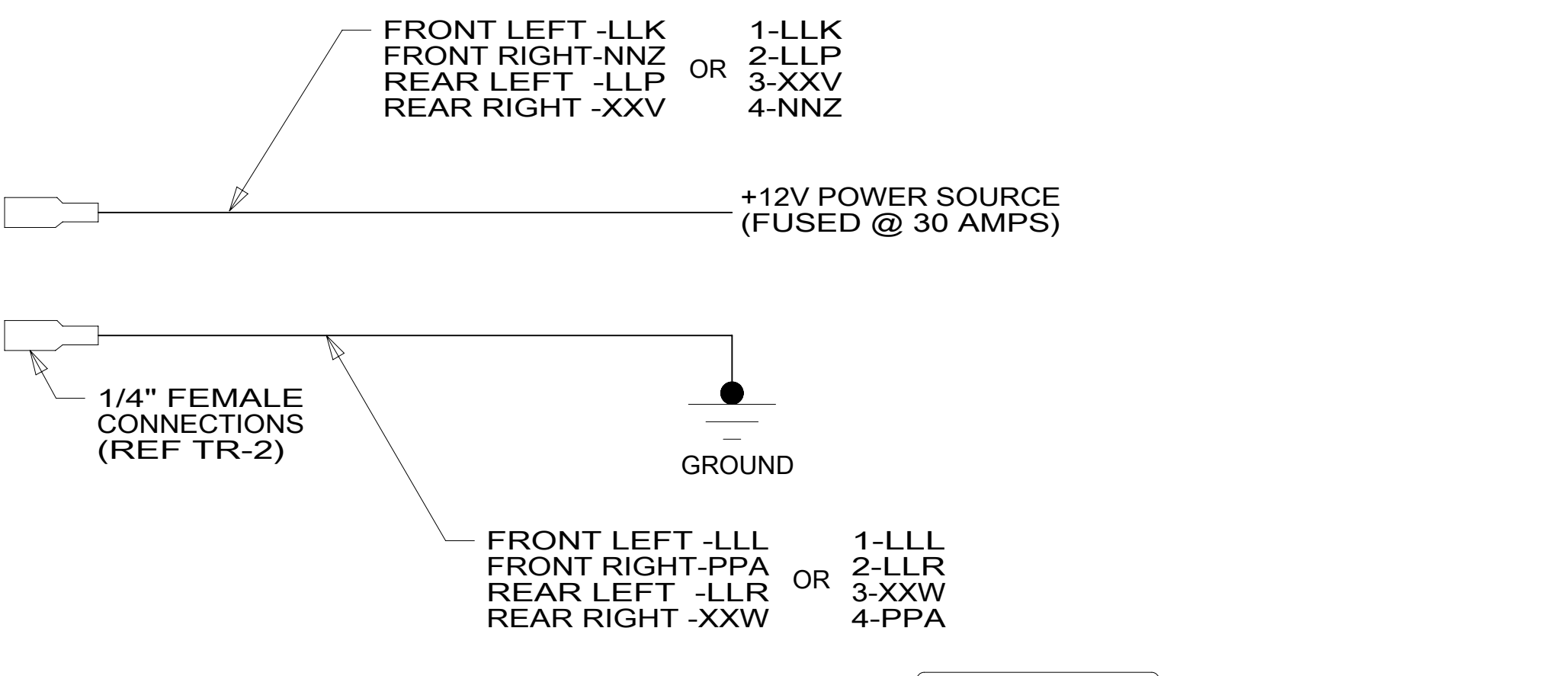
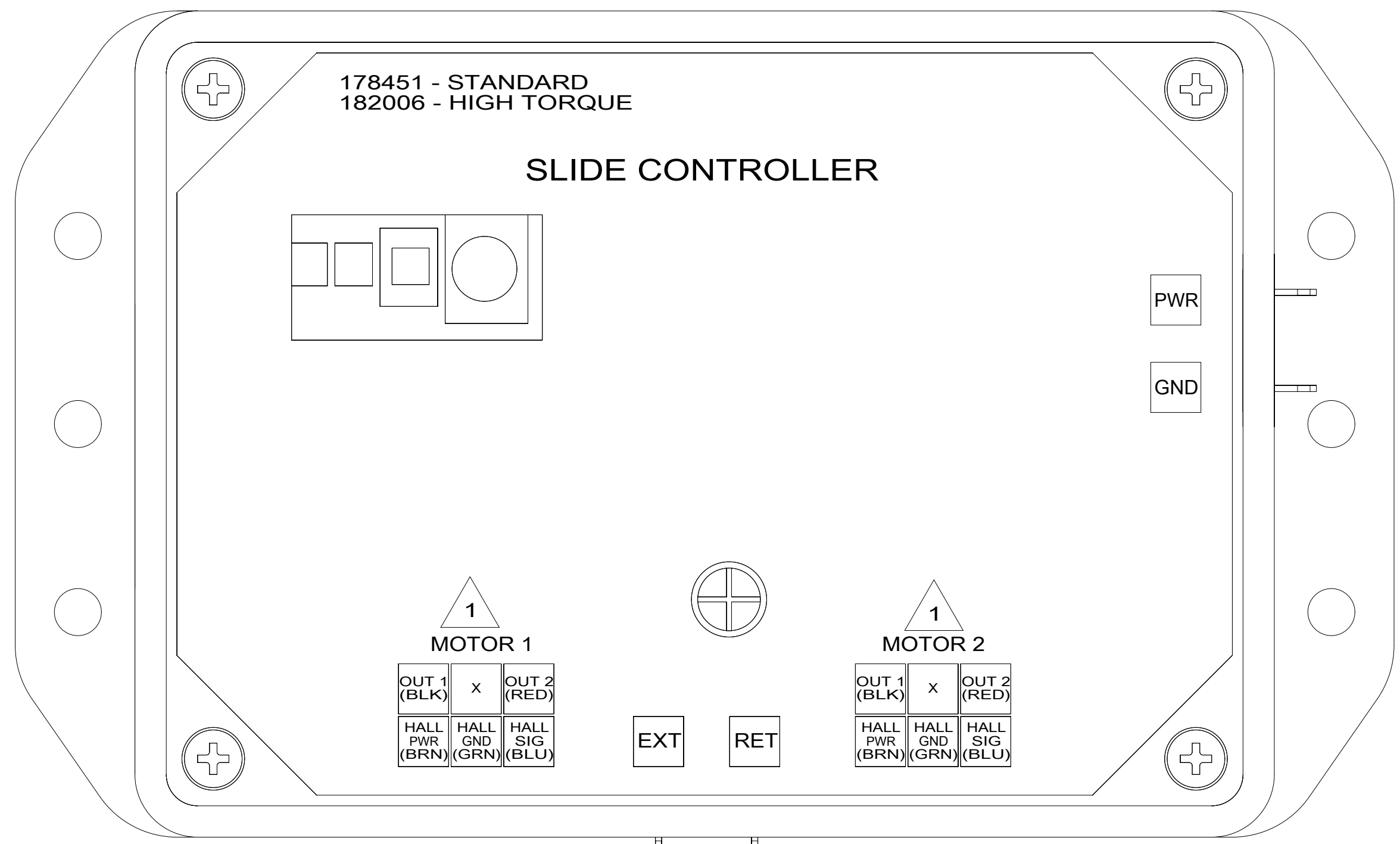
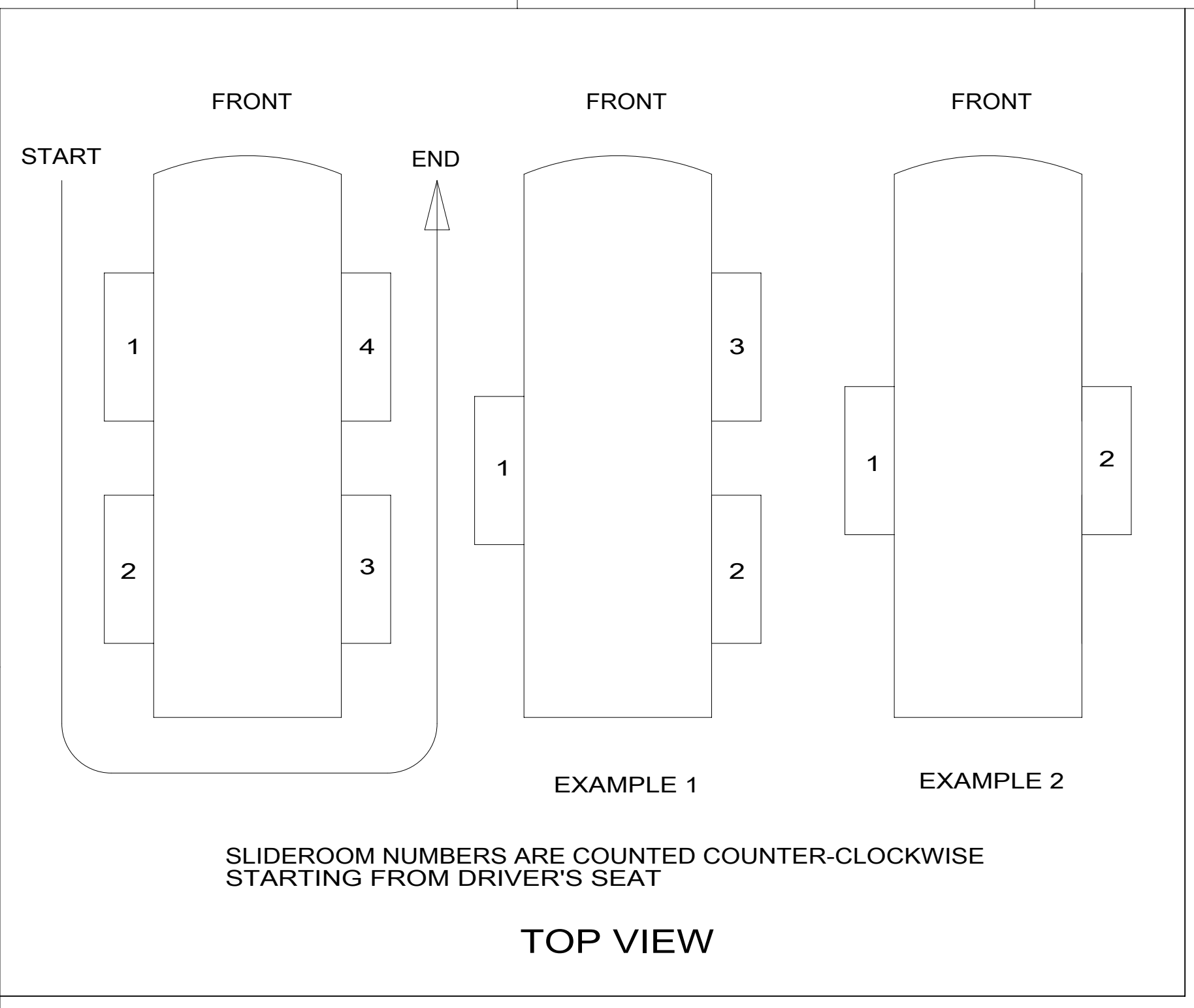
UNSPECIFIED TOLERANCES ARE:
 WHOLE DIM (X) : 3
 ONE-PLACE (X.X) : 1.5
 TWO-PLACE (X.XX) : 0.50
 ANGLE : 1'

DO NOT SCALE DRAWING REFER TO ES0018 FOR FASTENER TIGHTENING GUIDELINES

TITLE: SYSTEM DIAGRAM-SLIDEROOMS

SHEET 1 OF 3 PART NO 183594 REV 1 08-Jul-2015

*183594 *A

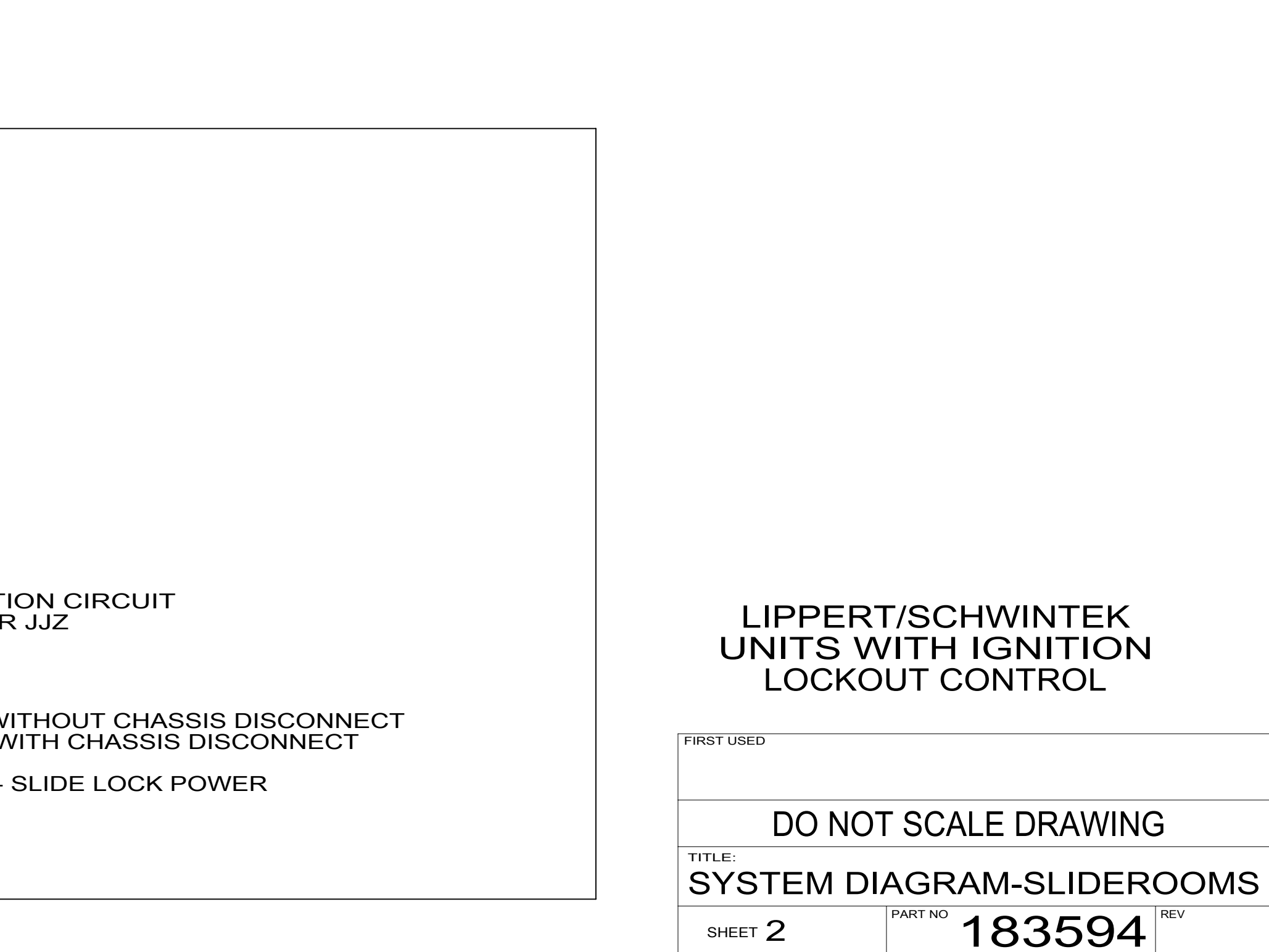
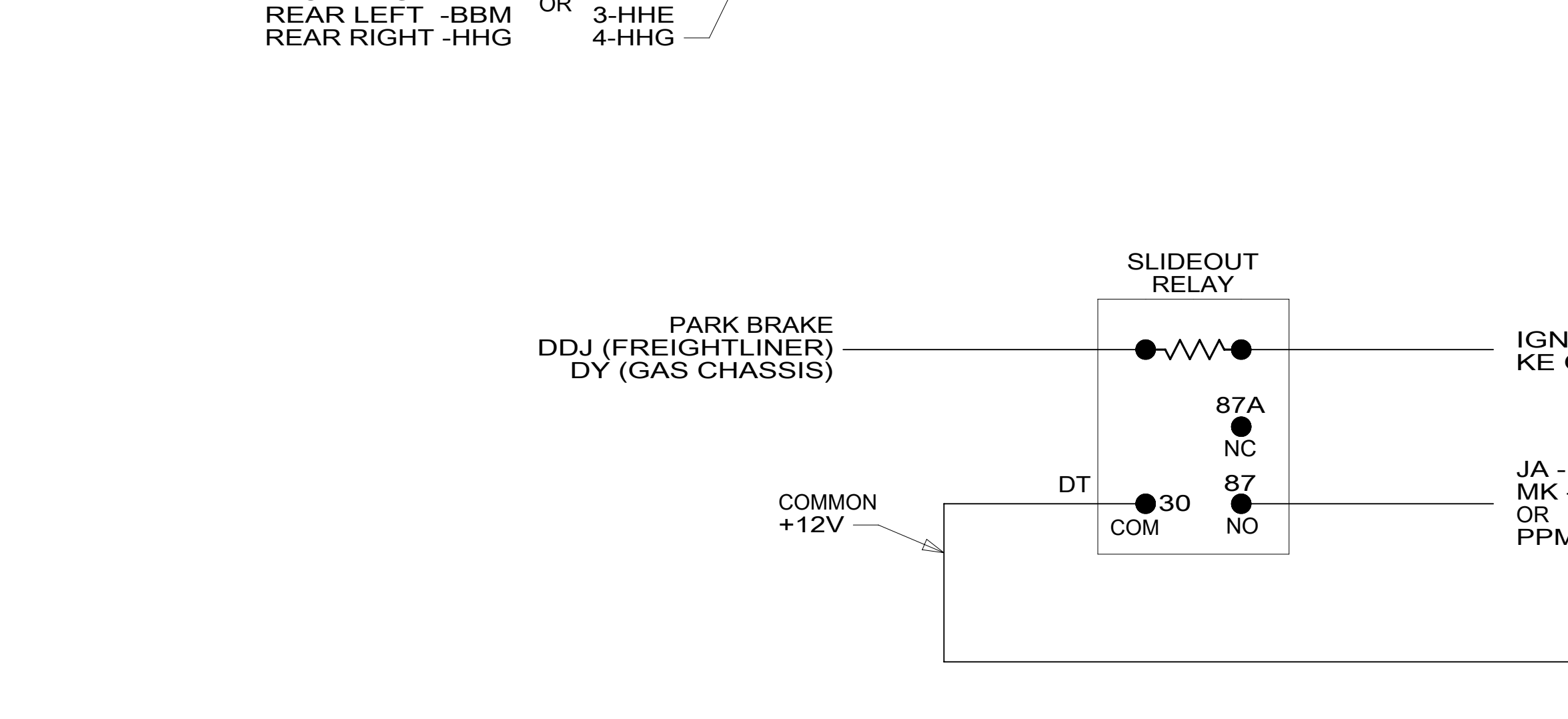


SCHWINTEK SLIDEOUT MOTOR HARNESS TAPE COLOR (INCORPORATED WITH 12V HARNESS)

SLIDEOUT POSITION	MOTOR 1 (LEFT)	MOTOR 2 (RIGHT)
FRONT LEFT	GREEN	YELLOW
REAR LEFT	PURPLE	BLUE
FRONT RIGHT	ORANGE	RED
REAR RIGHT	LT YELLOW	BROWN

NOTES:

- ALL WIRE DESIGNATIONS AND COLORS ARE FOR TRACEABILITY PURPOSES ONLY AND MAY VARY.
- TYPICAL CONFIGURATION. ACTUAL WIRING MAY VARY DUE TO CHASSIS CONFIGURATION.
- WHEN LOOKING AT THE SLIDEOUT ROOM FROM INSIDE THE COACH MOTOR 1 IS THE LEFT MOTOR AND MOTOR 2 IS THE RIGHT MOTOR.



LIPPERT/SCHWINTEK UNITS WITH IGNITION LOCKOUT CONTROL

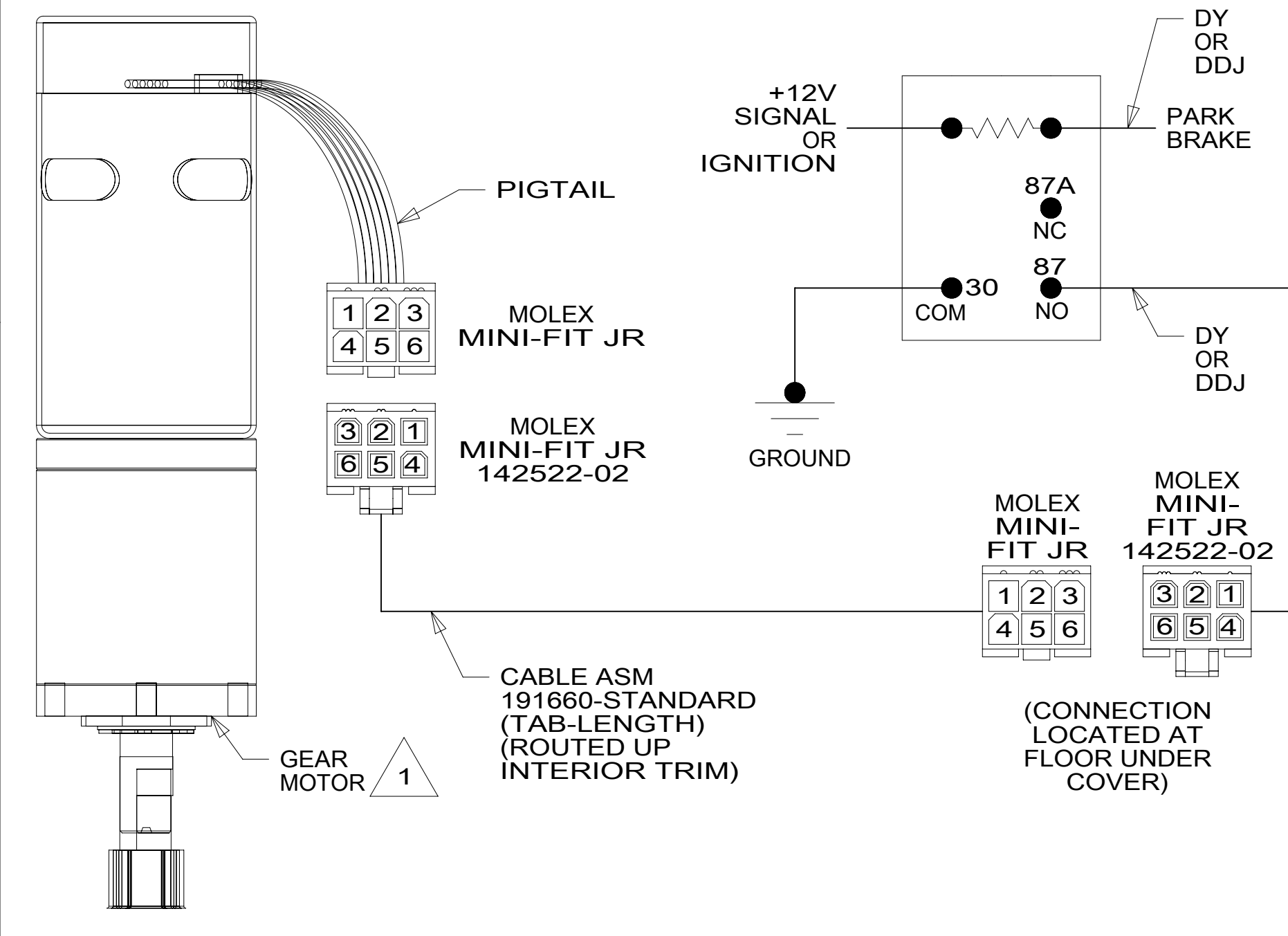
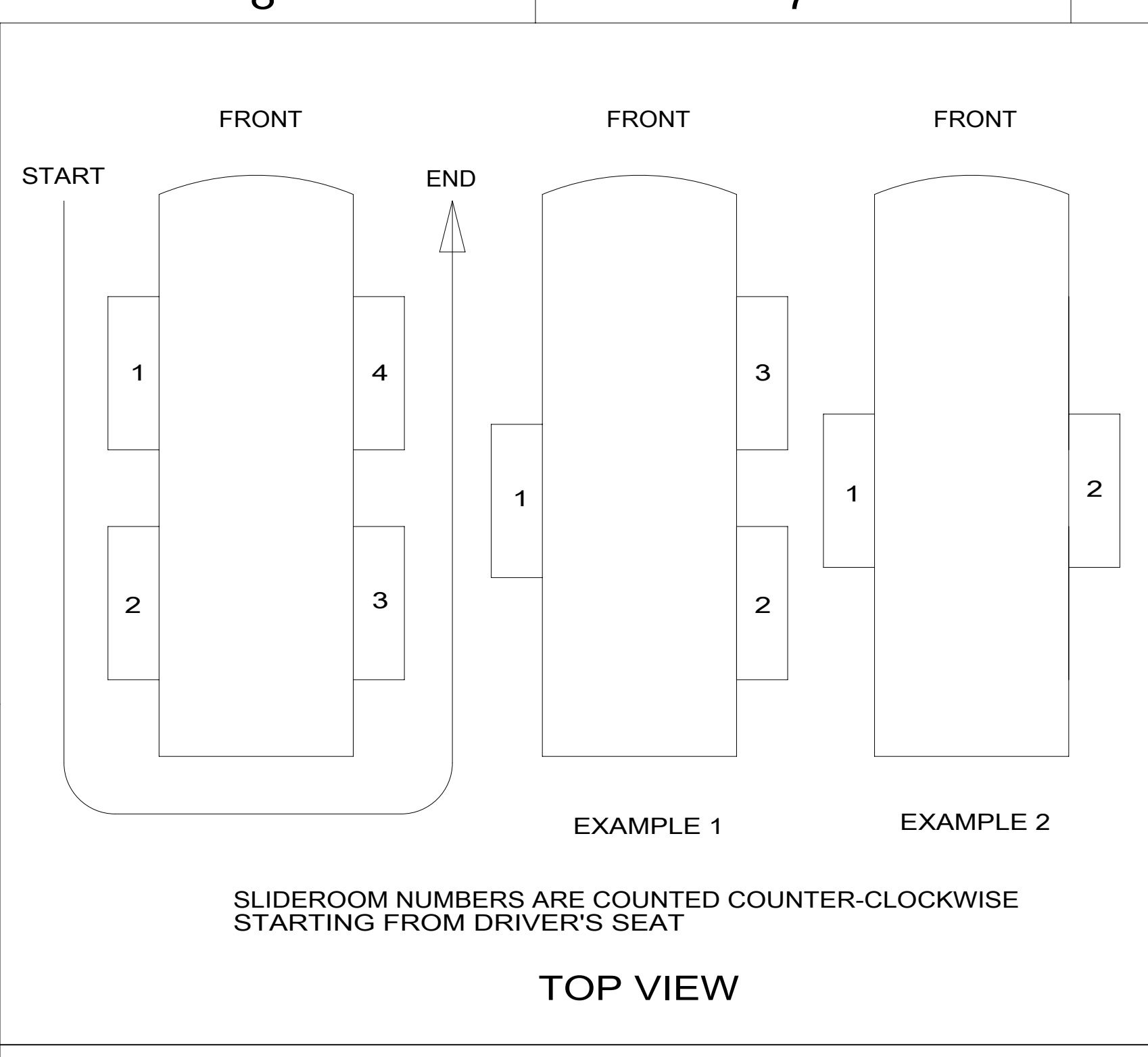
DO NOT SCALE DRAWING

TITLE: SYSTEM DIAGRAM-SLIDEROOMS

SHEET 2 PART NO 183594 REV

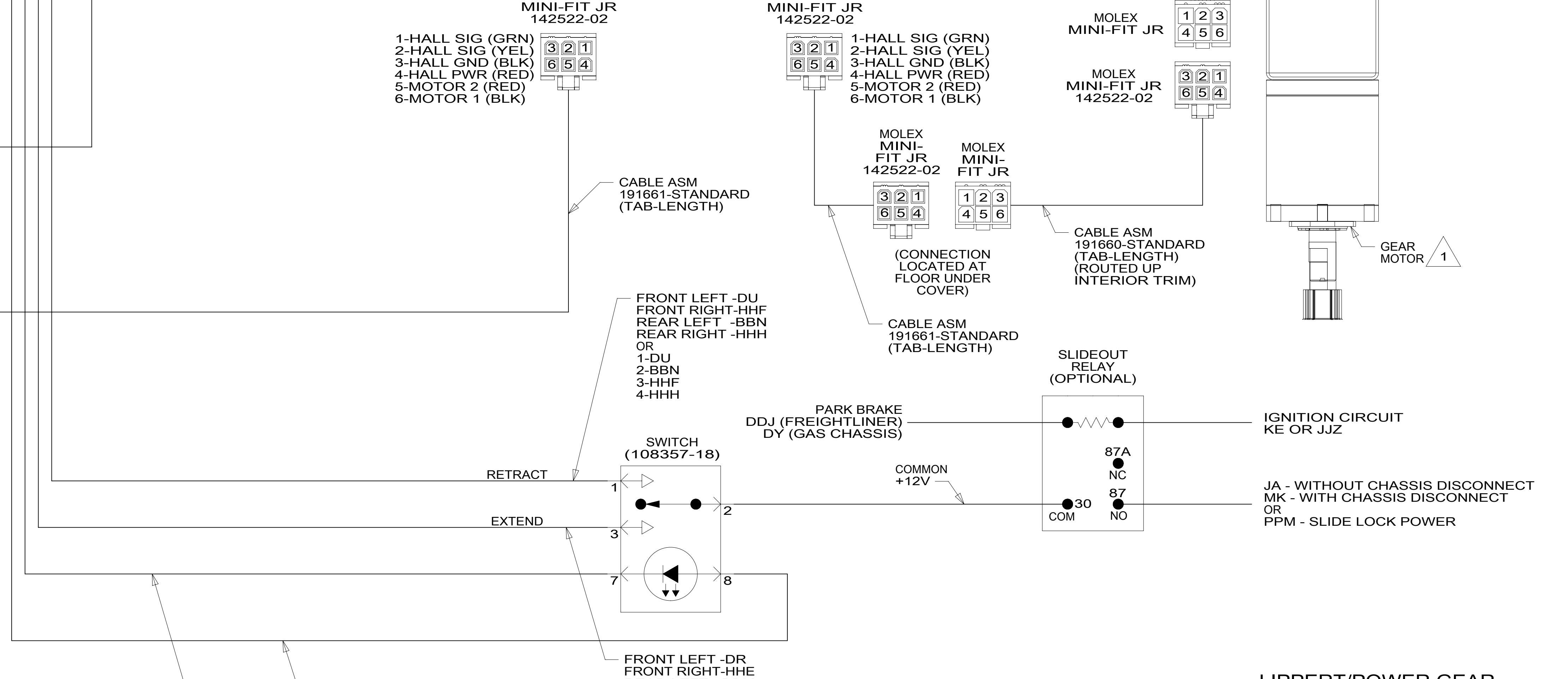
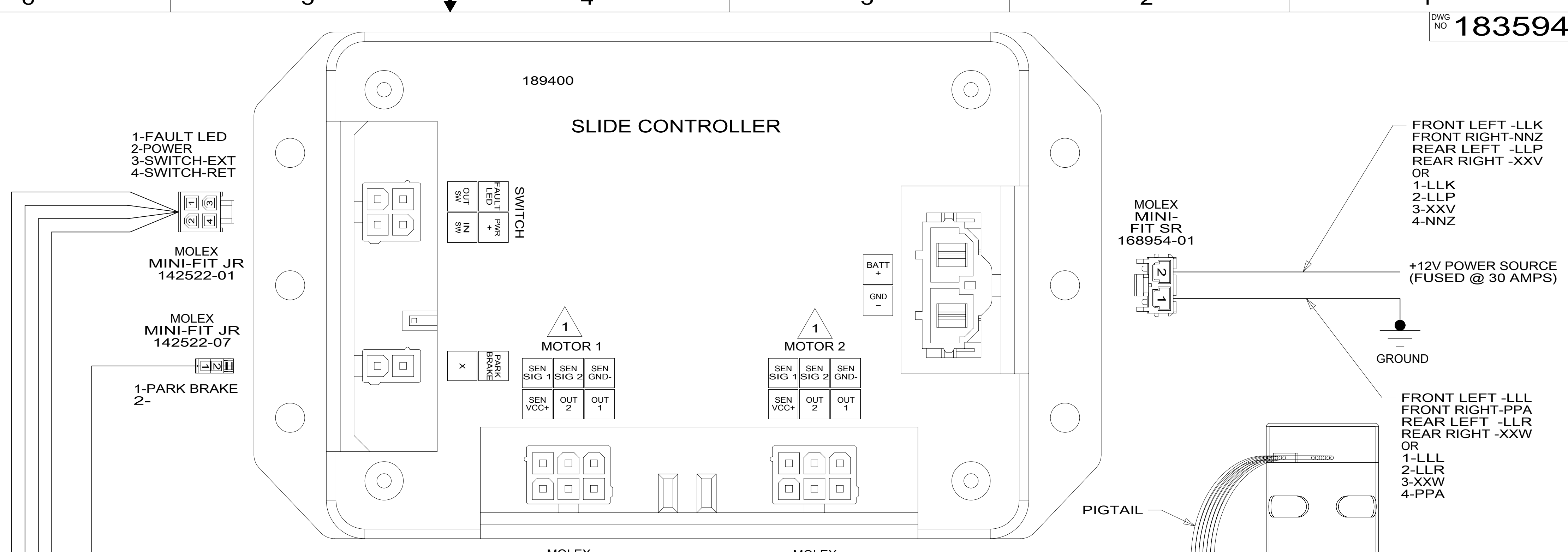
08-Jul-2015

183594



SLIDEOUT MOTOR HARNESS TAPE COLOR (INCORPORATED WITH 12V HARNESS)		
SLIDEOUT POSITION	MOTOR 1 (LEFT)	MOTOR 2 (RIGHT)
FRONT LEFT	GREEN	YELLOW
REAR LEFT	PURPLE	BLUE
FRONT RIGHT	ORANGE	RED
REAR RIGHT	LT YELLOW	BROWN

- NOTES:
- ALL WIRE DESIGNATIONS AND COLORS ARE FOR TRACEABILITY PURPOSES ONLY AND MAY VARY.
 - TYPICAL CONFIGURATION. ACTUAL WIRING MAY VARY DUE TO CHASSIS CONFIGURATION.
 - WHEN LOOKING AT THE SLIDEOUT ROOM FROM INSIDE THE COACH MOTOR 1 IS THE LEFT MOTOR AND MOTOR 2 IS THE RIGHT MOTOR.



LIPPERT/POWER GEAR UNITS WITH IGNITION LOCKOUT CONTROL

DO NOT SCALE DRAWING

TITLE: SYSTEM DIAGRAM-SLIDEROOMS

SHEET 3 PART NO 183594 REV 08-Jul-2015

183594