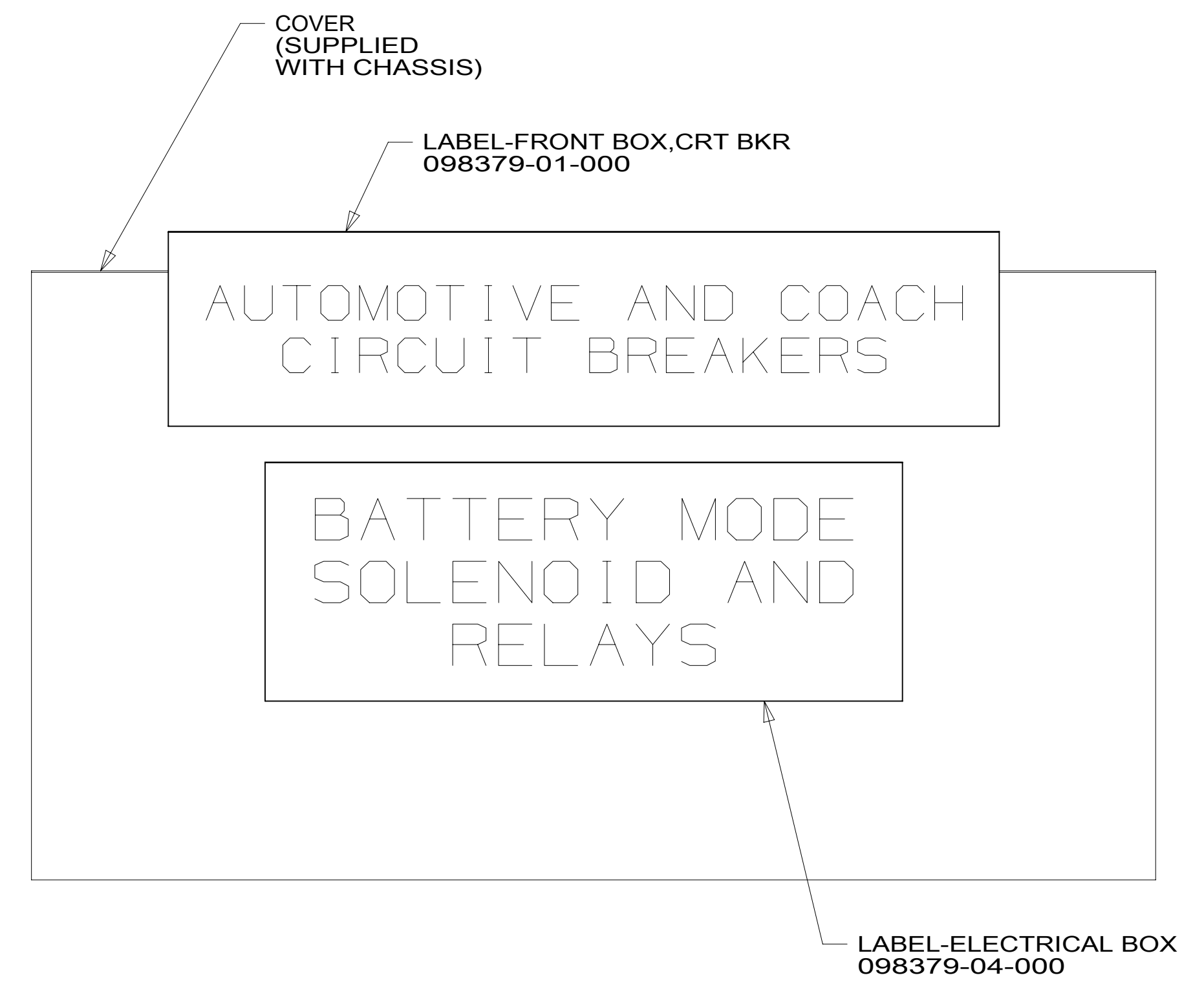
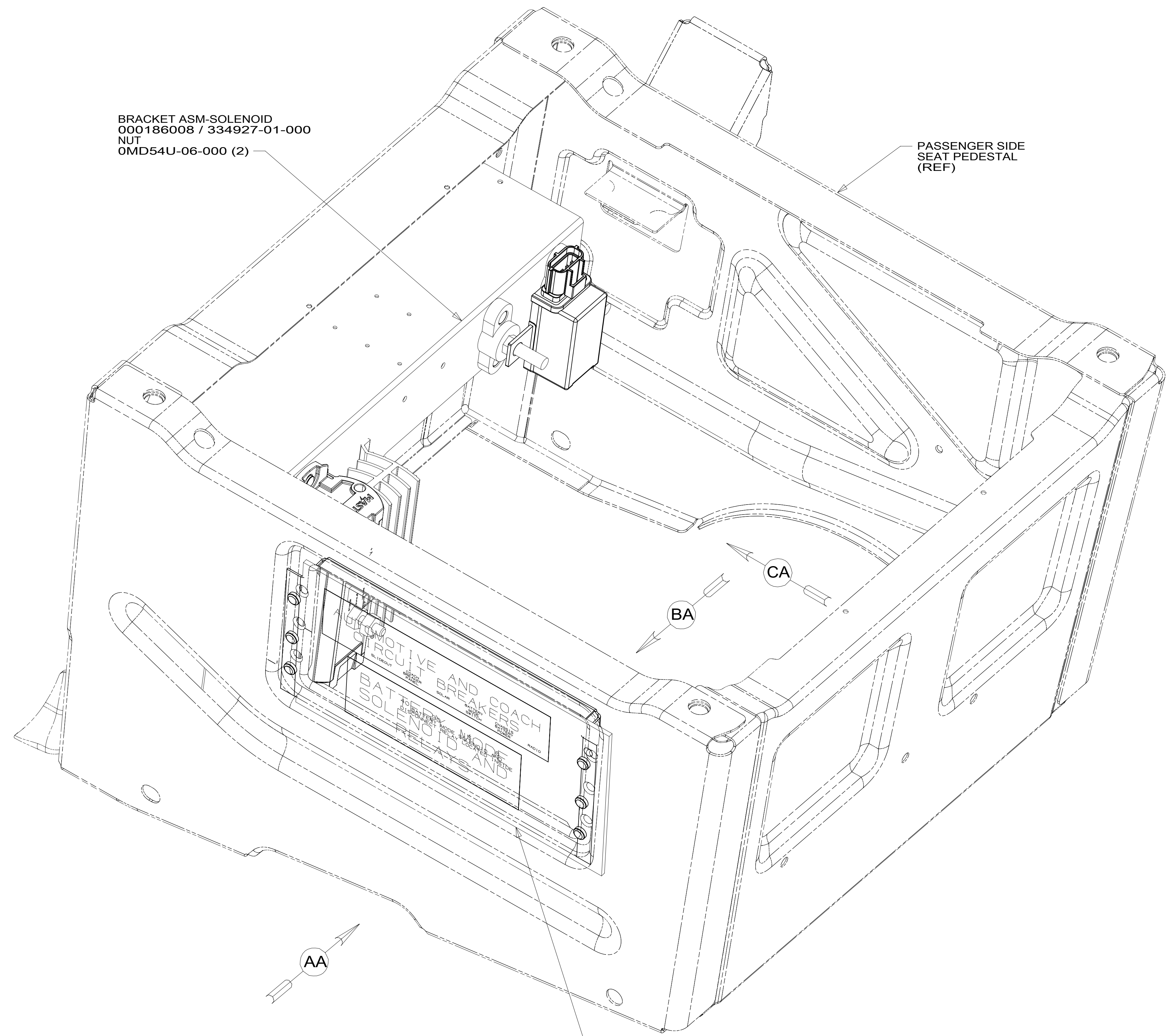


8 7 6 5 4 3 2 1

D
C
B
A

D
C
B
A



VIEW AA

- 265 CODES/STANDARDS-CSA/CMVSS
- 1B1 CODES/STANDARDS USA
- 1B1 265



DSNR:		ALL DIMENSIONS ARE IN MILLIMETERS	
DIFFR:		MATERIAL:	
UNSPECIFIED TOLERANCES:			
WHOLE DIM (X)	: 3		
ONE-PLACE (X.X)	: 1.5		
TWO-PLACE (X.XX)	: 0.50		
ANGLE	: 1°		
REFER TO ES0018 FOR FASTENER TIGHTENING GUIDELINES		WEIGHT: (LBS)	FIRST USED:
			19 B44E
DESCRIPTION:			
CHASSIS ELECTRICAL BOX ASM			
SHEET:	ITEM/PART NO.:	REV:	
1 OF 3	000186007 / 33492601000		
REF:		1 29-Mar-2019	

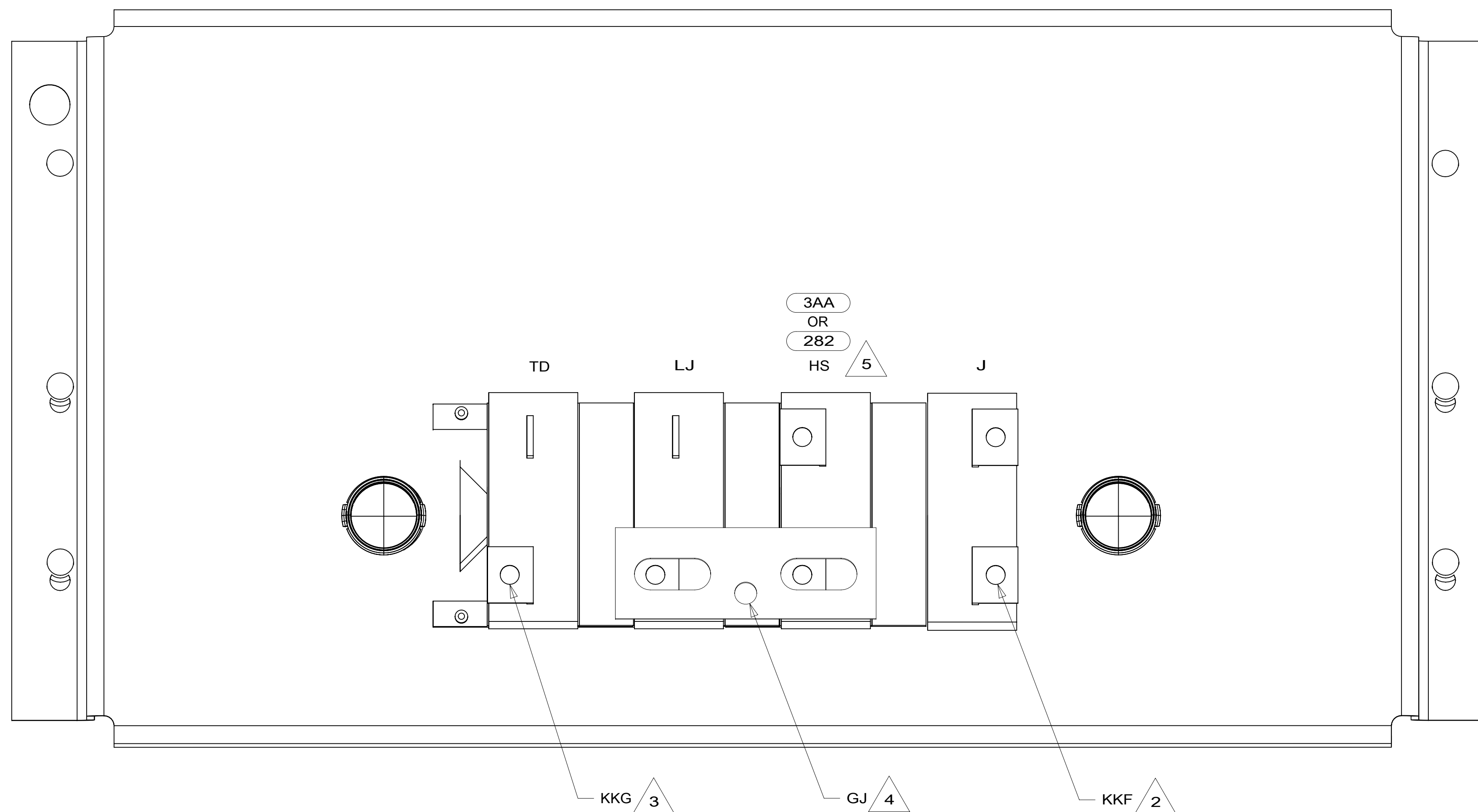
FOR ELECTRICAL TORQUE SPECIFICATIONS SEE DWG NO. 128783-01-000

FOR ELECTRICAL CALLOUTS SEE DWG NO. 121339-01-000

8 7 6 5 4 3 2 1

8 7 6 5 4 3 2 1

D
C
B
A



VIEW BA

- 5 MARKED WITH WHITE TAPE.
- 4 MARKED WITH RED TAPE.
- 3 MARKED WITH PURPLE TAPE.
- 2 MARKED WITH YELLOW TAPE.

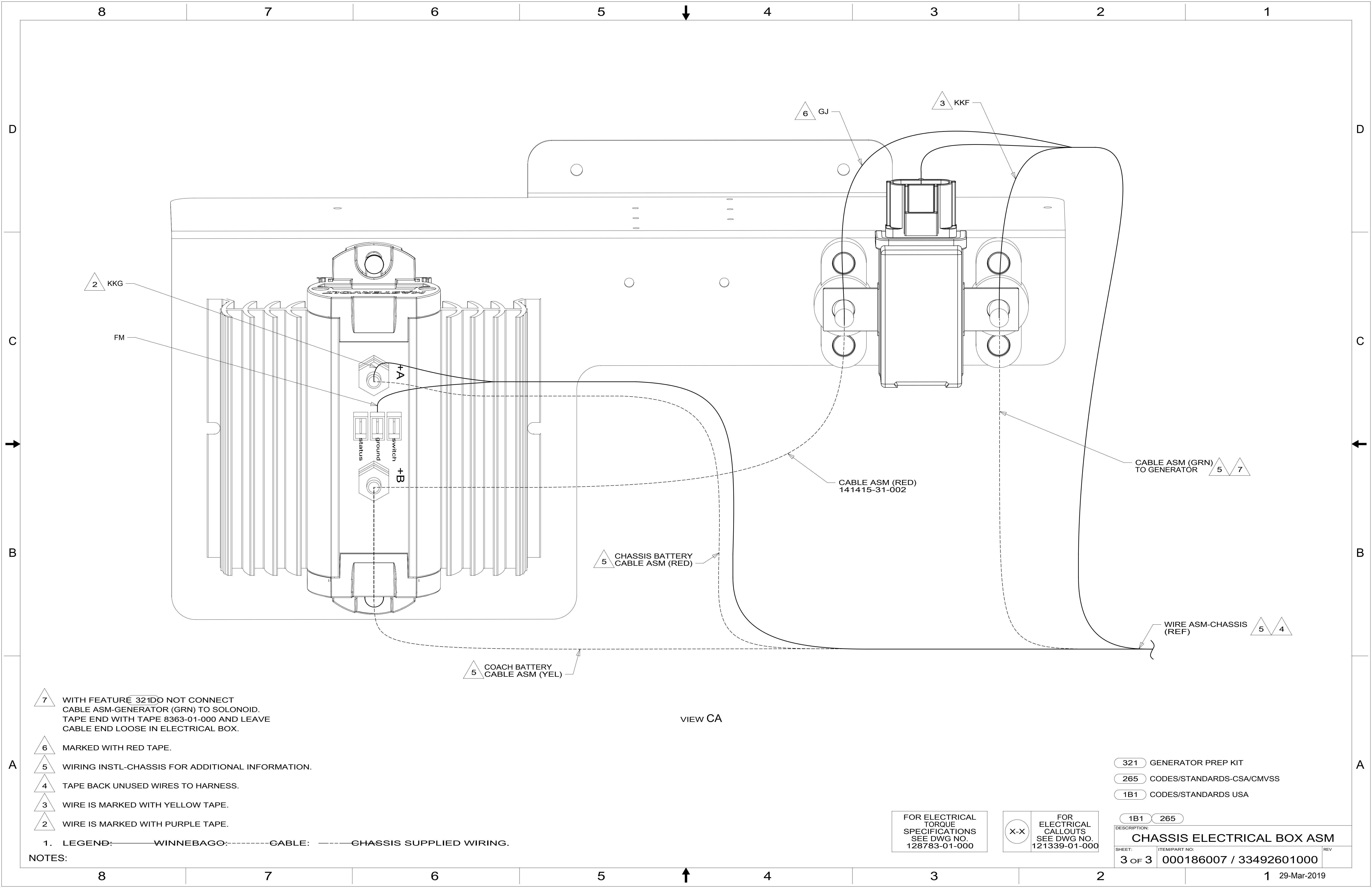
NOTES:
 1. TAPE BACK UNUSED WIRES TO HARNESS.

- 282 SOLAR PANEL - 100 WATT
- 3AA SOLAR PANEL/BATT CHARGER SYS
- 265 CODES/STANDARDS-CSA/CMVSS
- 1B1 CODES/STANDARDS USA

FOR ELECTRICAL TORQUE SPECIFICATIONS SEE DWG NO. 128783-01-000

FOR ELECTRICAL CALLOUTS SEE DWG NO. 121339-01-000

DESCRIPTION:	
1B1	265
CHASSIS ELECTRICAL BOX ASM	
SHEET:	ITEM/PART NO. REV
2 OF 3	000186007 / 33492601000



7 WITH FEATURE 321 DO NOT CONNECT CABLE ASM-GENERATOR (GRN) TO SOLONOID. TAPE END WITH TAPE 8363-01-000 AND LEAVE CABLE END LOOSE IN ELECTRICAL BOX.

6 MARKED WITH RED TAPE.

5 WIRING INSTL-CHASSIS FOR ADDITIONAL INFORMATION.

4 TAPE BACK UNUSED WIRES TO HARNESS.

3 WIRE IS MARKED WITH YELLOW TAPE.

2 WIRE IS MARKED WITH PURPLE TAPE.

1. LEGEND: — WINNEBAGO: - - - - CABLE: - - - - CHASSIS SUPPLIED WIRING.

NOTES:

VIEW CA

FOR ELECTRICAL TORQUE SPECIFICATIONS SEE DWG NO. 128783-01-000

FOR ELECTRICAL CALLOUTS SEE DWG NO. 121339-01-000

- 321 GENERATOR PREP KIT
- 265 CODES/STANDARDS-CSA/CMVSS
- 1B1 CODES/STANDARDS USA

DESCRIPTION:		1B1 265
CHASSIS ELECTRICAL BOX ASM		
SHEET:	ITEM/PART NO.:	REV
3 OF 3	000186007 / 33492601000	