

2 WITH SATELLITE DISH SEE SATELLITE DISH VIEW SHT 2 BOTTOM LEFT.

1 COLOR INDICATES IDENTIFICATION TAPE.

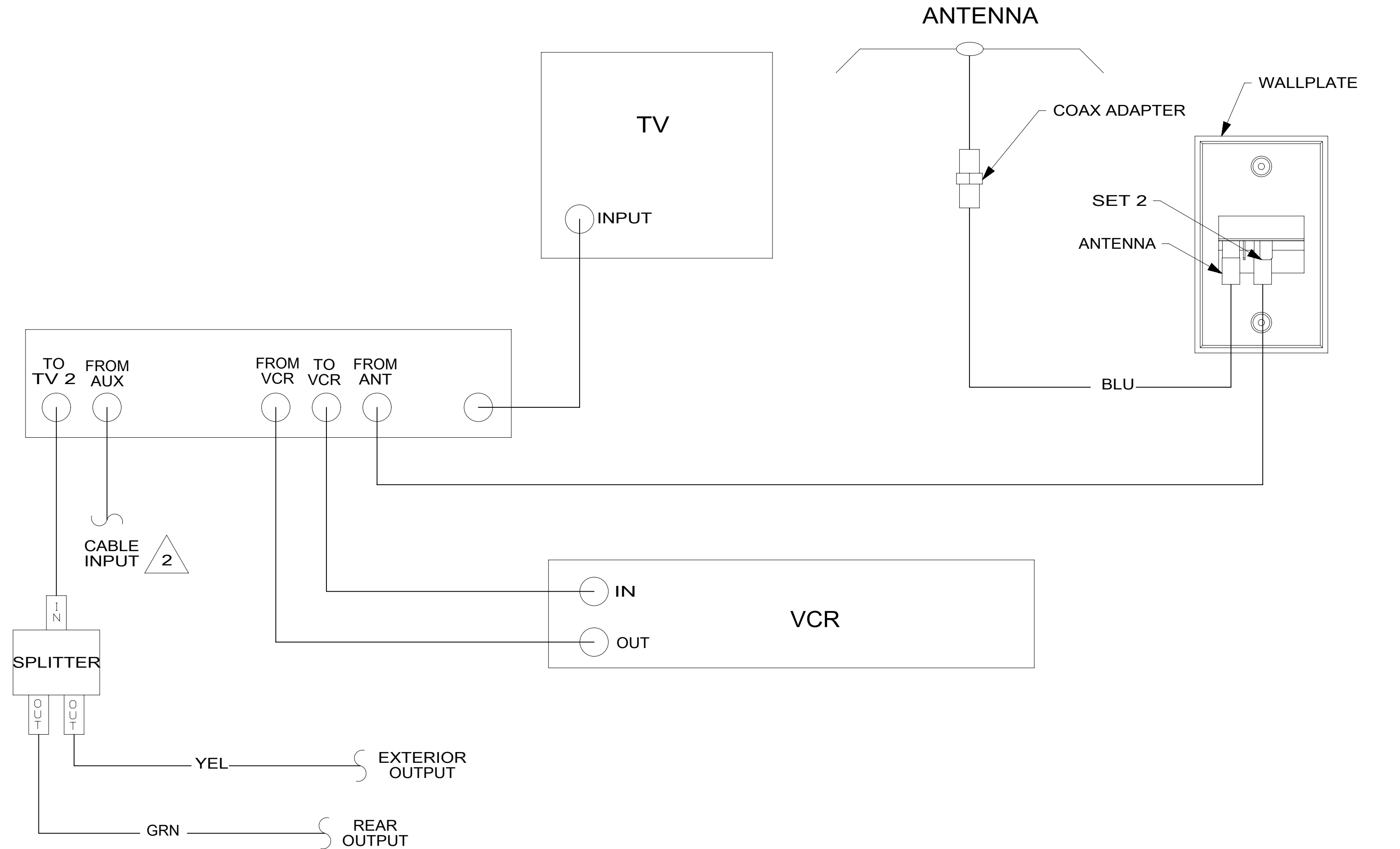
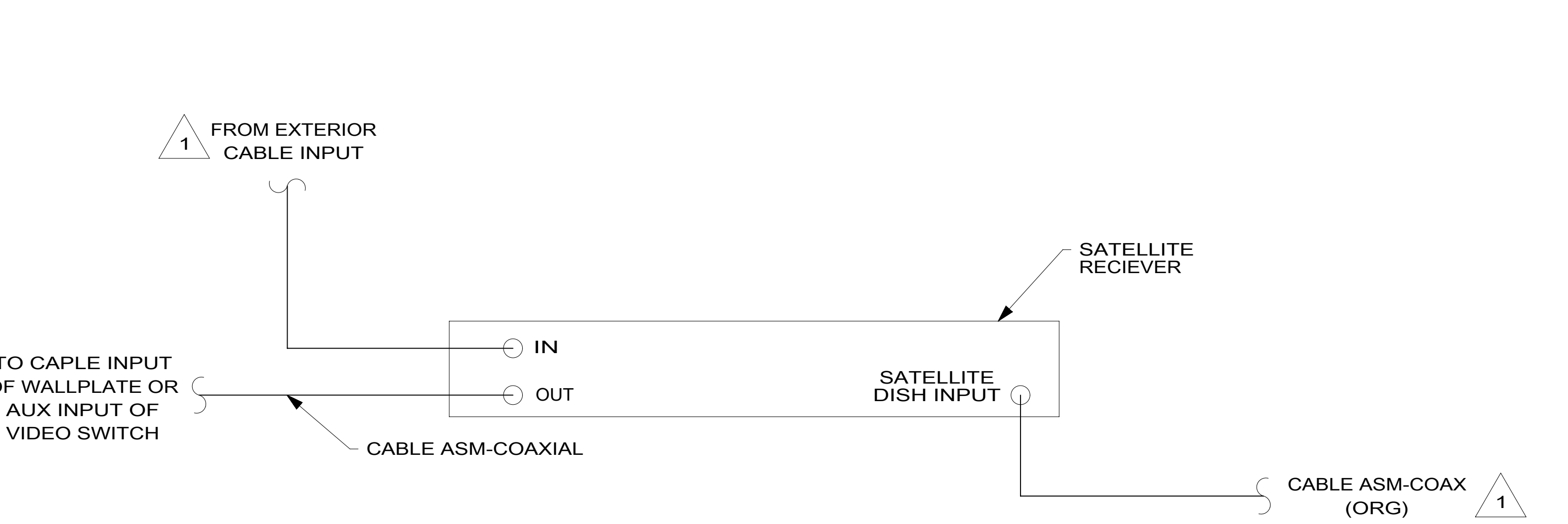
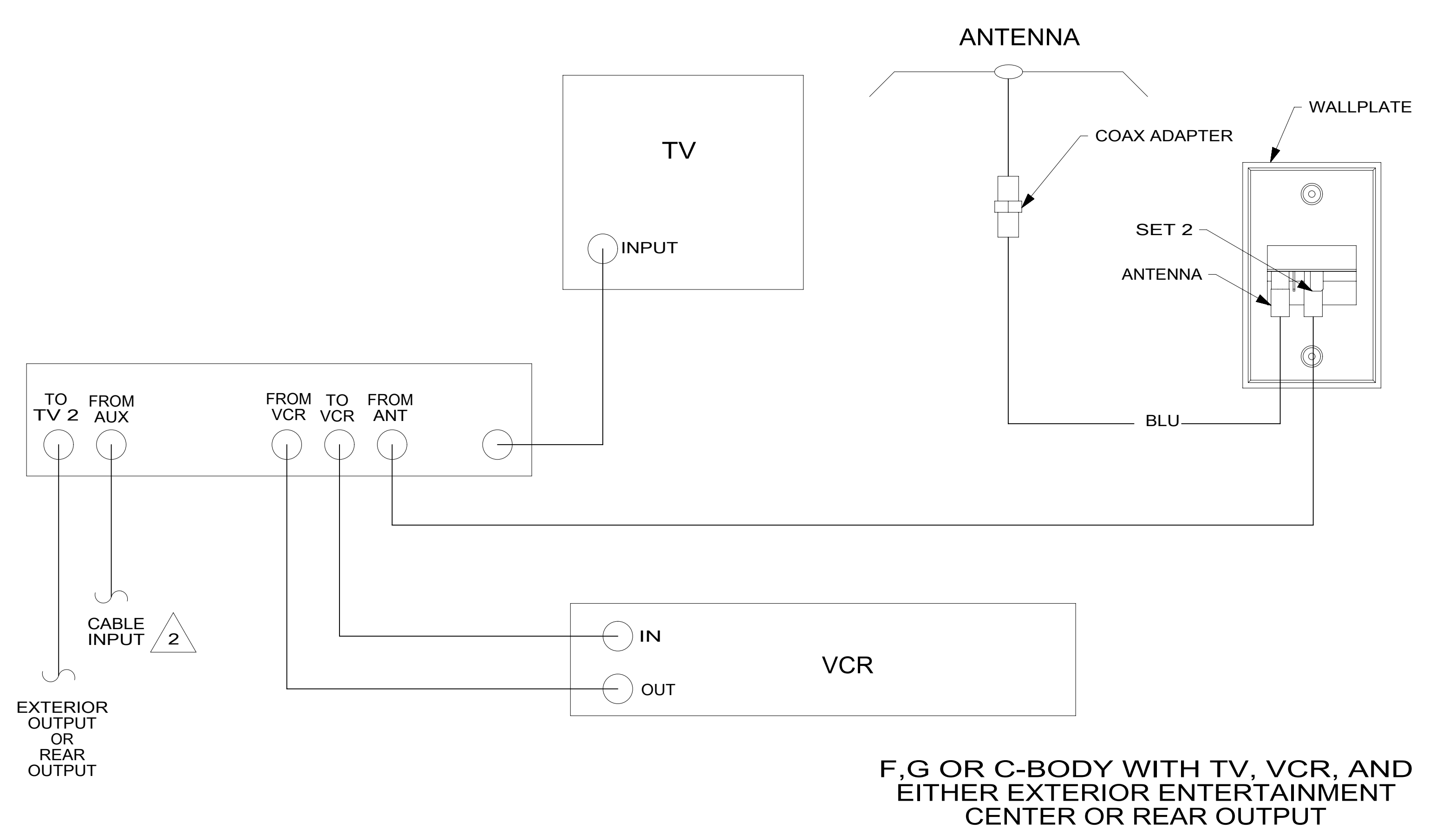
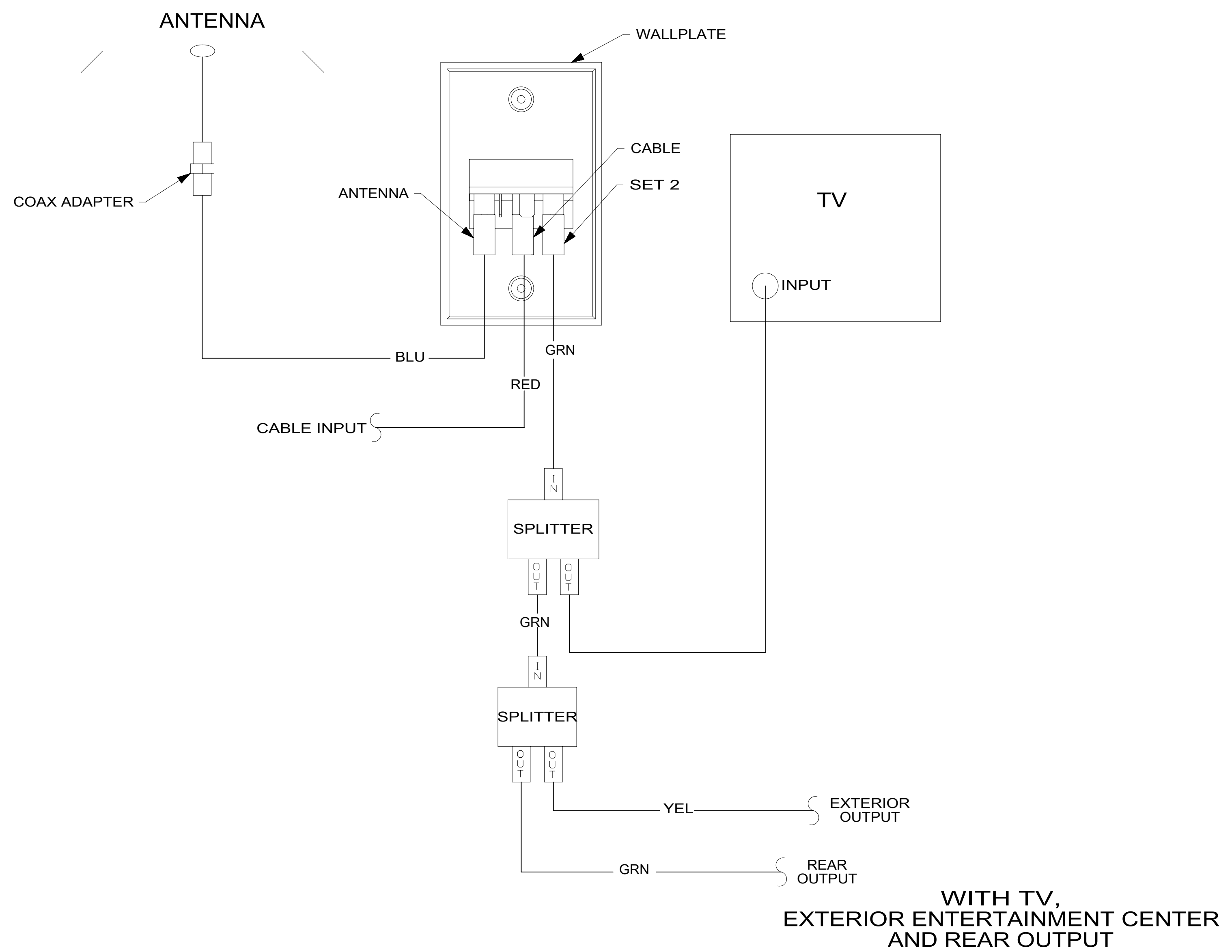
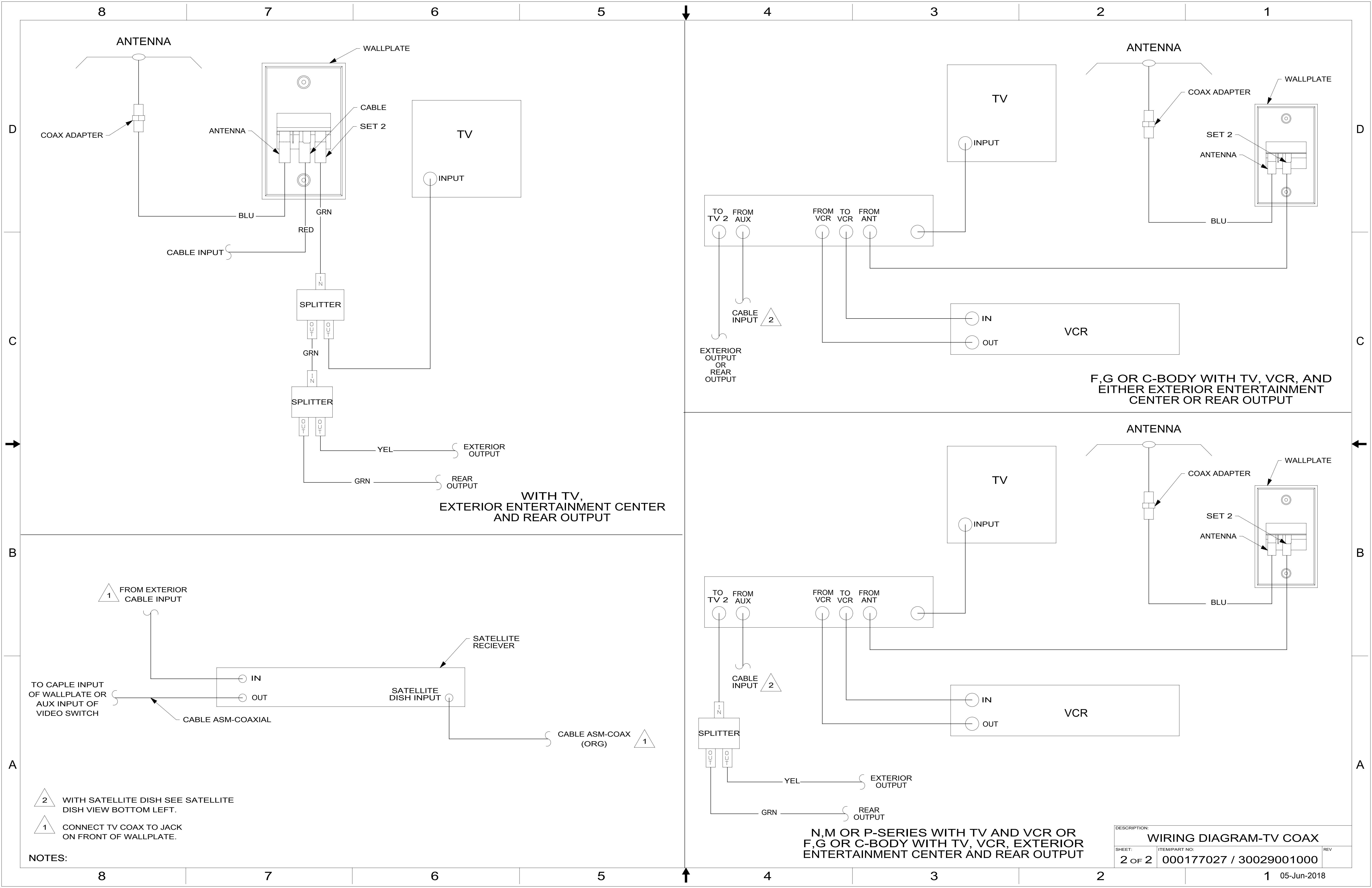
NOTES:

WINNEBAGO[®]

COPYRIGHT 2016 WINNEBAGO INDUSTRIES, INC.

DSNR:	ALL DIMENSIONS ARE IN MILLIMETERS	
DFFR:	MATERIAL:	
UNSPECIFIED TOLERANCES:		
WHOLE DIM (X) :		
ONE-PLACE (X.X) :		
TWO-PLACE (X.XX) :		
ANGLE :		
REFER TO ES0018 FOR FASTENER TIGHTENING GUIDELINES	WEIGHT: (LBS)	FIRST USED:
DESCRIPTION:		
WIRING DIAGRAM-TV COAX		
SHEET:	ITEM/PART NO:	REV:
1 OF 2	000177027 / 30029001000	
REF:		

1 05-Jun-2018



NOTES:

2 WITH SATELLITE DISH SEE SATELLITE DISH VIEW BOTTOM LEFT.

1 CONNECT TV COAX TO JACK ON FRONT OF WALLPLATE.

DESCRIPTION:		
WIRING DIAGRAM-TV COAX		
SHEET:	ITEM/PART NO.:	REV
2 OF 2	000177027 / 30029001000	