

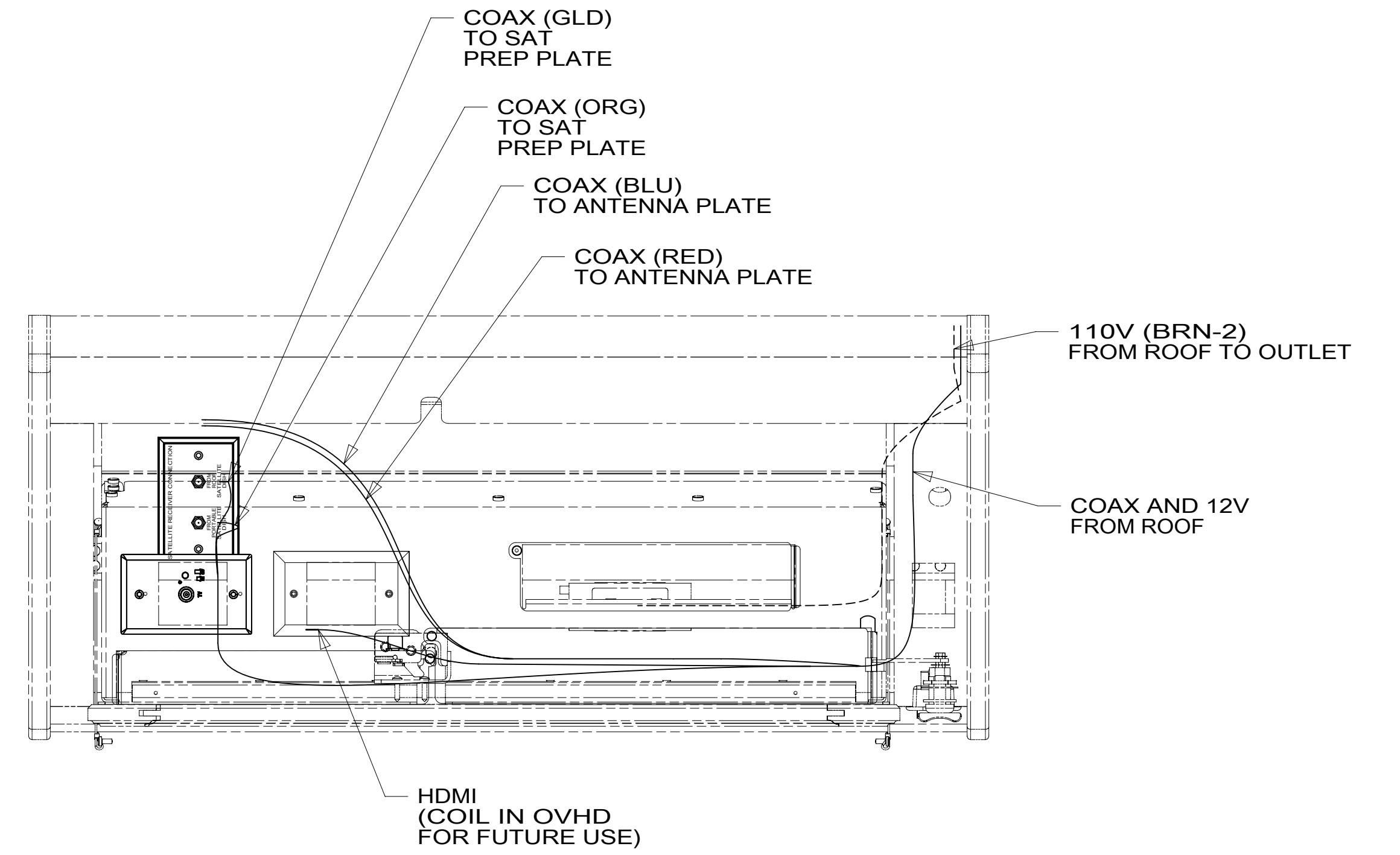
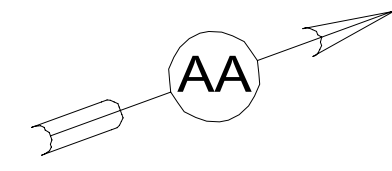
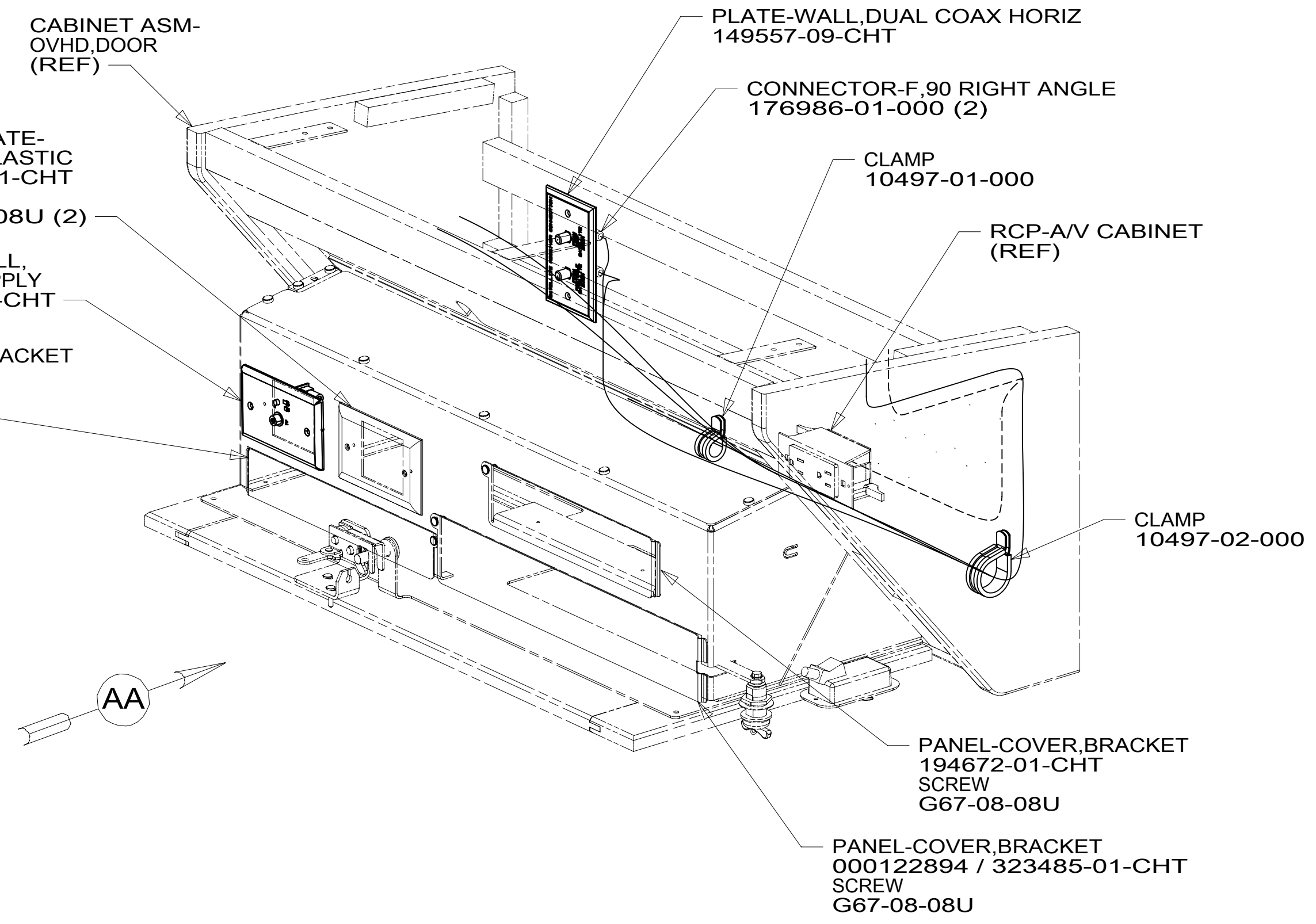
8 7 6 5 4 3 2 1

D

C

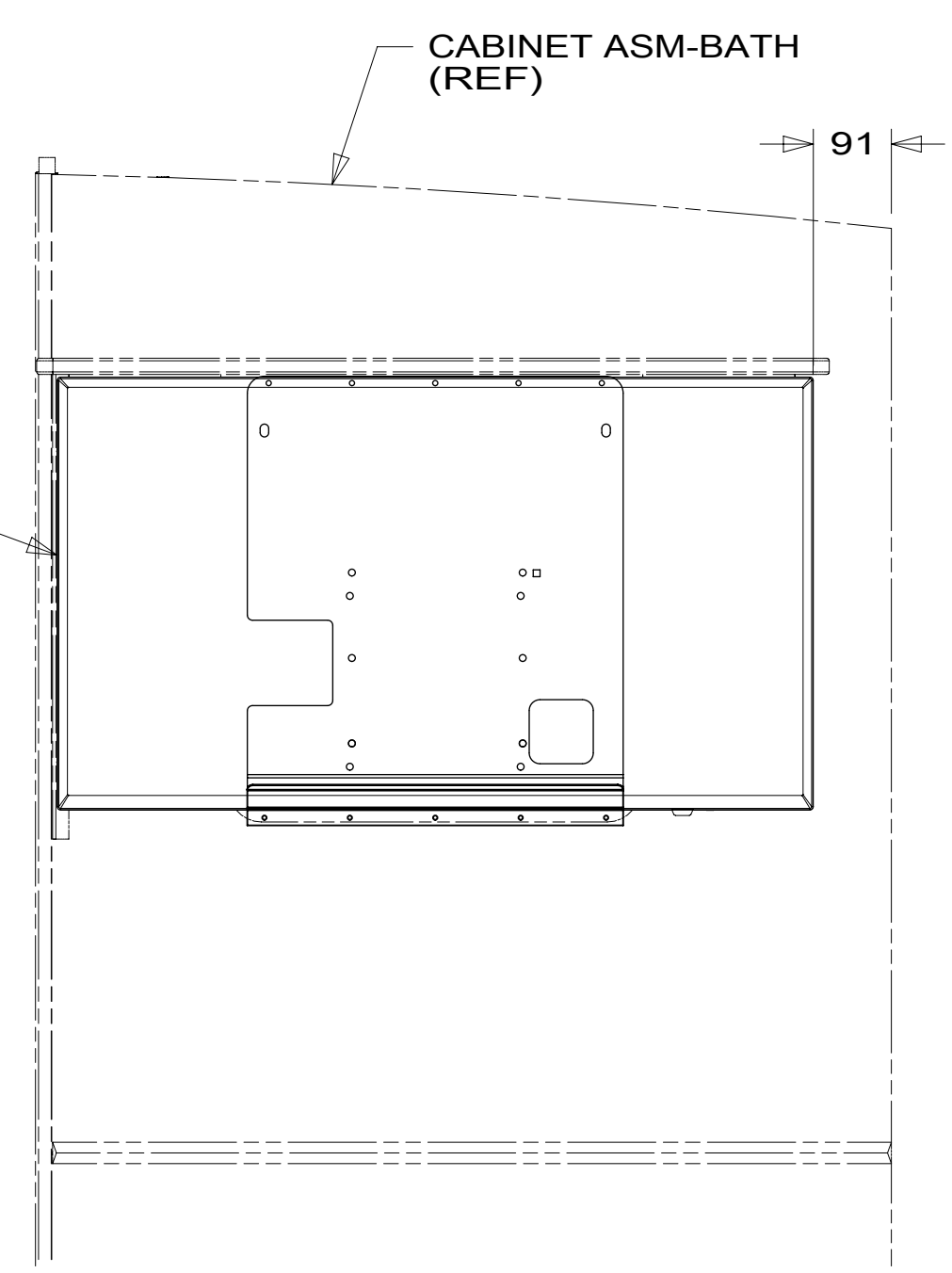
B

A

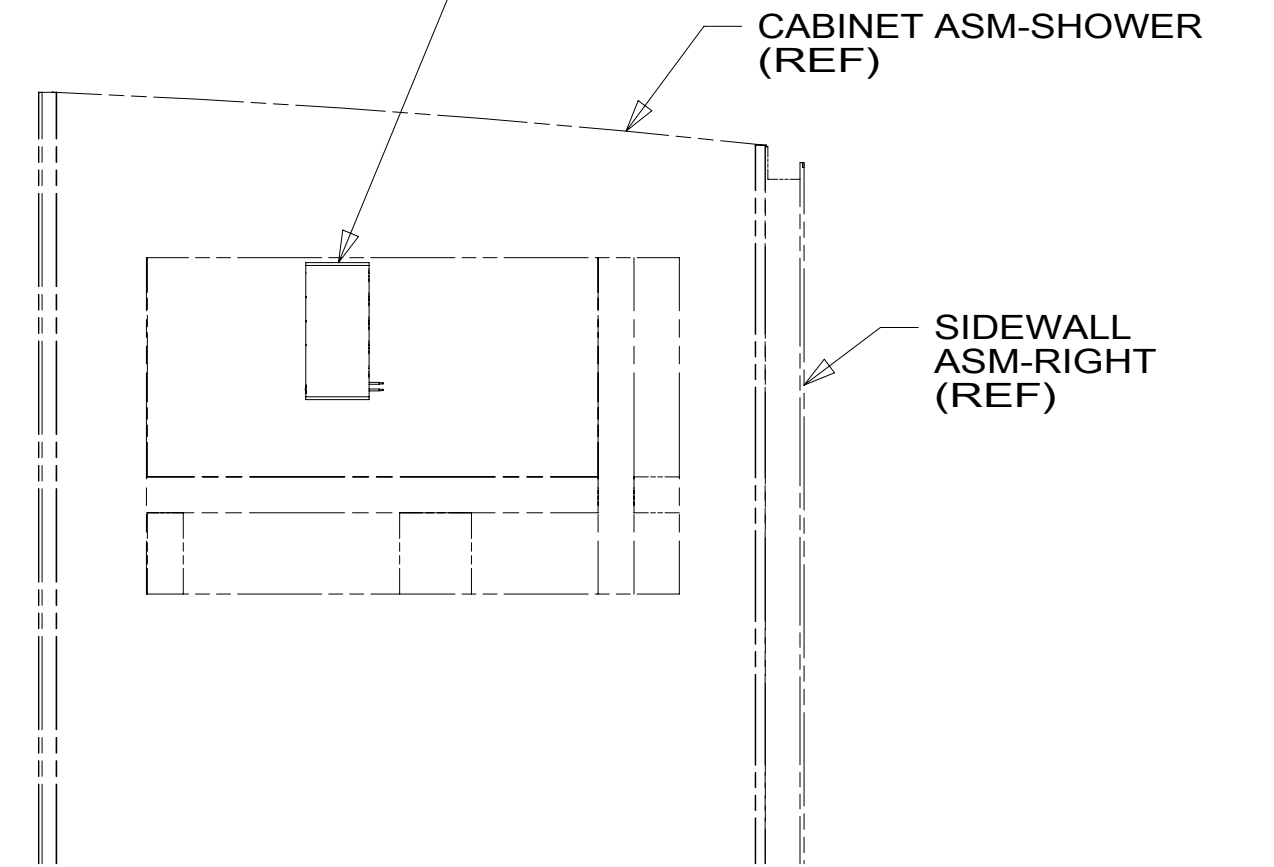


VIEW AA

TV-39" HDTV, INSIGNIA 000167539 / 330141-01-000 SCREW (SUPPLIED W/TV)

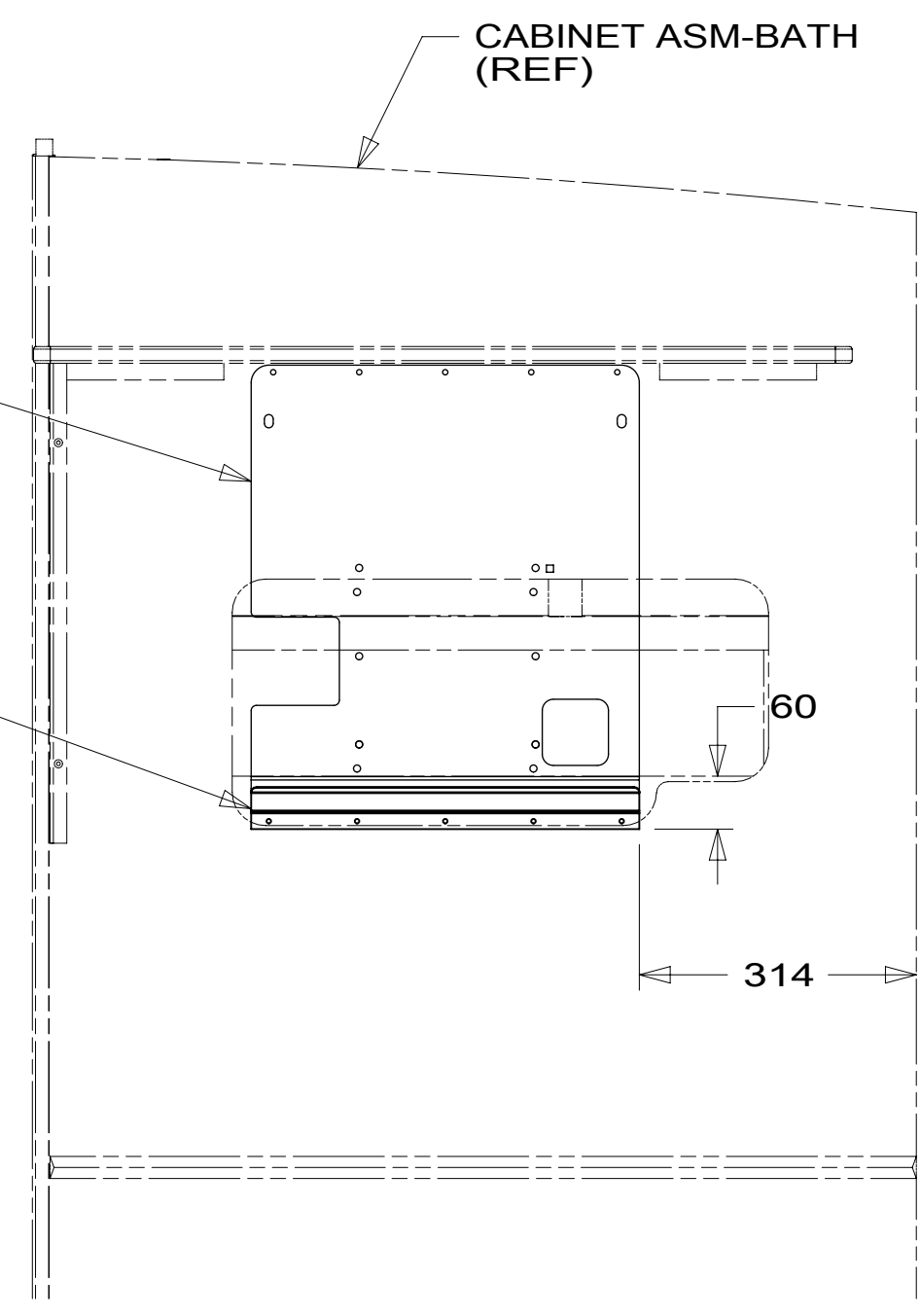


SPLITTER-HDMI, 1X4 12VOLT 000158182 / 327358-01-000 FASTENER-DUAL LOCK 085774-01-000 (50 MM) 085774-02-000 (50 MM)



BRACKET-MNTG, TV, 39" INSIG 000167840 / 330194-01-CHT SCREW G39-08-12U (5)

CLIP-TRIM 130034-08-CHT SCREW G39-08-12U (5)



(TV NOT SHOWN)

- NOTES:
- 110V WIRE TO BE CLAMPED WITH CLAMP 10497-05-000 WITHIN 200MM OF OUTLET BOXES, USE SCREW G67-10-12B.
 - ALL WIRES TO BE SECURED WITH CLAMP 10495-01-000 OR CLIP 80734-01-000 EVERY 600MM. USE SCREW G67-10-12B UNLESS OTHERWISE SPECIFIED.
 - WHERE WIRES PASS THROUGH HOLES IN STEEL AND NOT OTHERWISE PROTECTED, USE GROMMET 92908-02-000.

FOR ELECTRICAL TORQUE SPECIFICATIONS SEE DWG NO. 128783-01-000

FOR ELECTRICAL CALLOUTS SEE DWG NO. 121339-01-000

- 265 CODES/STANDARDS-CSA/CMVSS
- 1B1 CODES/STANDARDS USA
- 1B1 265

WINNEBAGO
COPYRIGHT 2016 WINNEBAGO INDUSTRIES, INC.

DSNR:	ALL DIMENSIONS ARE IN MILLIMETERS	
DIFFR:		
UNSPECIFIED TOLERANCES:	MATERIAL:	
WHOLE DIM (X) : 3		
ONE-PLACE (X.X) : 1.5		
TWO-PLACE (X.XX) : 0.50		
ANGLE : 1°		
REFER TO ES0018 FOR FASTENER TIGHTENING GUIDELINES	WEIGHT: (LBS)	FIRST USED:
		19 E32YE
DESCRIPTION: WIRING INSTL-TV/DVD		
SHEET: 1 OF 4	ITEM/PART NO: 000167493 / 33010901000	REV:

8 7 6 5 4 3 2 1

D

C

B

A

8 7 6 5 4 3 2 1

D

C

B

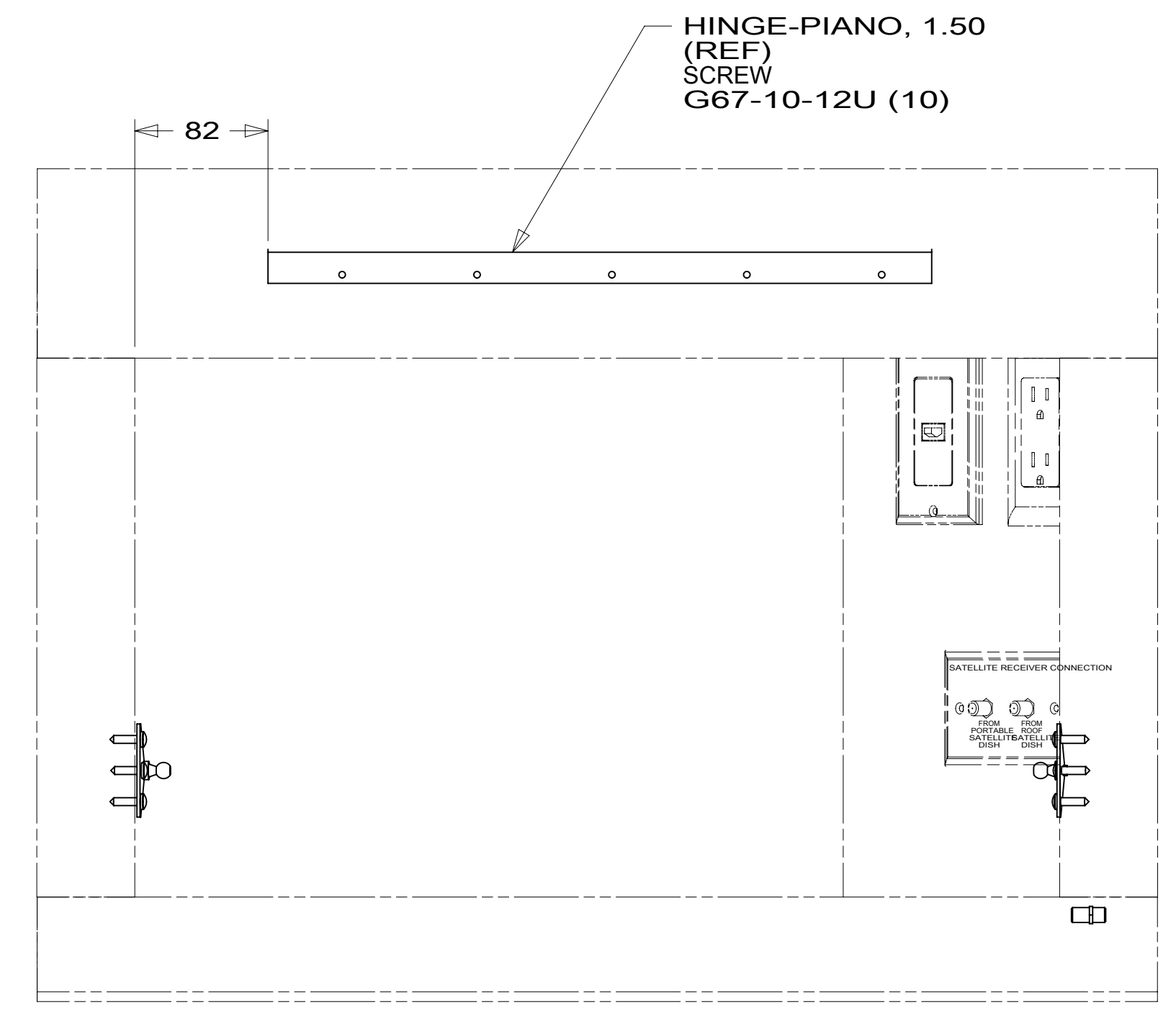
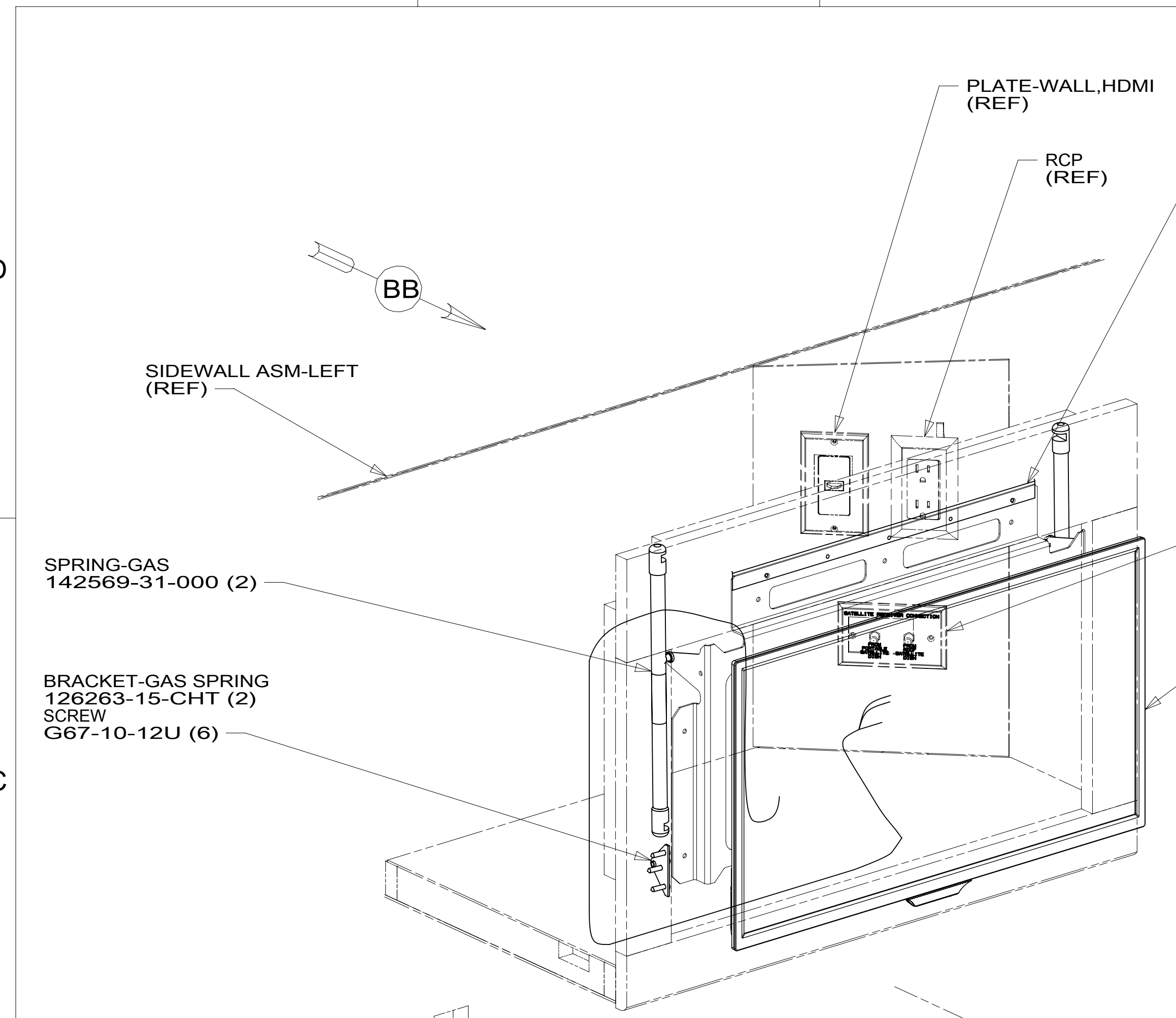
A

D

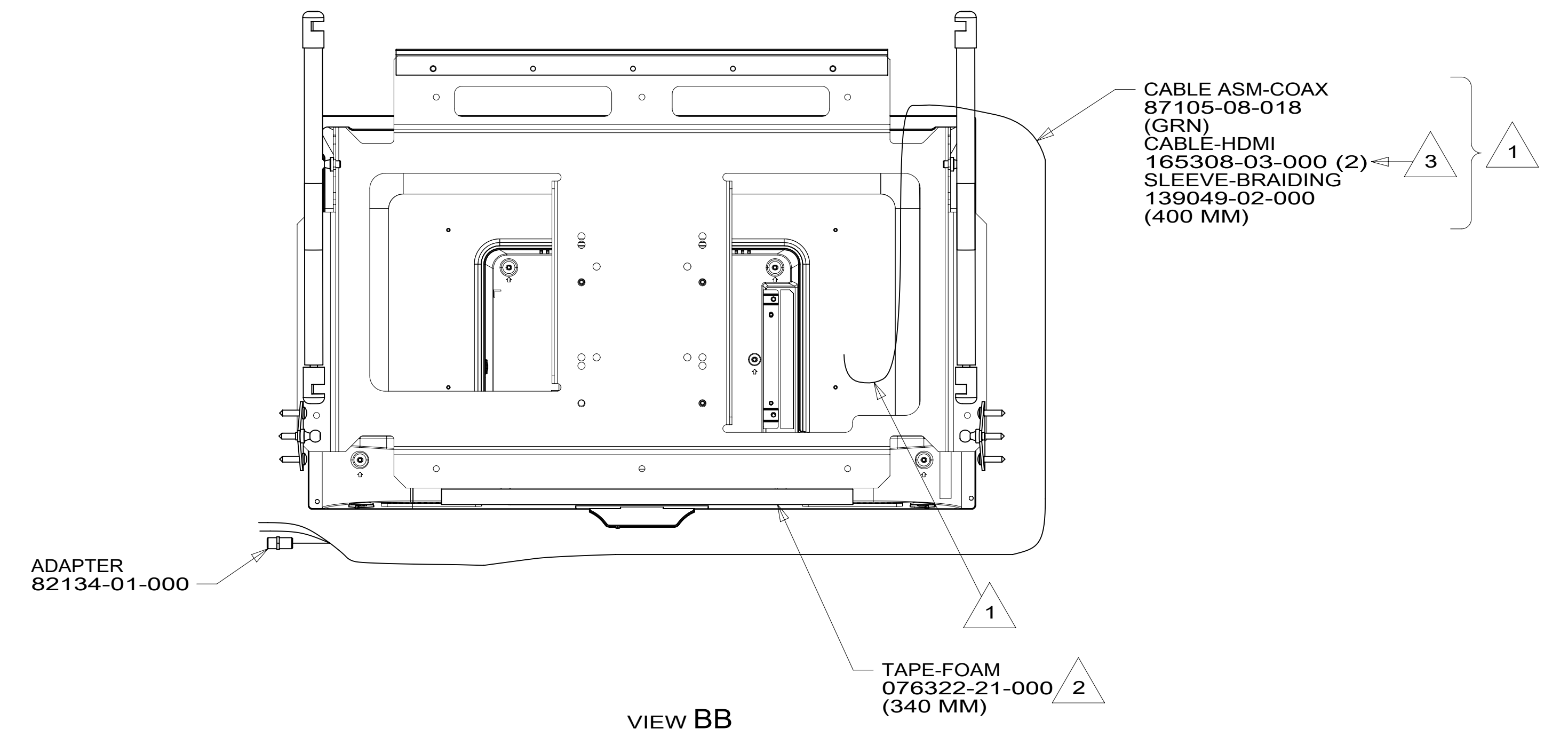
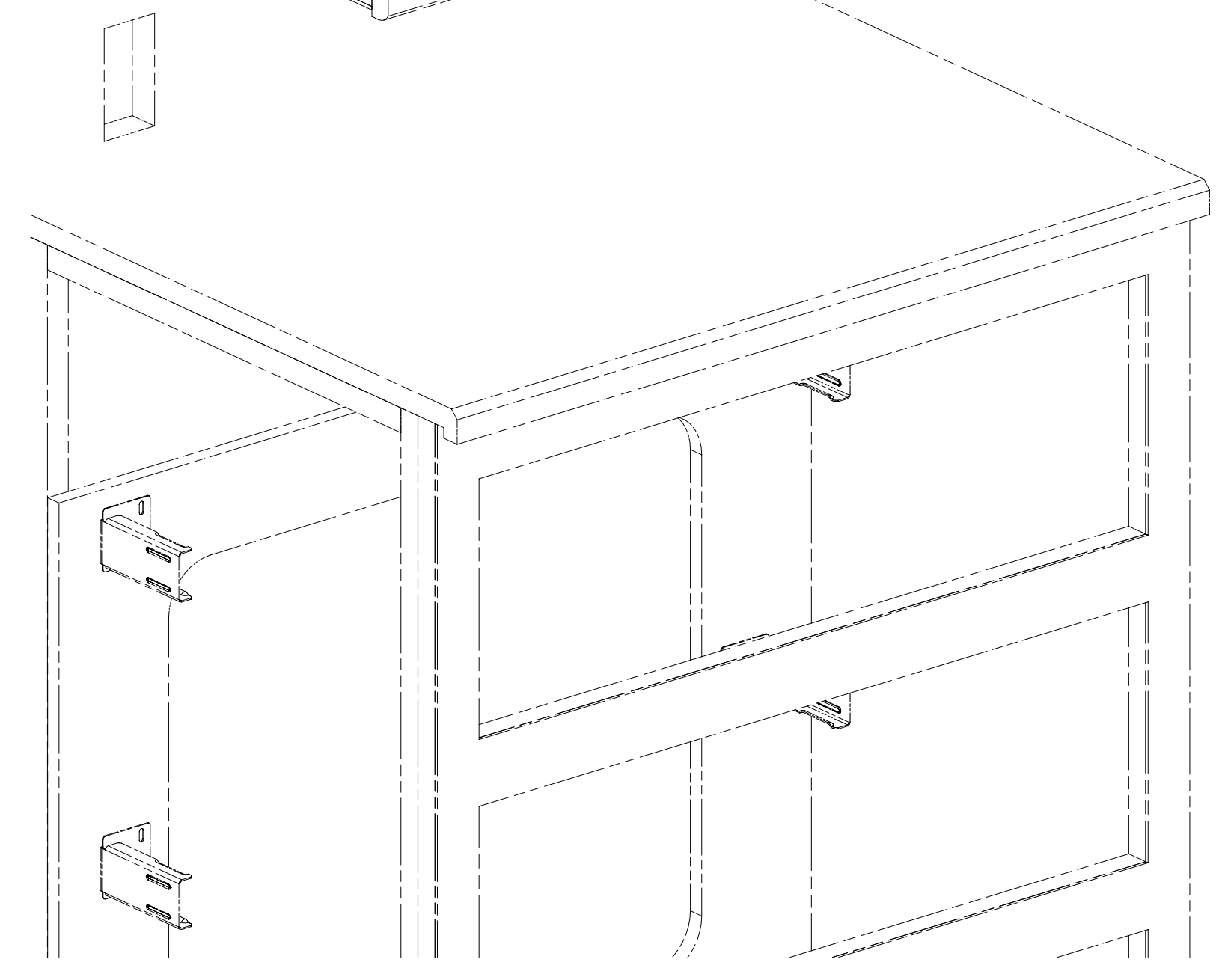
C

B

A



VIEW BA
(TV NOT SHOWN)



VIEW BB

- NOTES:
- 3 ONE HDMI CABLE IS FOR CONNECTION TO HDMI PLATE. THE OTHER CONNECTS TO THE HDMI CABLE IN WIRE ASM-COACH.
 - 2 CLEAN AND APPLY ADHESIVE PROMOTER 87211-01-000 TO BOTH SURFACES AND BOND WHERE TV CONTACTS CABINET.
 - 1 USE TIE-WIRE 8343-04-000 TO ATTACH WIRE ASM TO HOLES IN BRACKET.

68X TV - BEDROOM
 265 CODES/STANDARDS-CSA/CMVSS
 1B1 CODES/STANDARDS USA

FOR ELECTRICAL TORQUE SPECIFICATIONS SEE DWG NO. 128783-01-000

FOR ELECTRICAL CALLOUTS SEE DWG NO. 121339-01-000

DESCRIPTION: WIRING INSTL-TV/DVD		
SHEET: 2 OF 4	ITEM/PART NO: 000167493 / 33010901000	REV

8 7 6 5 4 3 2 1 20-Jun-2019

8 7 6 5 4 3 2 1

D

D

C

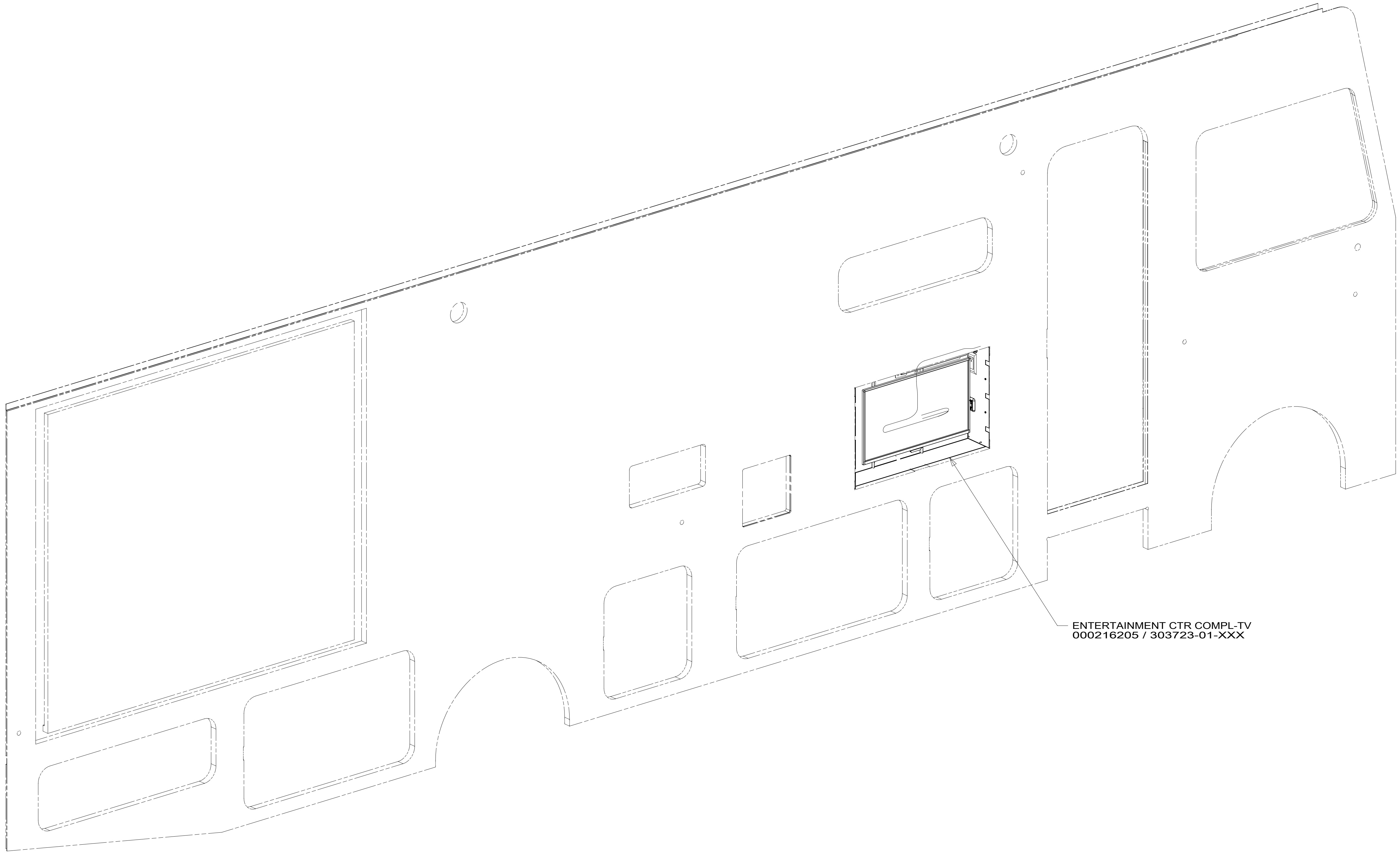
C

B

B

A

A



ENTERTAINMENT CTR COMPL-TV
000216205 / 303723-01-XXX

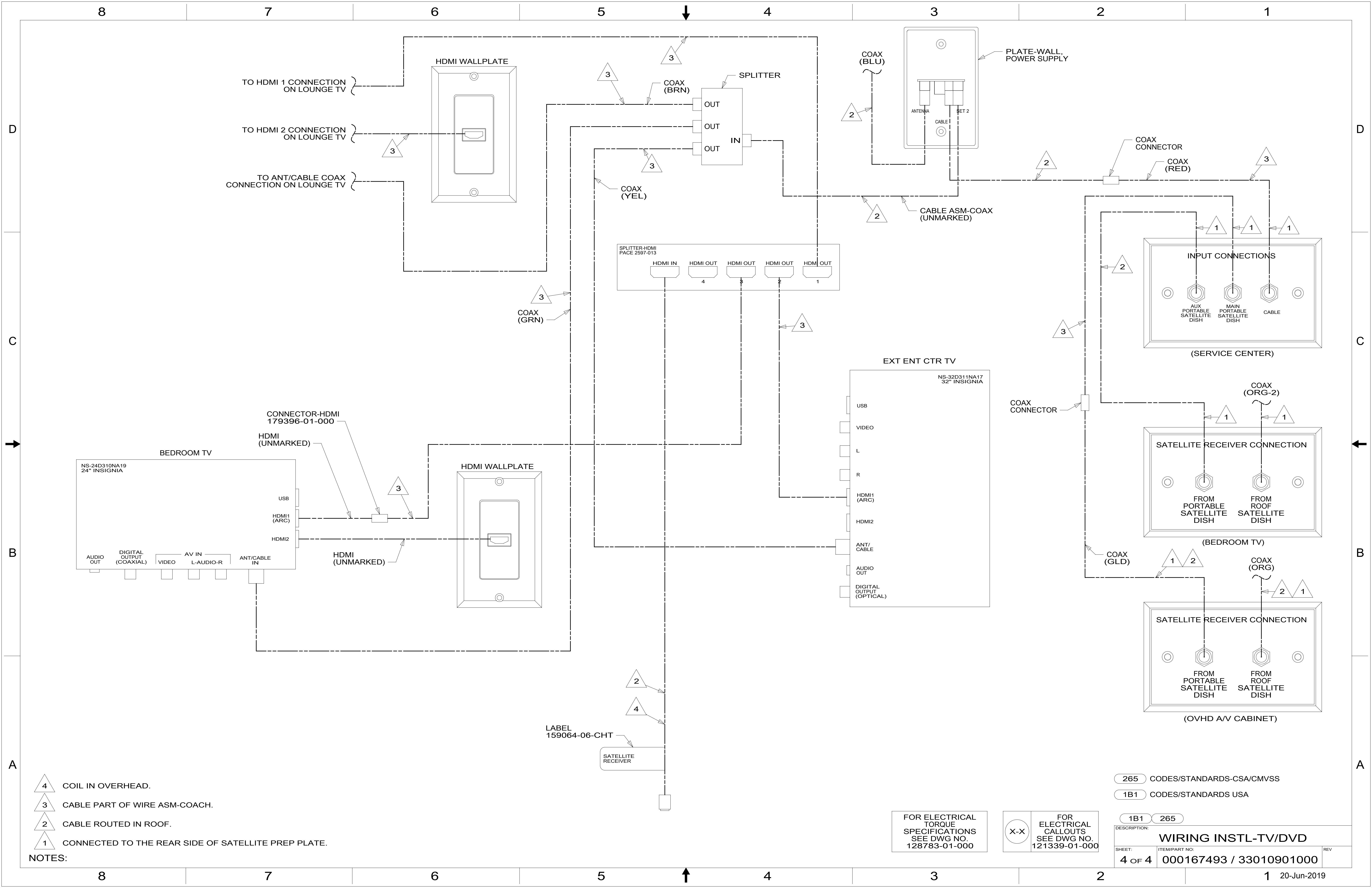
FOR ELECTRICAL
TORQUE
SPECIFICATIONS
SEE DWG NO.
128783-01-000

FOR
ELECTRICAL
CALLOUTS
SEE DWG NO.
121339-01-000

- 265 CODES/STANDARDS-CSA/CMVSS
- 1B1 CODES/STANDARDS USA

DESCRIPTION:		1B1	265
WIRING INSTL-TV/DVD			
SHEET:	ITEM/PART NO.:	REV	
3 OF 4	000167493 / 33010901000		

8 7 6 5 4 3 2 1 20-Jun-2019



- NOTES:
- 4 COIL IN OVERHEAD.
 - 3 CABLE PART OF WIRE ASM-COACH.
 - 2 CABLE ROUTED IN ROOF.
 - 1 CONNECTED TO THE REAR SIDE OF SATELLITE PREP PLATE.

FOR ELECTRICAL TORQUE SPECIFICATIONS SEE DWG NO. 128783-01-000

FOR ELECTRICAL CALLOUTS SEE DWG NO. 121339-01-000

- 265 CODES/STANDARDS-CSA/CMVSS
- 1B1 CODES/STANDARDS USA

DESCRIPTION: **WIRING INSTL-TV/DVD**

SHEET: 4 OF 4 ITEM/PART NO.: 000167493 / 33010901000 REV: 1

20-Jun-2019