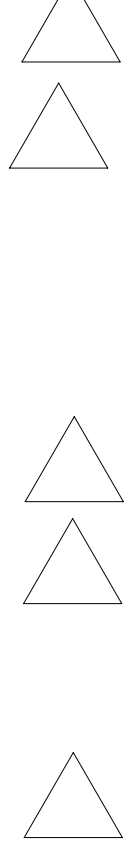


12. WHEN INSTALLING TOILET, SCRAP THE SUPPLIED LAGGING BOLTS FOR PLASTIC BRACKET TO FLOOR ONLY. USE SCREW 000G11-08-06U (2) TO LOCATE AND FASTEN STEEL BRACKET TO FLOOR. THEN FASTEN DOWN PLASTIC BRACKETS TO FLOOR USING SCREW 000G42-04-24U (2) AND SUPPLIED PLASTIC ANCHORS. PLACE TOILET OVER THE BRACKETS AND FASTEN USING SUPPLIED HARDWARE AND THEN USE WHITE CAPS TO COVER SCREWS.



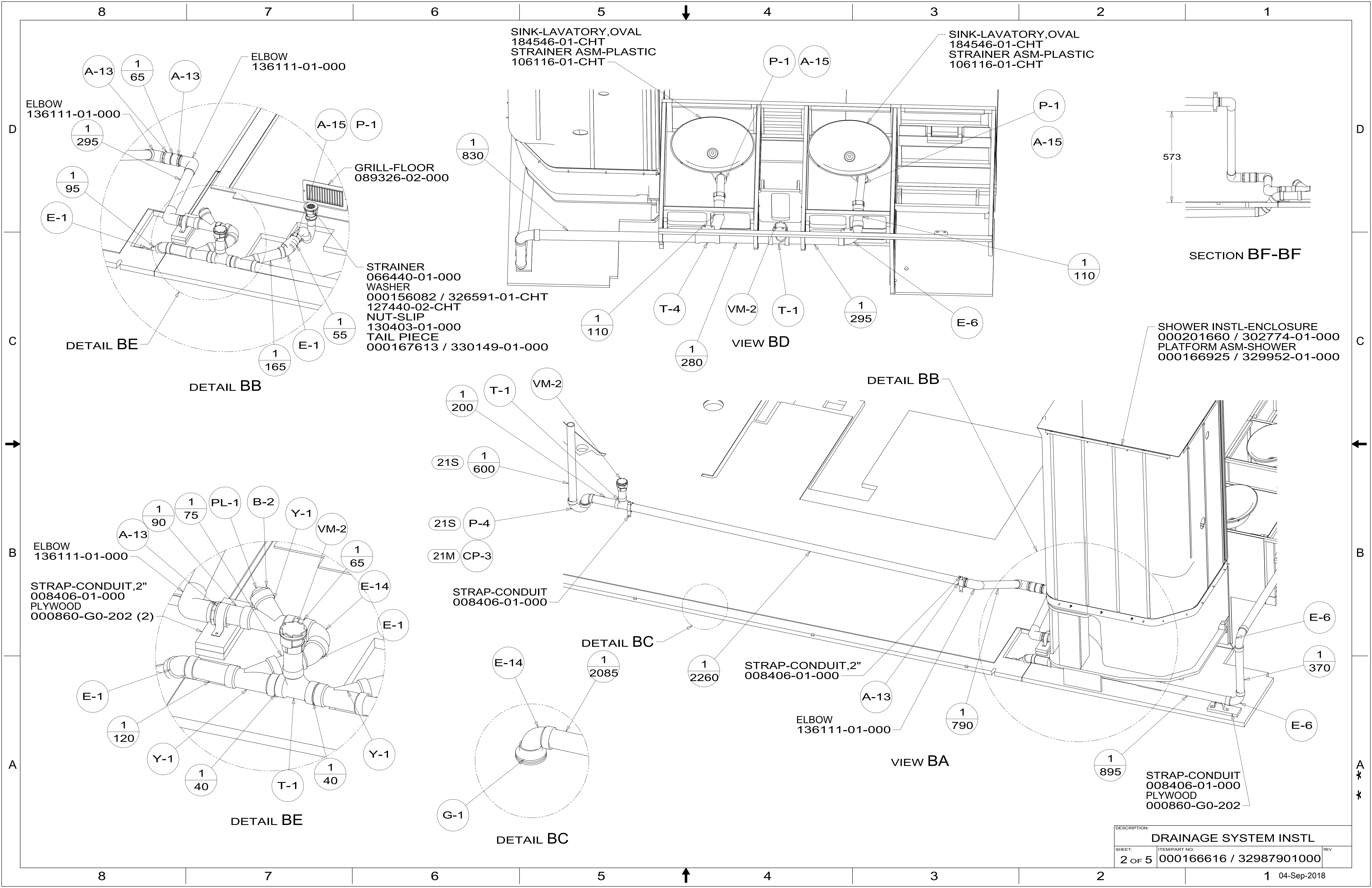
FOR DRAINAGE CALLOUTS SEE DWG NO. 000211962 / 303370-01-000

- 21S WASHER & DRYER-PAIR
- 21M WASHER/DRYER PREP



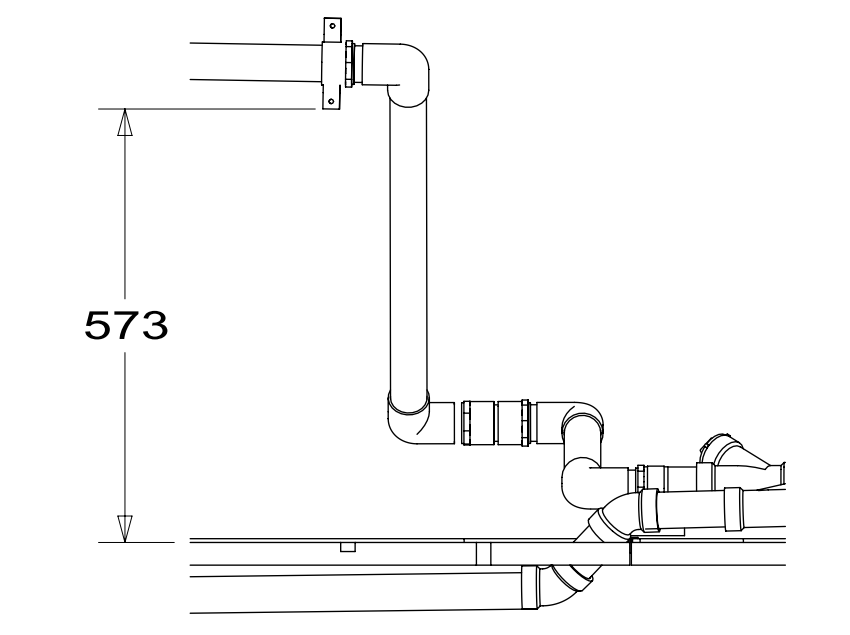
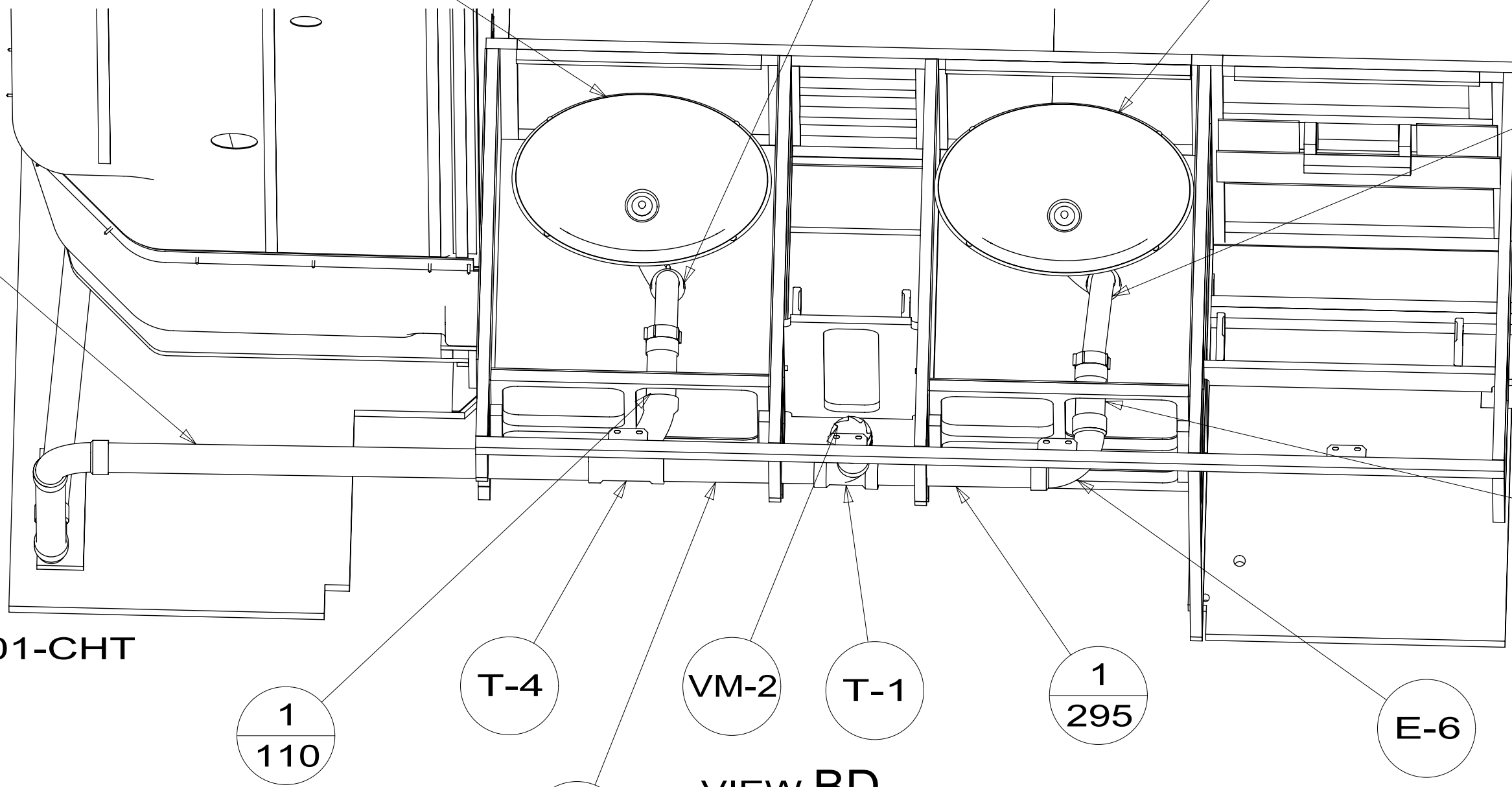
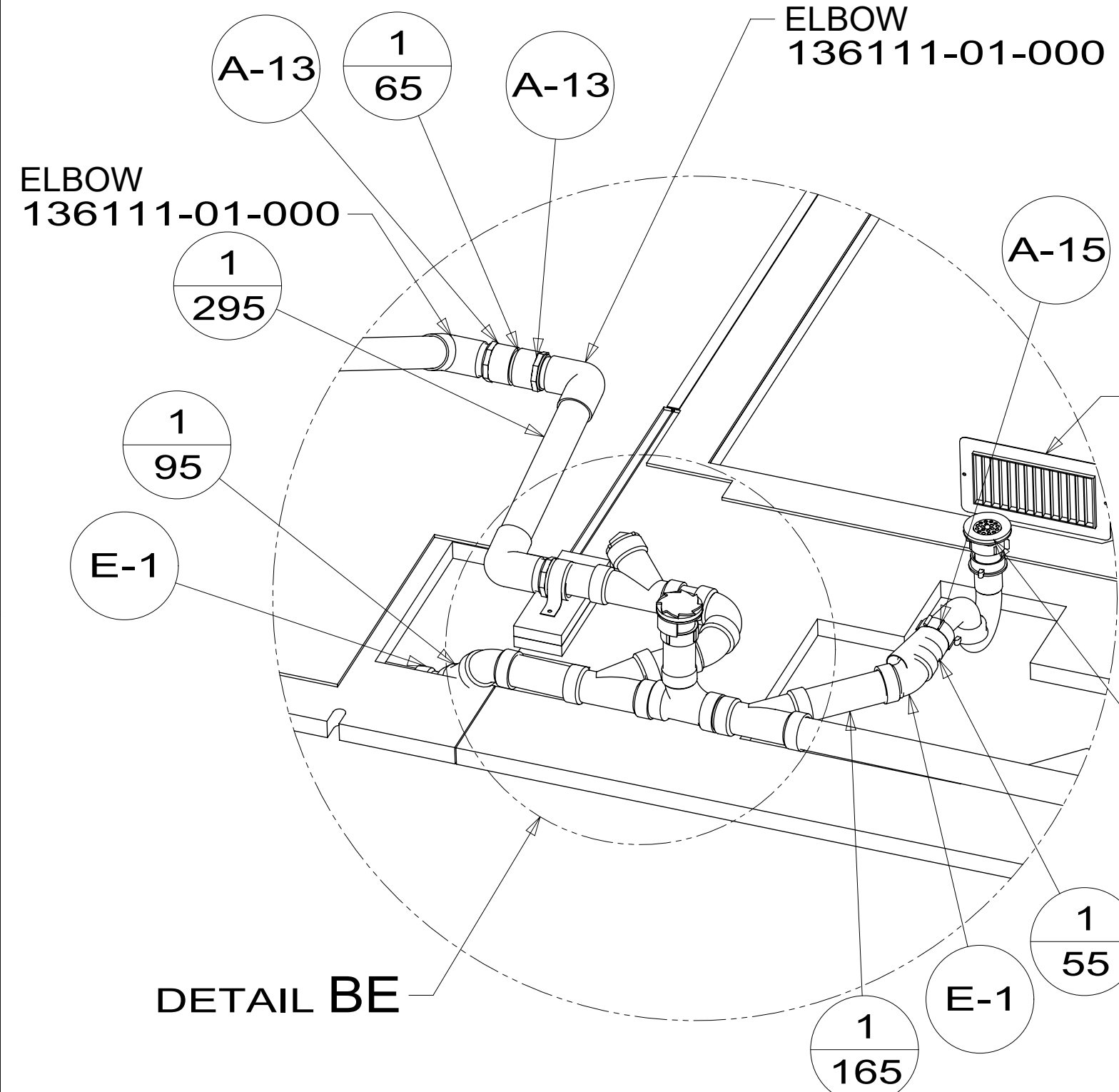
DSNR:		ALL DIMENSIONS ARE IN MILLIMETERS	
DFTR:		MATERIAL:	
UNSPECIFIED TOLERANCES:			
WHOLE DIM (X)	3		
ONE-PLACE (X.X)	1.5		
TWO-PLACE (X.XX)	0.50		
ANGLE	1°		
REFER TO ES0018 FOR FASTENER TIGHTENING GUIDELINES		WEIGHT: (LBS)	FIRST USED: (REF)
			19 L38F
DESCRIPTION:			
DRAINAGE SYSTEM INSTL			
SHEET:	ITEM/PART NO.:	REV	
1 OF 5	000166616 / 32987901000		

NOTES:

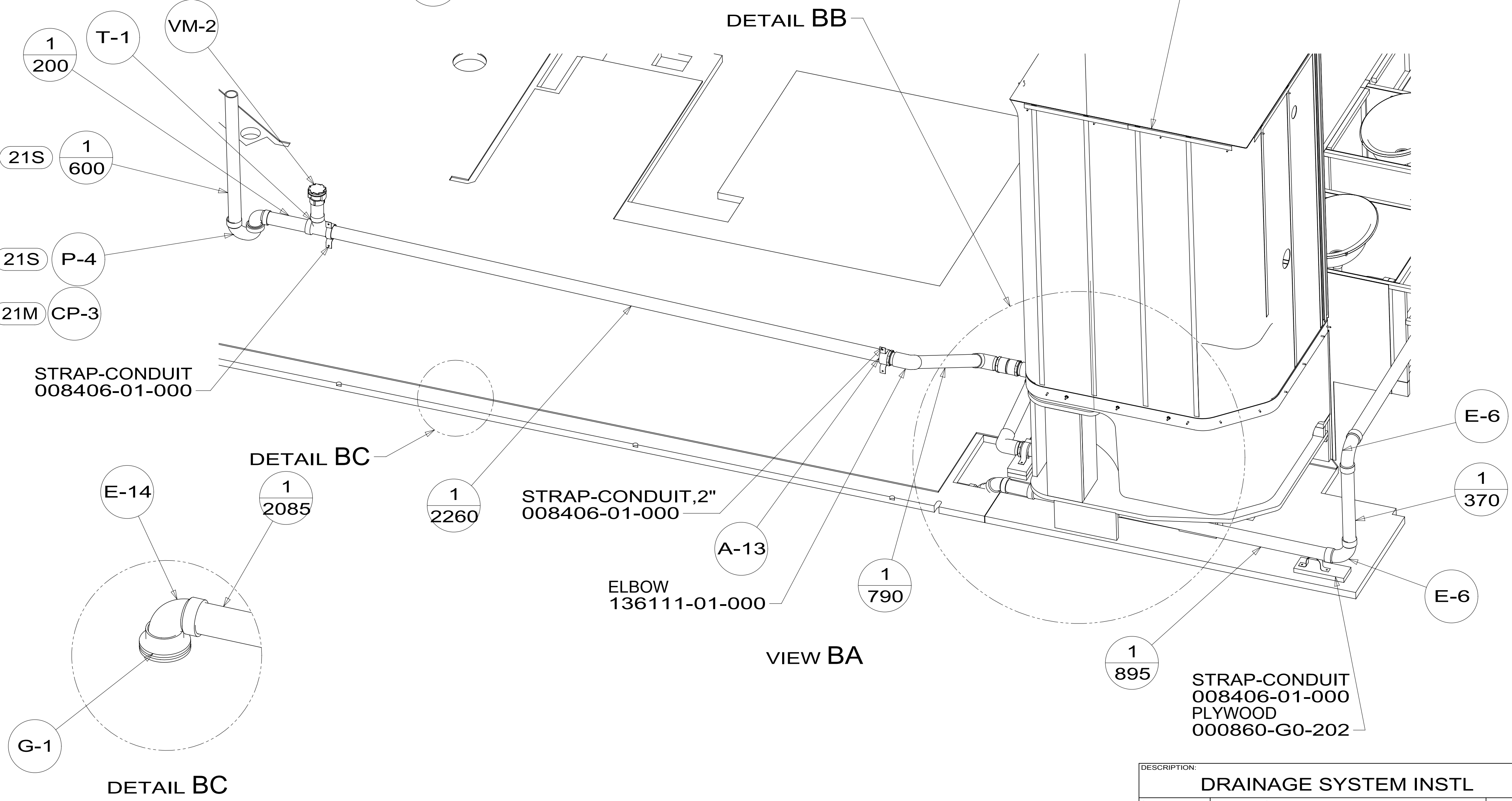
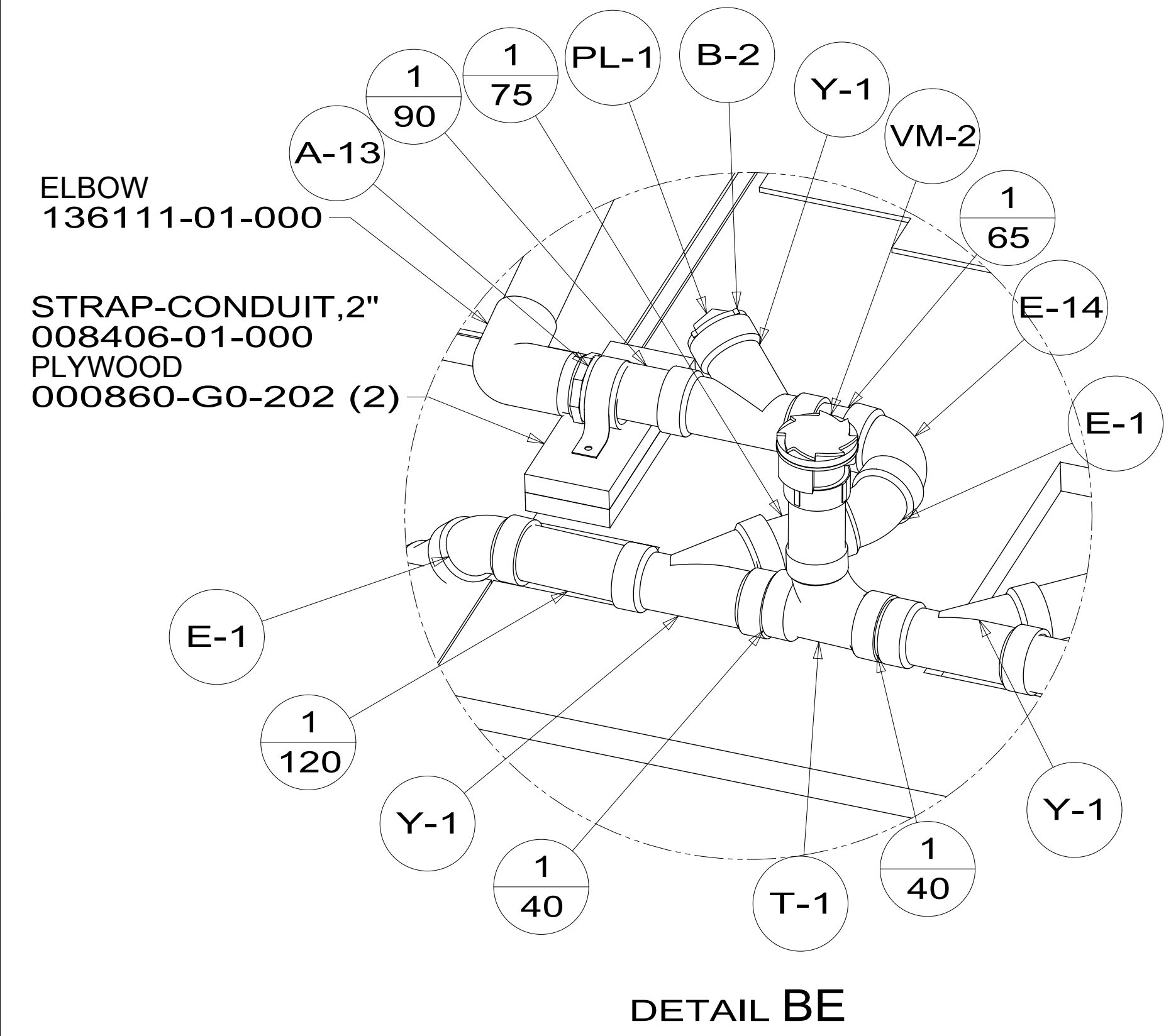


SINK-LAVATORY, OVAL
184546-01-CHT
STRAINER ASM-PLASTIC
106116-01-CHT

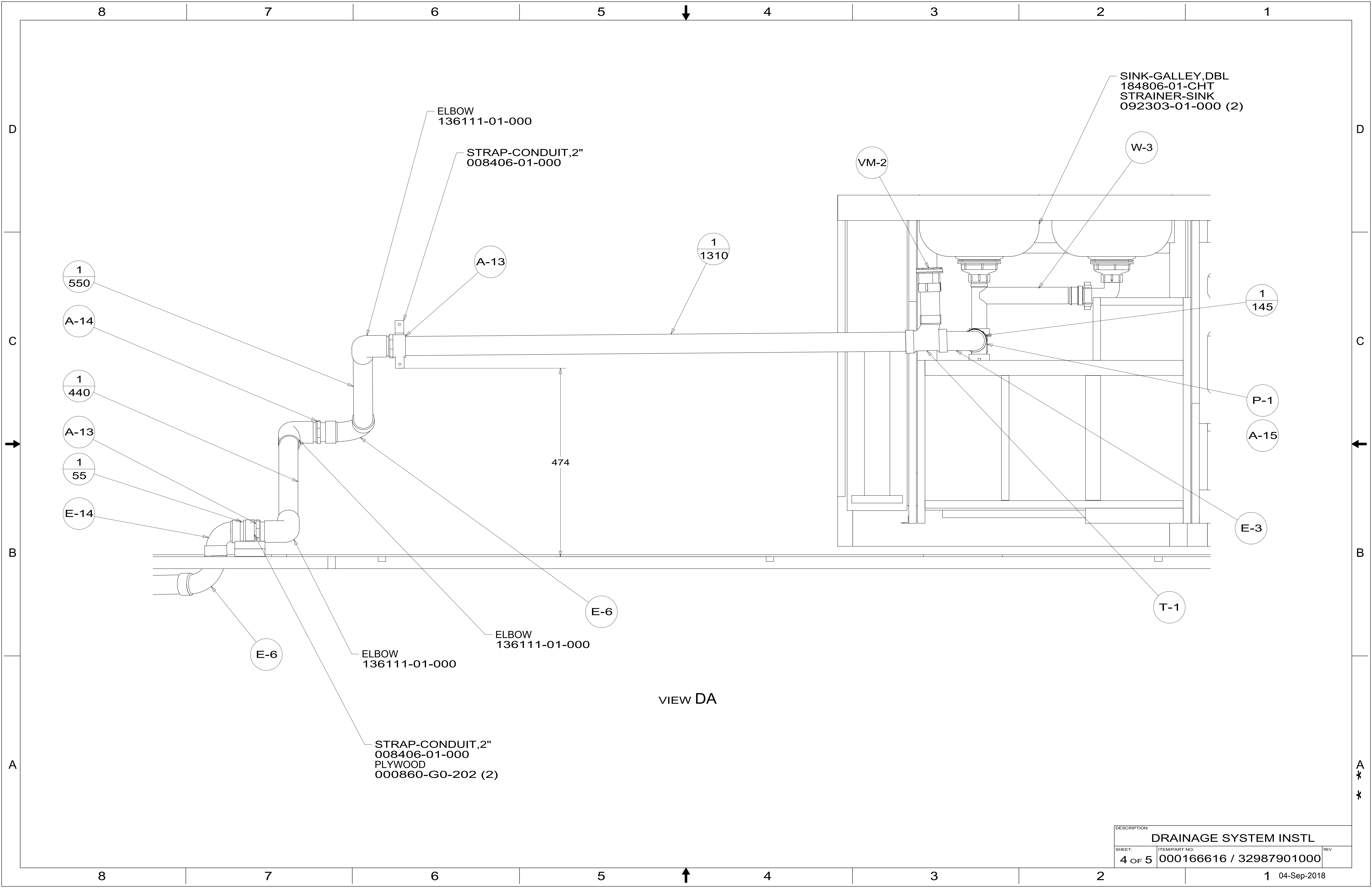
SINK-LAVATORY, OVAL
184546-01-CHT
STRAINER ASM-PLASTIC
106116-01-CHT



SHOWER INSTL-ENCLOSURE
000201660 / 302774-01-000
PLATFORM ASM-SHOWER
000166925 / 329952-01-000



DESCRIPTION: DRAINAGE SYSTEM INSTL		
SHEET: 2 OF 5	ITEM/PART NO: 000166616 / 32987901000	REV



ELBOW
136111-01-000

STRAP-CONDUIT, 2"
008406-01-000

SINK-GALLEY, DBL
184806-01-CHT
STRAINER-SINK
092303-01-000 (2)

1
550

A-14

1
440

A-13

1
55

E-14

A-13

1
1310

1
145

P-1

A-15

E-3

474

E-6

ELBOW
136111-01-000

E-6

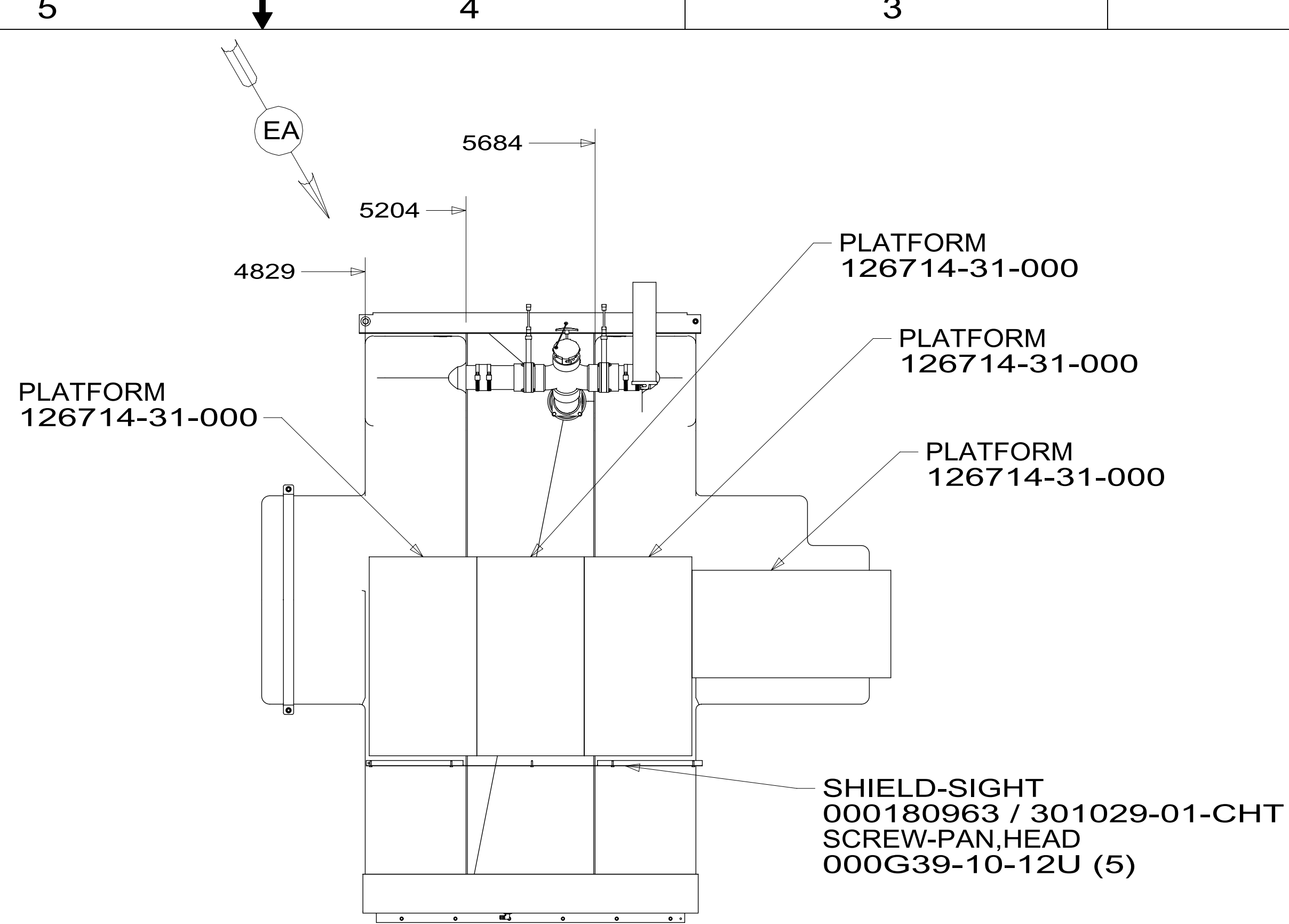
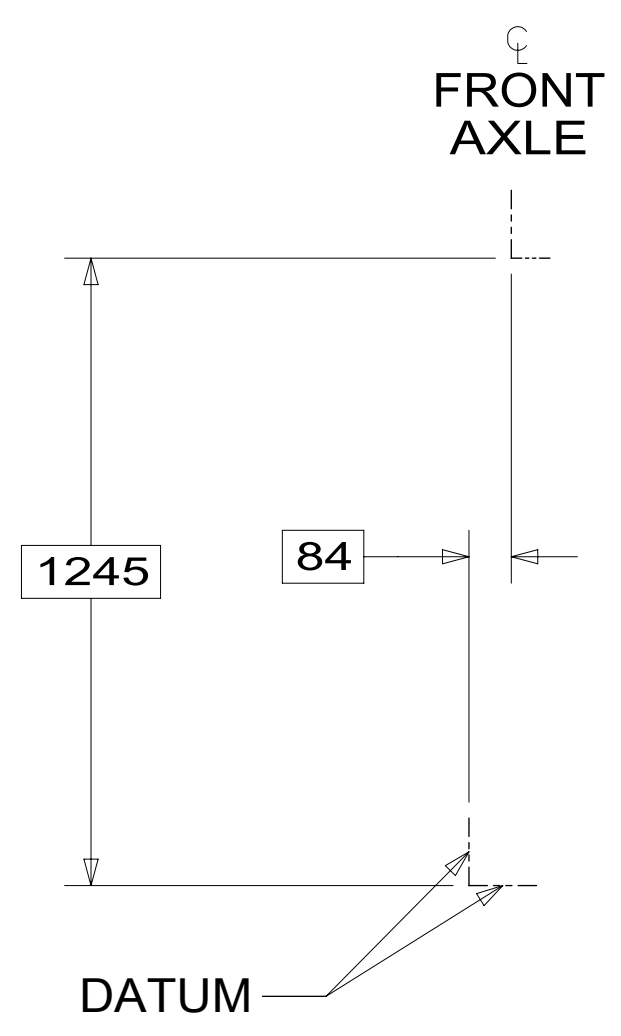
ELBOW
136111-01-000

STRAP-CONDUIT, 2"
008406-01-000
PLYWOOD
000860-G0-202 (2)

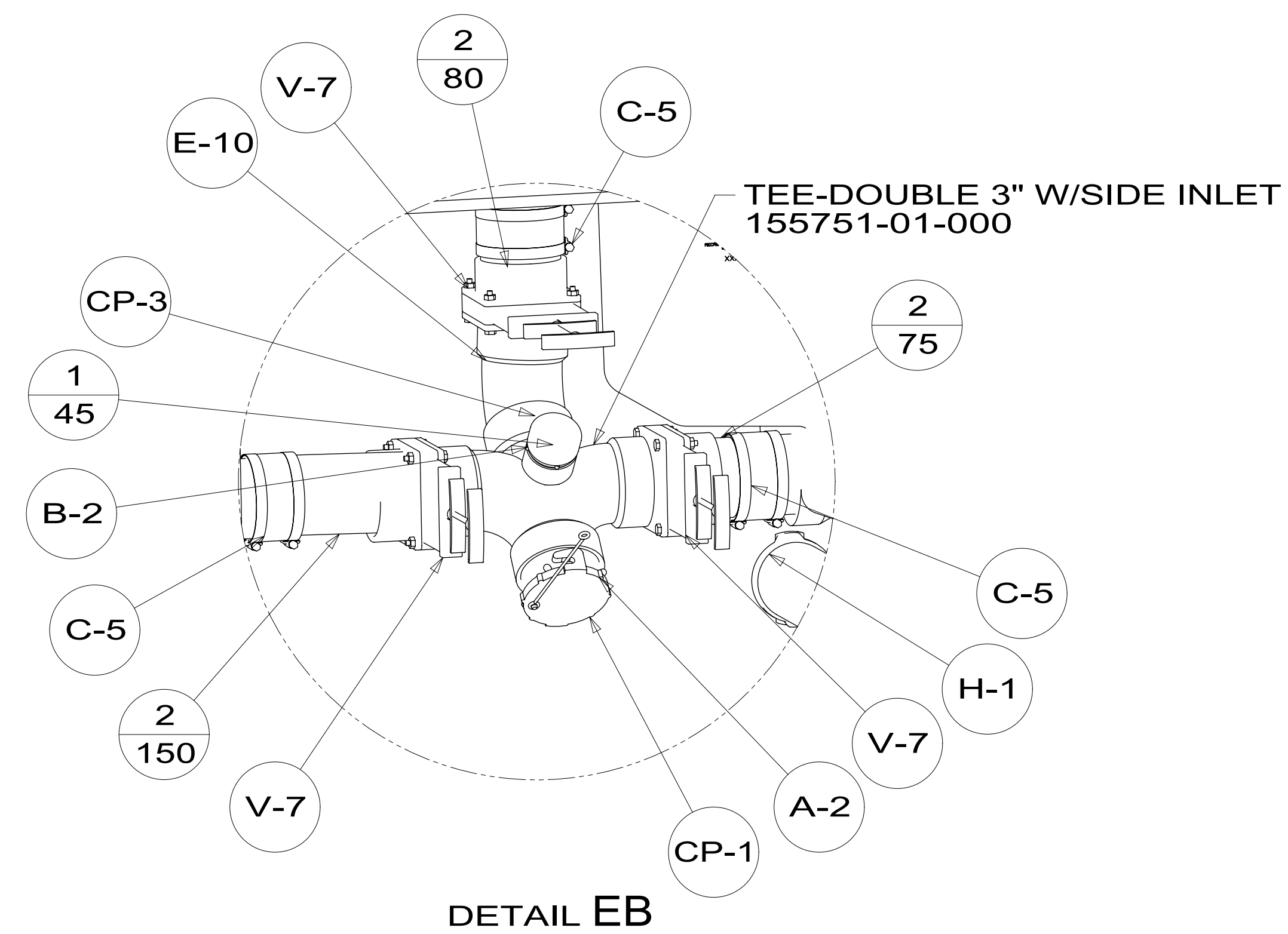
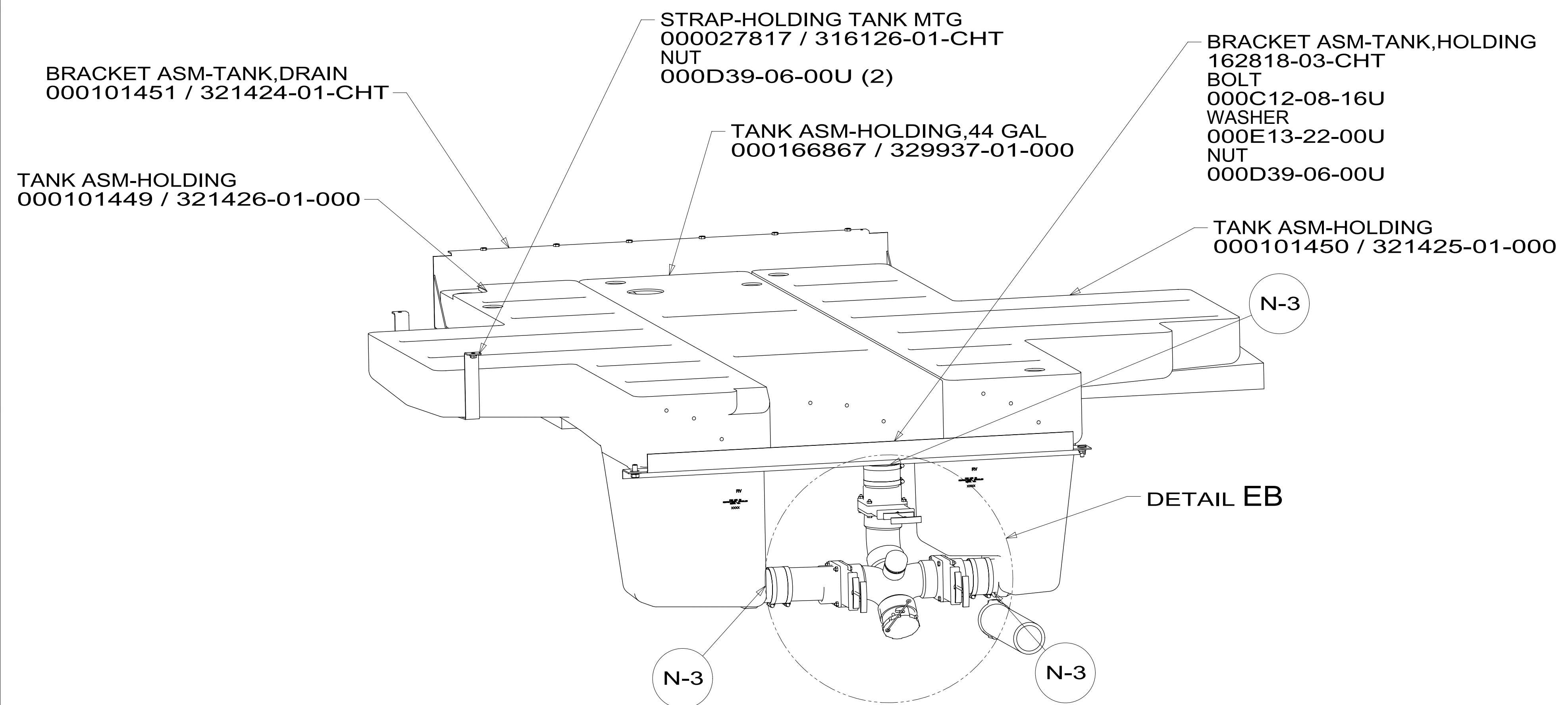
VIEW DA

DESCRIPTION: DRAINAGE SYSTEM INSTL		
SHEET: 4 OF 5	ITEM/PART NO: 000166616 / 32987901000	REV

8 7 6 5 4 3 2 1



BOTTOM VIEW SHOWING TANKS AND DRAINS



VIEW EA

DESCRIPTION: DRAINAGE SYSTEM INSTL		
SHEET: 5 OF 5	ITEM/PART NO: 000166616 / 32987901000	REV

8 7 6 5 4 3 2 1 04-Sep-2018