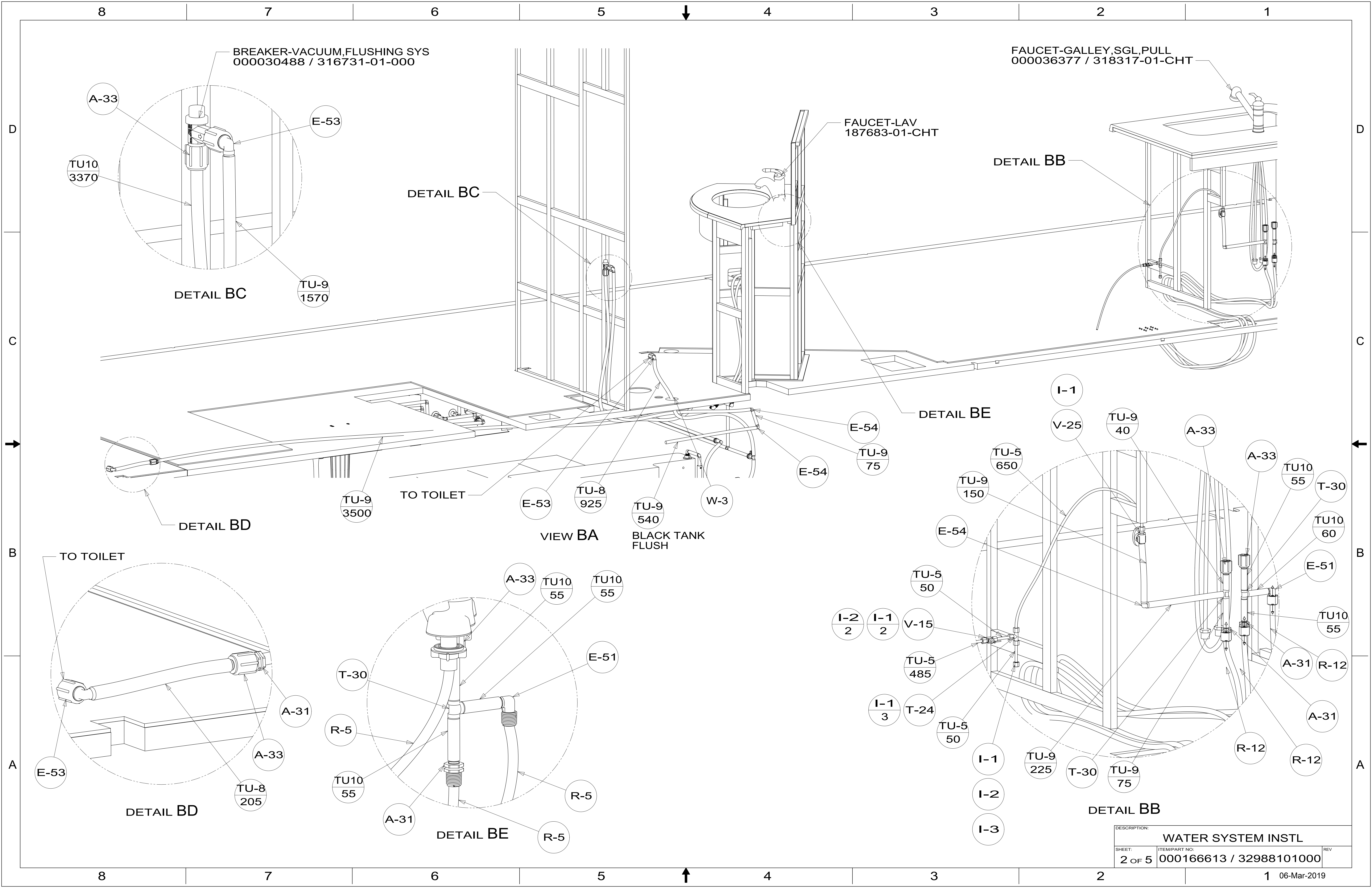


- 1BU WTR HTR TKLS W/RECIRCUL PUMP
- 21M WASHER/DRYER PREP
- 21S WASHER & DRYER-PAIR

X-X
 FOR WATER
 CALLOUTS
 SEE DWG NO.
 000209446 /
 303369-01-000

WINNEBAGO [®]		COPYRIGHT 2018 WINNEBAGO INDUSTRIES, INC.	
<small>DSNR:</small>	<small>ALL DIMENSIONS ARE IN MILLIMETERS</small>		
<small>DFTR:</small>			
<small>UNSPECIFIED TOLERANCES:</small>	<small>MATERIAL:</small>		
<small>WHOLE DIM (X)</small> : 3			
<small>ONE-PLACE (X.X)</small> : 1.5			
<small>TWO-PLACE (X.XX)</small> : 0.50			
<small>ANGLE</small> : 1°			
<small>REFER TO ES0018 FOR FASTENER TIGHTENING GUIDELINES</small>		<small>WEIGHT: (LBS)</small>	<small>FIRST USED: (REF)</small>
			19 L38F
DESCRIPTION:			
WATER SYSTEM INSTL			
<small>SHEET:</small>	<small>ITEM/PART NO.:</small>	<small>REV</small>	
1 OF 5	000166613 / 32988101000		
<small>REF:</small>			1 06-Mar-2019



BREAKER-VACUUM,FLUSHING SYS
000030488 / 316731-01-000

FAUCET-GALLEY,SGL,PULL
000036377 / 318317-01-CHT

FAUCET-LAV
187683-01-CHT

DETAIL BC

DETAIL BC

DETAIL BB

DETAIL BE

DETAIL BD

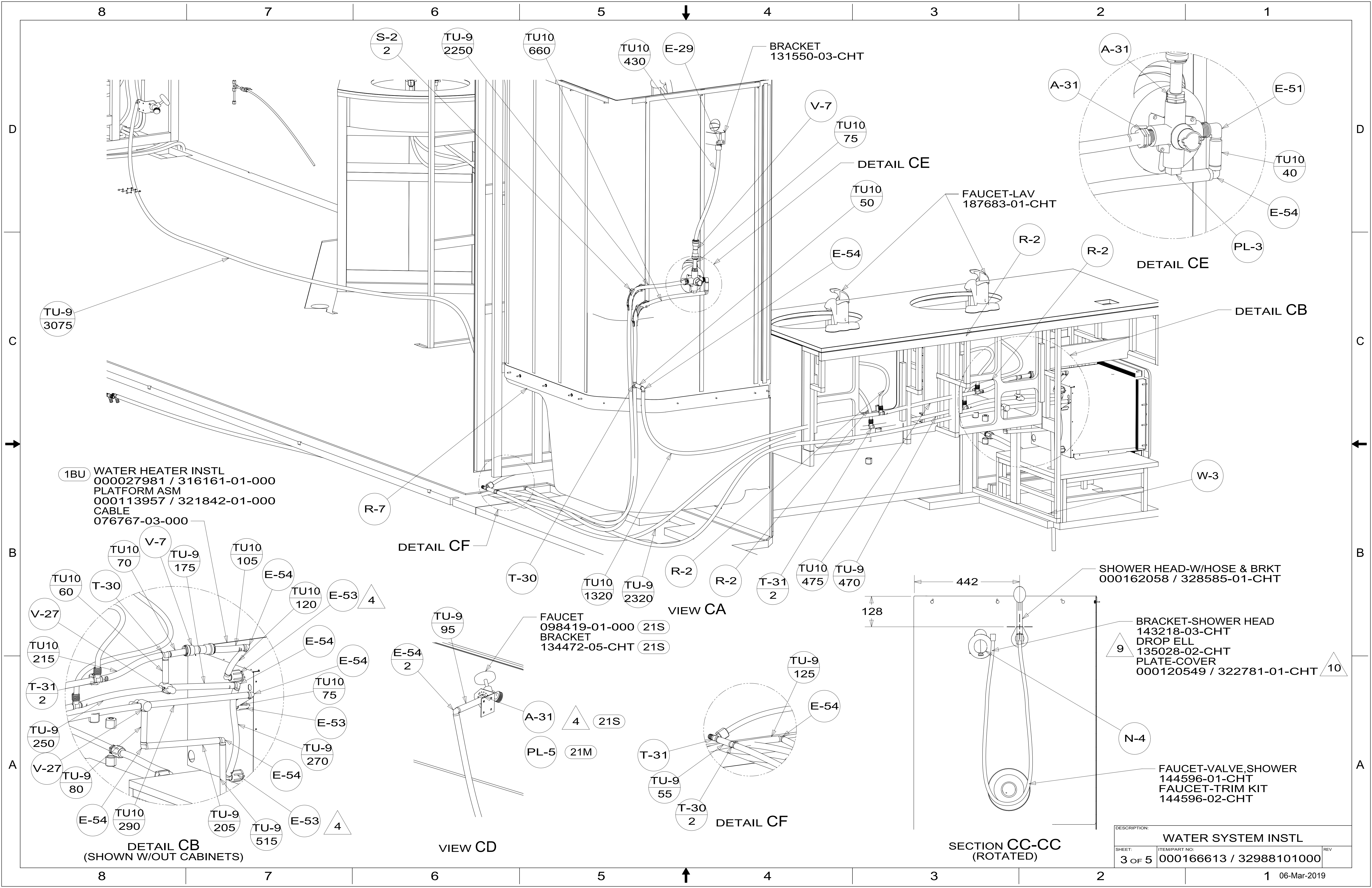
VIEW BA

DETAIL BB

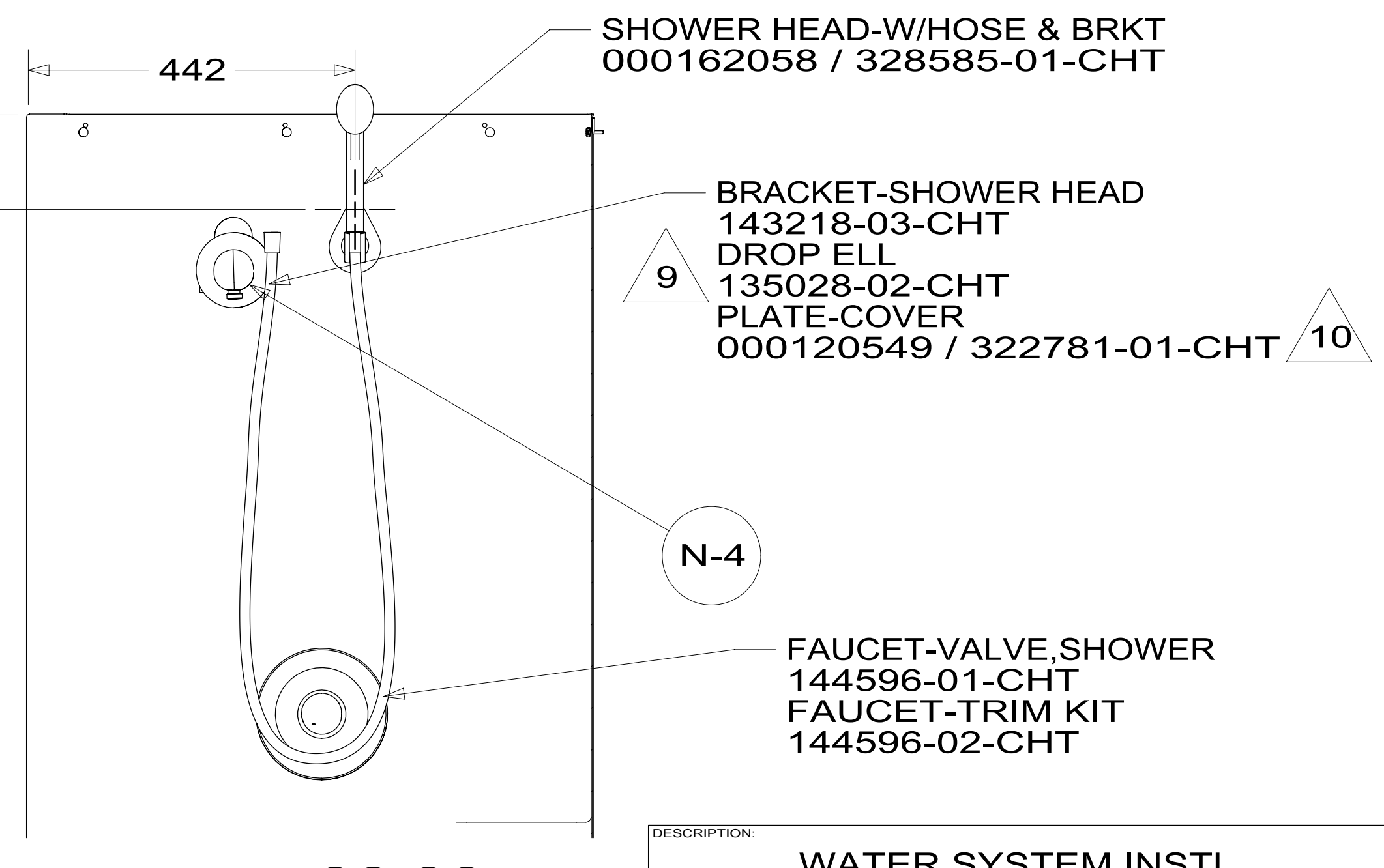
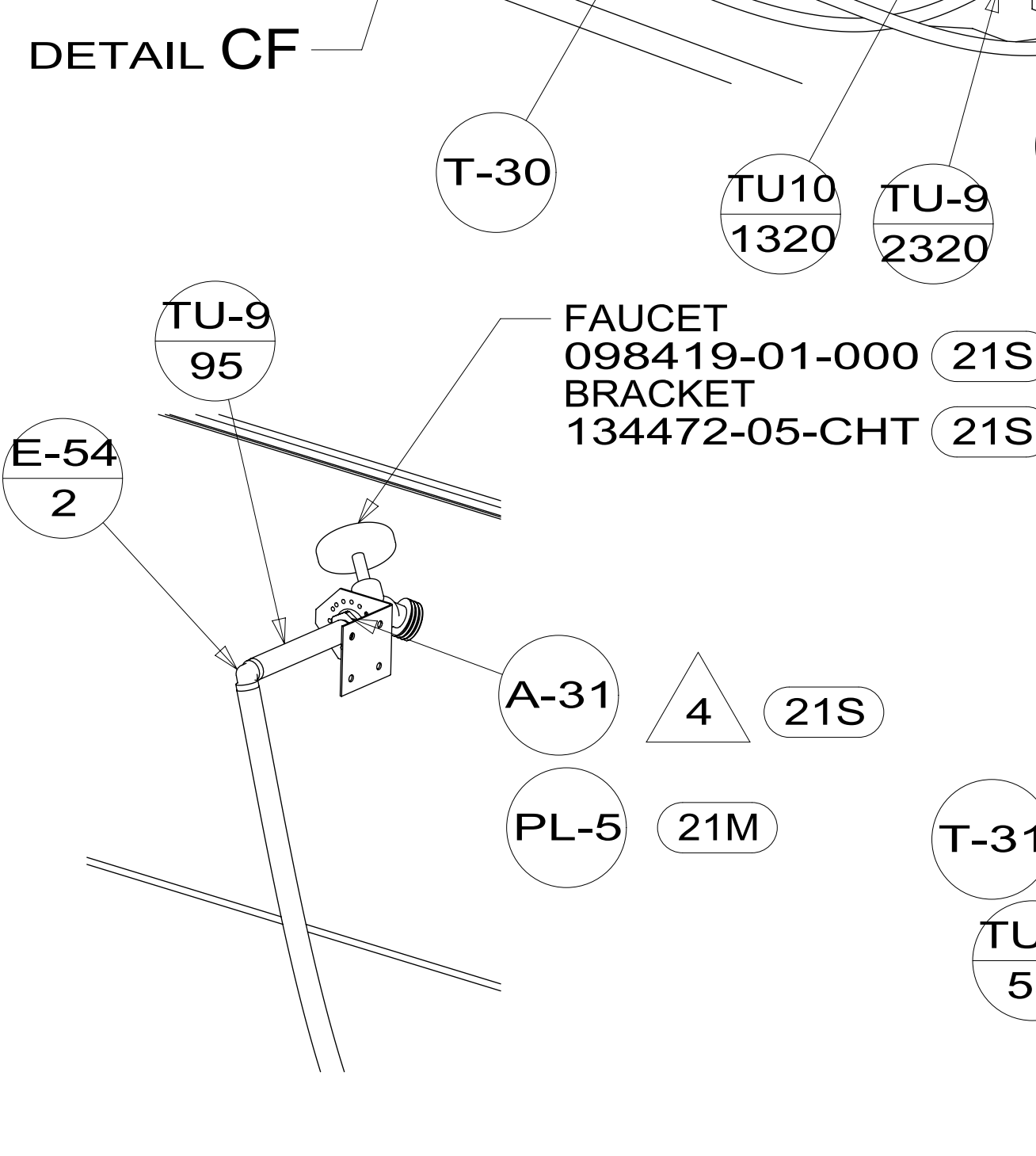
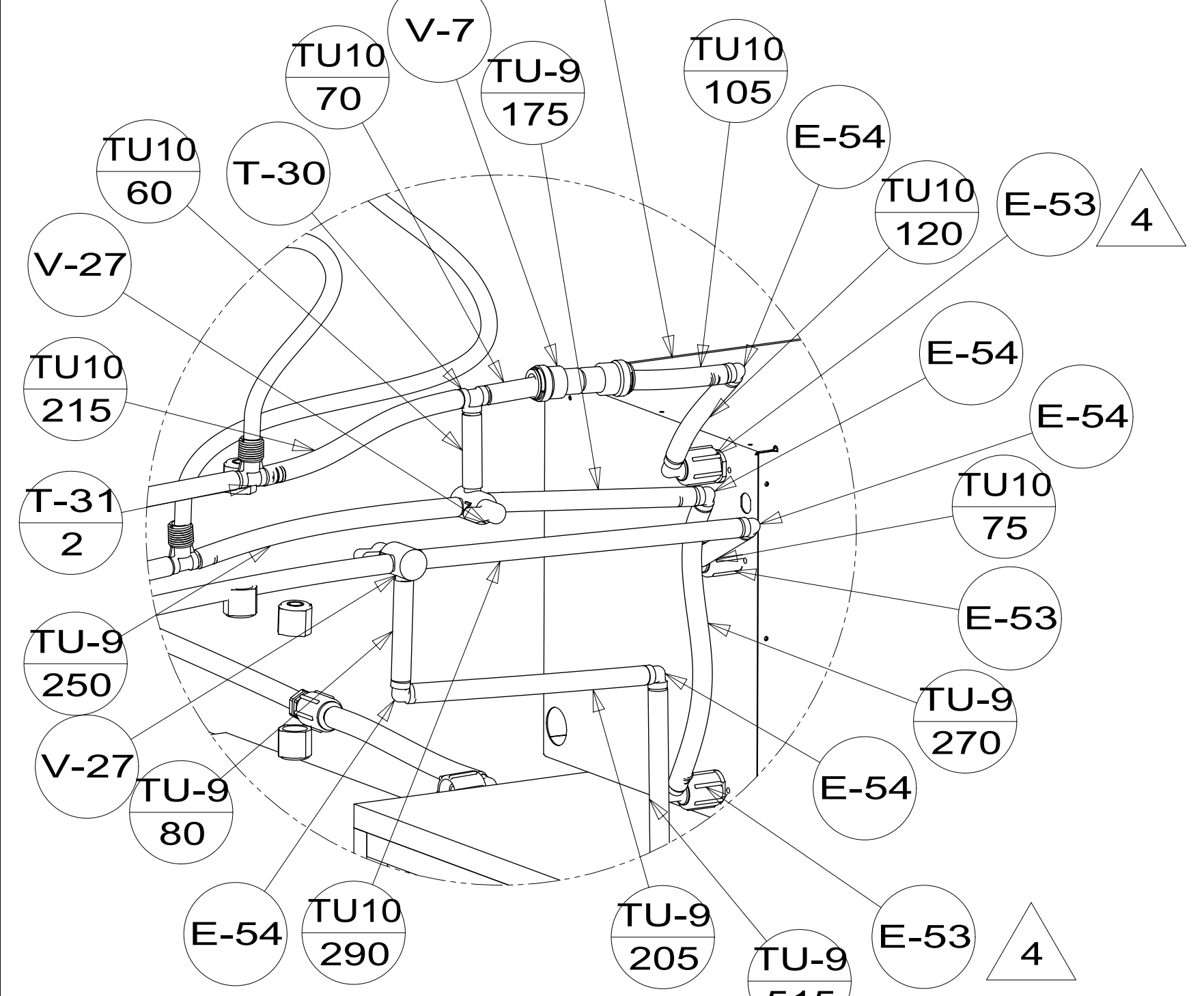
DETAIL BD

DETAIL BE

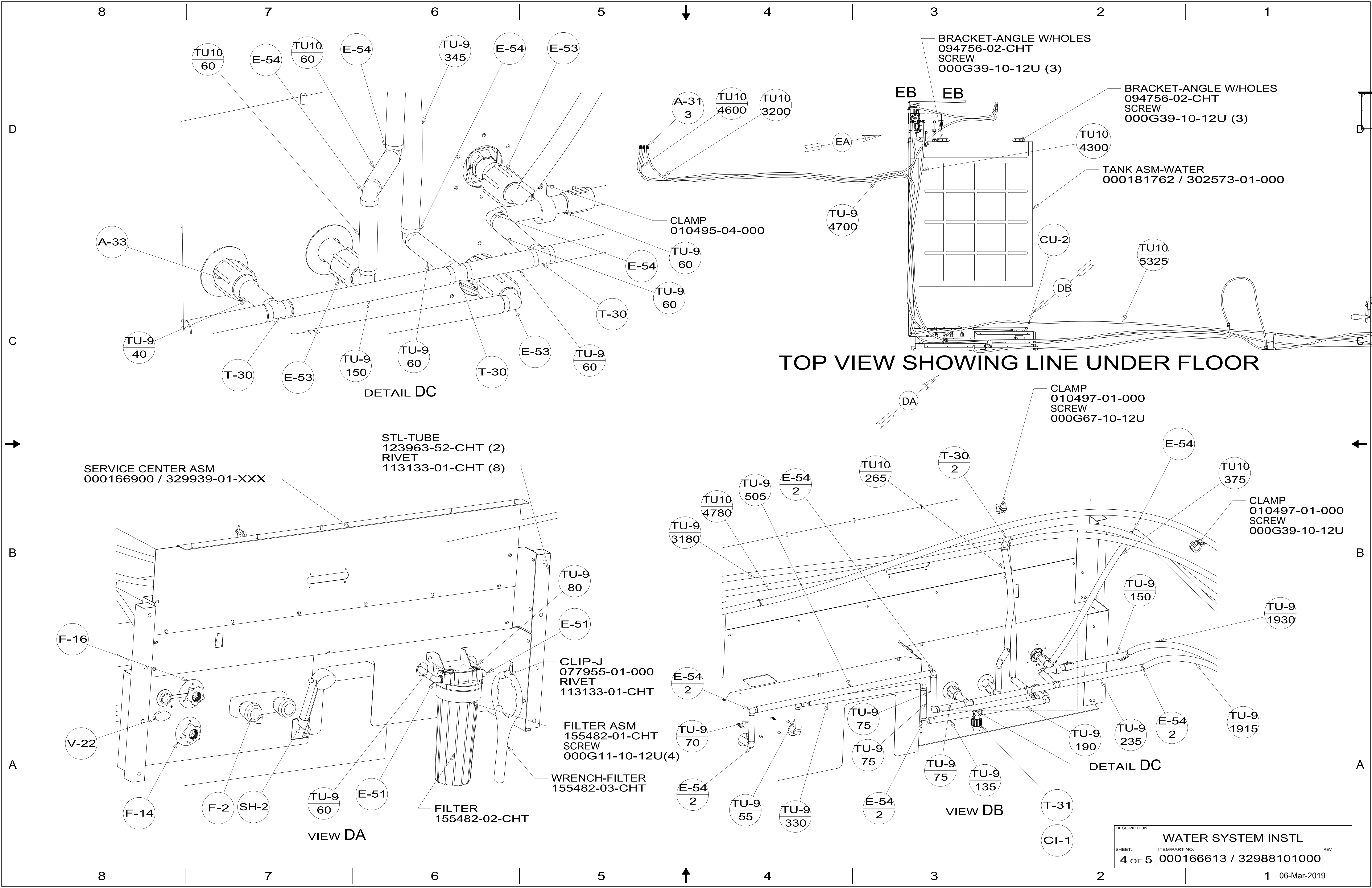
DESCRIPTION:		
WATER SYSTEM INSTL		
SHEET:	ITEM/PART NO.:	REV
2 OF 5	000166613 / 32988101000	



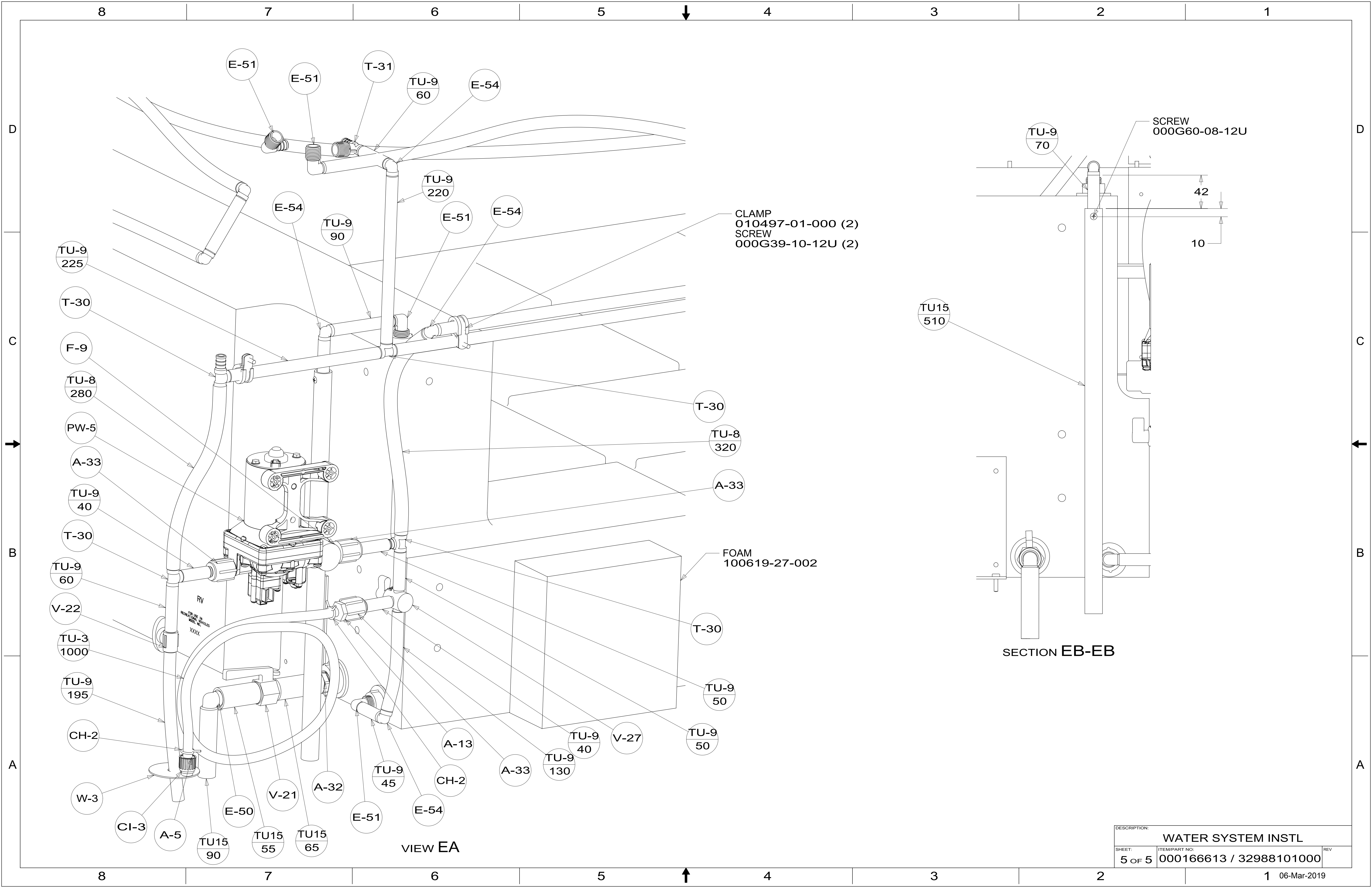
1BU WATER HEATER INSTL
 000027981 / 316161-01-000
 PLATFORM ASM
 000113957 / 321842-01-000
 CABLE
 076767-03-000



DESCRIPTION:		
WATER SYSTEM INSTL		
SHEET:	ITEM/PART NO.:	REV
3 OF 5	000166613 / 32988101000	



DESCRIPTION:		
WATER SYSTEM INSTL		
SHEET:	ITEM/PART NO:	REV
4 OF 5	000166613 / 32988101000	



VIEW EA

SECTION EB-EB

CLAMP
010497-01-000 (2)
SCREW
000G39-10-12U (2)

FOAM
100619-27-002

SCREW
000G60-08-12U

42
10

DESCRIPTION:		
WATER SYSTEM INSTL		
SHEET:	ITEM/PART NO:	REV
5 OF 5	000166613 / 32988101000	