

12 FOR INSTALLATION USE SILICON-ADHESIVE 000162556 / 328744-02-CHT. APPLY ON TOP OF PLATE, PLACE COVER ON, AND PUT ADHESIVE AROUND COVER.

11 VALVE MUST REMAIN OPEN AFTER WATER TEST.

10 INSTALL FAUCET W/OUT BASEPLATE.

9 ELBOW TO BE TURN 45° BELOW HORIZONTAL LINE.

8. ALL CRIMP FITTINGS TO 1/2" PEX TUBING REQUIRE 1/2" CLAMP 000156249 / 326670-01-000.

7. ALL CRIMP FITTINGS TO 5/8" PEX TUBING REQUIRE 5/8" CLAMP 000156248 / 326669-01-000.

6 LABEL HOT AND COLD SUPPLY TUBES AND TAPE FITTING TO TUBE BEFORE CABINET SET TO PREVENT MOVEMENT.

5 ADD PIPE WRAP (LADDER SCRAP 110157-02-000) INSULATION.

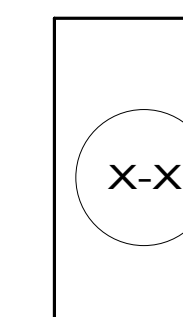
4 ADD TEFLON TAPE 010405-02-000.

3. ALL TUBING TO BE SECURED AT 1200 INTERVALS MAXIMUM WITH CLAMP 010495-01-000 AND SCREW 000G67-10-12U OR EQUIVALENT.

2. TUBING TO BE INSTALLED WITH SUFFICIENT SLOPE TO PROVIDE DRAINAGE TO NEAREST VALVE.

1. PLASTIC FITTINGS TO BE SEALED WITH SEALANT 084456-01-000.

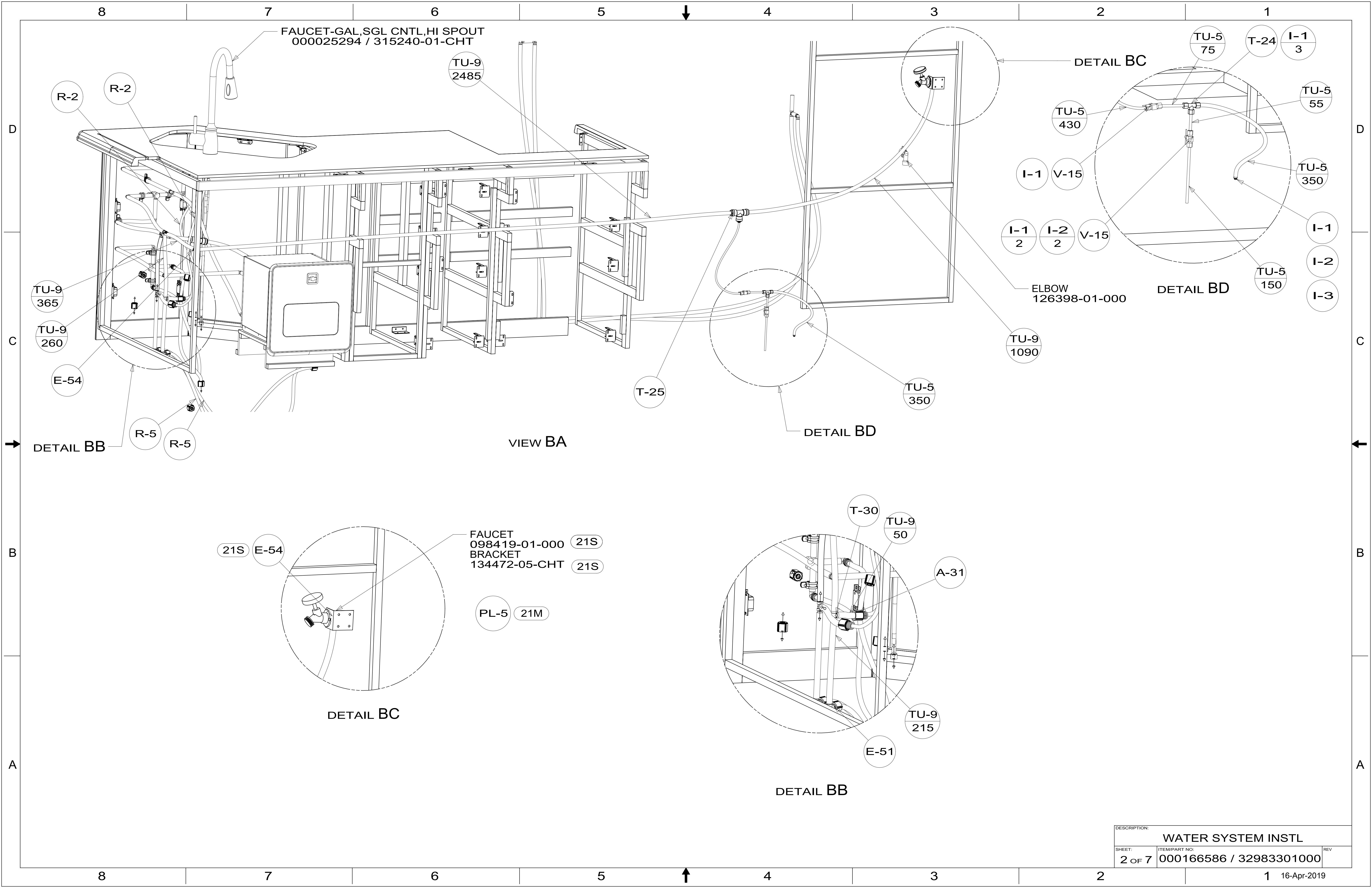
NOTES:



FOR WATER CALLOUTS SEE DWG NO. 000209446 / 303369-01-000

- 53E** WATER SYS WINTERIZATION PKG
- 53K** WTR HTR-10GAL/ELECTRIC/LPGAS
- 1BU** WTR HTR TKLS W/RECIRCUL PUMP
- 21S** WASHER & DRYER-PAIR
- 21M** WASHER/DRYER PREP

WINNEBAGO COPYRIGHT 2018 WINNEBAGO INDUSTRIES, INC.		
DSNR:	ALL DIMENSIONS ARE IN MILLIMETERS	
DIFFR:		
UNSPECIFIED TOLERANCES:		MATERIAL:
WHOLE DIM (X)	3	
ONE-PLACE (X.X)	1.5	
TWO-PLACE (X.XX)	0.50	
ANGLE	1°	
REFER TO ES0018 FOR FASTENER TIGHTENING GUIDELINES	WEIGHT: (LBS)	FIRST USED: (REF)
		19 L36G
DESCRIPTION: WATER SYSTEM INSTL		
SHEET: 1 OF 7	ITEM/PART NO: 000166586 / 32983301000	REV:
REF:		1 16-Apr-2019



FAUCET-GAL,SGL CNTL,HI SPOUT
000025294 / 315240-01-CHT

TU-9
2485

DETAIL BC

TU-5 75
T-24
I-1 3

TU-5 430

TU-5 55

I-1 V-15

TU-5 350

I-1 2

I-2 2

V-15

I-1

I-2

I-3

ELBOW
126398-01-000

DETAIL BD

TU-5 150

TU-9 365

TU-9 260

E-54

T-25

TU-5 350

DETAIL BB

R-5

R-5

VIEW BA

DETAIL BD

21S E-54

FAUCET
098419-01-000 21S
BRACKET
134472-05-CHT 21S

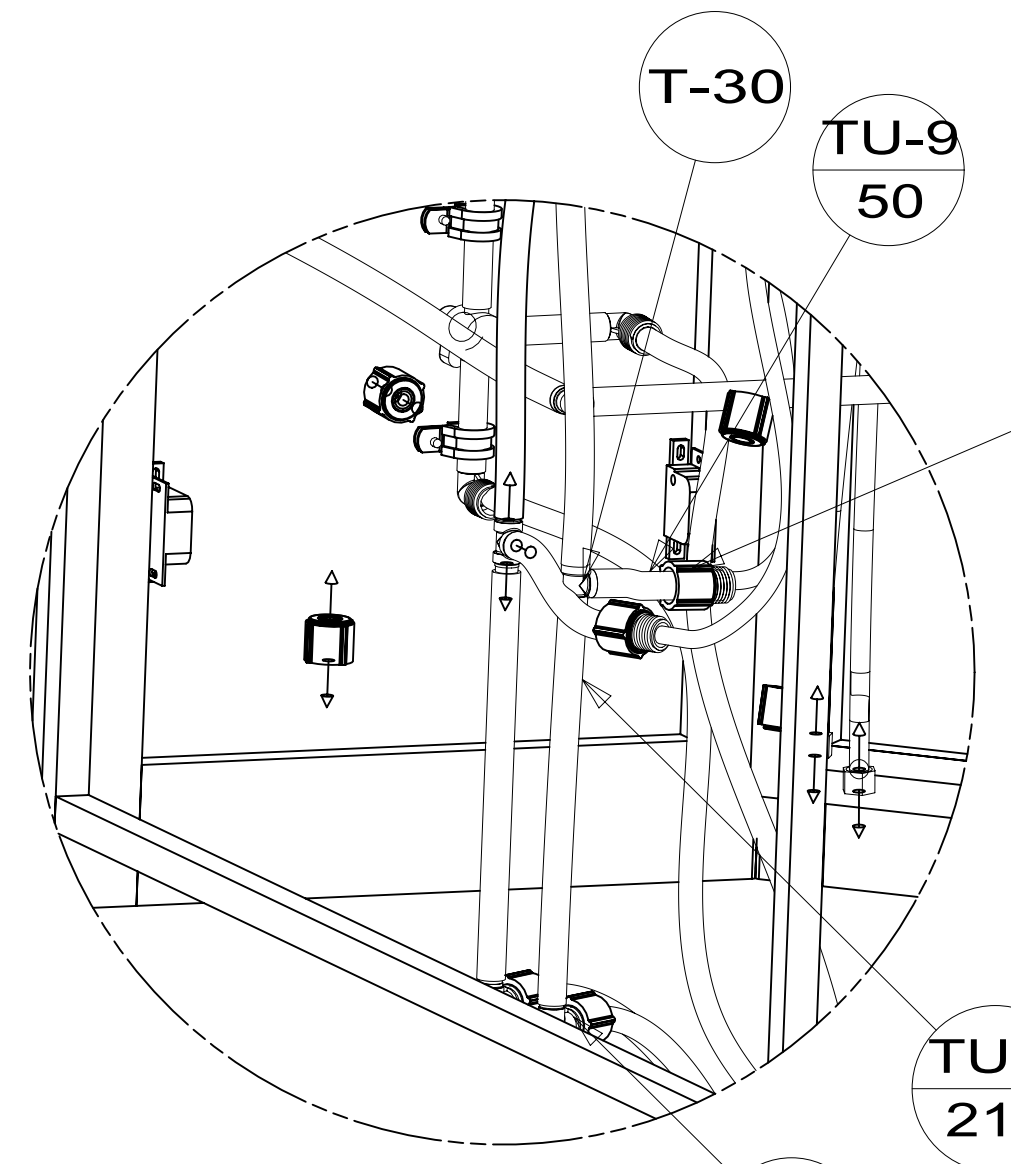
PL-5 21M

T-30

TU-9 50

A-31

DETAIL BC



TU-9 215

E-51

DETAIL BB

DESCRIPTION:		
WATER SYSTEM INSTL		
SHEET:	ITEM/PART NO:	REV
2 OF 7	000166586 / 32983301000	

WATER HEATER INSTL-TRUMA
000027981 / 316161-01-000
PLATFORM ASM-WATER HEATER
155334-02-000

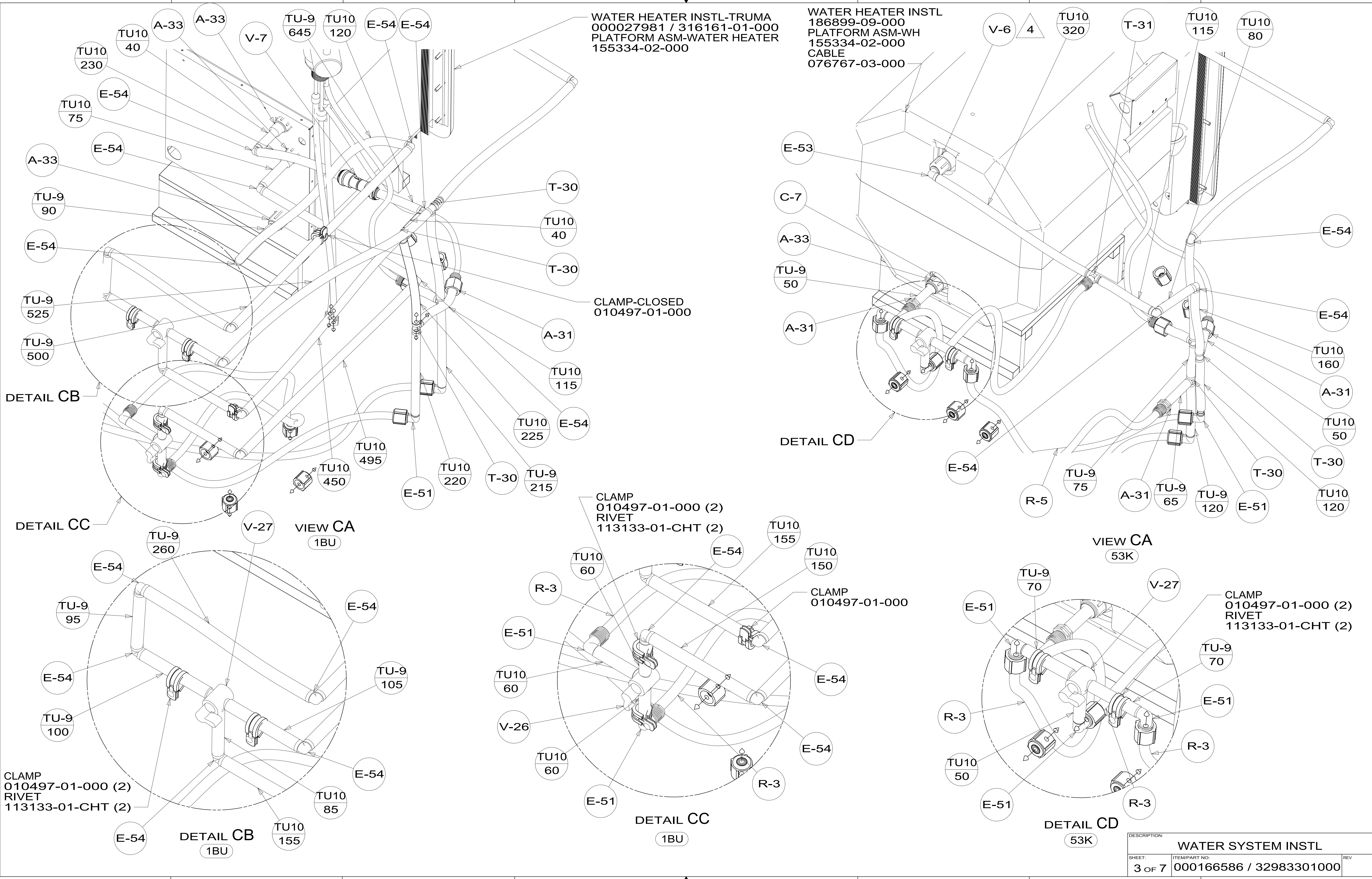
WATER HEATER INSTL
186899-09-000
PLATFORM ASM-WH
155334-02-000
CABLE
076767-03-000

CLAMP-CLOSED
010497-01-000

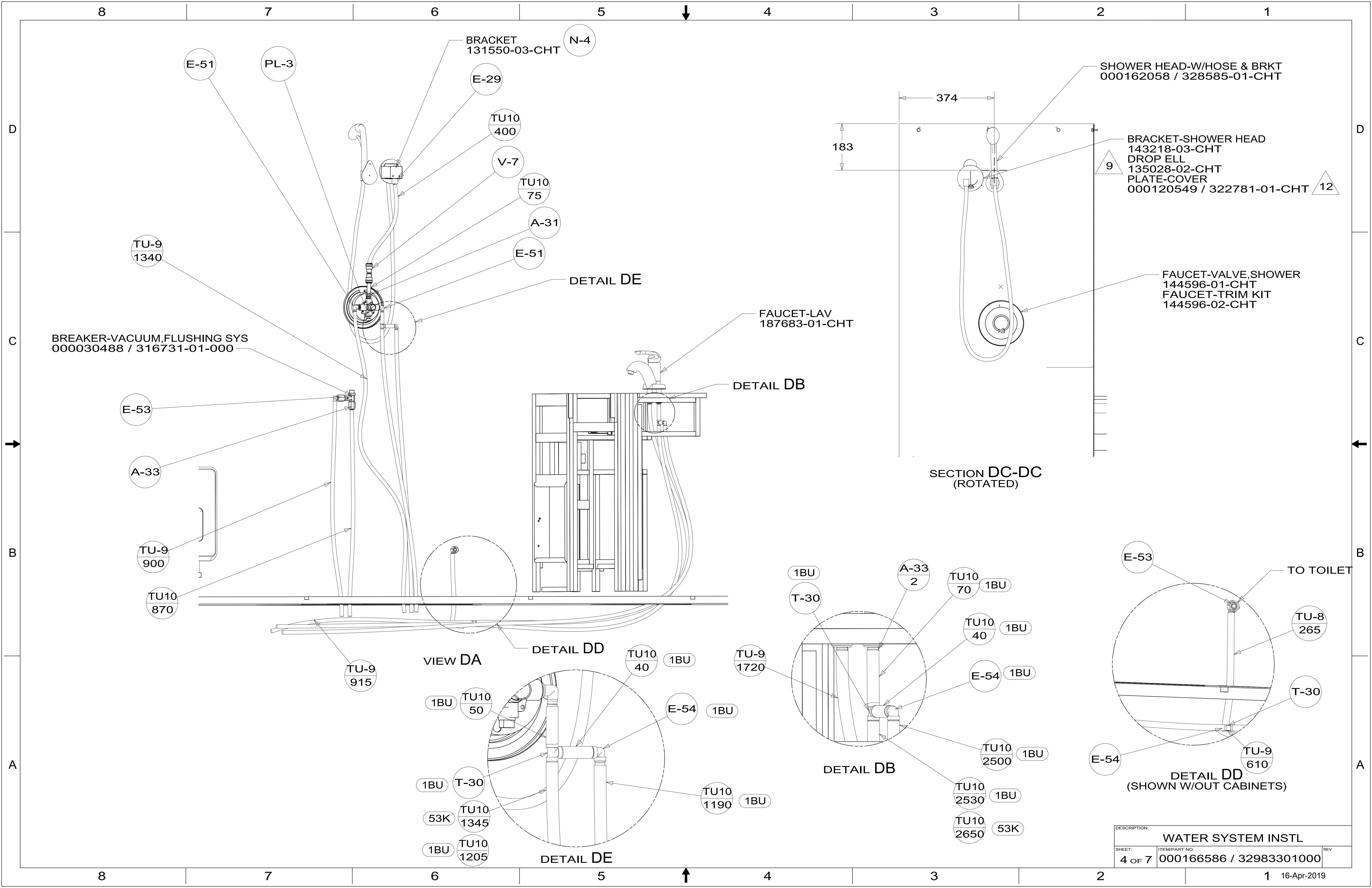
CLAMP
010497-01-000 (2)
RIVET
113133-01-CHT (2)

CLAMP
010497-01-000

CLAMP
010497-01-000 (2)
RIVET
113133-01-CHT (2)



DESCRIPTION:		
WATER SYSTEM INSTL		
SHEET:	ITEM/PART NO:	REV:
3 OF 7	000166586 / 32983301000	



BREAKER-VACUUM, FLUSHING SYS
000030488 / 316731-01-000

374
183

SHOWER HEAD-W/HOSE & BRKT
000162058 / 328585-01-CHT

BRACKET-SHOWER HEAD
143218-03-CHT
DROP ELL
135028-02-CHT
PLATE-COVER
000120549 / 322781-01-CHT

FAUCET-VALVE, SHOWER
144596-01-CHT
FAUCET-TRIM KIT
144596-02-CHT

SECTION DC-DC
(ROTATED)

VIEW DA

1BU TU10 50

1BU T-30

53K TU10 1345

1BU TU10 1205

DETAIL DD

TU10 40 1BU

E-54 1BU

TU10 1190 1BU

DETAIL DE

DETAIL DB

1BU T-30

A-33 2

TU10 70 1BU

TU10 40 1BU

E-54 1BU

TU10 2500 1BU

TU10 2530 1BU

TU10 2650 53K

DETAIL DD
(SHOWN W/OUT CABINETS)

E-53

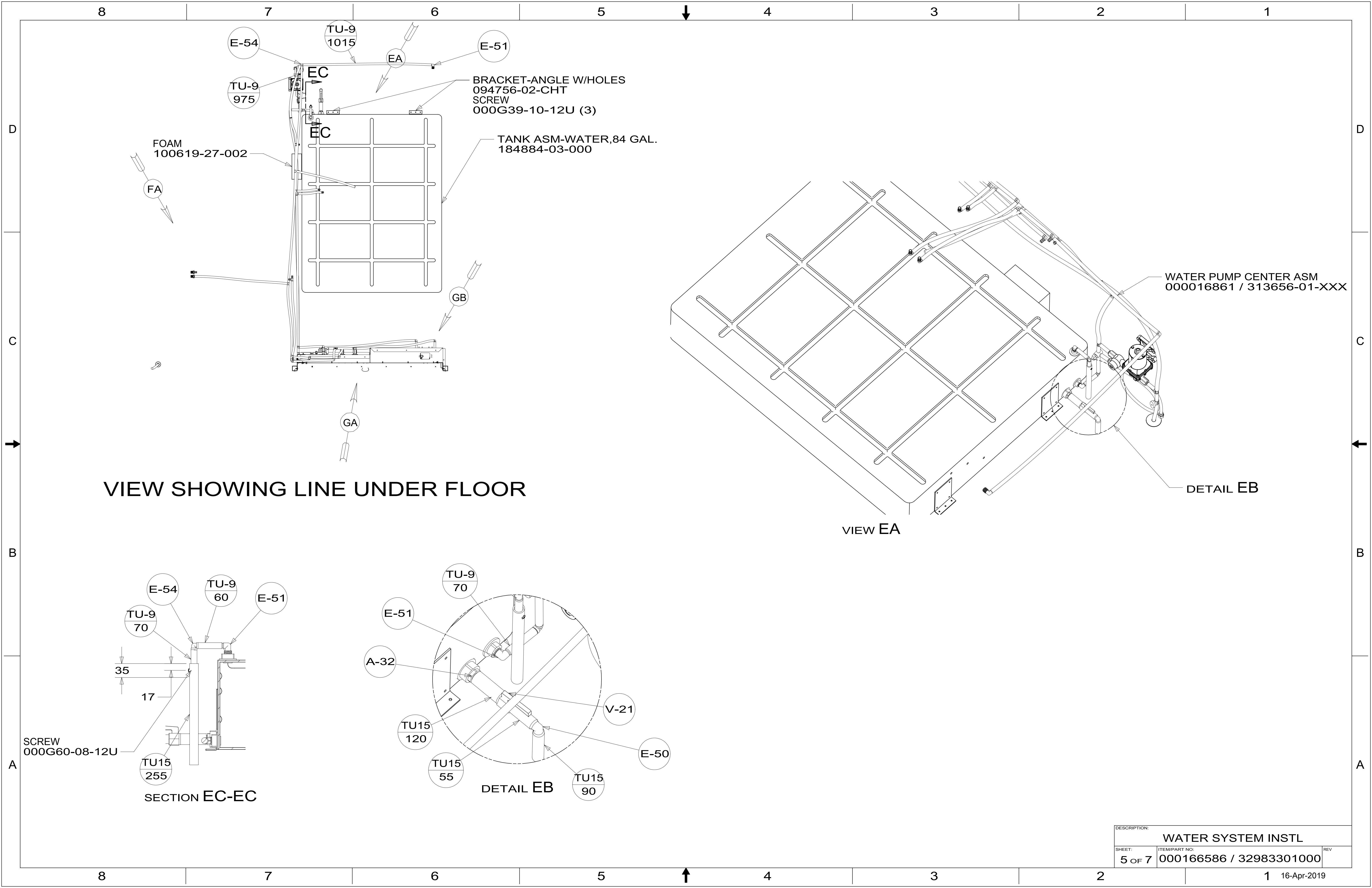
TO TOILET

TU-8 265

T-30

TU-9 610

DESCRIPTION: WATER SYSTEM INSTL		
SHEET: 4 OF 7	ITEM/PART NO: 000166586 / 32983301000	REV
16-Apr-2019		



E-54 TU-9 1015 EA E-51

TU-9 975 EC EC

FA

GB

GA

VIEW SHOWING LINE UNDER FLOOR

WATER PUMP CENTER ASM
000016861 / 313656-01-XXX

DETAIL EB

VIEW EA

E-54 TU-9 60 E-51
TU-9 70
35
17

SCREW
000G60-08-12U

TU15 255

SECTION EC-EC

TU-9 70 E-51
A-32 V-21
TU15 120 E-50
TU15 55 TU15 90

DETAIL EB

DESCRIPTION: WATER SYSTEM INSTL		
SHEET: 5 OF 7	ITEM/PART NO: 000166586 / 32983301000	REV

