

- NOTES:**
- 12. REQUIRES 5 GALLONS RV ANTIFREEZE 182955-01-000 PER TOLIET. FOLLOW TECMA TOLIET WINTERIZATION PROCEDURE.
 - 11. GLUE FITTING AFTER CABINET IS INSTALLED.
 - 10. APPLY PRIMER 126427-02-000 AND CEMENT 126427-01-000 BETWEEN ELBOW AND FLEX PIPE.
 - 9. SEE DRAWING 061607 FOR INSTALLATION OF GROMMETS.
 - 8. SECURE DRAINAGE PIPES TO CABINET USING WIRE TIE 108046-02-000, AND SCREW 000G67-10-12U AT INTERVALS OF NOT OF NOT MORE THAN 4 FEET APART.
 - 7. SECURE VENT PIPE TO GROMMET WITH CLAMP 000156237 / 326663-02-000.
 - 6. VENT PIPE MUST PROJECT 51 MIN AND 64 MAX ABOVE ROOF FOR PROPER FIT AND FUNCTION. ADD S-1 (000156099 / 326607-01-CHT SEAL-VENT PIPE) AROUND PIPE ON ROOF BEFORE VENT CAP IS INSTALLED.
 - 5. SEAL AROUND SHOWER WITH SILICONE.
 - 4. USE SMOOTH PLUMBERS PUTTY 167459-01-000 TO SEAL STRAINER (0.2 PER STRAINER).
 - 3. ALL PIPE AND FITTINGS TO BE ASSEMBLED WITH SOLVENT 004020-01-000 (USA), 004020-02-000 (CAN)
 - 2. SLOPE OF TRAP ARM MUST BE 6 PER 305 mm.
 - 1. SLOPE OF HORIZONTAL PIPING TO BE MINIMUM OF 3 PER 305 mm.

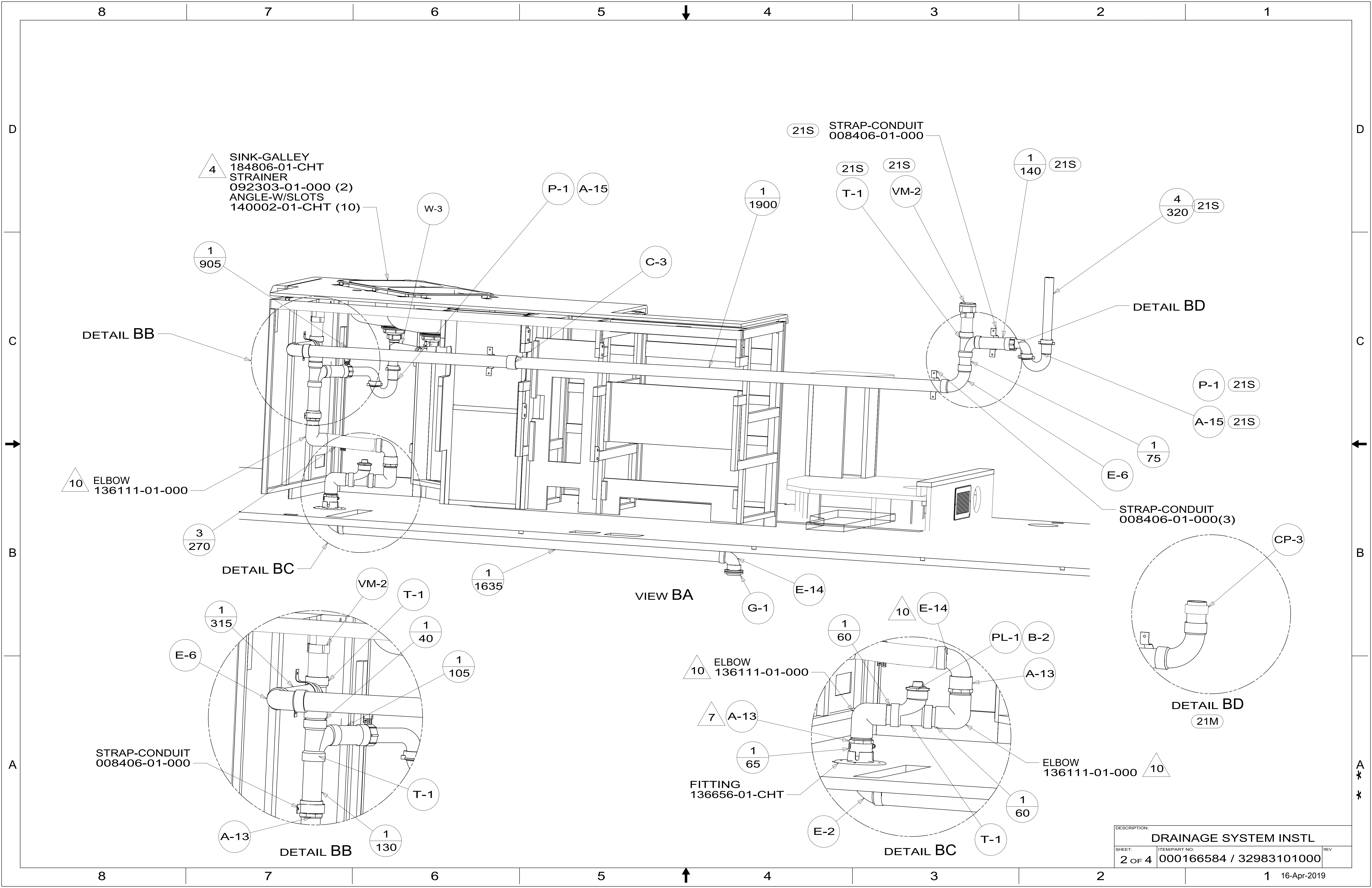
- 21S WASHER/DRYER STACKED
- 21M WASHER/DRYER PREP

X-X

FOR
WATER
CALLOUTS
SEE DWG NO.
000209446 /
303369-01-000

WINNEBAGO[®]
COPYRIGHT 2018 WINNEBAGO INDUSTRIES, INC.

DSNR:		ALL DIMENSIONS ARE IN MILLIMETERS	
DFTR:			
UNSPECIFIED TOLERANCES:		MATERIAL:	
WHOLE DIM (X)	± 3		
ONE-PLACE (X.X)	± 1.5		
TWO-PLACE (X.XX)	± 0.50		
ANGLE	± 1°		
REFER TO ES0018 FOR FASTENER TIGHTENING GUIDELINES		WEIGHT: (LBS)	FIRST USED: (REF)
			19 L36G
DESCRIPTION:			
DRAINAGE SYSTEM INSTL			
SHEET:	ITEM/PART NO.:	REV:	
1 OF 4	000166584 / 32983101000		



4 SINK-GALLEY
184806-01-CHT
STRAINER
092303-01-000 (2)
ANGLE-W/SLOTS
140002-01-CHT (10)

21S STRAP-CONDUIT
008406-01-000

DETAIL BB

DETAIL BD

10 ELBOW
136111-01-000

STRAP-CONDUIT
008406-01-000(3)

DETAIL BC

VIEW BA

DETAIL BD

STRAP-CONDUIT
008406-01-000

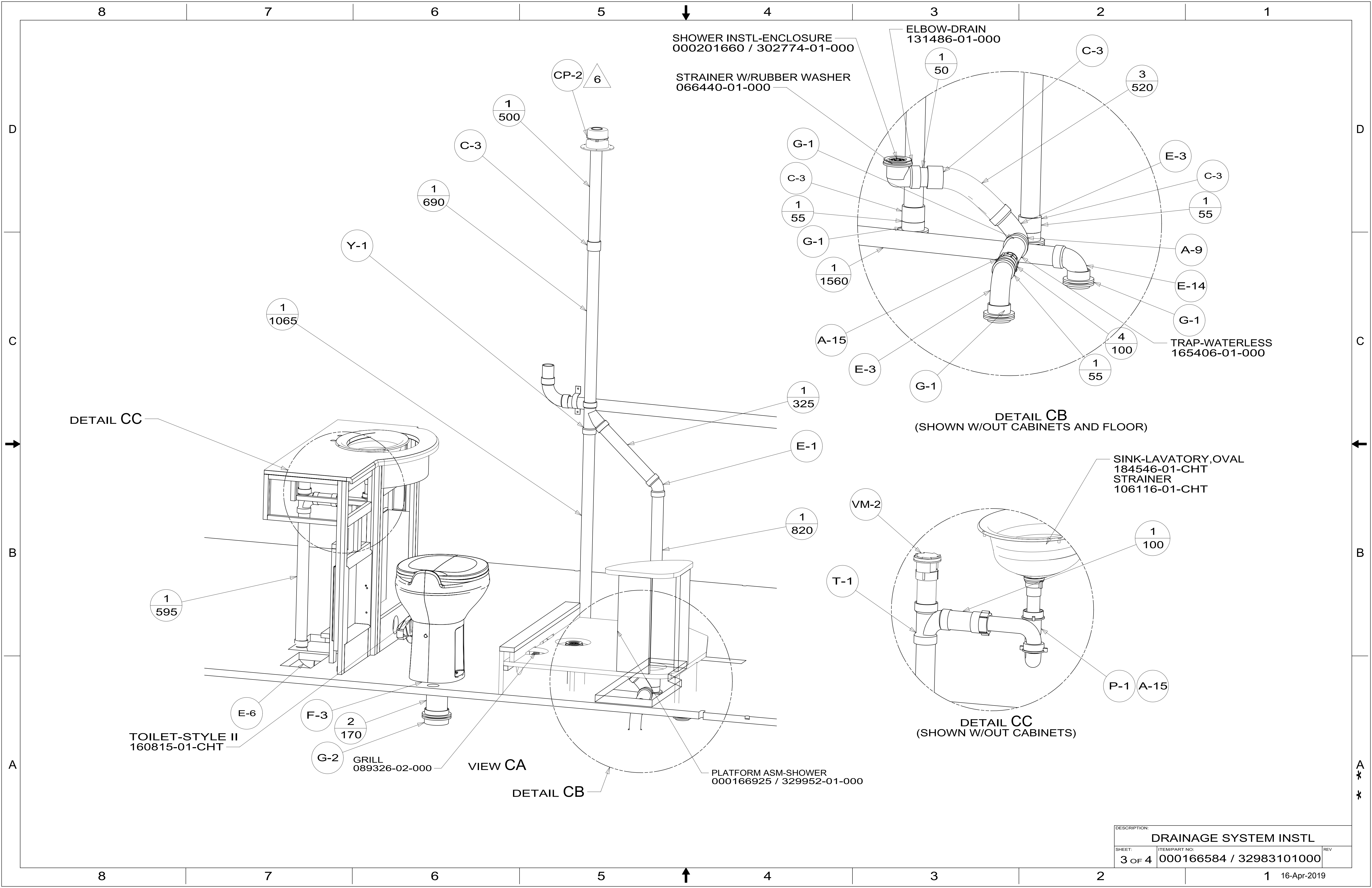
10 ELBOW
136111-01-000

ELBOW
136111-01-000

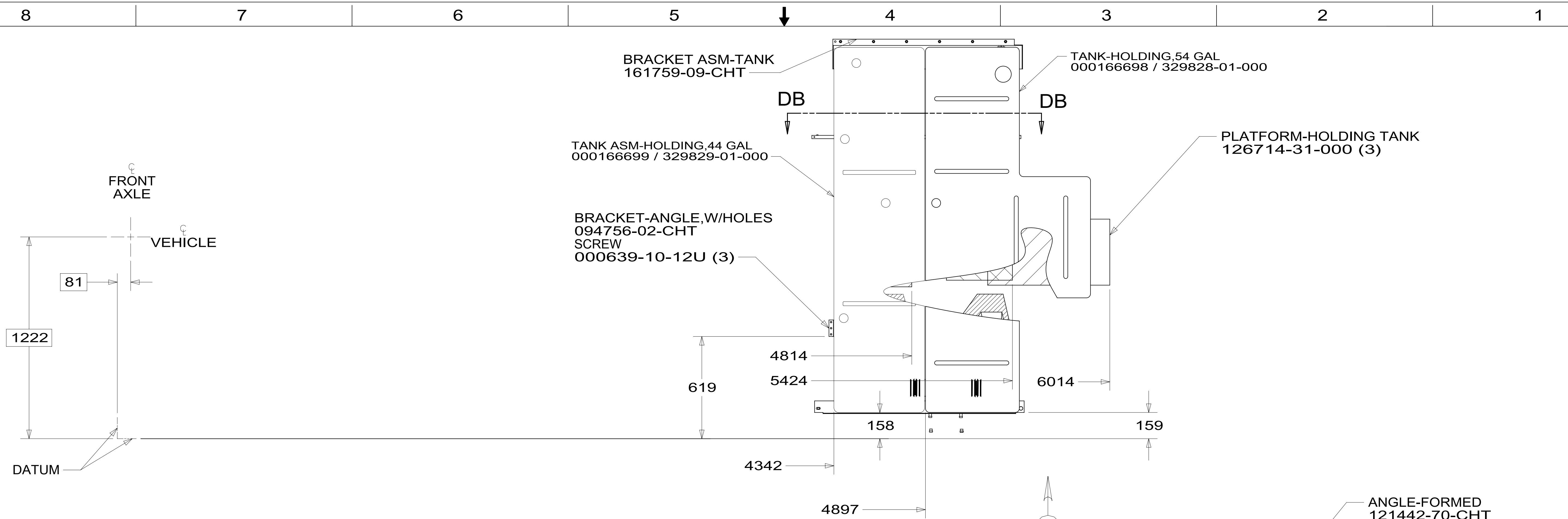
DETAIL BB

DETAIL BC

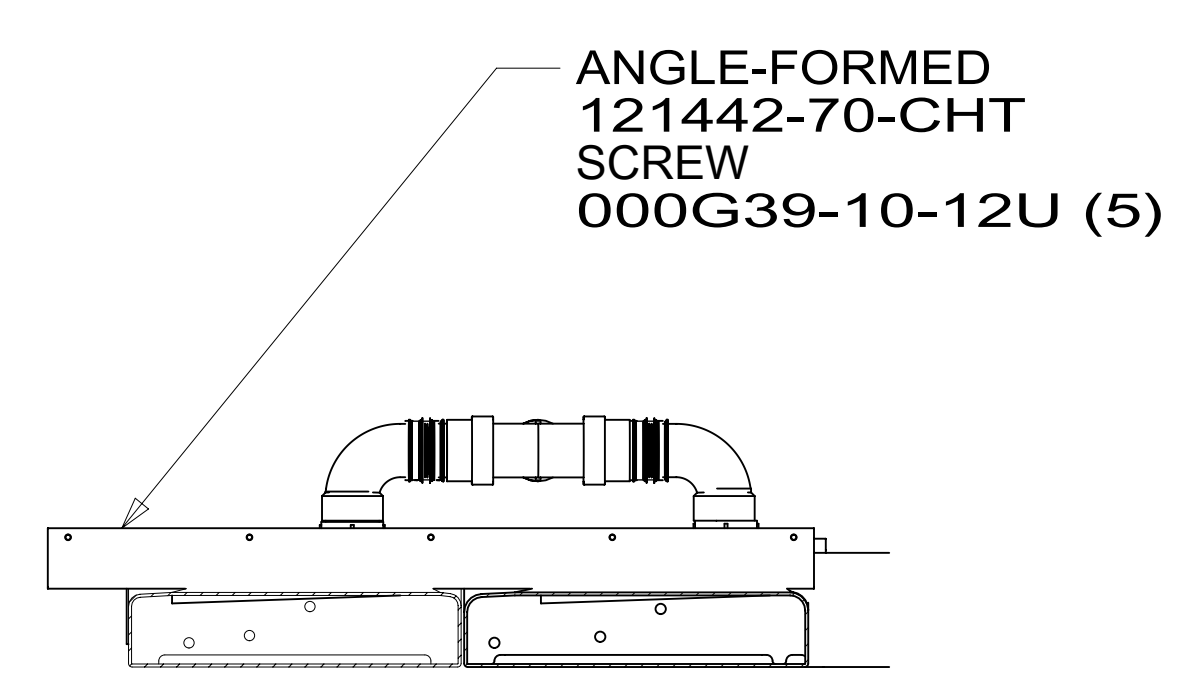
DESCRIPTION: DRAINAGE SYSTEM INSTL		
SHEET: 2 OF 4	ITEM/PART NO: 000166584 / 32983101000	REV



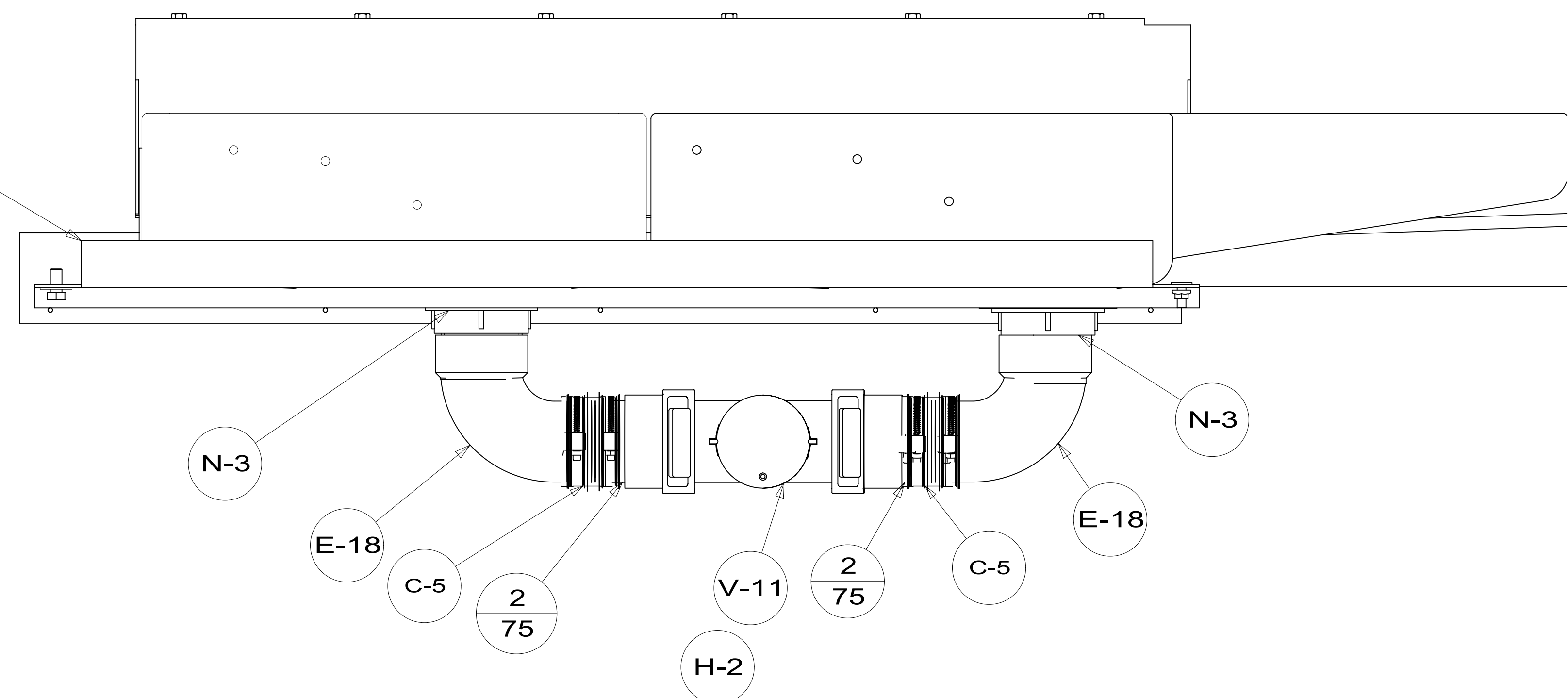
DESCRIPTION:		
DRAINAGE SYSTEM INSTL		
SHEET:	ITEM/PART NO.:	REV
3 OF 4	000166584 / 32983101000	



TOP VIEW SHOWING TANKS AND DRAINS



- BRACKET ASM-TANK, HOLDING
162818-03-CHT
- BOLT
000C12-08-16U (2)
- WASHER-LOCK
000E11-08-00U (2)
- WASHER
000E13-22-00U (2)
- NUT
000D39-06-00U (2)



DESCRIPTION: DRAINAGE SYSTEM INSTL		
SHEET: 4 OF 4	ITEM/PART NO: 000166584 / 32983101000	REV
16-Apr-2019		