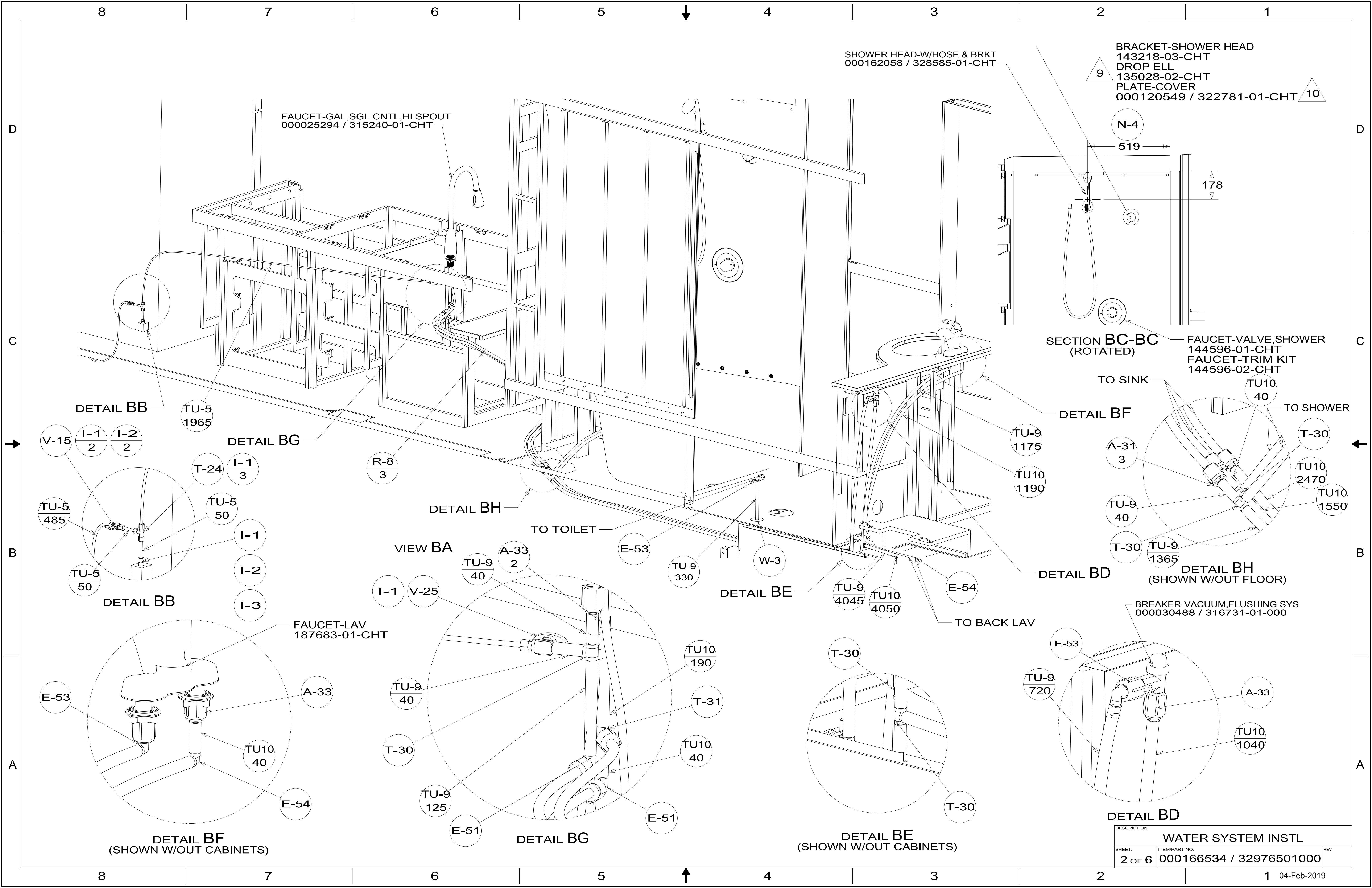


- 21M WASHER/DRYER PREP
- 21S WASHER & DRYER-PAIR

WINNEBAGO[®]		COPYRIGHT 2018 WINNEBAGO INDUSTRIES, INC.	
DSNR:		ALL DIMENSIONS ARE IN MILLIMETERS	
DFTR:			
UNSPECIFIED TOLERANCES:	MATERIAL:		
WHOLE DIM (X) ± 3			
ONE-PLACE (X.X) ± 1.5			
TWO-PLACE (X.XX) ± 0.50			
ANGLE ± 1°			
REFER TO ES0018 FOR FASTENER TIGHTENING GUIDELINES		WEIGHT: (LBS)	FIRST USED: (REF)
			19 L38W
DESCRIPTION: WATER SYSTEM INSTL			
SHEET: 1 OF 6	ITEM/PART NO: 000166534 / 32976501000	REV:	

FOR WATER CALLOUTS
 SEE DWG NO.
 000209446 /
 303369-01-000

NOTES:



FAUCET-GAL, SGL CNTL, HI SPOUT
00025294 / 315240-01-CHT

SHOWER HEAD-W/HOSE & BRKT
000162058 / 328585-01-CHT

BRACKET-SHOWER HEAD
143218-03-CHT
DROP ELL
135028-02-CHT
PLATE-COVER
000120549 / 322781-01-CHT

N-4

519

178

SECTION BC-BC
(ROTATED)
FAUCET-VALVE, SHOWER
144596-01-CHT
FAUCET-TRIM KIT
144596-02-CHT

TO SINK

TO SHOWER

DETAIL BB

TU-5
1965

DETAIL BG

R-8
3

DETAIL BH

TO TOILET

E-53

DETAIL BE

TU-9
4045

TU-9
4050

TO BACK LAV

DETAIL BD

DETAIL BH
(SHOWN W/OUT FLOOR)

BREAKER-VACUUM, FLUSHING SYS
000030488 / 316731-01-000

V-15
I-1
2 I-2
2

T-24
I-1
3

TU-5
485

TU-5
50

I-1

I-2

I-3

DETAIL BB

VIEW BA

TU-9
40

A-33
2

I-1

V-25

TU-9
40

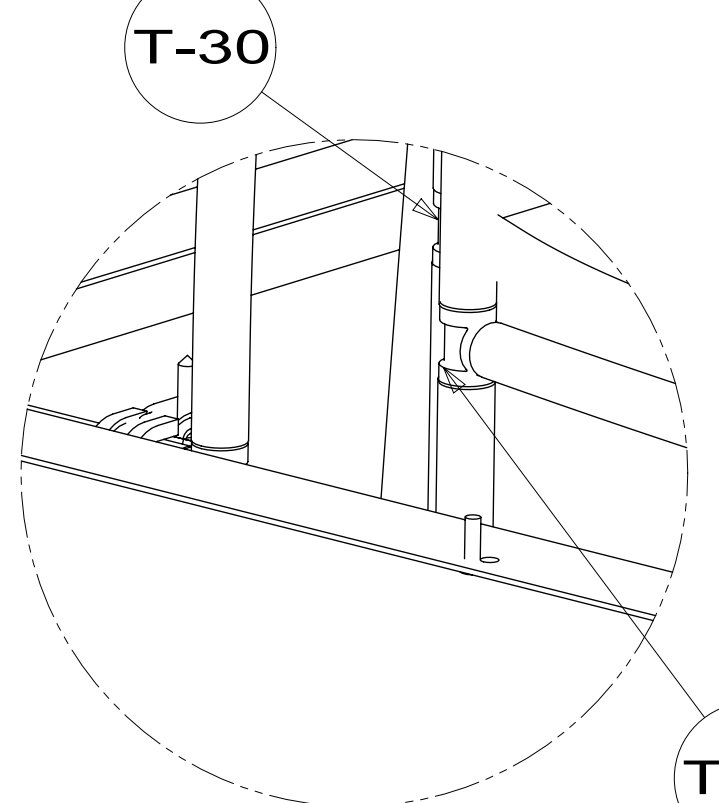
T-30

TU-9
125

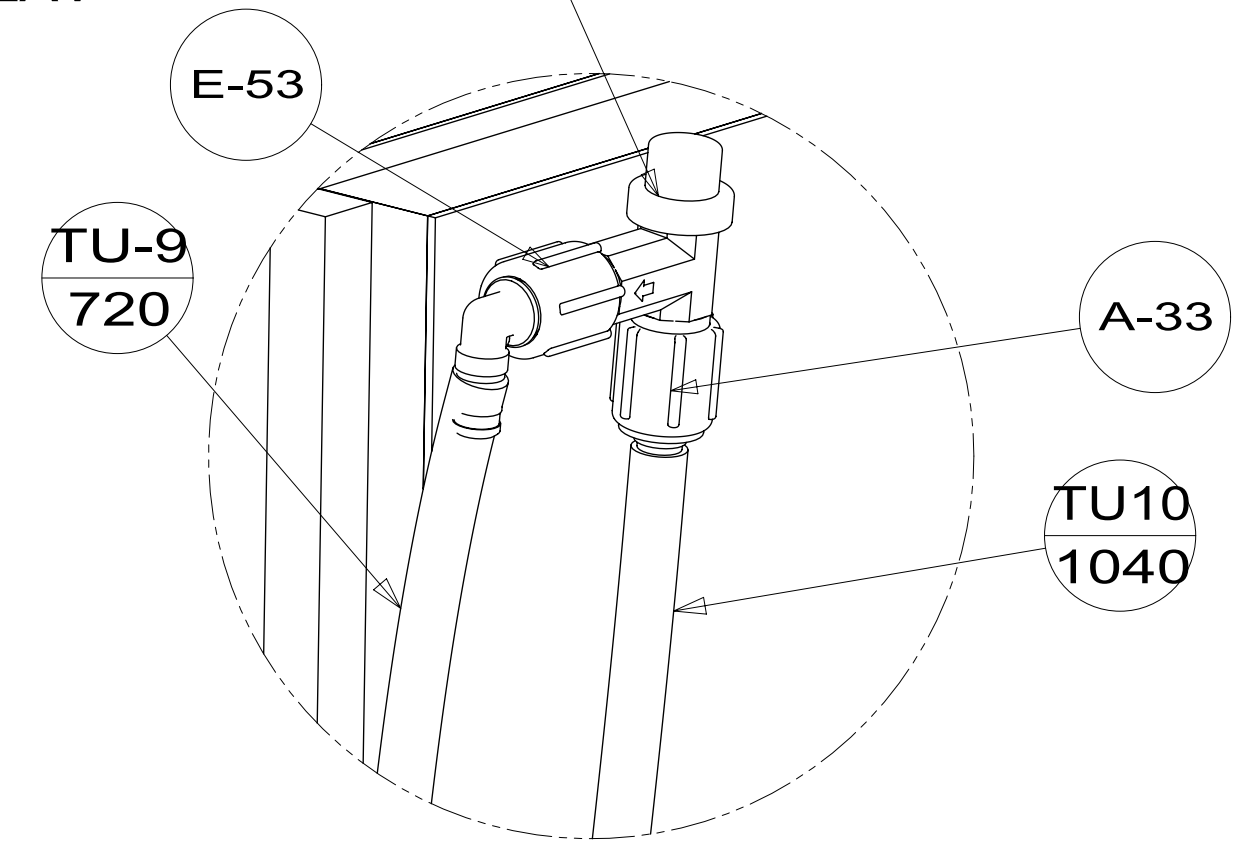
E-51

DETAIL BG

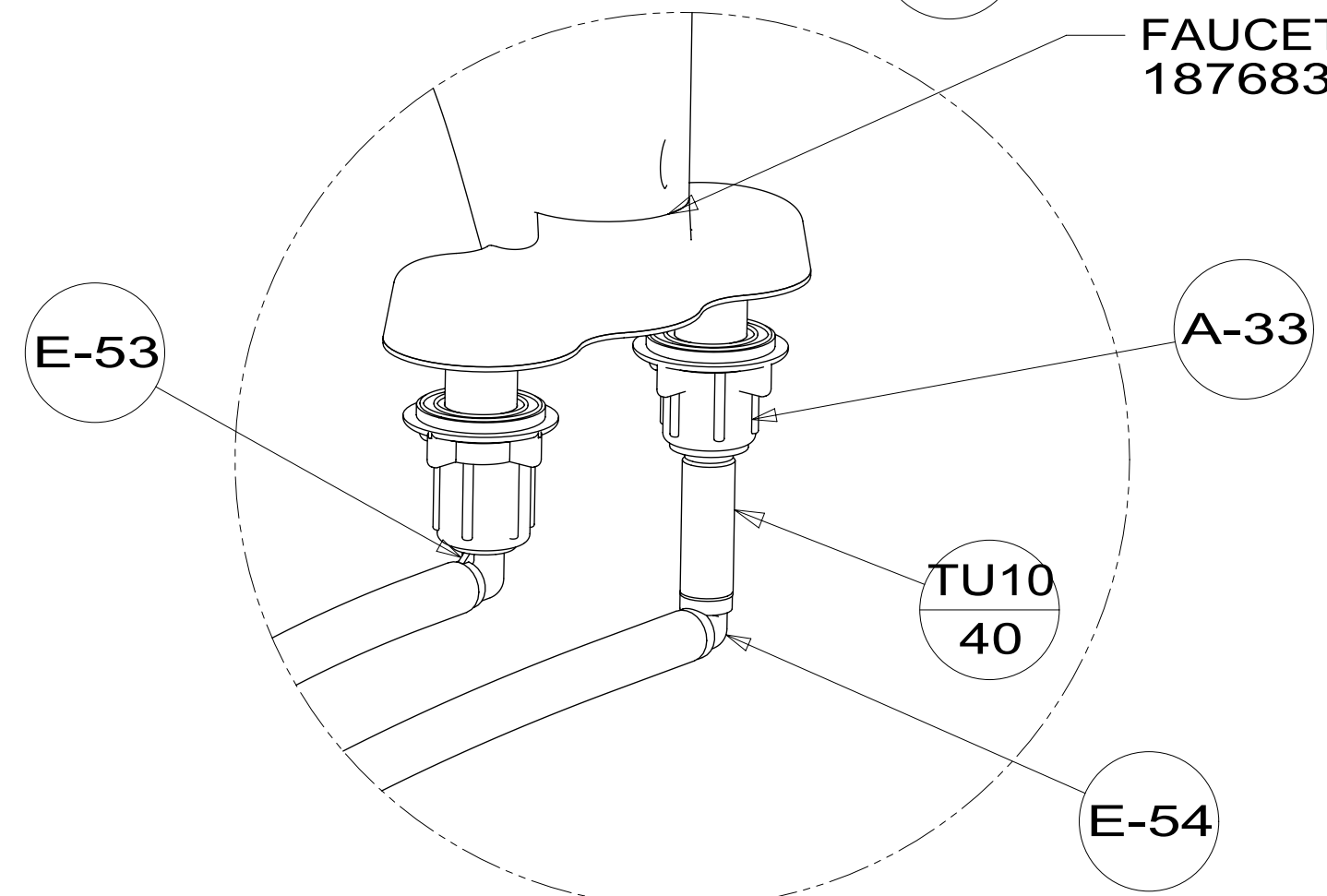
E-51



DETAIL BE
(SHOWN W/OUT CABINETS)

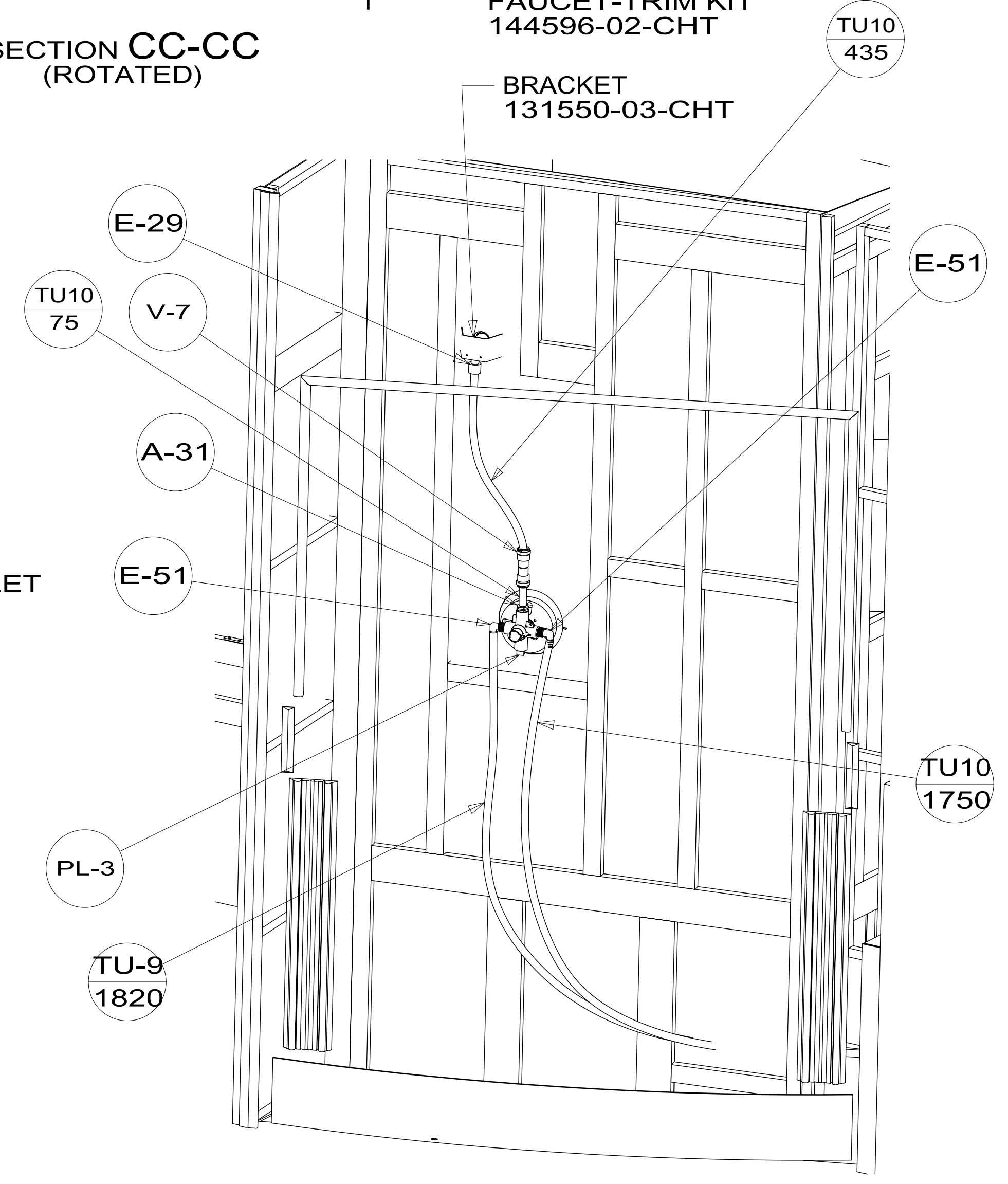
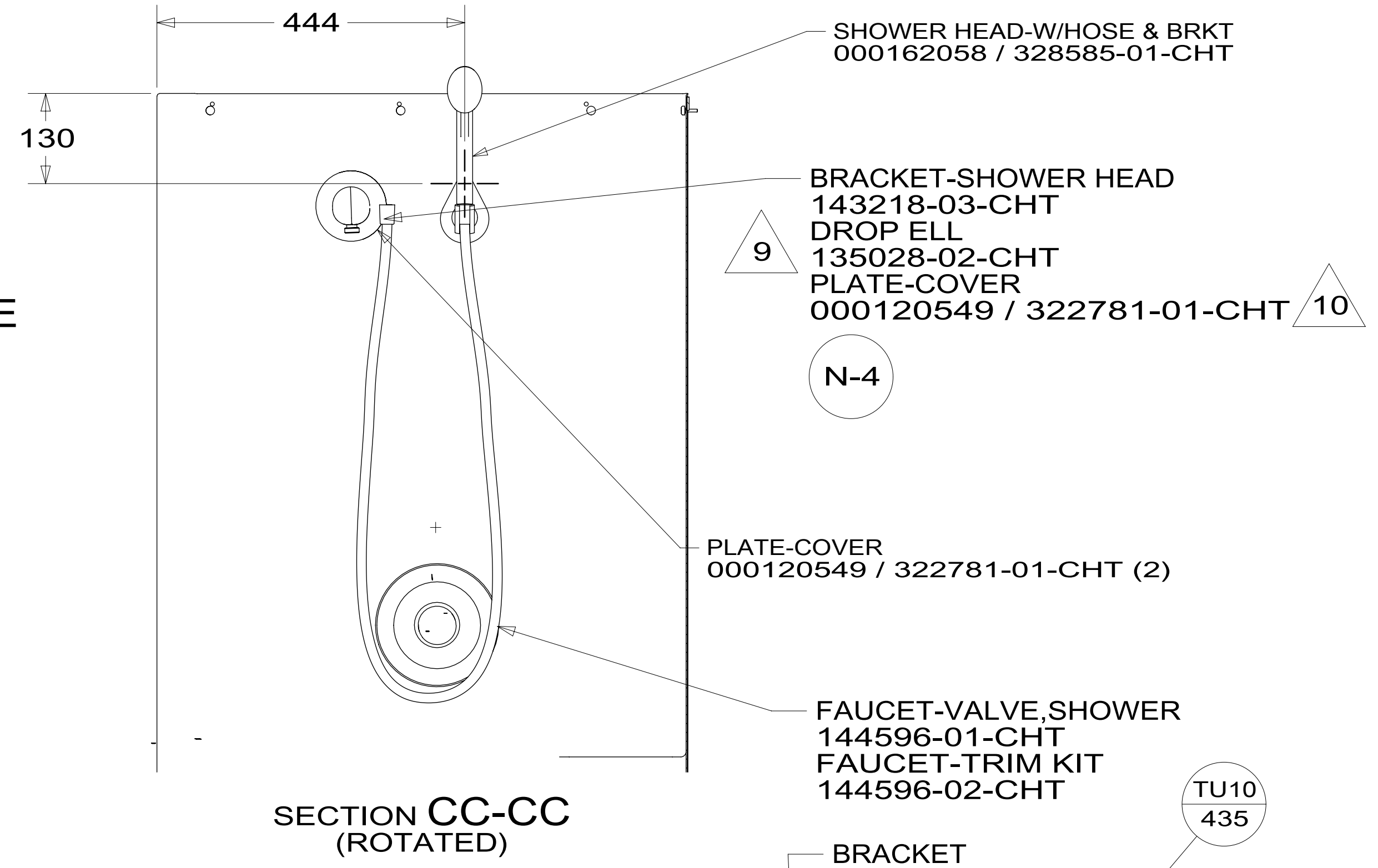
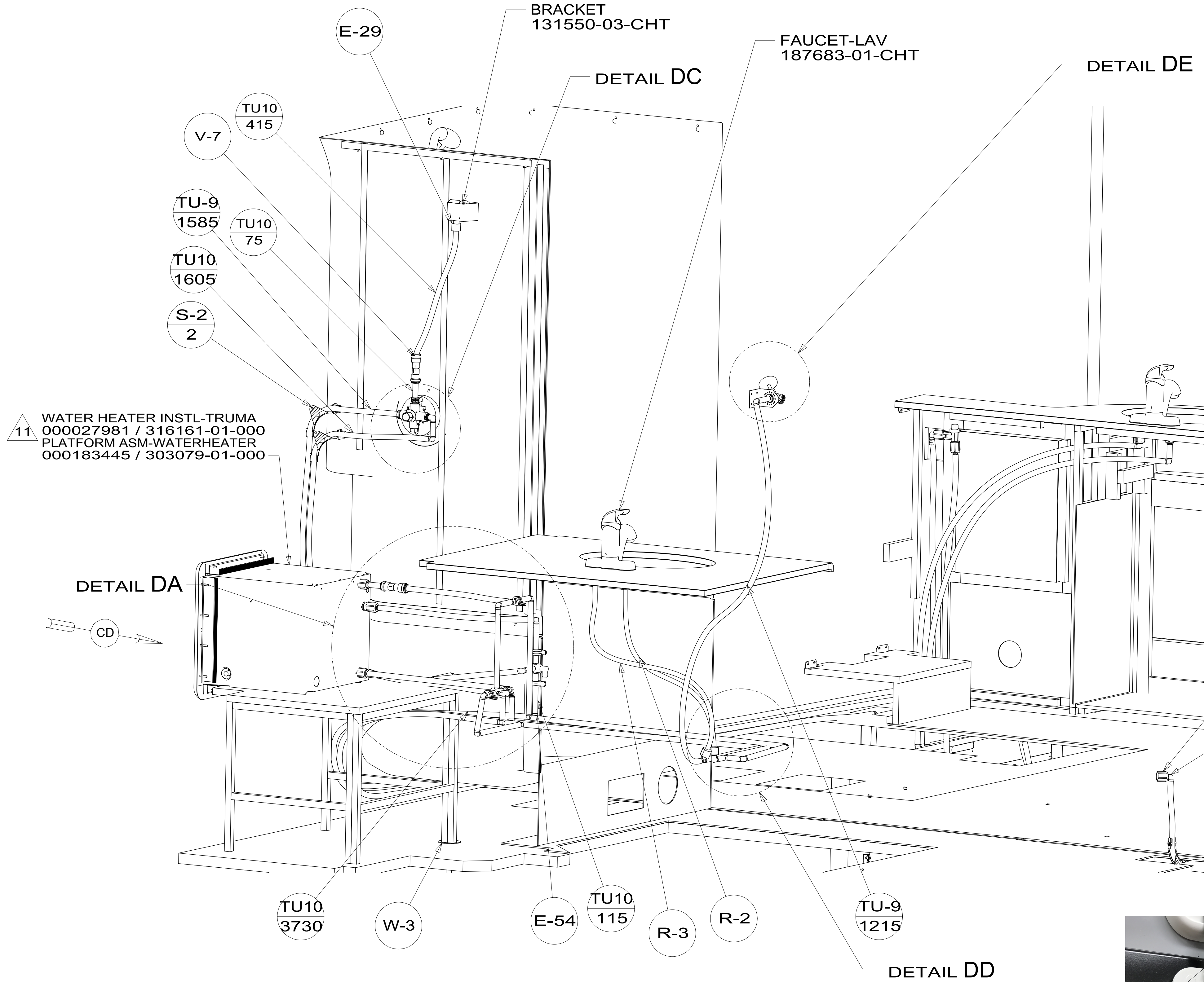
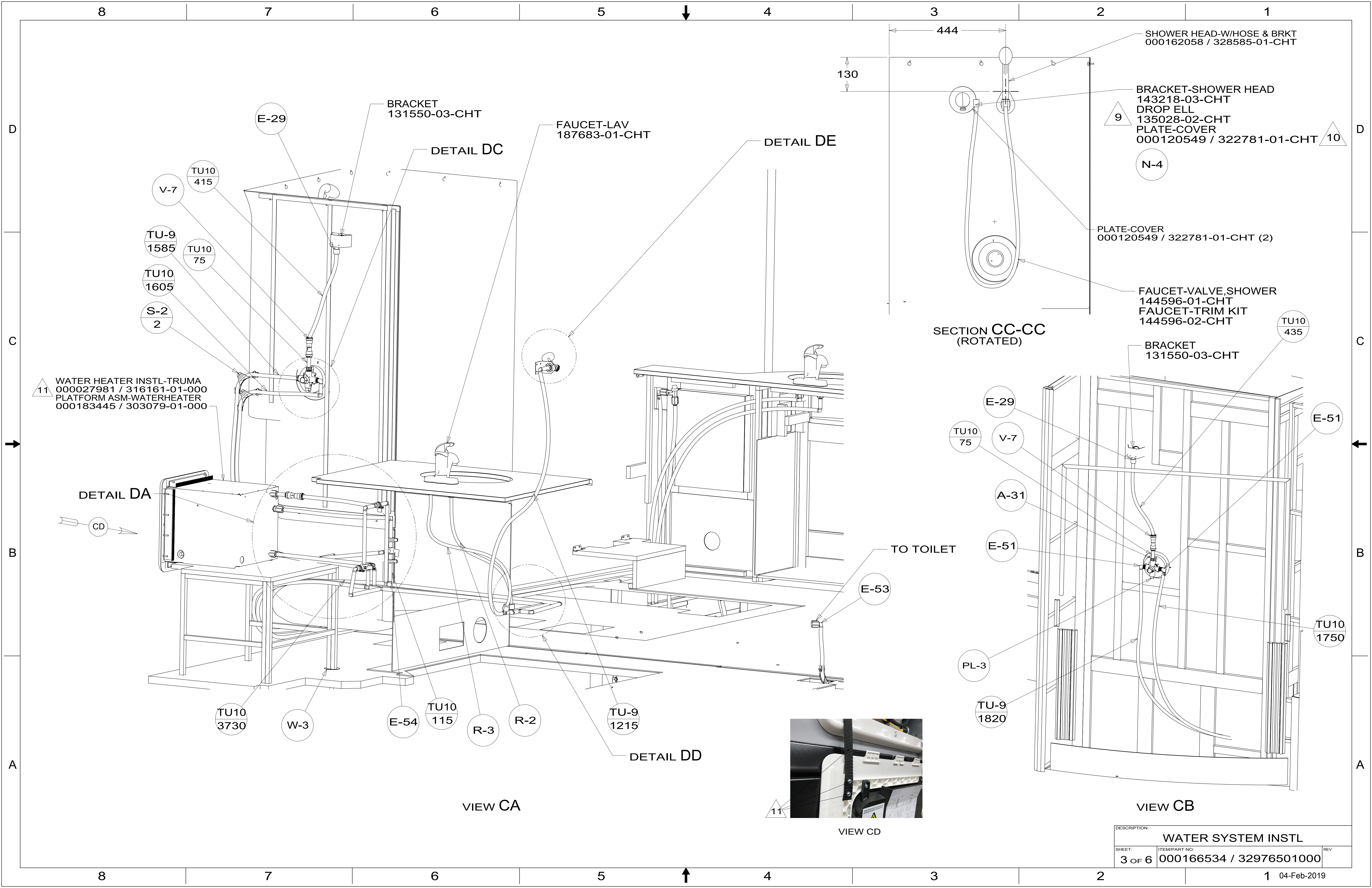


DETAIL BD



DETAIL BF
(SHOWN W/OUT CABINETS)

DESCRIPTION:		
WATER SYSTEM INSTL		
SHEET:	ITEM/PART NO.:	REV
2 OF 6	000166534 / 32976501000	

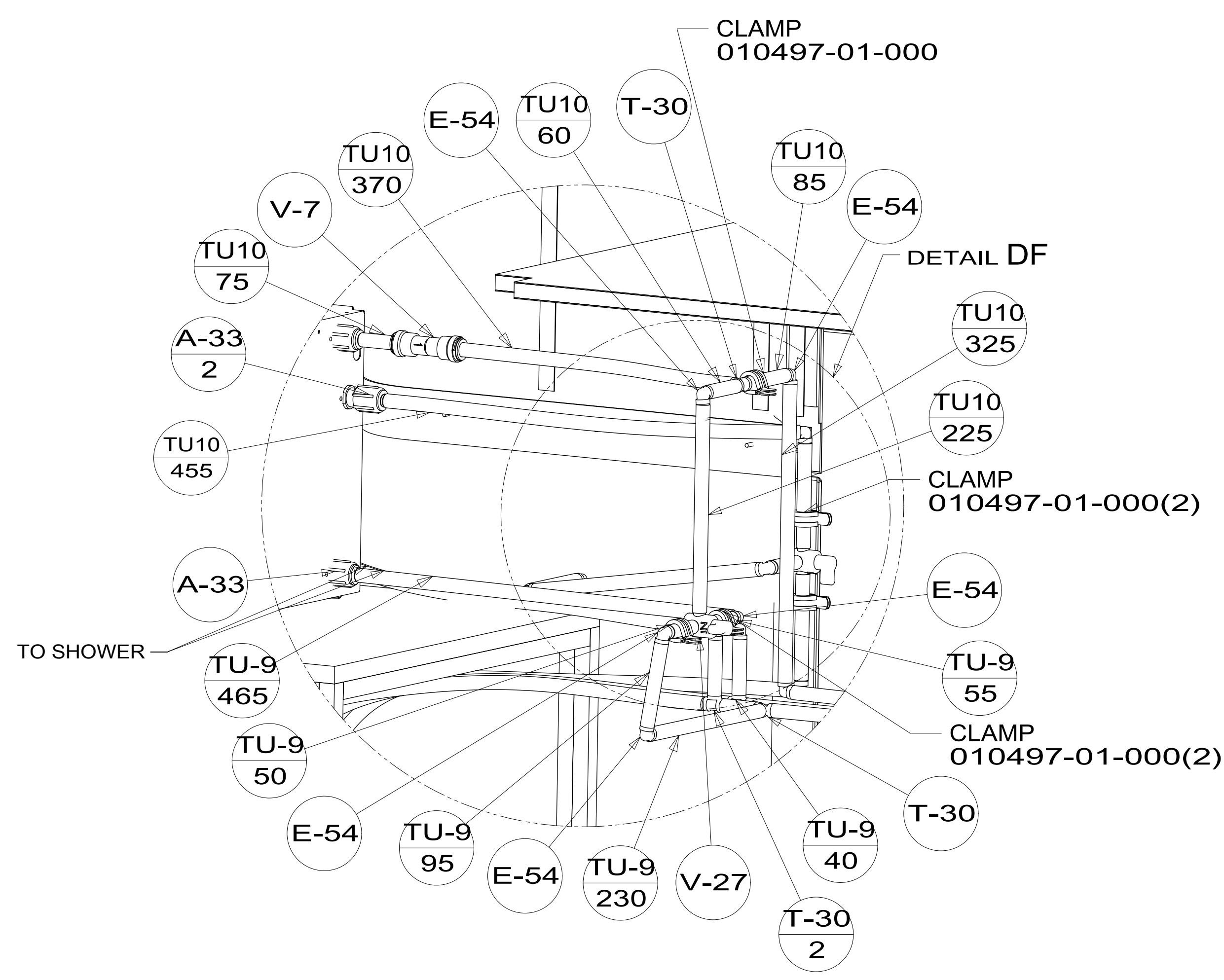
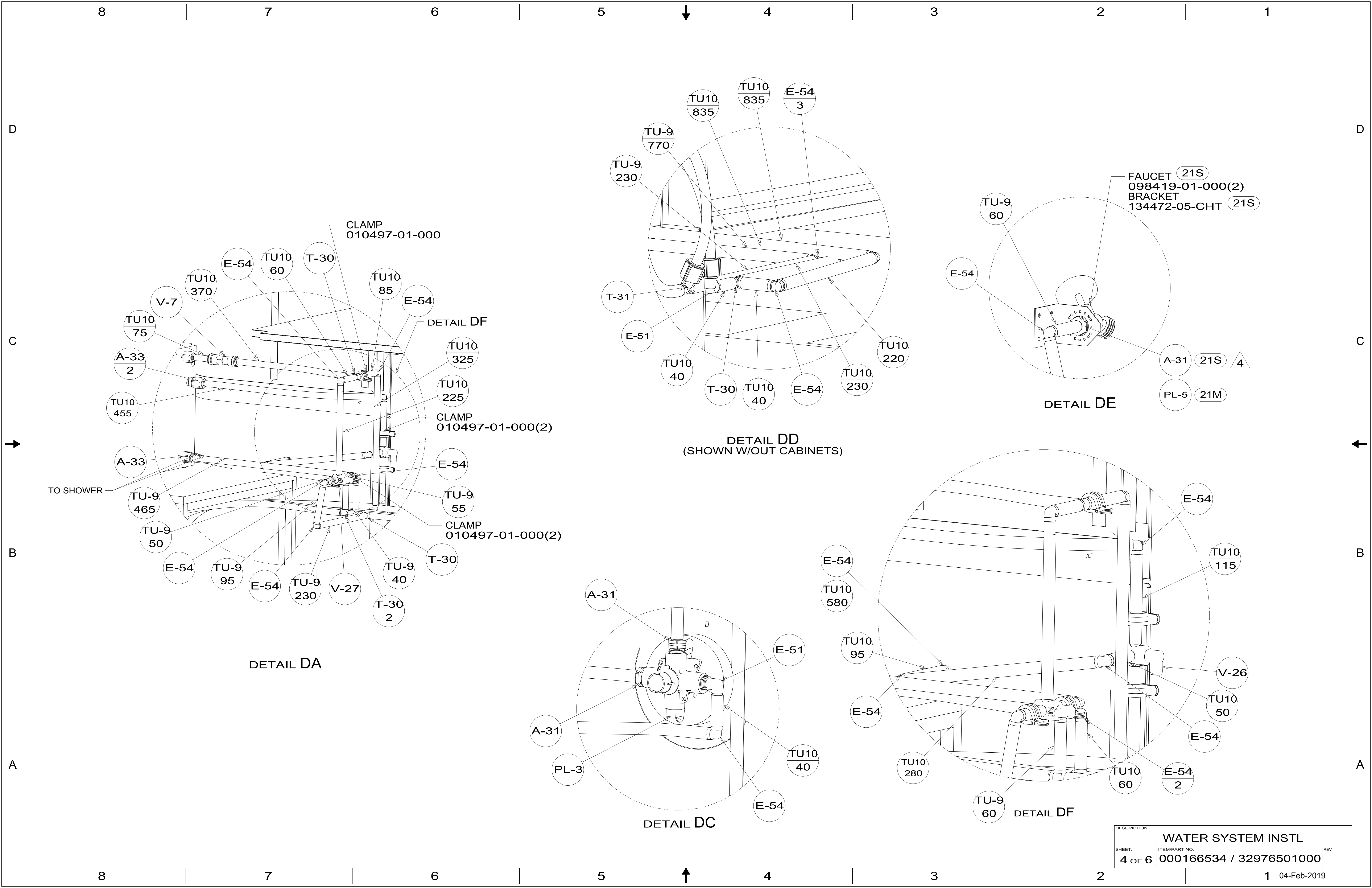


VIEW CA

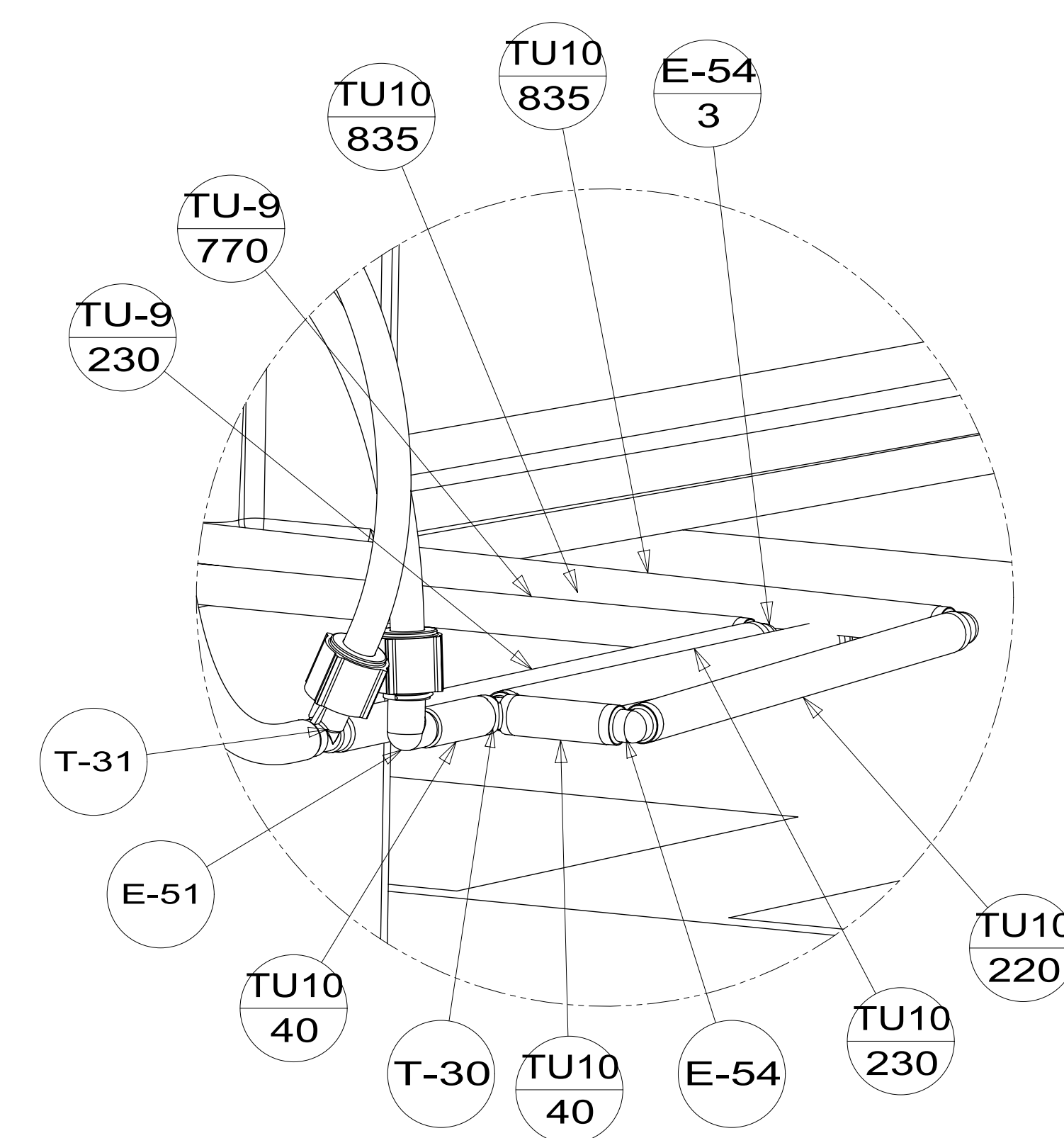
VIEW CB

VIEW CD

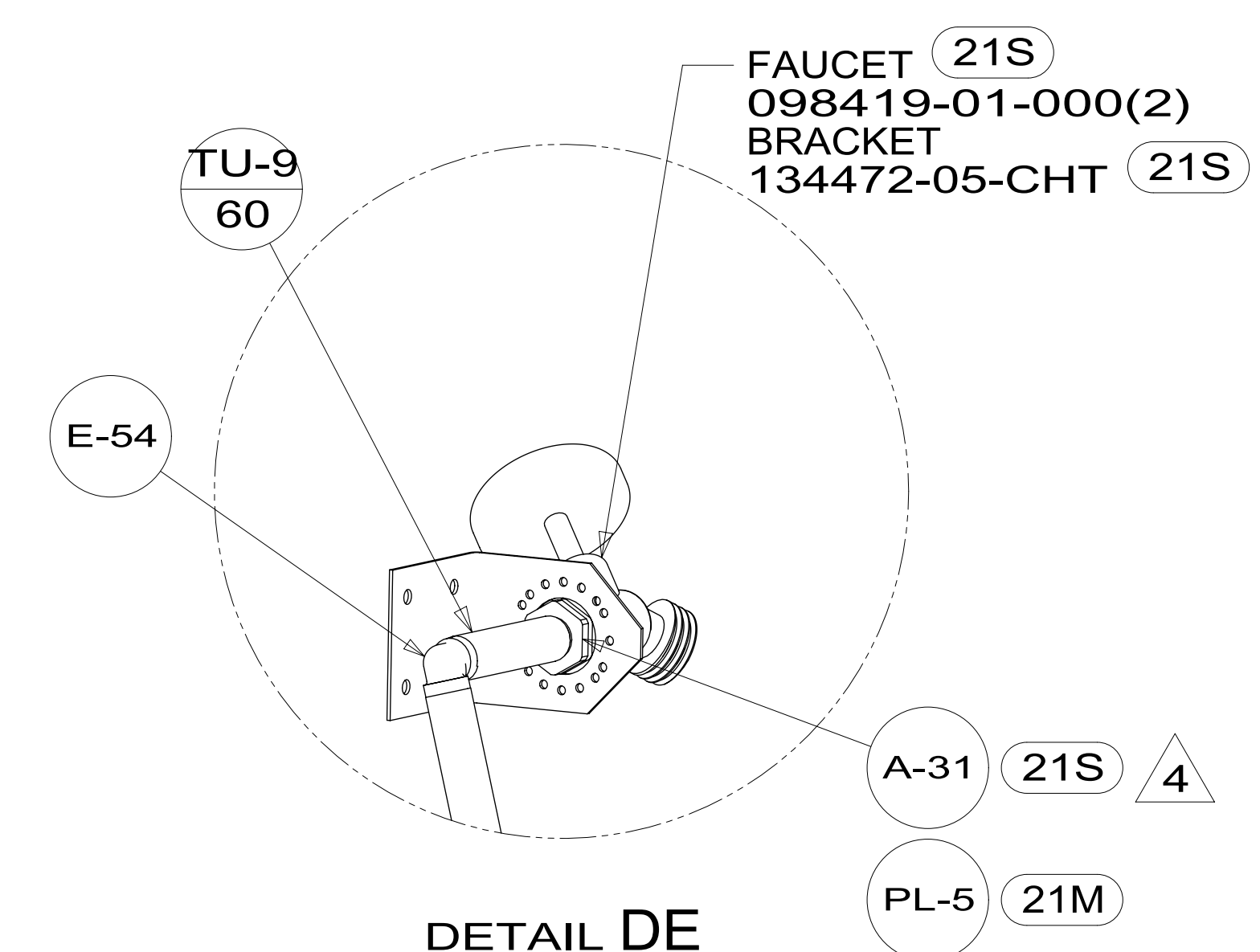
DESCRIPTION:		
WATER SYSTEM INSTL		
SHEET:	ITEM/PART NO:	REV
3 OF 6	000166534 / 32976501000	



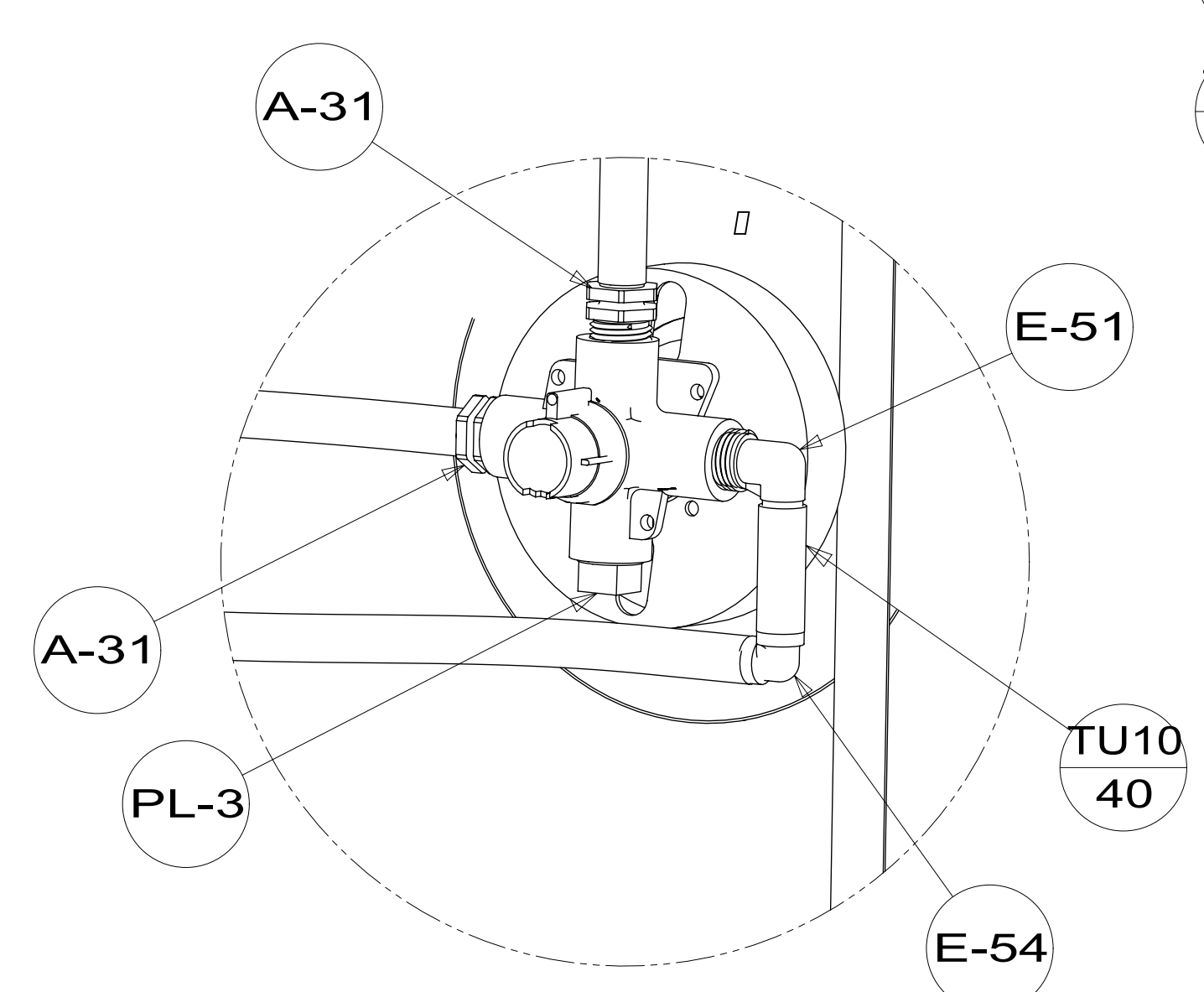
DETAIL DA



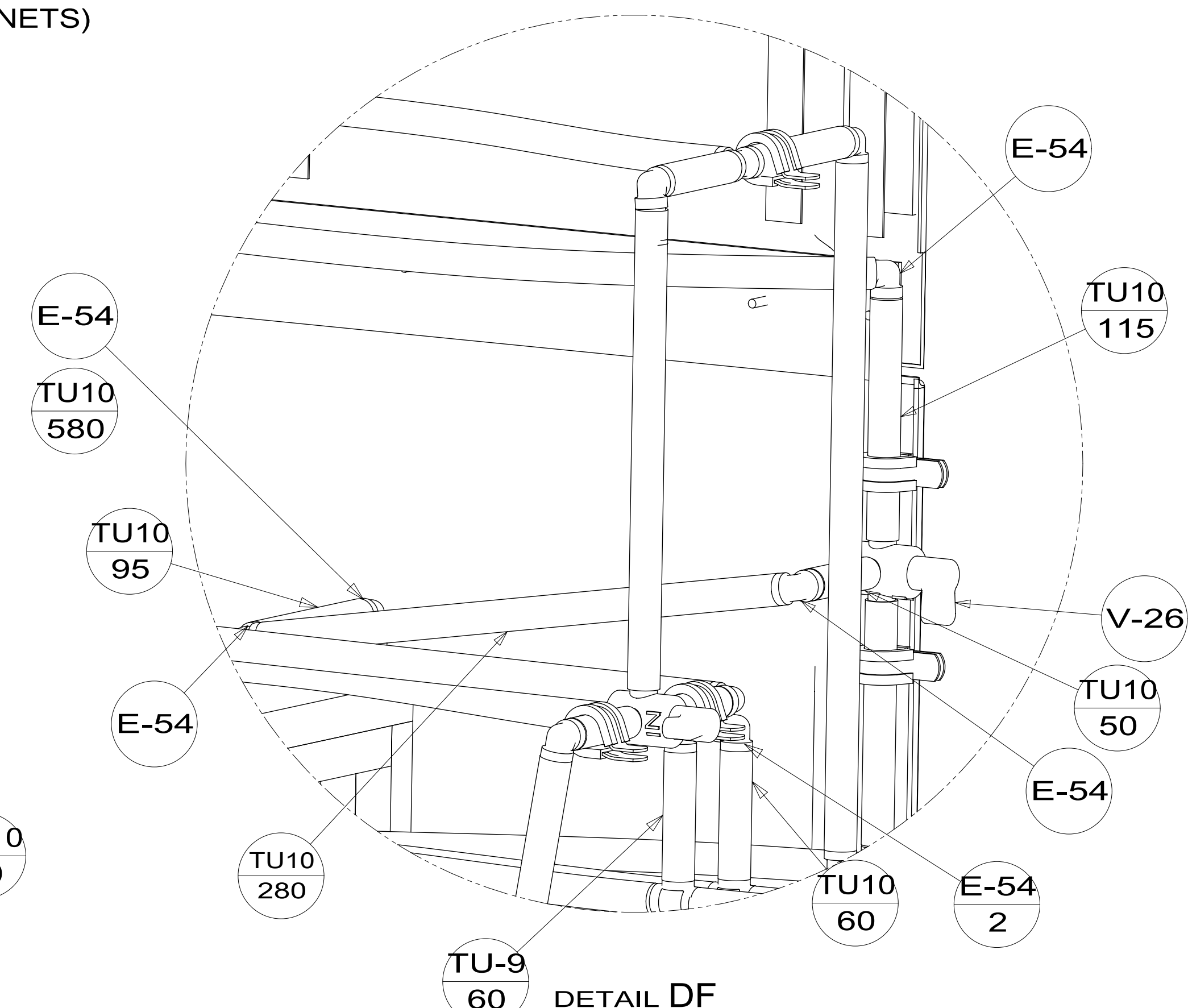
DETAIL DD
(SHOWN W/OUT CABINETS)



DETAIL DE



DETAIL DC



DETAIL DF

DESCRIPTION:		
WATER SYSTEM INSTL		
SHEET:	ITEM/PART NO.:	REV
4 OF 6	000166534 / 32976501000	

