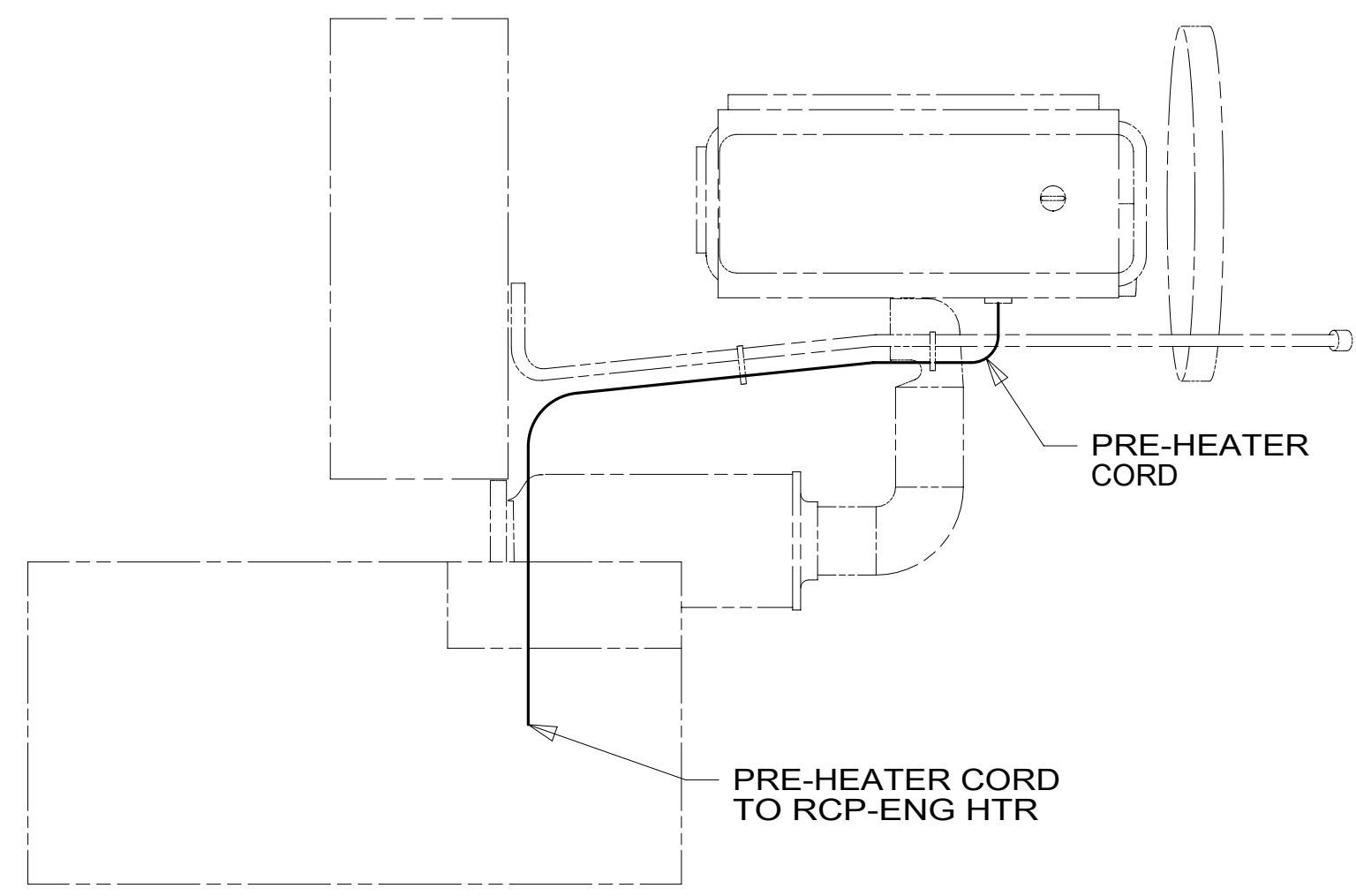


- 6 CLAMP 83610-01-000, SCREW G39-08-12U.
- 5 CLAMP 10497-03-000, SCREW G39-08-12U.
- 4 USE TIE-WIRE 8343-04-000 TO SECURE WIRES TO FLOOR SUPPORT FRAME AT LEAST ONCE EVERY 600MM.
- 3 SECURE CORD AWAY FROM ALL MOVING PARTS AND EXHAUST WITH WIRE-TIE 93147-01-000 AS REQUIRED
- 2 SEE WIRING INSTL-FRONT END FOR ADDITIONAL INFORMATION.
- 1 REST WIRE IN FRAME RAIL WHEN APPLICABLE.

NOTES:



DETAIL AA 3

FOR ELECTRICAL TORQUE SPECIFICATIONS SEE DWG NO. 128783-01-000

FOR ELECTRICAL CALLOUTS SEE DWG NO. 121339-01-000

- 265 CODES/STANDARDS-CSA/CMVSS
- 1B1 CODES/STANDARDS USA

WINNEBAGO
COPYRIGHT 2016 WINNEBAGO INDUSTRIES, INC.

DSNR:		ALL DIMENSIONS ARE IN MILLIMETERS	
DFFR:		19 L38W	
UNSPECIFIED TOLERANCES:		MATERIAL:	
WHOLE DIM (X) :	3		
ONE-PLACE (X.X) :	1.5		
TWO-PLACE (X.XX) :	0.50		
ANGLE :	1°		
REFER TO ES0018 FOR FASTENER TIGHTENING GUIDELINES		WEIGHT: (LBS)	FIRST USED:
			19 L38W
WIRING INSTL-CHASSIS			
SHEET:	ITEM/PART NO.:	REV:	
1 OF 4	000166405 / 32972501000		
REF:		1 13-Dec-2018	

8

7

6

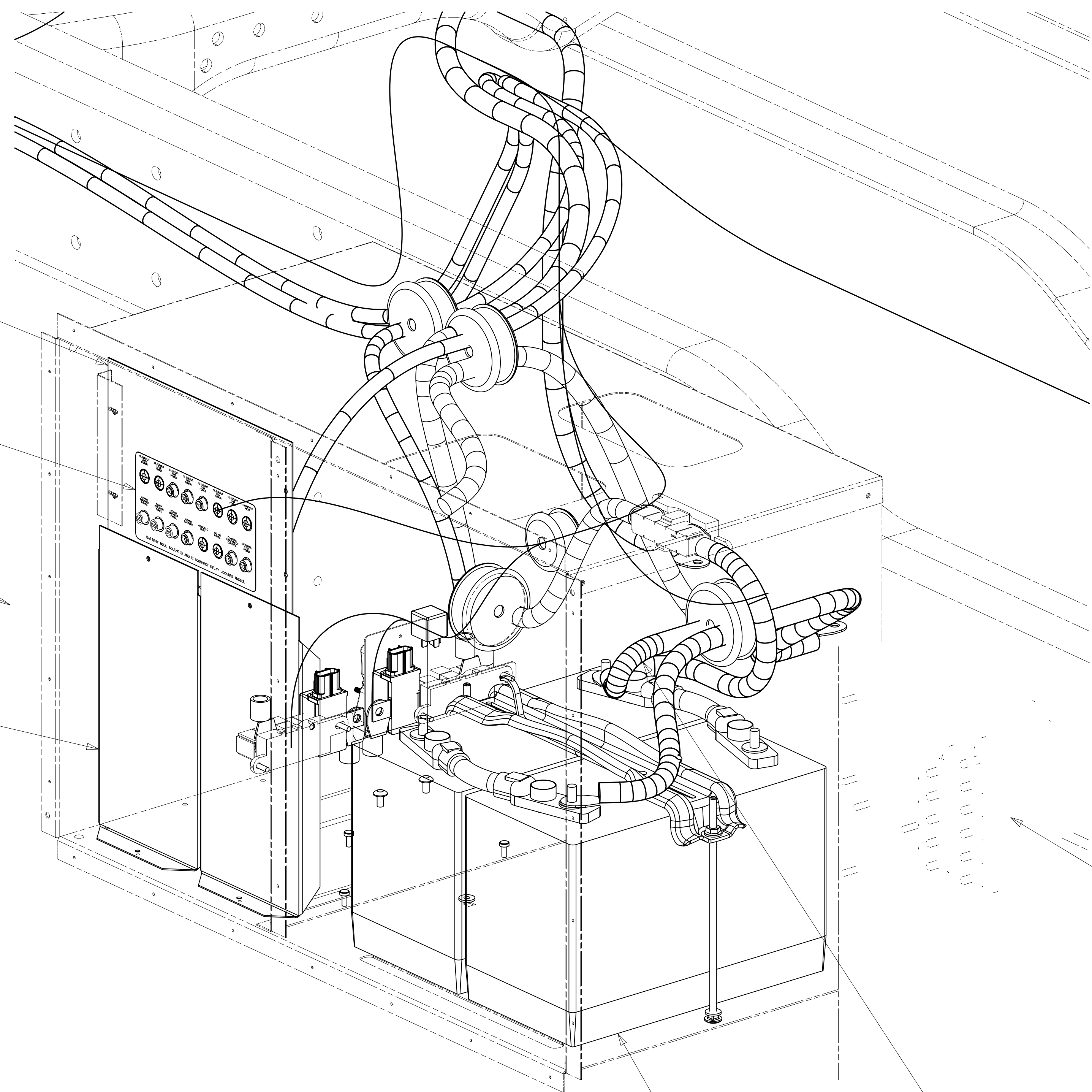
5

4

3

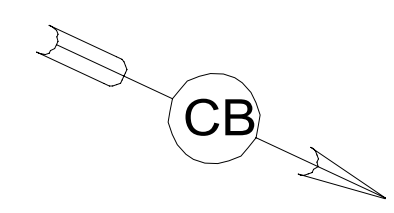
2

1



PANEL-CLOSEOUT,
ELECTRICAL
175347-06-CHT
SCREW
G11-08-12U (4)

CIRCUIT BREAKERS
DETAIL CA



PANEL-CLOSEOUT,
ELECTRICAL
175347-02-CHT (2)
SCREW
G39-10-12U (4)

FUSE BLOCK
(CHASSIS SUPPLIED)
(REF)

CHASSIS
BATTERIES
(REF)

FREIGHTLINER
STARTER CABLE

VIEW BA

FOR ELECTRICAL
TORQUE
SPECIFICATIONS
SEE DWG NO.
128783-01-000

FOR
ELECTRICAL
CALLOUTS
SEE DWG NO.
121339-01-000

265 CODES/STANDARDS-CSA/CMVSS

1B1 CODES/STANDARDS USA

1B1 265

DESCRIPTION:
WIRING INSTL-CHASSIS

SHEET: 2 OF 4 ITEM/PART NO: 000166405 / 32972501000 REV

8

7

6

5

4

3

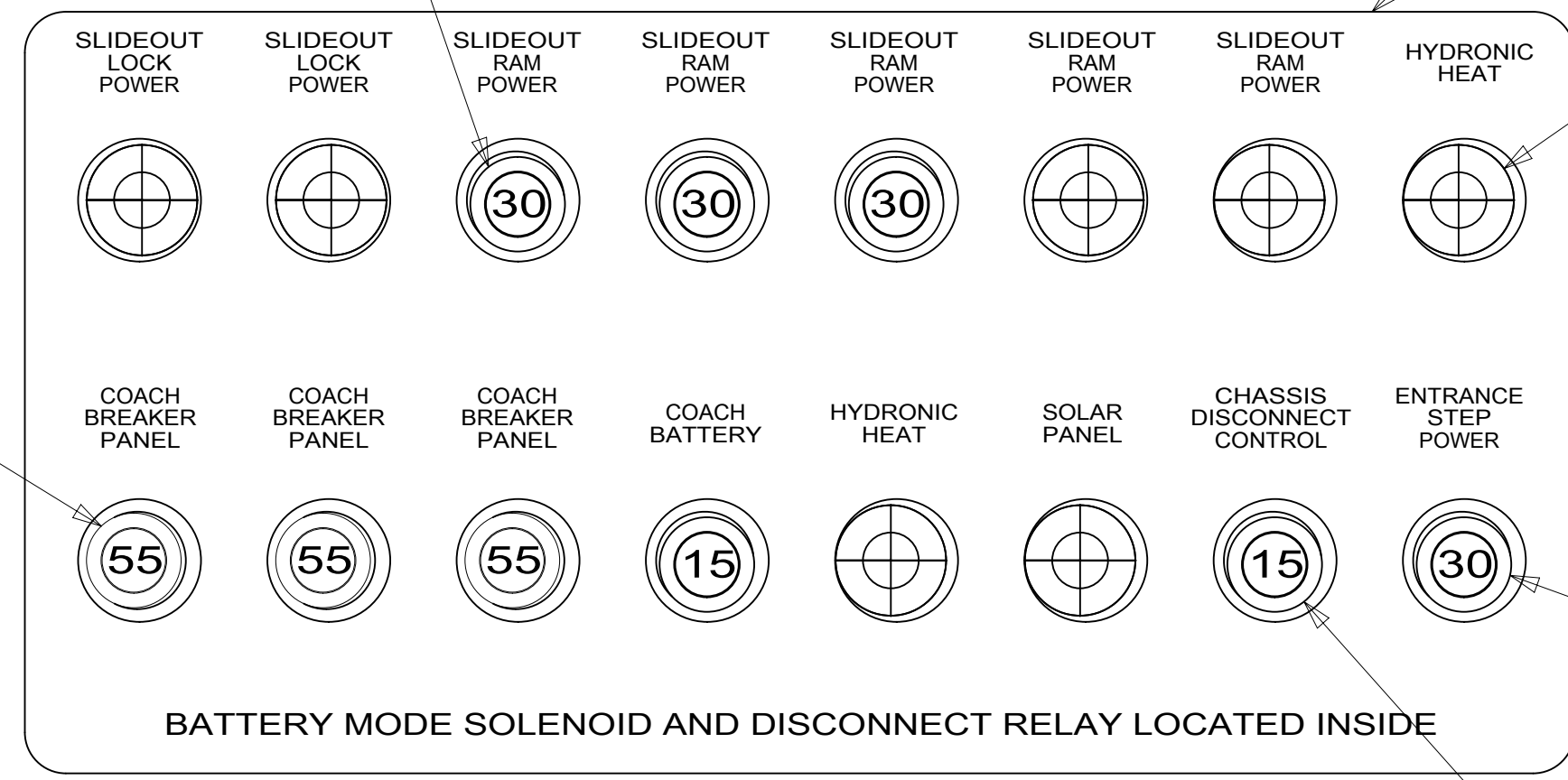
2

1

13-Dec-2018

1 CIRCUIT BREAKER-30 AMP
93655-02-000 (3)
SCREW
G52-06-05U (3)
SPACER-CIRCUIT BREAKER
141789-01-000 (3)

LABEL-CIRCUIT BREAKER
93236-77-000



PLUG-PLASTIC
81211-06-000 (6)

CIRCUIT BREAKER-30 AMP
93655-02-000
SCREW
G52-06-05U
SPACER-CIRCUIT BREAKER
141789-01-000

CIRCUIT BREAKER-15 AMP
93654-02-000 (2)
SCREW
G52-06-05U
SPACER-CIRCUIT BREAKER
141789-01-000 (2)

DETAIL CA

CIRCUIT BREAKER-55 AMP
113482-01-000 (3)

RELAY
63912-02-000
(CHASSIS BATTERY
DISCONNECT LOCKOUT)
PLUG INTO WIRE ASM-CHASSIS

FEED-1
(CHASSIS)

CABLE ASM (RED)
FROM CHASSIS BATTERY
TO CHASSIS SIDE OF
AUX START SOLENOID

CHASSIS
DISCONNECT

JJX

MG

LR

COACH
DISCONNECT

CABLE ASM (GRN)
FROM COACH BATTERY
DISCONNECT RELAY
TO PASS THRU STUD
IN FRONT LEFT COMPT

CONNECT COACH
BREAKER FEED HERE

FEED-2
(COACH)

CABLE ASM (YEL)
FROM STUD JUMP START
TO COACH SIDE OF
AUX START SOLENOID

VIEW CB

TO
CHASSIS BATTERY
DISCONNECT

CABLE ASM-6 GA
140228-01-006

BUSS BAR
141744-02-000

BUSS BAR
141744-01-000

FEED-1
(CHASSIS)

FEED-2
(COACH)

WIRE ASM-BREAKERS
176775-02-009

FROM
DISCONNECTED
SIDE OF COACH
DISCONNECT
DETAIL CB

DETAIL CA
(BACK VIEW-COMPONENTS)

1 REPLACE EXISTING SCREW TO PROPERLY ATTACH
BREAKER TO BUSS BAR.

NOTES:

FOR ELECTRICAL
TORQUE
SPECIFICATIONS
SEE DWG NO.
128783-01-000

X-X

FOR ELECTRICAL
CALLOUTS
SEE DWG NO.
121339-01-000

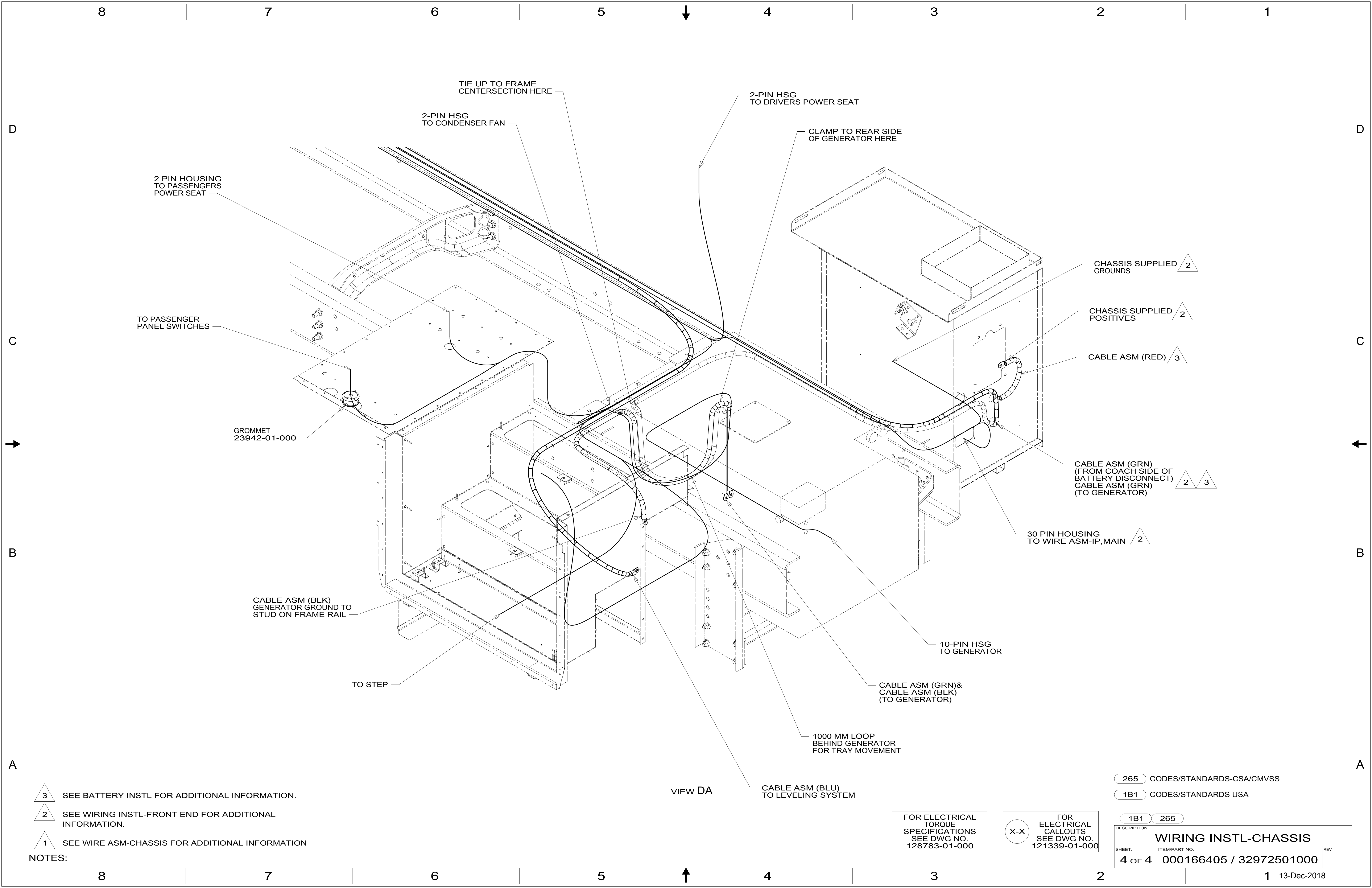
265 CODES/STANDARDS-CSA/CMVSS

1B1 CODES/STANDARDS USA

1B1 265

DESCRIPTION:
WIRING INSTL-CHASSIS

SHEET: 3 OF 4 ITEM/PART NO: 000166405 / 32972501000 REV



- NOTES:
- 3 SEE BATTERY INSTL FOR ADDITIONAL INFORMATION.
 - 2 SEE WIRING INSTL-FRONT END FOR ADDITIONAL INFORMATION.
 - 1 SEE WIRE ASM-CHASSIS FOR ADDITIONAL INFORMATION

FOR ELECTRICAL TORQUE SPECIFICATIONS SEE DWG NO. 128783-01-000

FOR ELECTRICAL CALLOUTS SEE DWG NO. 121339-01-000

265 CODES/STANDARDS-CSA/CMVSS
 1B1 CODES/STANDARDS USA

DESCRIPTION:		1B1 265	
WIRING INSTL-CHASSIS			
SHEET:	ITEM/PART NO.:	REV	
4 OF 4	000166405 / 32972501000		