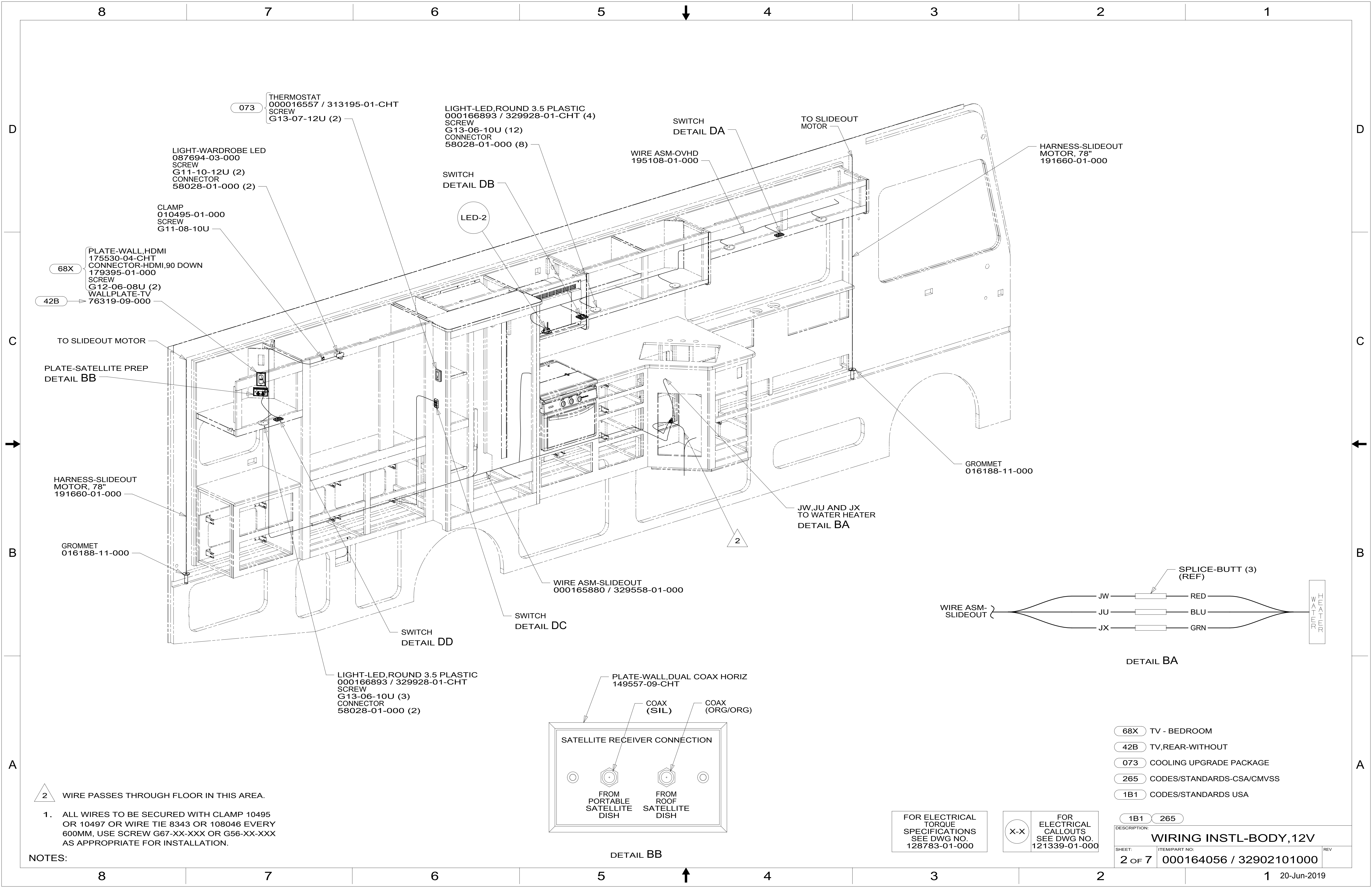


- NOTES:**
- 5 WIRES ARE PART OF WIRE ASM-CHASSIS.
 - 4 PLACE CROSS LOCATOR ON SENSORS OVER DIMPLES ON TANK.
 - 3 WIRE PASSES THROUGH FLOOR IN THIS AREA.
2. ROUTE TANK SENSOR WIRES SO THEY DO NOT PASS OVER SENSORS. USE WIRE TIE MOUNT 155366-01-000 AND WIRE TIE 8343-01-000 AS NEEDED. TANK SURFACE MUST BE CLEANED USING ISOPROPYL ALCOHOL AND PRIMED WITH PRIMER 94.
 1. ALL WIRES TO BE SECURED WITH CLAMP 10495 OR 10497 OR WIRE TIE 8343 OR 108046 EVERY 600MM, USE SCREW G67-XX-XXX OR G56-XX-XXX AS APPROPRIATE FOR INSTALLATION.



073 THERMOSTAT
00016557 / 313195-01-CHT
SCREW
G13-07-12U (2)

LIGHT-WARDROBE LED
087694-03-000
SCREW
G11-10-12U (2)
CONNECTOR
58028-01-000 (2)

CLAMP
010495-01-000
SCREW
G11-08-10U

68X PLATE-WALL,HDMI
175530-04-CHT
CONNECTOR-HDMI,90 DOWN
179395-01-000
SCREW
G12-06-08U (2)
42B WALLPLATE-TV
76319-09-000

LIGHT-LED,ROUND 3.5 PLASTIC
000166893 / 329928-01-CHT (4)
SCREW
G13-06-10U (12)
CONNECTOR
58028-01-000 (8)

SWITCH
DETAIL DB

LED-2

WIRE ASM-OVHD
195108-01-000

SWITCH
DETAIL DA

TO SLIDEOUT
MOTOR

HARNES-SLIDEOUT
MOTOR, 78"
191660-01-000

TO SLIDEOUT MOTOR

PLATE-SATELLITE PREP
DETAIL BB

HARNES-SLIDEOUT
MOTOR, 78"
191660-01-000

GROMMET
016188-11-000

GROMMET
016188-11-000

JW,JU AND JX
TO WATER HEATER
DETAIL BA

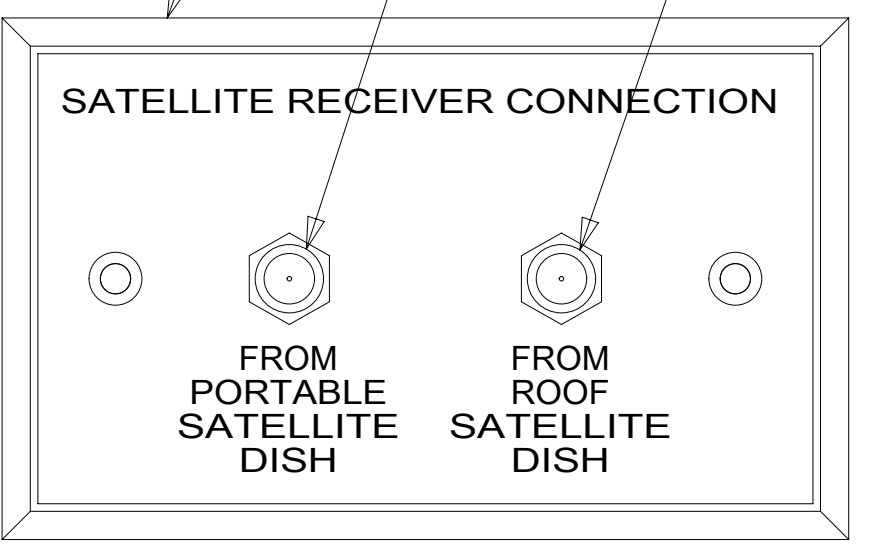
WIRE ASM-SLIDEOUT
000165880 / 329558-01-000

SWITCH
DETAIL DC

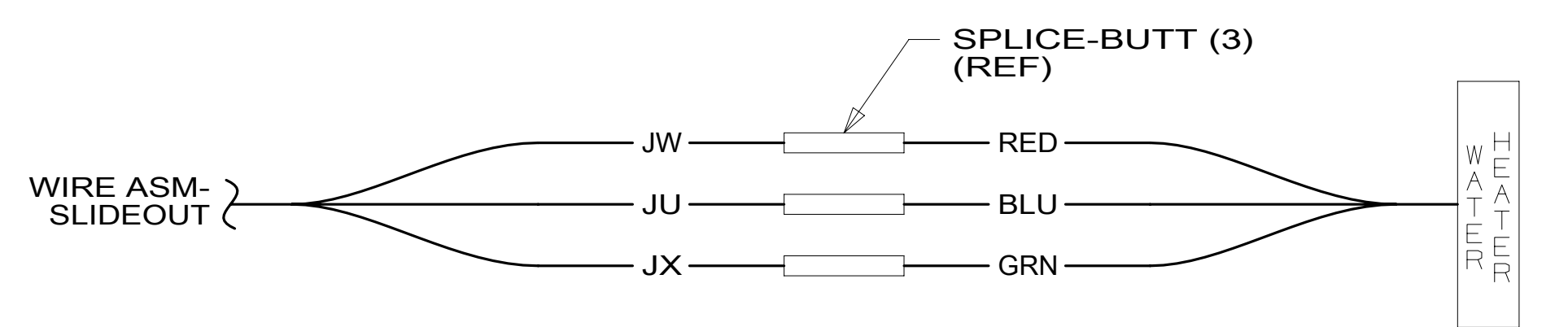
SWITCH
DETAIL DD

LIGHT-LED,ROUND 3.5 PLASTIC
000166893 / 329928-01-CHT
SCREW
G13-06-10U (3)
CONNECTOR
58028-01-000 (2)

PLATE-WALL,DUAL COAX HORIZ
149557-09-CHT



DETAIL BB



DETAIL BA

2 WIRE PASSES THROUGH FLOOR IN THIS AREA.

1. ALL WIRES TO BE SECURED WITH CLAMP 10495 OR 10497 OR WIRE TIE 8343 OR 108046 EVERY 600MM, USE SCREW G67-XX-XXX OR G56-XX-XXX AS APPROPRIATE FOR INSTALLATION.

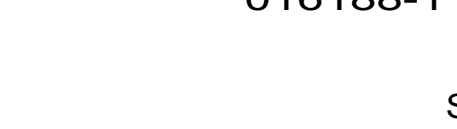
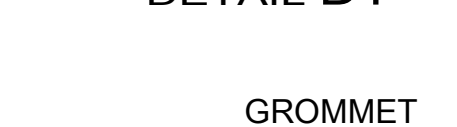
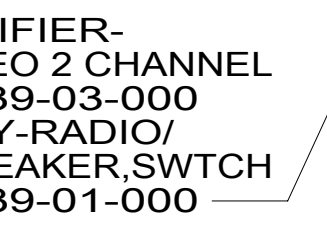
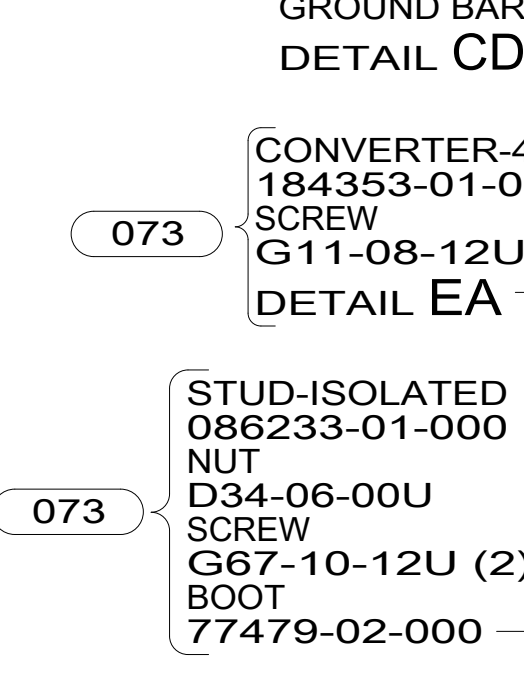
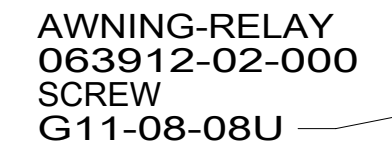
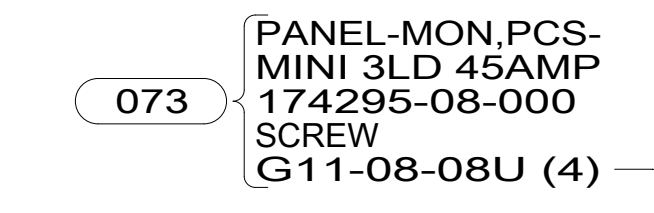
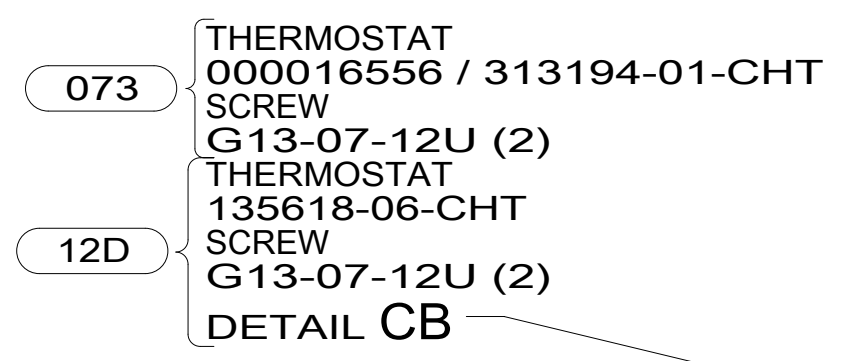
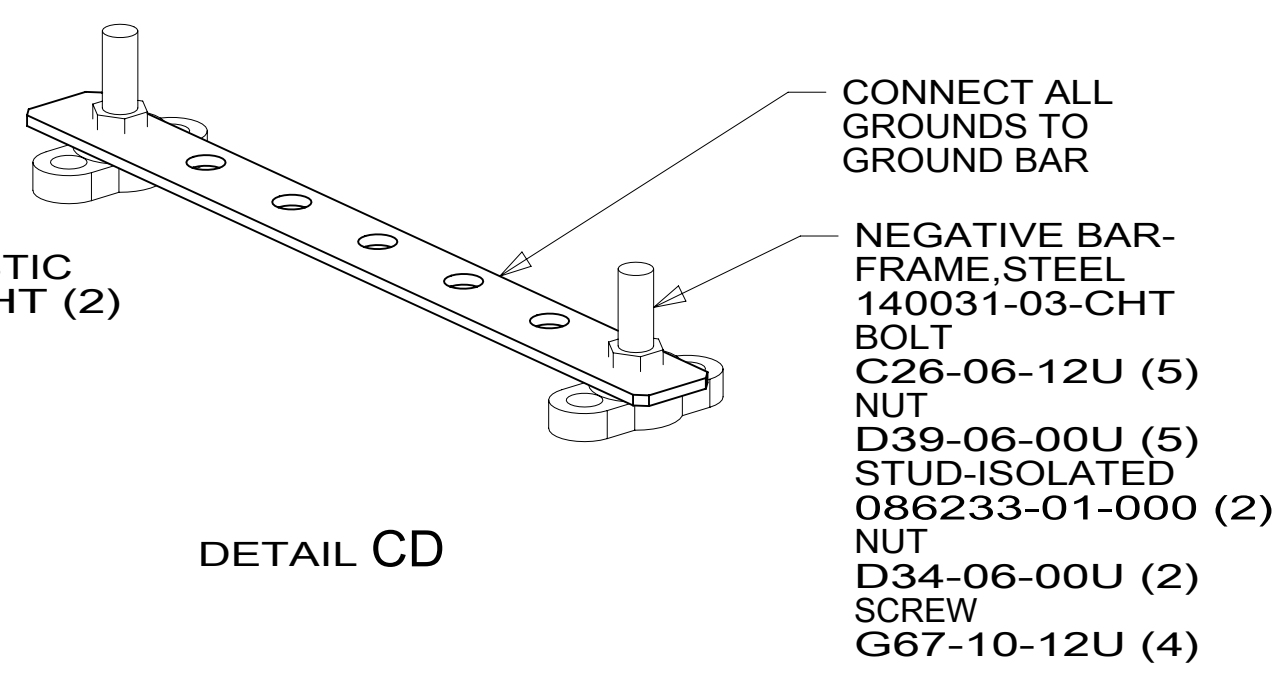
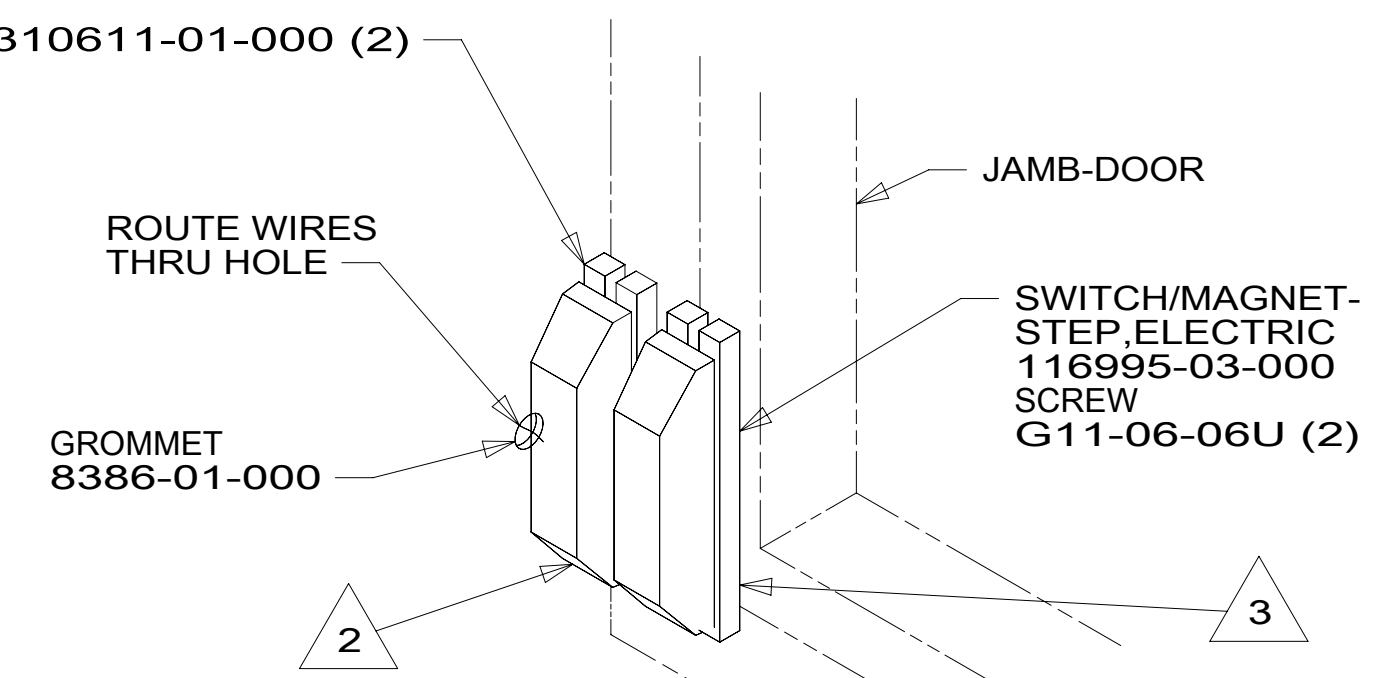
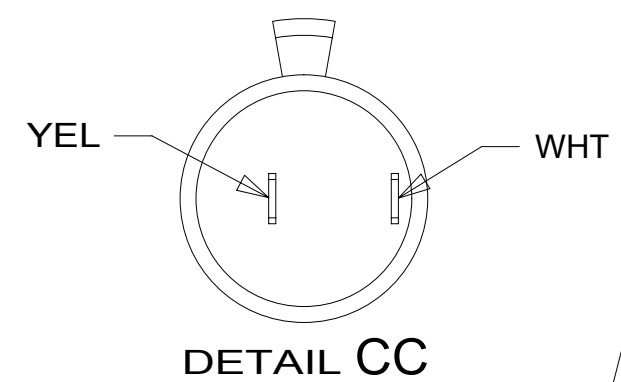
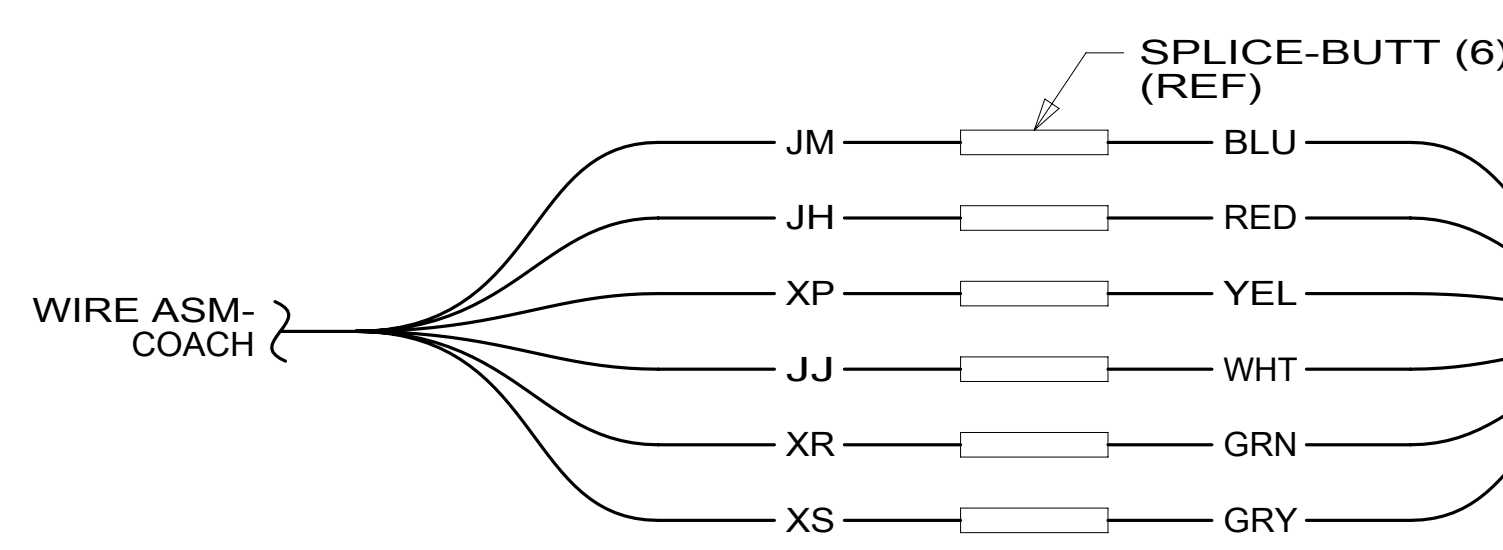
NOTES:

FOR ELECTRICAL
TORQUE
SPECIFICATIONS
SEE DWG NO.
128783-01-000

FOR
ELECTRICAL
CALLOUTS
SEE DWG NO.
121339-01-000

- 68X TV - BEDROOM
- 42B TV,REAR-WITHOUT
- 073 COOLING UPGRADE PACKAGE
- 265 CODES/STANDARDS-CSA/CMVSS
- 1B1 CODES/STANDARDS USA

DESCRIPTION: WIRING INSTL-BODY, 12V	
SHEET: 2 OF 7	ITEM/PART NO: 000164056 / 32902101000
REV	



- 8 REMOVE SCREWS FROM MAGNET SWITCH TO INSTALL LOCK WASHER AND RING TERMINALS.
- 7 WIRING IS PART OF WIRE ASM-CHASSIS.
- 6 SPEAKER MOUNTED TO EXTERIOR SURFACE OF SIDEWALL.
- 5 SEE LOAD CENTER ASM FOR ADDITIONAL INFORMATION.
- 4 WIRE PASSES THROUGH FLOOR IN THIS AREA.
- 3 MOUNT MAGNET TO SCREEN DOOR FRAME, MOUNT WITH MAGNET TOWARD SWITCH.
- 2 MOUNT SWITCH TO DOOR JAMB WITH TAPE 076322-21-000.

1. ALL WIRES TO BE SECURED WITH CLAMP 10495 OR 10497 OR WIRE TIE 8343 OR 108046 EVERY 600MM, USE SCREW G67-XX-XXX OR G56-XX-XXX AS APPROPRIATE FOR INSTALLATION.

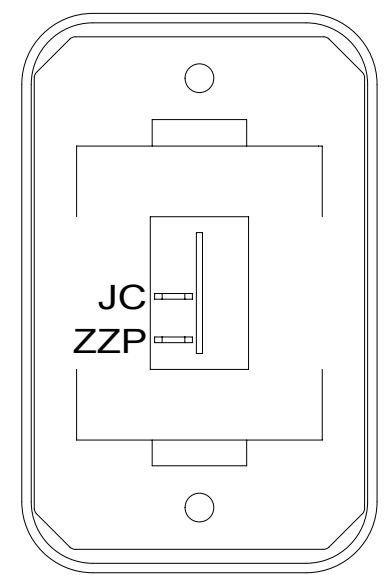
NOTES:

FOR ELECTRICAL TORQUE SPECIFICATIONS SEE DWG NO. 128783-01-000

FOR ELECTRICAL CALLOUTS SEE DWG NO. 121339-01-000

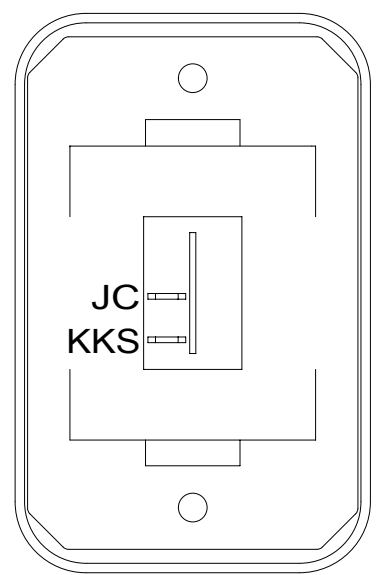
- 45B LOFT BED
- 12D ELECTRICAL SYSTEM 30 AMP
- 073 COOLING UPGRADE PACKAGE
- 265 CODES/STANDARDS-CSA/CMVSS
- 1B1 CODES/STANDARDS USA

DESCRIPTION: WIRING INSTL-BODY, 12V		
SHEET: 3 OF 7	ITEM/PART NO: 000164056 / 32902101000	REV



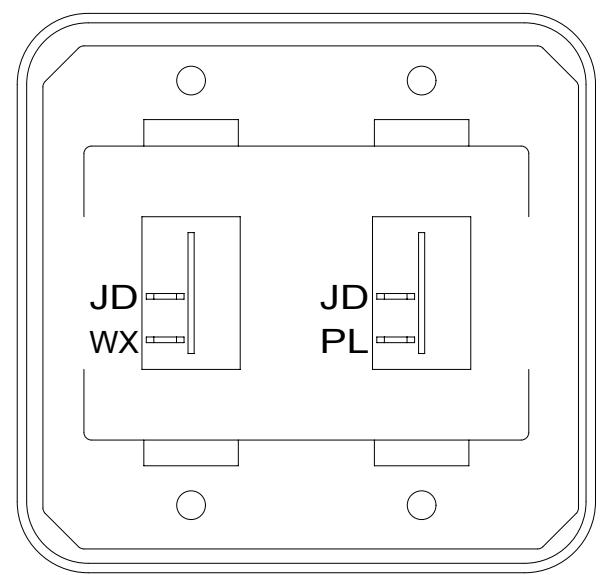
SWITCH-ROCKER
135740-01-CHT
SWITCH-BASE
135741-01-CHT
SWITCH-BEZEL
135742-01-CHT
SCREW
G11-08-08U (2)

DETAIL DA



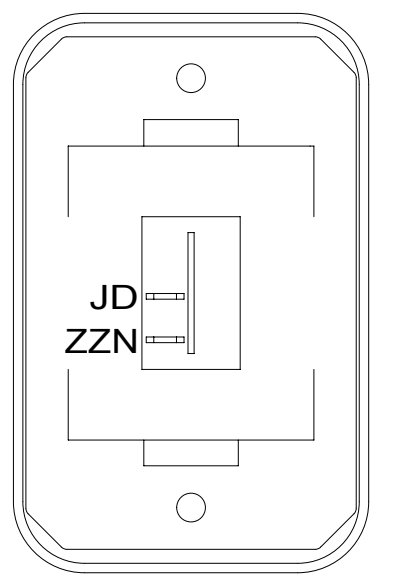
SWITCH-ROCKER
135740-01-CHT
SWITCH-BASE
135741-01-CHT
SWITCH-BEZEL
135742-01-CHT
SCREW
G11-08-08U (2)

DETAIL DD



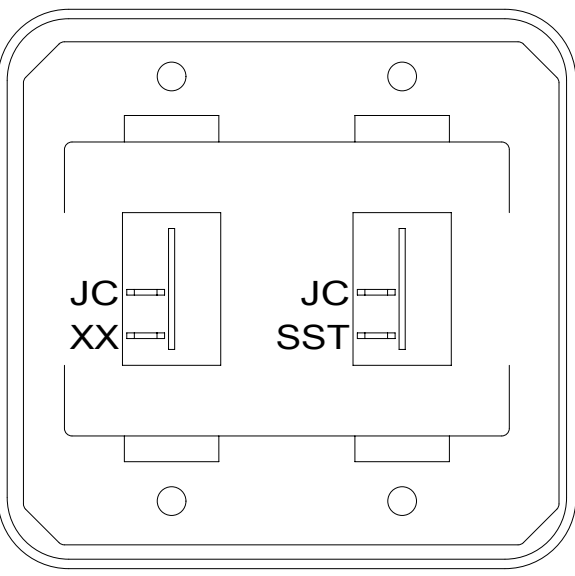
SWITCH-ROCKER
135740-01-CHT (2)
SWITCH-BASE
135741-02-CHT
SWITCH-BEZEL
135742-01-CHT
SCREW
G11-08-08U (4)

DETAIL DK



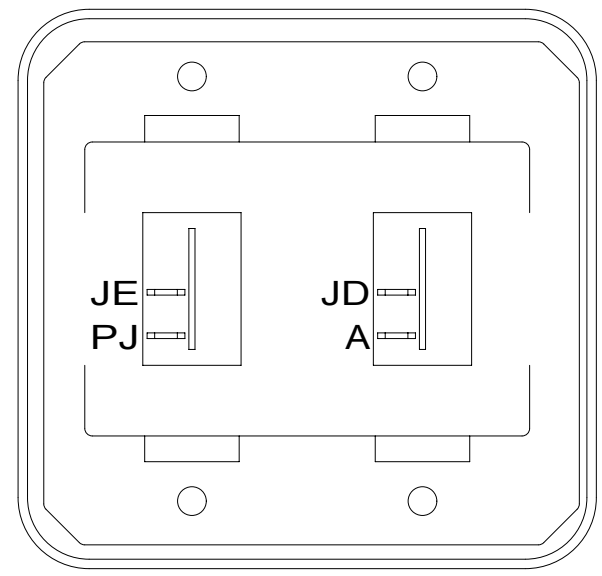
SWITCH-ROCKER
135740-01-CHT
SWITCH-BASE
135741-01-CHT
SWITCH-BEZEL
135742-01-CHT
SCREW
G11-08-08U (2)

DETAIL DN



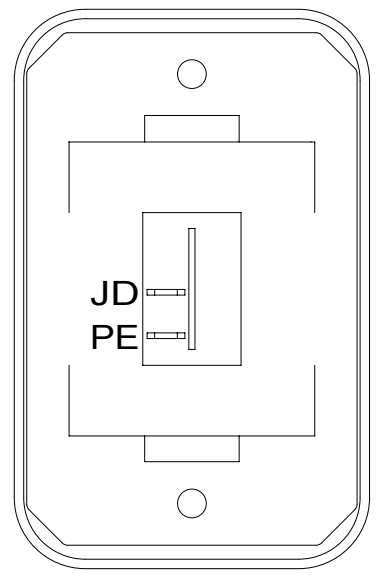
SWITCH-ROCKER
135740-01-CHT (2)
SWITCH-BASE
135741-02-CHT
SWITCH-BEZEL
135742-02-CHT
SCREW
G11-08-08U (4)

DETAIL DB



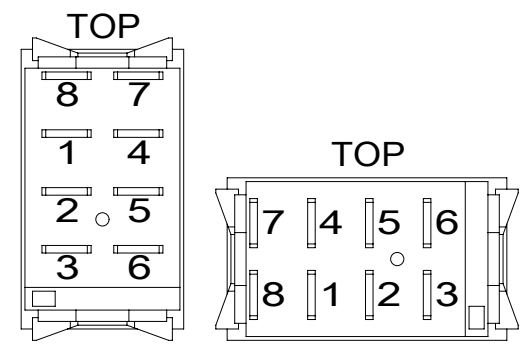
SWITCH-ROCKER
135740-01-CHT (2)
SWITCH-BASE
135741-02-CHT
SWITCH-BEZEL
135742-02-CHT
SCREW
G11-08-08U (4)

DETAIL DF

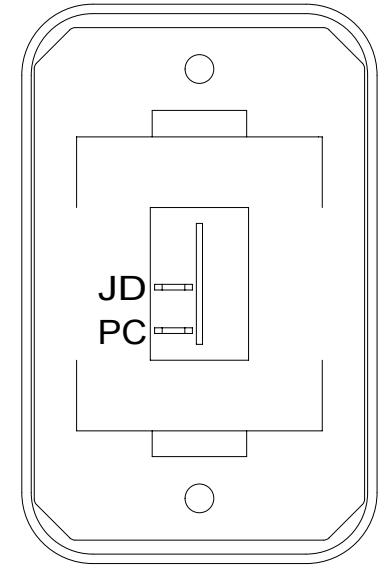


SWITCH-ROCKER
135740-01-CHT
SWITCH-BASE
135741-01-CHT
SWITCH-BEZEL
135742-01-CHT
SCREW
G11-08-08U (2)

DETAIL DL

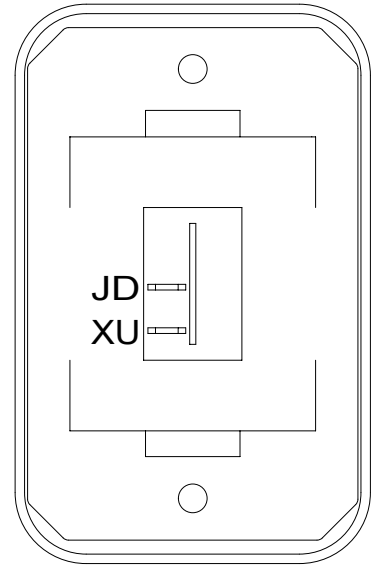


DETAIL DP



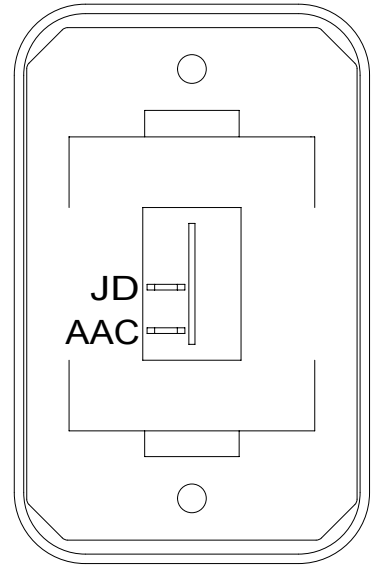
SWITCH-ROCKER
135740-01-CHT
SWITCH-BASE
135741-01-CHT
SWITCH-BEZEL
135742-01-CHT
SCREW
G11-08-08U (2)

DETAIL DC



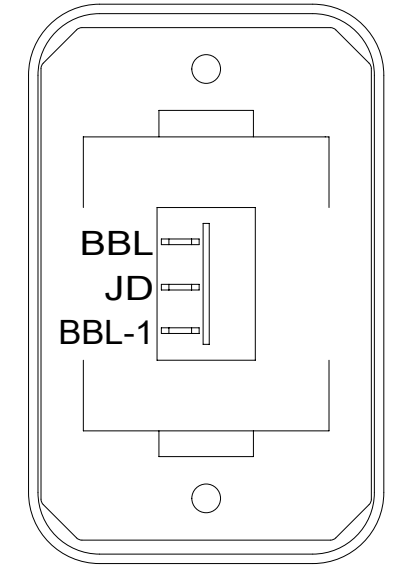
SWITCH-ROCKER
135740-01-CHT
SWITCH-BASE
135741-01-CHT
SWITCH-BEZEL
135742-01-CHT
SCREW
G11-08-08U (2)

DETAIL DG



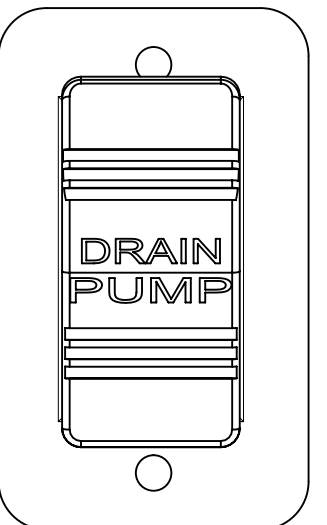
SWITCH-ROCKER
135740-01-CHT
SWITCH-BASE
135741-01-CHT
SWITCH-BEZEL
135742-01-CHT
SCREW
G11-08-08U (2)

DETAIL DM



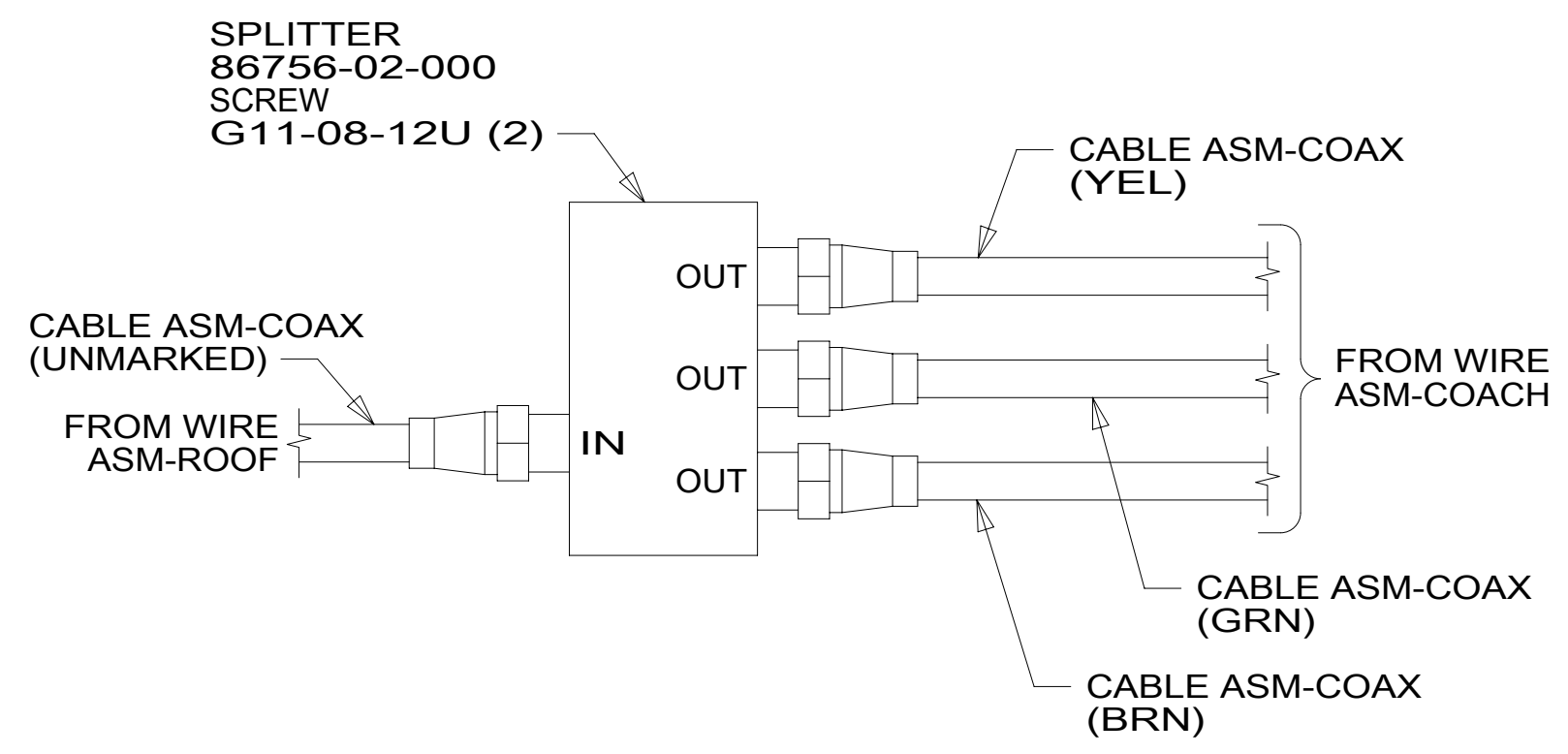
SWITCH-ROCKER
135740-04-CHT
SWITCH-BASE
135741-01-CHT
SWITCH-BEZEL
135742-01-CHT
SCREW
G11-08-08U (2)

DETAIL DR

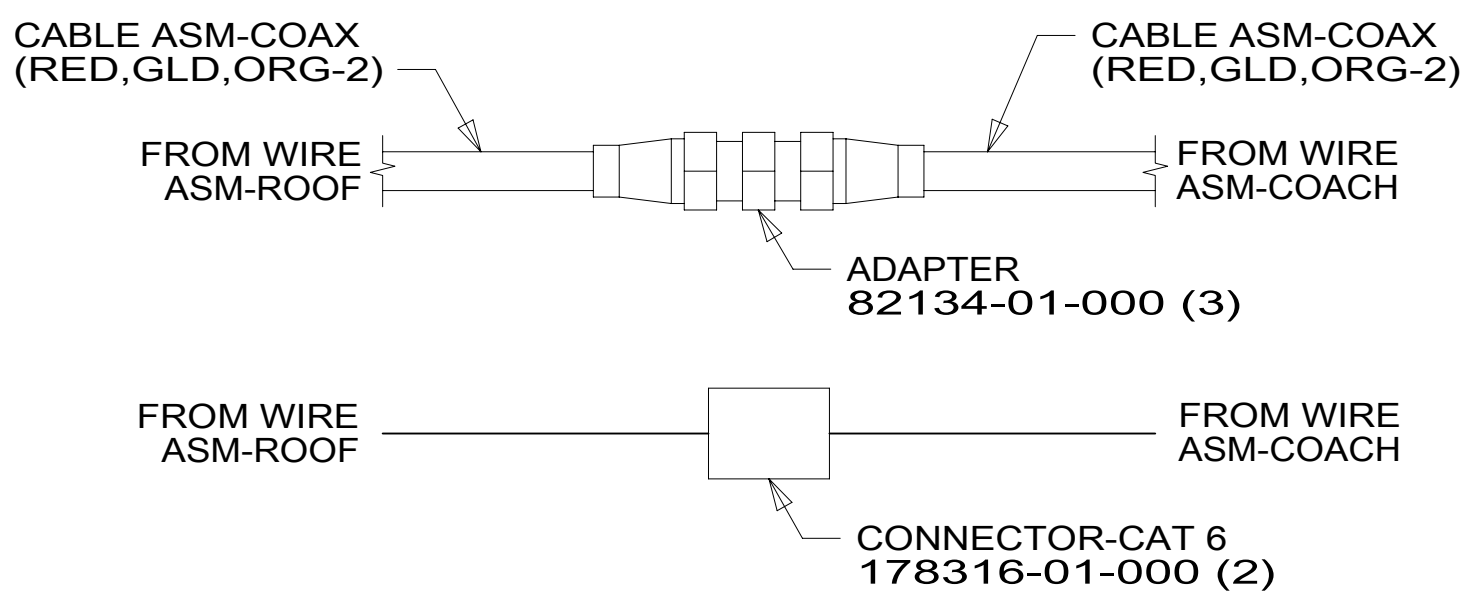


SWITCH-ROCKER
108357-09-000
ACTUATOR-SWITCH,
DRAIN PUMP
108356-27-CHT
PLATE-SWITCH, GEN SW
098351-07-CHT
SCREW
G11-06-10U (2)

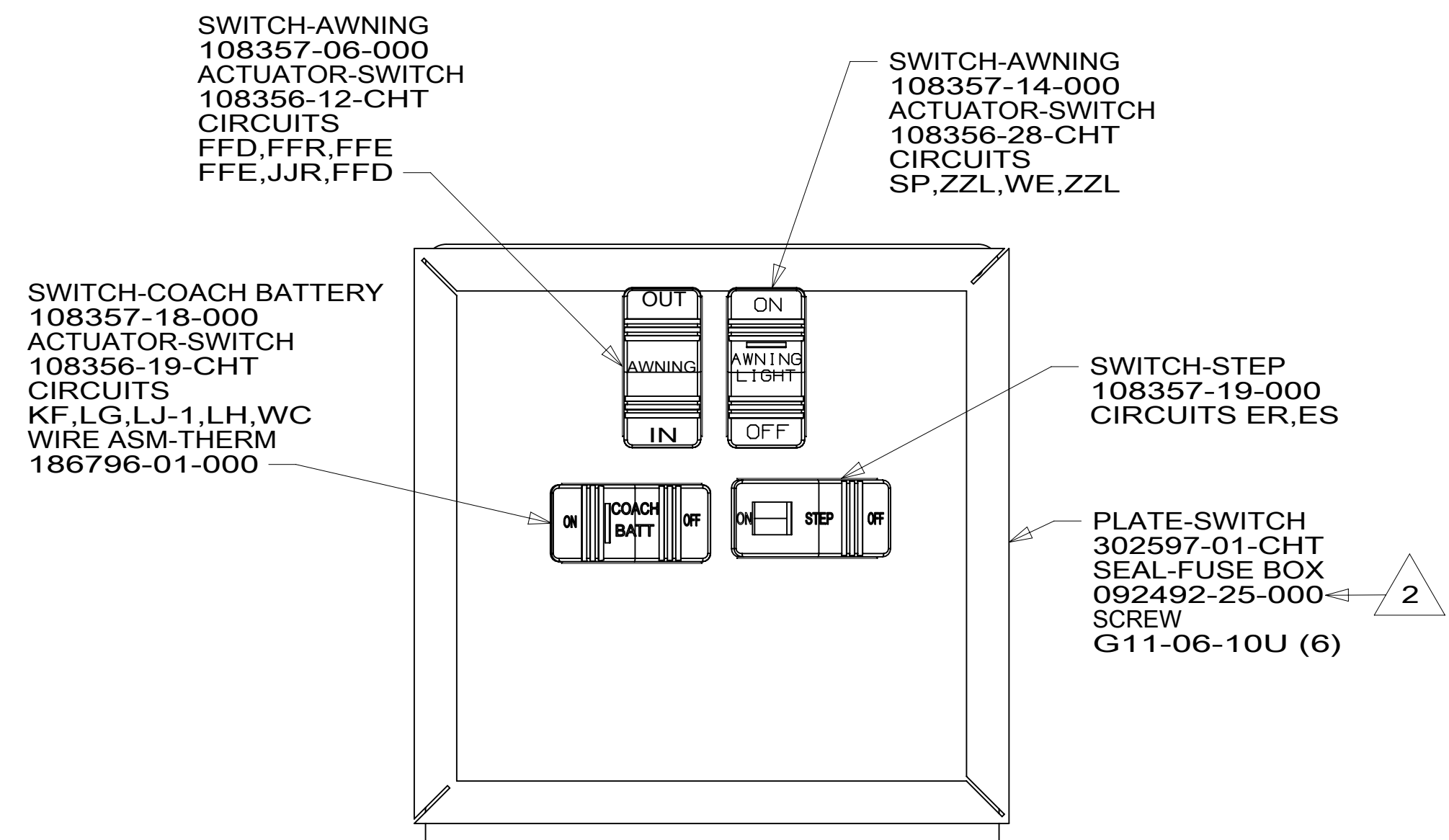
DETAIL DT



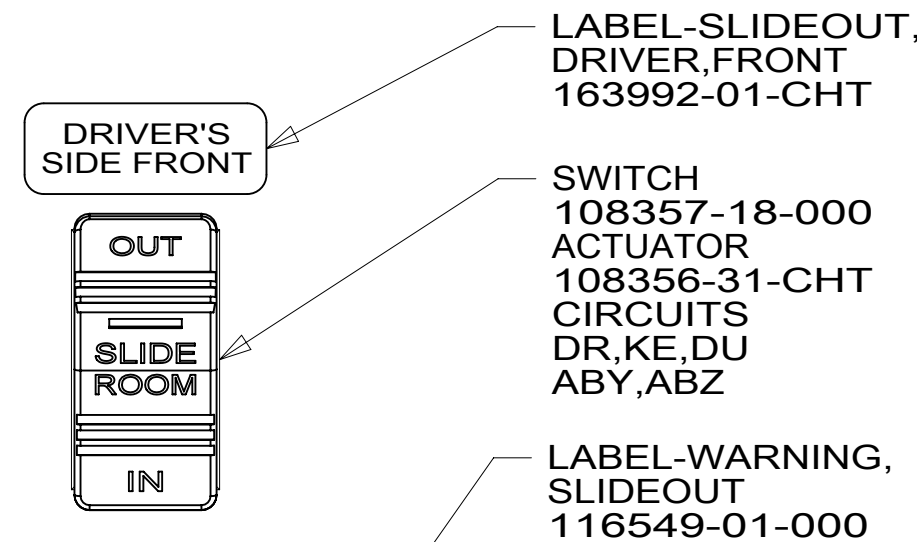
DETAIL DS



DETAIL DS

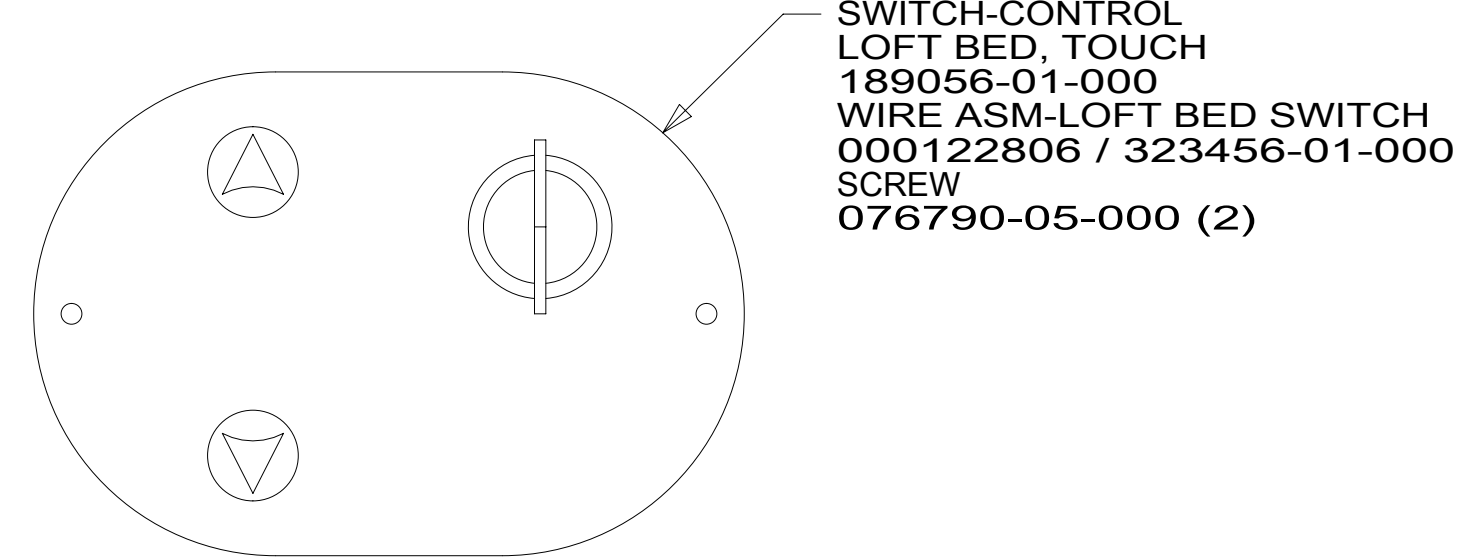


DETAIL DE 1



DETAIL DH

WARNING CRUSH HAZARD. Keep people and objects clear of the inside and the outside of the slideout room when operating. Failure to comply could result in death or serious injury.



DETAIL DJ 45B

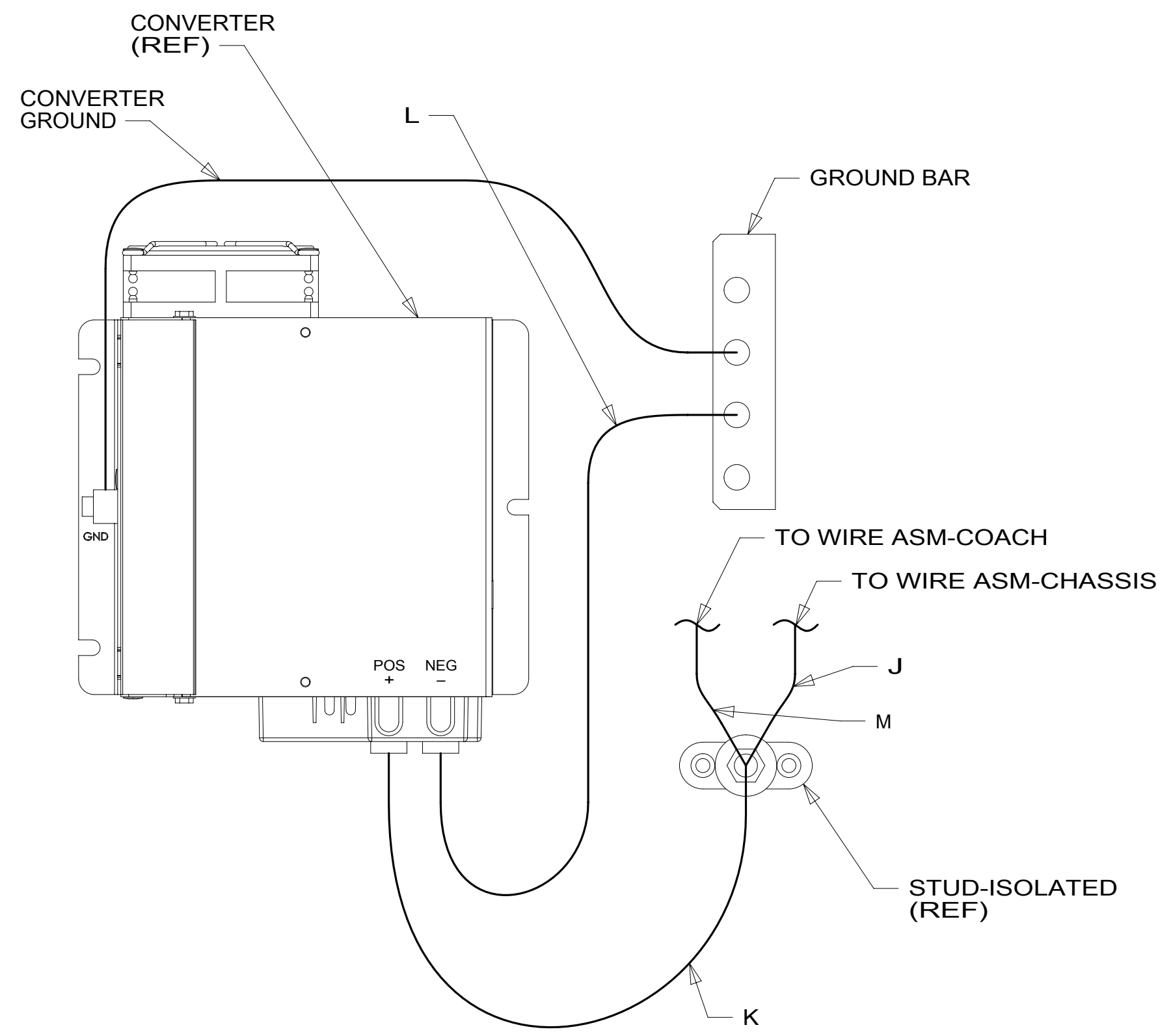
2 PLACE AROUND ENTIRE PERIMETER WITH SEAM AT BOTTOM.
1 FOR SWITCH ORIENTATION SEE DETAIL DP.

FOR ELECTRICAL TORQUE SPECIFICATIONS SEE DWG NO. 128783-01-000

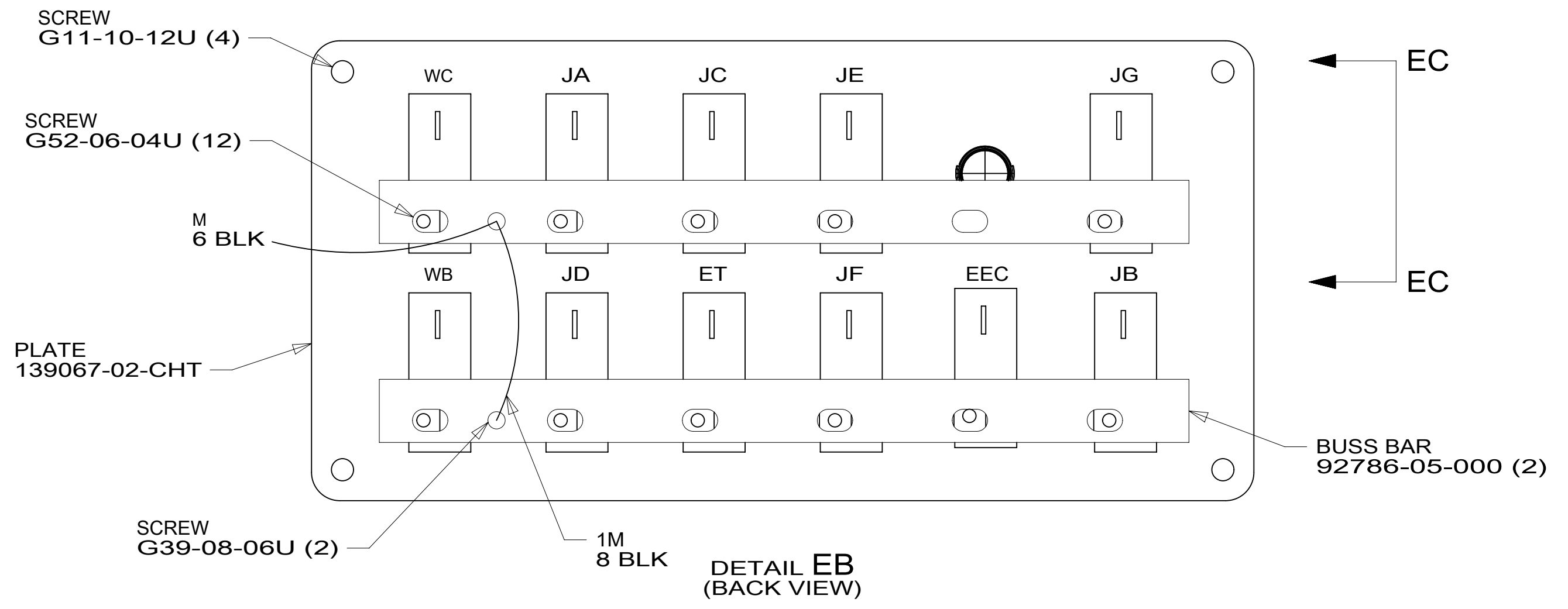
FOR ELECTRICAL CALLOUTS SEE DWG NO. 121339-01-000

- 45B LOFT BED
- 265 CODES/STANDARDS-CSA/CMVSS
- 1B1 CODES/STANDARDS USA

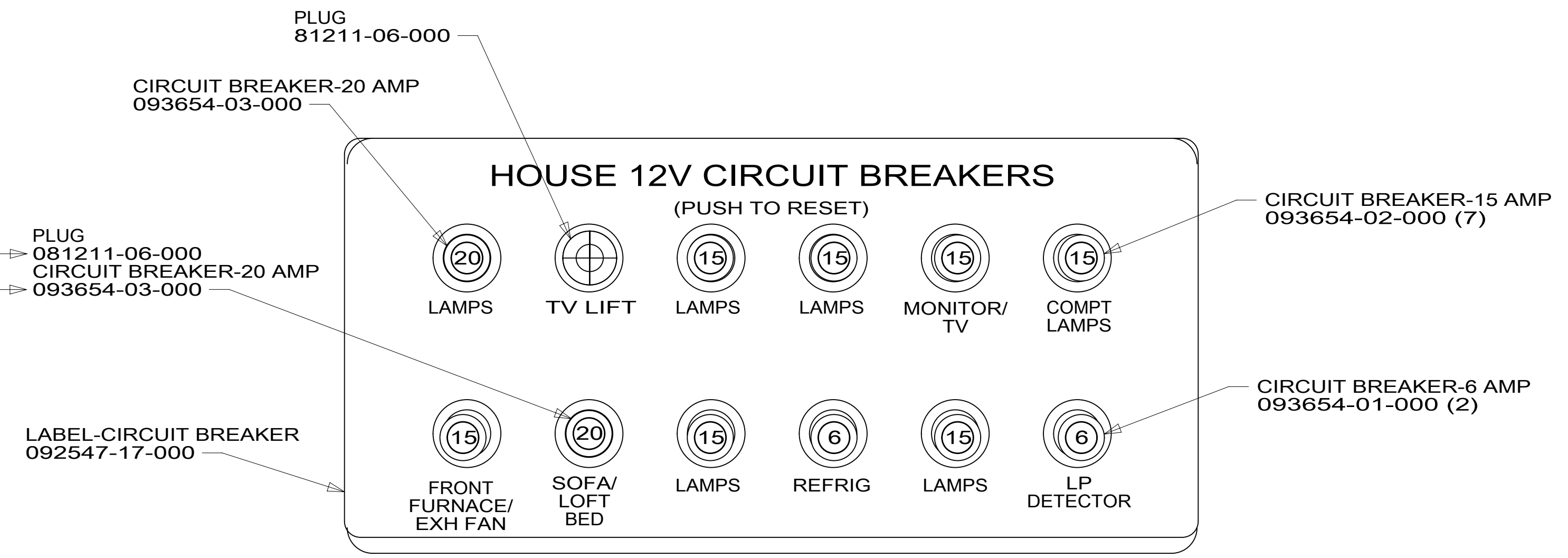
DESCRIPTION: WIRING INSTL-BODY, 12V		
SHEET: 4 OF 7	ITEM/PART NO: 000164056 / 32902101000	REV



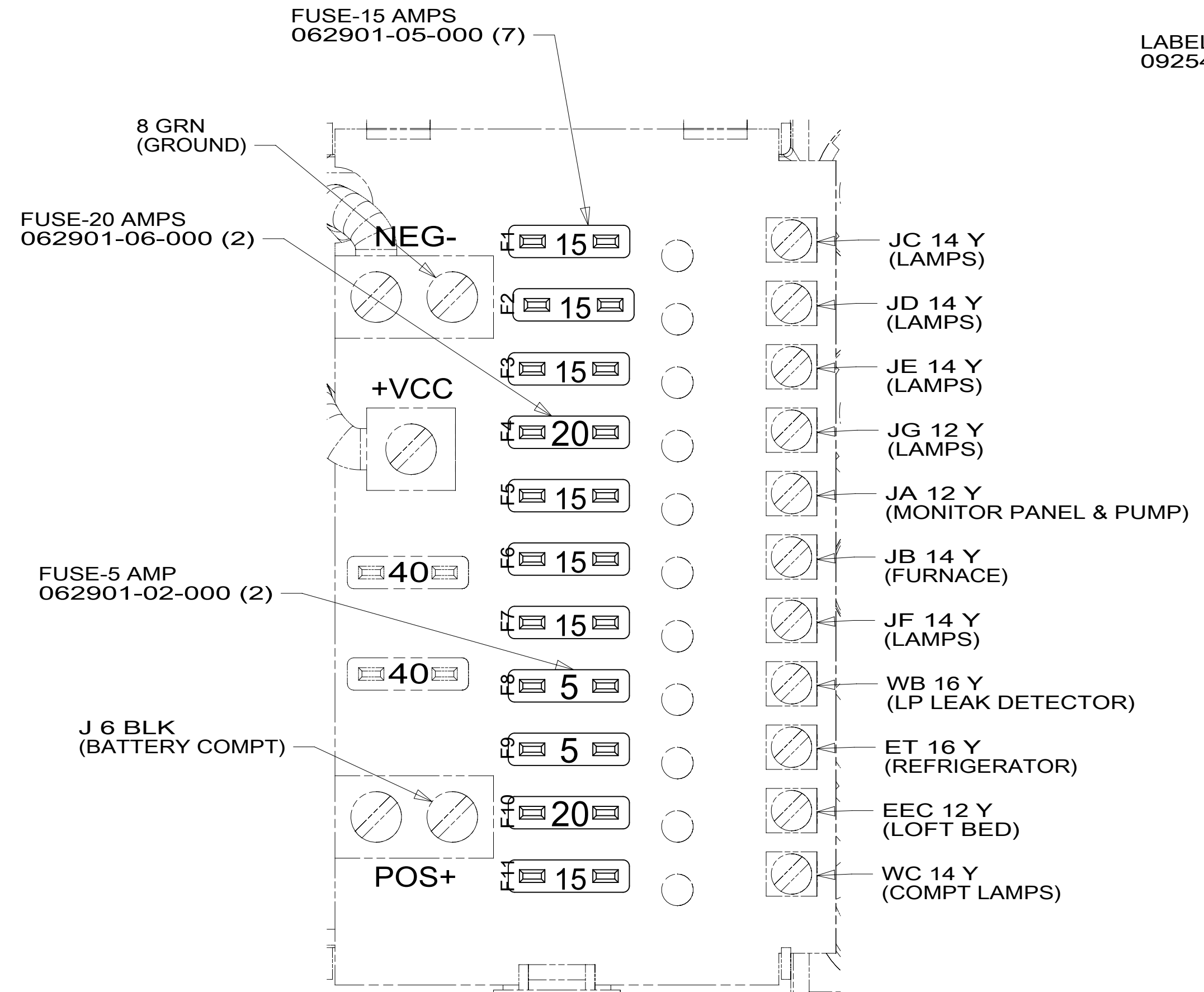
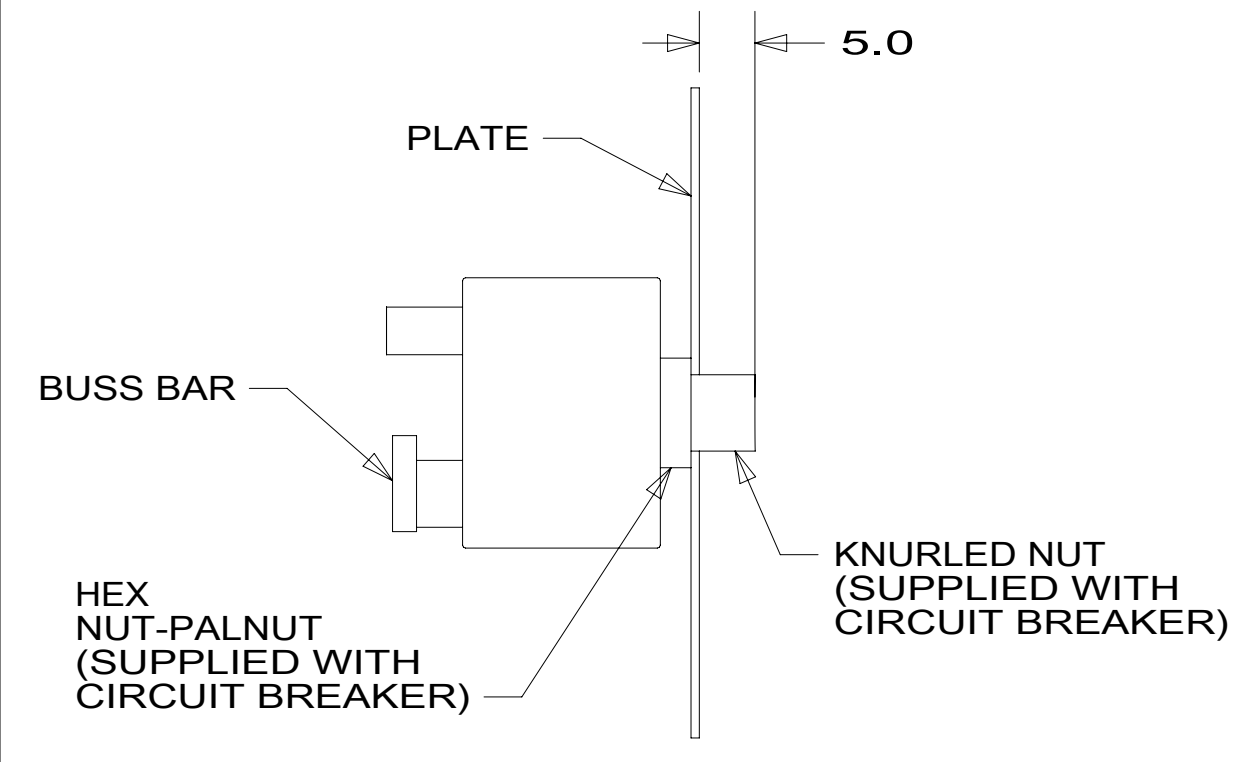
DETAIL EA



DETAIL EB (BACK VIEW)



DETAIL EB (FRONT VIEW)



DETAIL ED

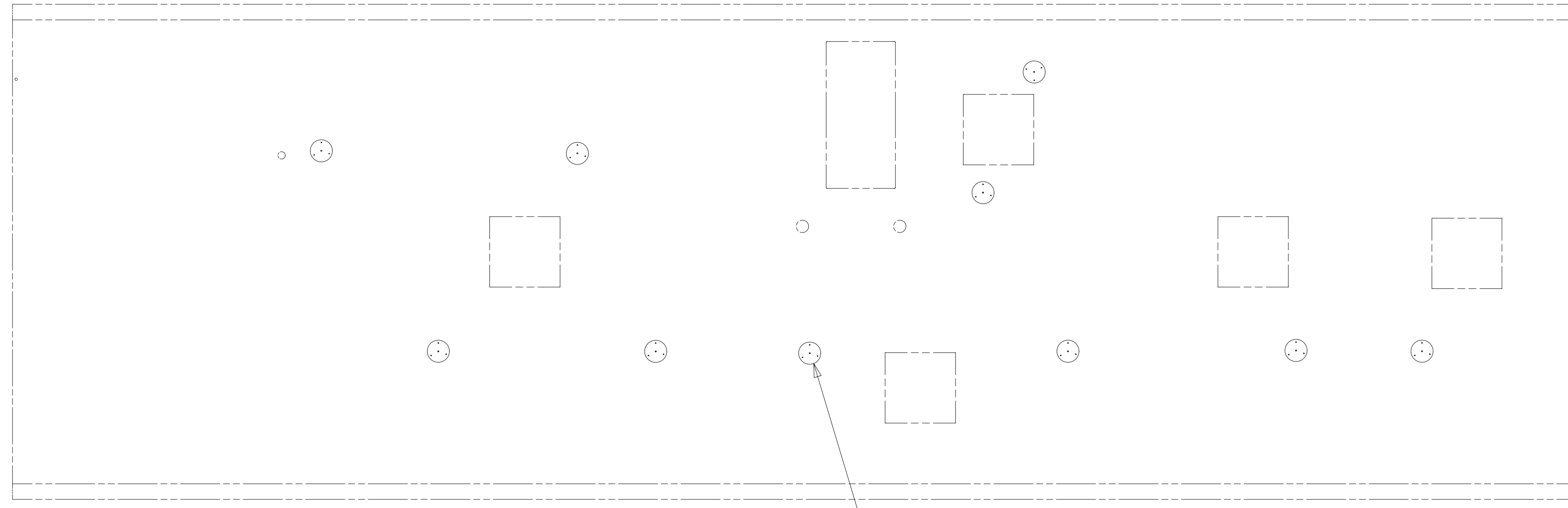
FOR ELECTRICAL TORQUE SPECIFICATIONS SEE DWG NO. 128783-01-000

FOR ELECTRICAL CALLOUTS SEE DWG NO. 121339-01-000

- 45B LOFT BED
- 45D LOFT BED - WITHOUT
- 265 CODES/STANDARDS-CSA/CMVSS
- 1B1 CODES/STANDARDS USA

DESCRIPTION:		1B1 265	
WIRING INSTL-BODY, 12V			
SHEET:	ITEM/PART NO.:	REV	
5 OF 7	000164056 / 32902101000		

8 7 6 5 4 3 2 1



LIGHT-LED,ROUND 4.5 PLASTIC
000166889 / 329926-01-CHT (10)
SCREW
G13-06-16U (30)
CONNECTOR
58028-01-000 (20)

D
C
B
A

D
C
B
A



8 7 6 5 4 3 2 1

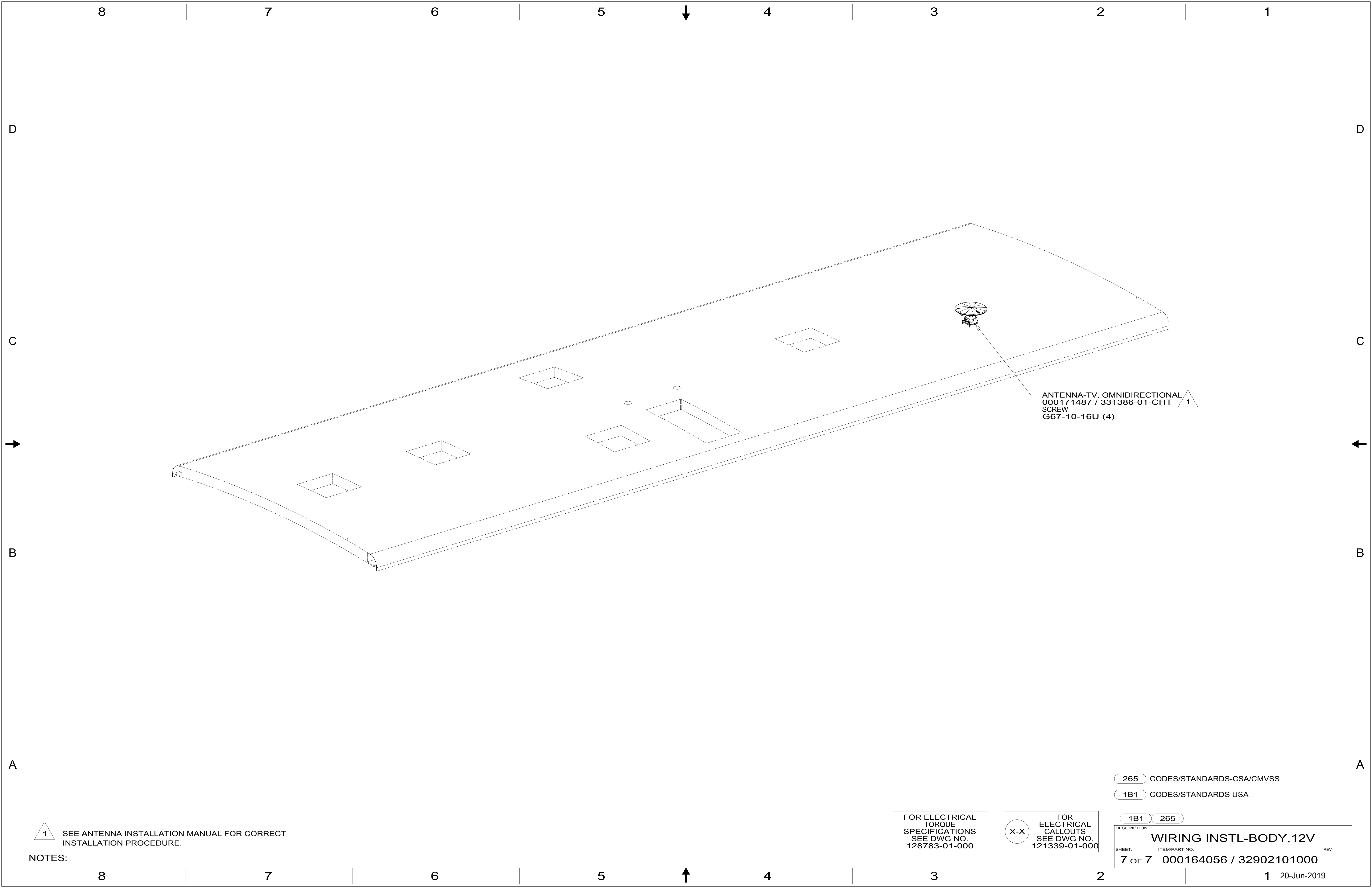


265 CODES/STANDARDS-CSA/CMVSS
1B1 CODES/STANDARDS USA

FOR ELECTRICAL
TORQUE
SPECIFICATIONS
SEE DWG NO.
128783-01-000

FOR
ELECTRICAL
CALLOUTS
SEE DWG NO.
121339-01-000

1B1 265	
DESCRIPTION: WIRING INSTL-BODY, 12V	
SHEET: 6 OF 7	ITEM/PART NO: 000164056 / 32902101000
REV	



1 SEE ANTENNA INSTALLATION MANUAL FOR CORRECT INSTALLATION PROCEDURE.

NOTES:

FOR ELECTRICAL TORQUE SPECIFICATIONS SEE DWG NO. 128783-01-000

FOR ELECTRICAL CALLOUTS SEE DWG NO. 121339-01-000

265 CODES/STANDARDS-CSA/CMVSS

1B1 CODES/STANDARDS USA

1B1 265

DESCRIPTION: WIRING INSTL-BODY, 12V

SHEET: 7 OF 7 ITEM/PART NO.: 000164056 / 32902101000 REV