

- 4 ATTACH TO STICK WORK USING BRACKETS AND SCREWS THAT COME WITH CONVERTER.
3. WHERE WIRES PASS THROUGH HOLES IN STEEL AND NOT OTHERWISE PROTECTED, USE GROMMET 92908-02-000.
2. ALL WIRES TO BE SECURED WITH CLAMP 10495-01-000 OR CLIP 80734-01-000 EVERY 600MM. USE SCREW G67-10-12U UNLESS OTHERWISE SPECIFIED.
1. 110V WIRE TO BE CLAMPED WITH CLAMP 10497-05-000 WITHIN 200MM OF OUTLET BOXES, USE SCREW G67-10-12U.

FOR ELECTRICAL TORQUE SPECIFICATIONS SEE DWG NO. 128783-01-000

FOR ELECTRICAL CALLOUTS SEE DWG NO. 121339-01-000

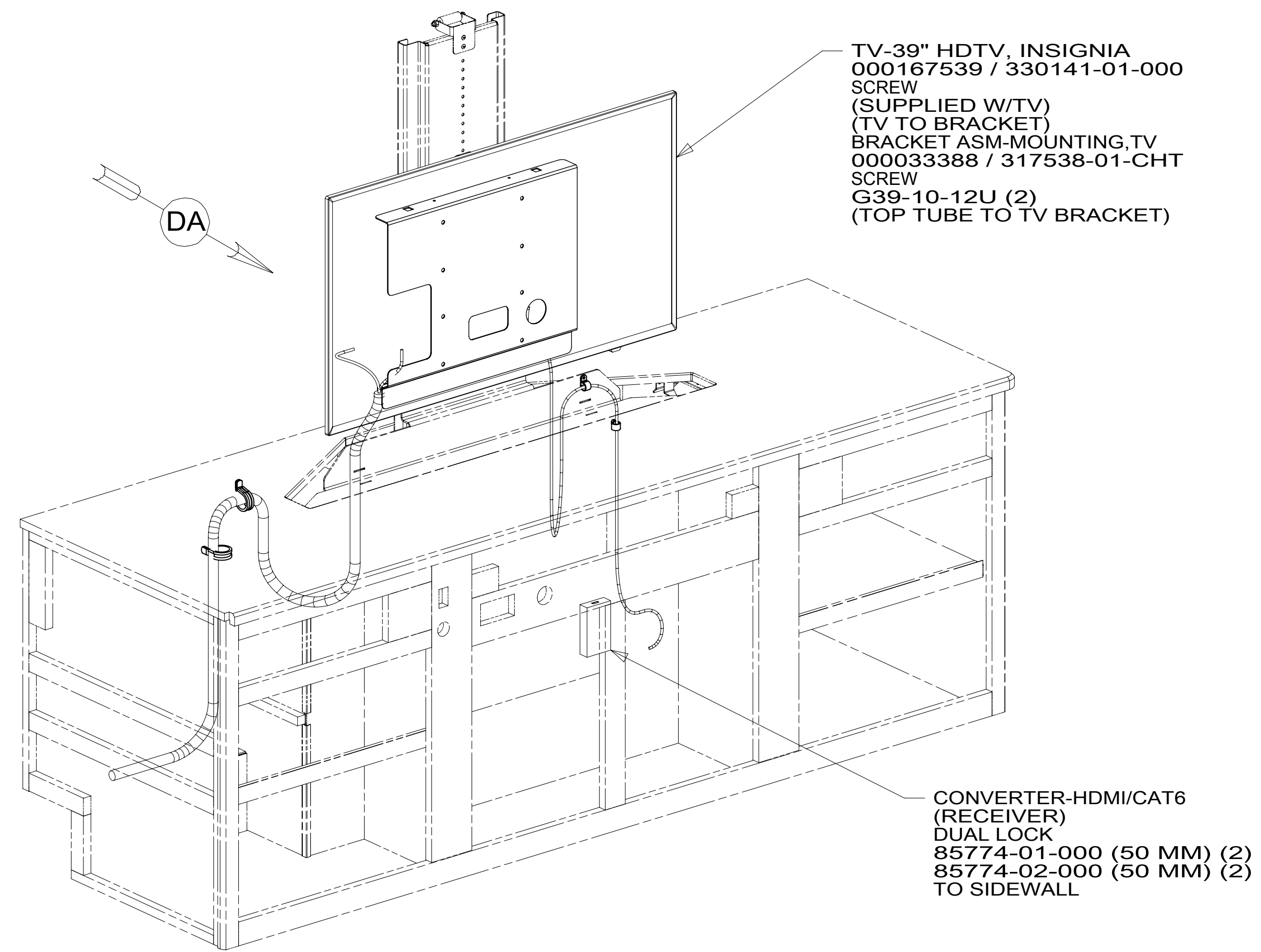
- 95R SATALLITE TV ANTENNA - AUTOM
- 78Z SATELLITE SYSTEM - WITHOUT
- 265 CODES/STANDARDS-CSA/CMVSS
- 1B1 CODES/STANDARDS USA

WINNEBAGO
COPYRIGHT 2016 WINNEBAGO INDUSTRIES, INC.

DSNR:	ALL DIMENSIONS ARE IN MILLIMETERS	
DFFR:		
UNSPECIFIED TOLERANCES:	MATERIAL:	
WHOLE DIM (X) :	3	
ONE-PLACE (X.X) :	1.5	
TWO-PLACE (X.XX) :	0.50	
ANGLE :	1°	
REFER TO ES0018 FOR FASTENER TIGHTENING GUIDELINES	WEIGHT: (LBS)	FIRST USED:
		19 F30T
DESCRIPTION: WIRING INSTL-TV/DVD		
SHEET: 1 OF 4	ITEM/PART NO: 000162012 / 32853301000	REV:
REF:		1 23-Jan-2019

8 7 6 5 4 3 2 1

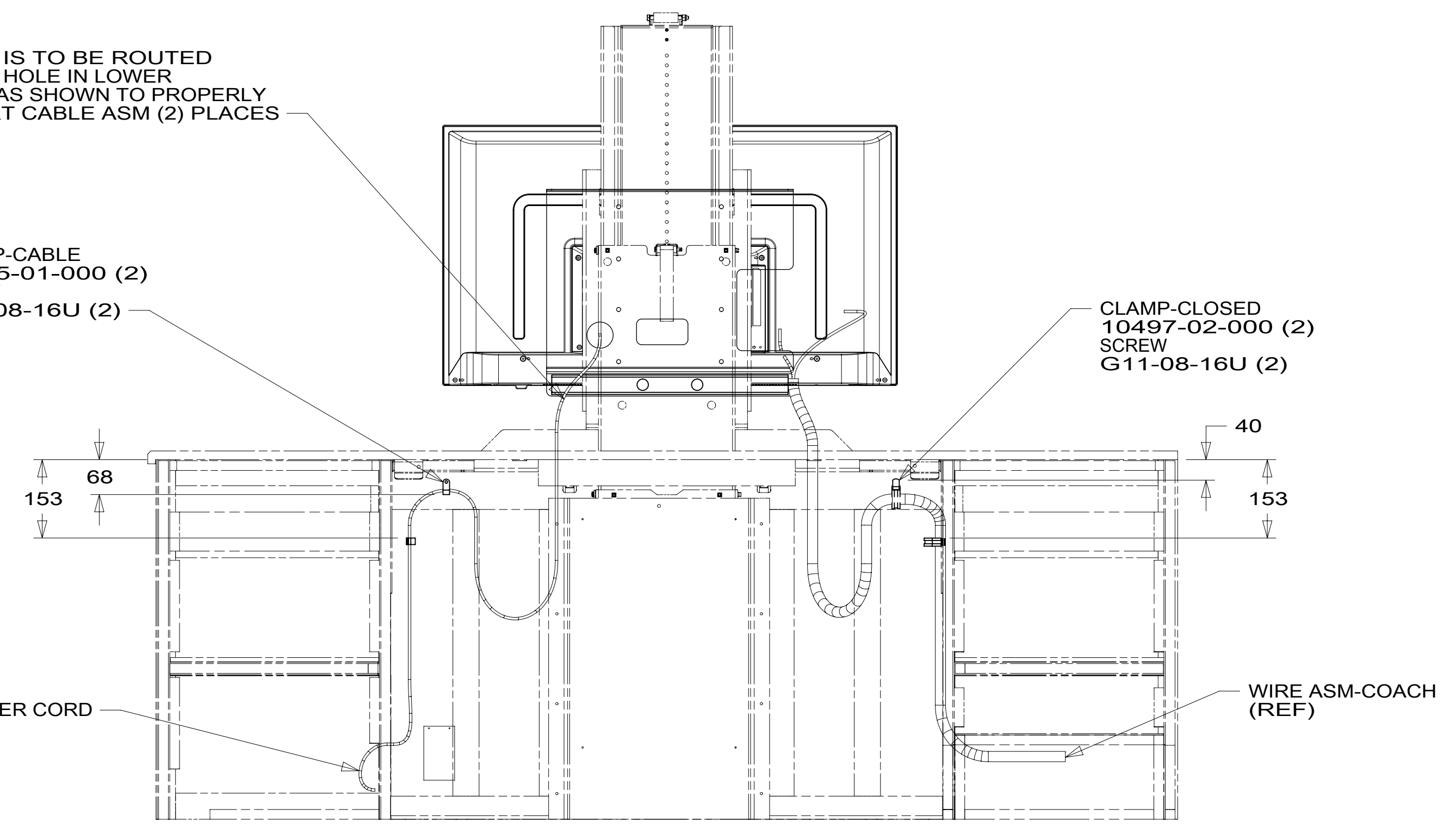
D
C
B
A



WIRE TIE IS TO BE ROUTED THROUGH HOLE IN LOWER BRACKET AS SHOWN TO PROPERLY SUPPORT CABLE ASM (2) PLACES

CLAMP-CABLE
10495-01-000 (2)
SCREW
G11-08-16U (2)

CLAMP-CLOSED
10497-02-000 (2)
SCREW
G11-08-16U (2)



VIEW DA

265 CODES/STANDARDS-CSA/CMVSS
1B1 CODES/STANDARDS USA

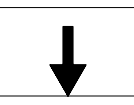
FOR ELECTRICAL TORQUE SPECIFICATIONS SEE DWG NO. 128783-01-000

FOR ELECTRICAL CALLOUTS SEE DWG NO. 121339-01-000

DESCRIPTION:	1B1 265	
WIRING INSTL-TV/DVD		
SHEET:	ITEM/PART NO:	REV
2 OF 4	000162012 / 32853301000	

8 7 6 5 4 3 2 1 23-Jan-2019

8 7 6 5 4 3 2 1



TV-24" HDTV, INSIGNIA
000167921 / 330227-01-000
PLATE ASM-TV
000168018 / 330250-01-CHT
NUT
000D65-08-00U (2)
SCREW
000G19-10-10U (2)

SIDEWALL ASM-RIGHT
(REF)

CABINET ASM-BEDROOM
(REF)

CA

BRACKET-TV
000201589 / 302683-01-CHT
SCREW
G11-08-12U (6)
SCREW
G39-10-08U (2)
PLATE-MOUNTING
000201589 / 302643-01-CHT
SCREW
OMG02U-04-012 (4)
WASHER
OME02U-04-071 (4)

380

688

VIEW CA
(TV NOT SHOWN)

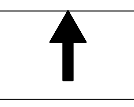
- 68X TV - BEDROOM
- 265 CODES/STANDARDS-CSA/CMVSS
- 1B1 CODES/STANDARDS USA

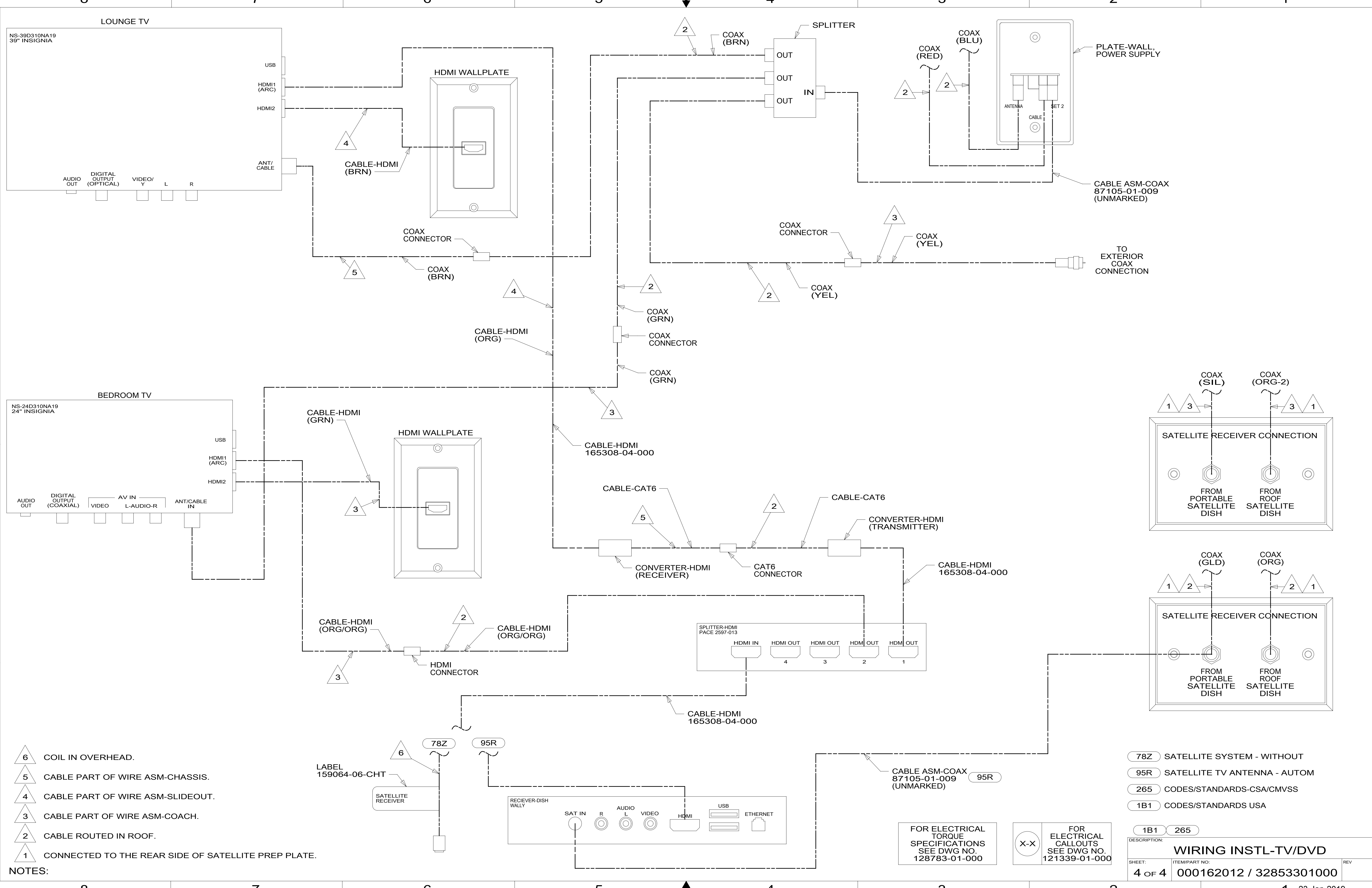
FOR ELECTRICAL TORQUE SPECIFICATIONS SEE DWG NO. 128783-01-000

FOR ELECTRICAL CALLOUTS SEE DWG NO. 121339-01-000

DESCRIPTION:	1B1 265 68X	
WIRING INSTL-TV/DVD		
SHEET:	ITEM/PART NO.:	REV
3 OF 4	000162012 / 32853301000	

8 7 6 5 4 3 2 1





- NOTES:
- 6 COIL IN OVERHEAD.
 - 5 CABLE PART OF WIRE ASM-CHASSIS.
 - 4 CABLE PART OF WIRE ASM-SLIDEOUT.
 - 3 CABLE PART OF WIRE ASM-COACH.
 - 2 CABLE ROUTED IN ROOF.
 - 1 CONNECTED TO THE REAR SIDE OF SATELLITE PREP PLATE.

- 78Z SATELLITE SYSTEM - WITHOUT
- 95R SATELLITE TV ANTENNA - AUTOM
- 265 CODES/STANDARDS-CSA/CMVSS
- 1B1 CODES/STANDARDS USA

FOR ELECTRICAL TORQUE SPECIFICATIONS SEE DWG NO. 128783-01-000

FOR ELECTRICAL CALLOUTS SEE DWG NO. 121339-01-000

DESCRIPTION: WIRING INSTL-TV/DVD		
SHEET: 4 OF 4	ITEM/PART NO: 000162012 / 32853301000	REV
23-Jan-2019		