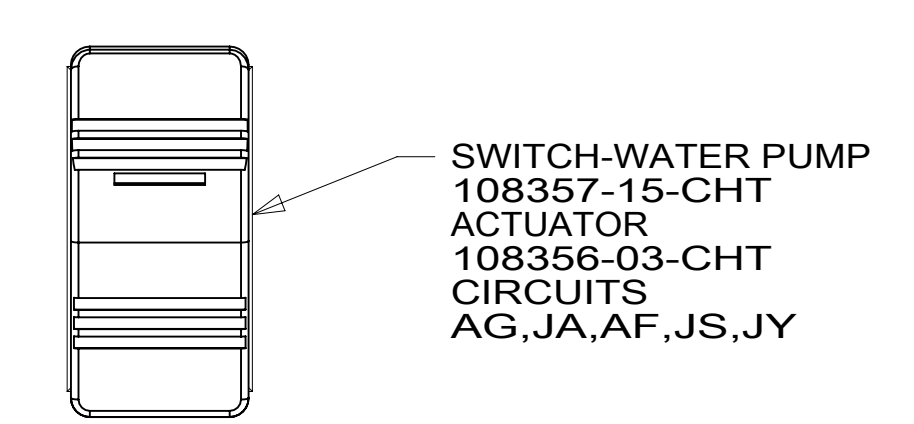
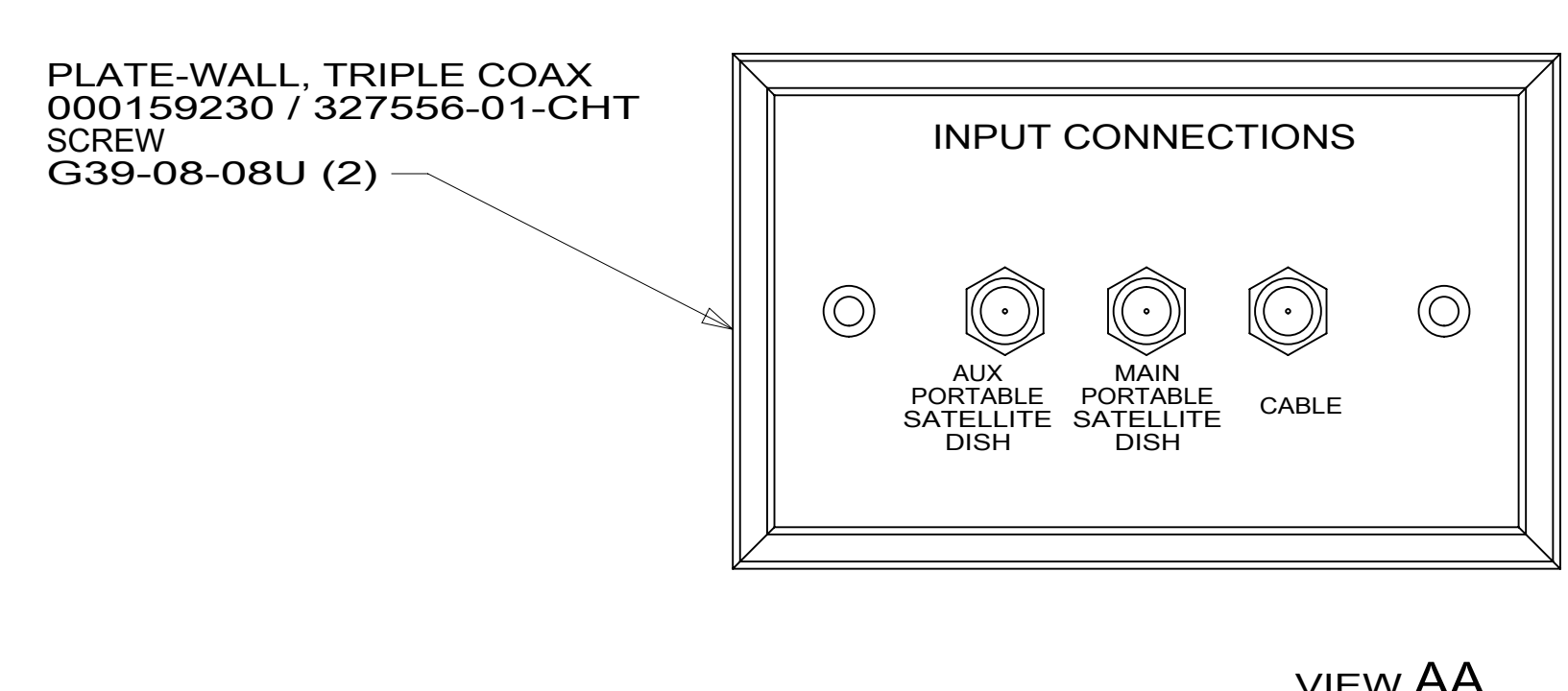


- 5 WIRING IS PART OF WIRE ASM-CHASSIS.
- 4 WIRE PASSES THROUGH FLOOR IN THIS AREA.
- 3 PLACE CROSS LOCATOR ON SENSORS OVER DIMPLES ON TANK.
2. ROUTE TANK SENSOR WIRES SO THEY DO NOT PASS OVER SENSORS. USE WIRE TIE MOUNT 155366-01-000 AND WIRE TIE 8343-01-000 AS NEEDED. TANK SURFACE MUST BE CLEANED USING ISOPROPYL ALCOHOL AND PRIMED WITH PRIMER 94.
1. AT MINIMUM ALL WIRES TO BE SUPPORTED AND SECURED PER CODE REQUIREMENTS. USE CLAMP 10495 OR 10497 OR WIRE TIE 8343 OR 108046 AND SCREW G67-XX-XXX OR G56-XX-XXX AS APPROPRIATE FOR INSTALLATION.

NOTES:



FOR ELECTRICAL TORQUE SPECIFICATIONS SEE DWG NO. 128783-01-000

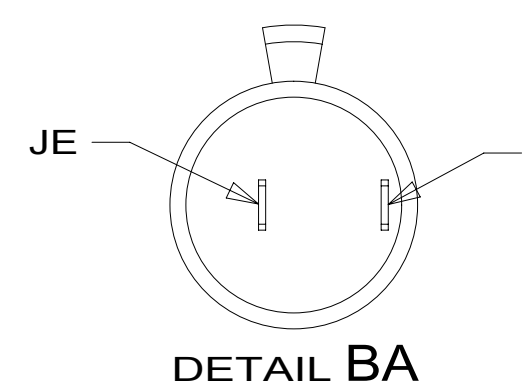
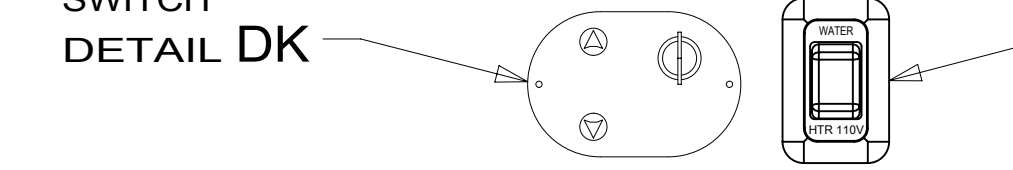
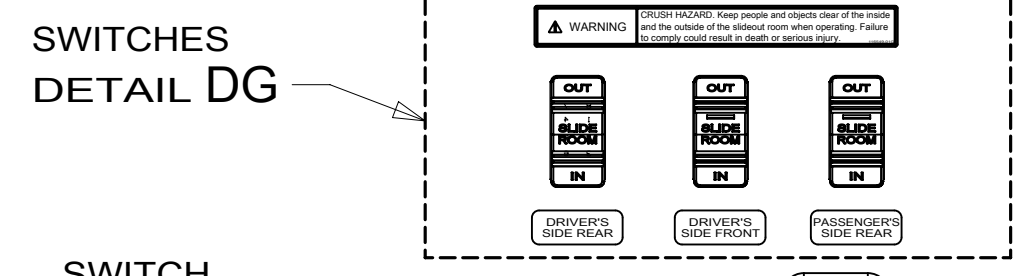
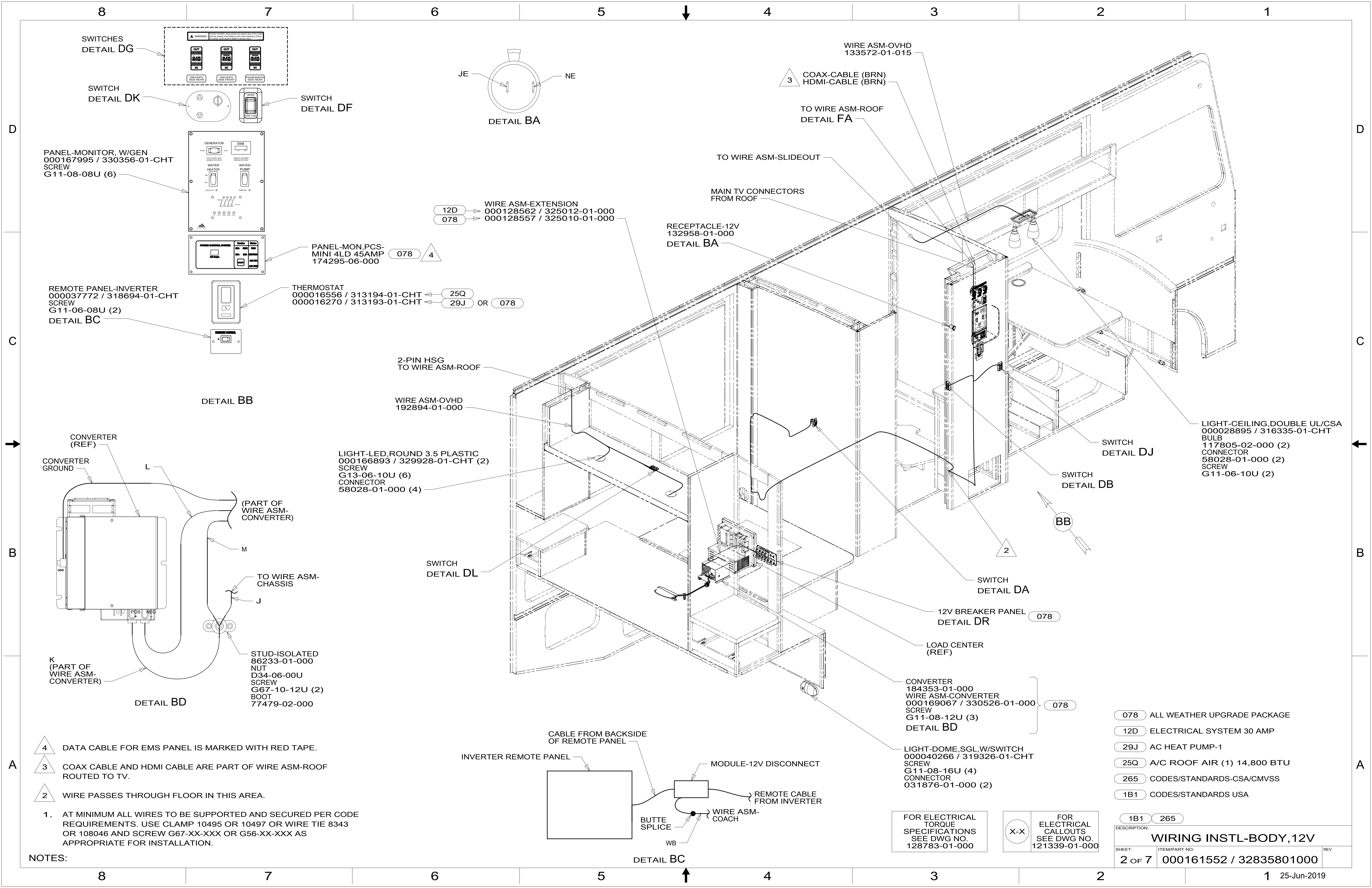
FOR ELECTRICAL CALLOUTS SEE DWG NO. 121339-01-000

- 95R SATALLITE TV ANTENNA - AUTOM
- 265 CODES/STANDARDS-CSA/CMVSS
- 1B1 CODES/STANDARDS USA

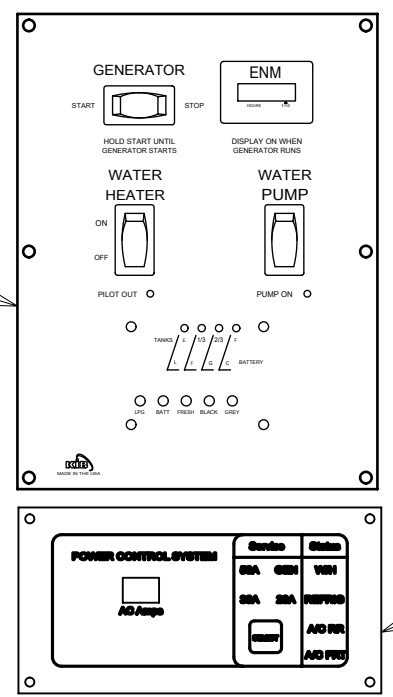
1B1 265

WINNEBAGO
COPYRIGHT 2016 WINNEBAGO INDUSTRIES, INC.

DSNR:	ALL DIMENSIONS ARE IN MILLIMETERS
DFFR:	
UNSPECIFIED TOLERANCES:	MATERIAL:
WHOLE DIM (X) : 3	
ONE-PLACE (X.X) : 1.5	
TWO-PLACE (X.XX) : 0.50	
ANGLE : 1°	
REFER TO ES0018 FOR FASTENER TIGHTENING GUIDELINES	WEIGHT: (LBS) FIRST USED: 19 F27N
DESCRIPTION: WIRING INSTL-BODY, 12V	
SHEET: 1 OF 7	ITEM/PART NO: 000161552 / 32835801000
REF:	

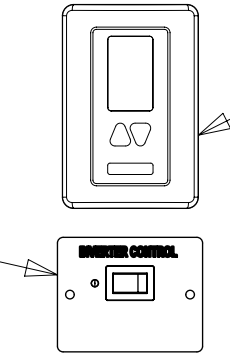


PANEL-MONITOR, W/GEN
000167995 / 330356-01-CHT
SCREW
G11-08-08U (6)



PANEL-MON, PCS-MINI 4LD 45AMP
174295-06-000 078 4

REMOTE PANEL-INVERTER
000037772 / 318694-01-CHT
SCREW
G11-06-08U (2)
DETAIL BC



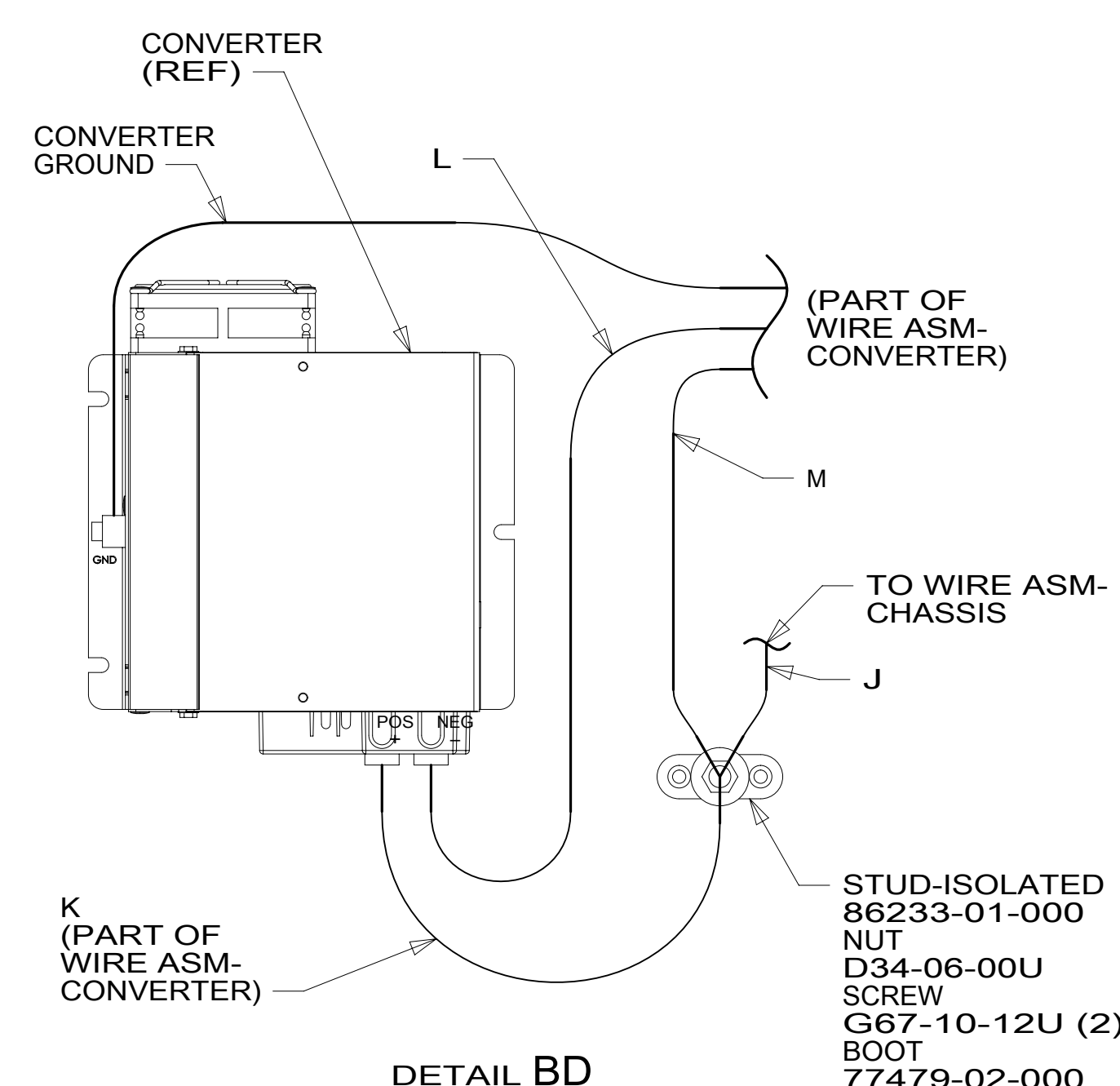
THERMOSTAT
000016556 / 313194-01-CHT 25Q
000016270 / 313193-01-CHT 29J OR 078

2-PIN HSG TO WIRE ASM-ROOF

WIRE ASM-OVHD
192894-01-000

LIGHT-LED, ROUND 3.5 PLASTIC
000166893 / 329928-01-CHT (2)
SCREW
G13-06-10U (6)
CONNECTOR
58028-01-000 (4)

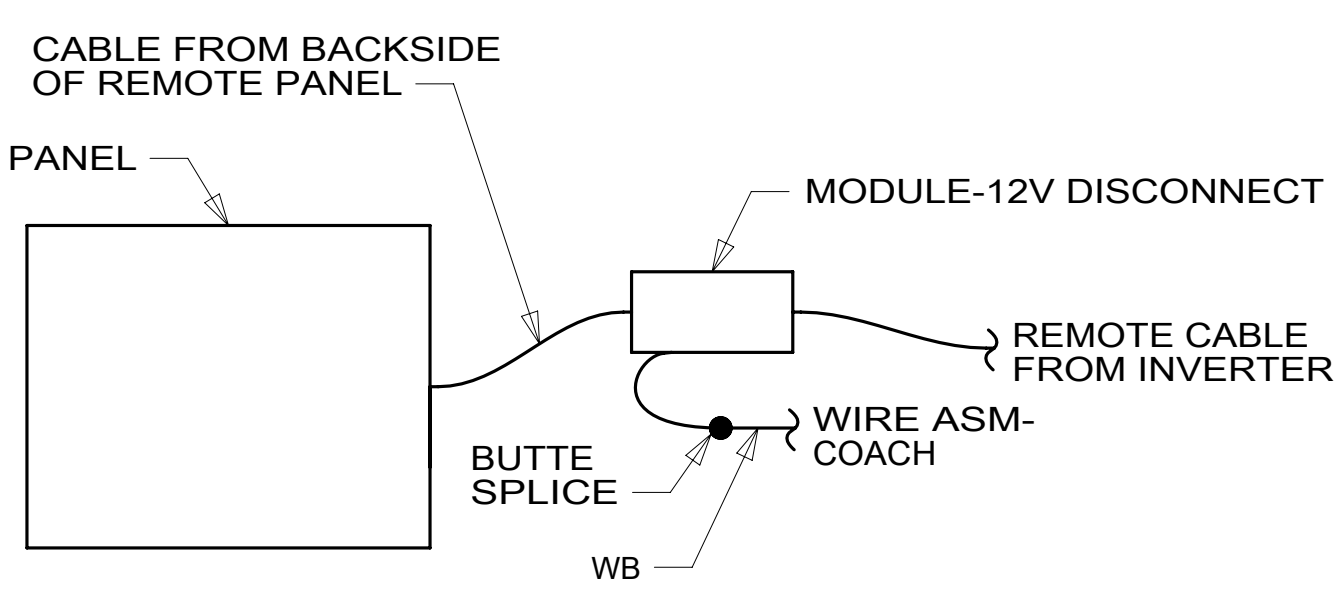
SWITCH
DETAIL DL



- 4 DATA CABLE FOR EMS PANEL IS MARKED WITH RED TAPE.
- 3 COAX CABLE AND HDMI CABLE ARE PART OF WIRE ASM-ROOF ROUTED TO TV.
- 2 WIRE PASSES THROUGH FLOOR IN THIS AREA.

1. AT MINIMUM ALL WIRES TO BE SUPPORTED AND SECURED PER CODE REQUIREMENTS. USE CLAMP 10495 OR 10497 OR WIRE TIE 8343 OR 108046 AND SCREW G67-XX-XXX OR G56-XX-XXX AS APPROPRIATE FOR INSTALLATION.

NOTES:



WIRE ASM-OVHD
133572-01-015

3 COAX-CABLE (BRN)
HDMI-CABLE (BRN)

TO WIRE ASM-ROOF
DETAIL FA

TO WIRE ASM-SLIDEOUT

MAIN TV CONNECTORS
FROM ROOF

RECEPTACLE-12V
132958-01-000
DETAIL BA

LIGHT-CEILING, DOUBLE UL/CSA
000028895 / 316335-01-CHT
BULB
117805-02-000 (2)
CONNECTOR
58028-01-000 (2)
SCREW
G11-06-10U (2)

SWITCH
DETAIL DJ

SWITCH
DETAIL DB

SWITCH
DETAIL DA

12V BREAKER PANEL
DETAIL DR 078

LOAD CENTER
(REF)

CONVERTER
184353-01-000
WIRE ASM-CONVERTER
000169067 / 330526-01-000
SCREW
G11-08-12U (3)
DETAIL BD 078

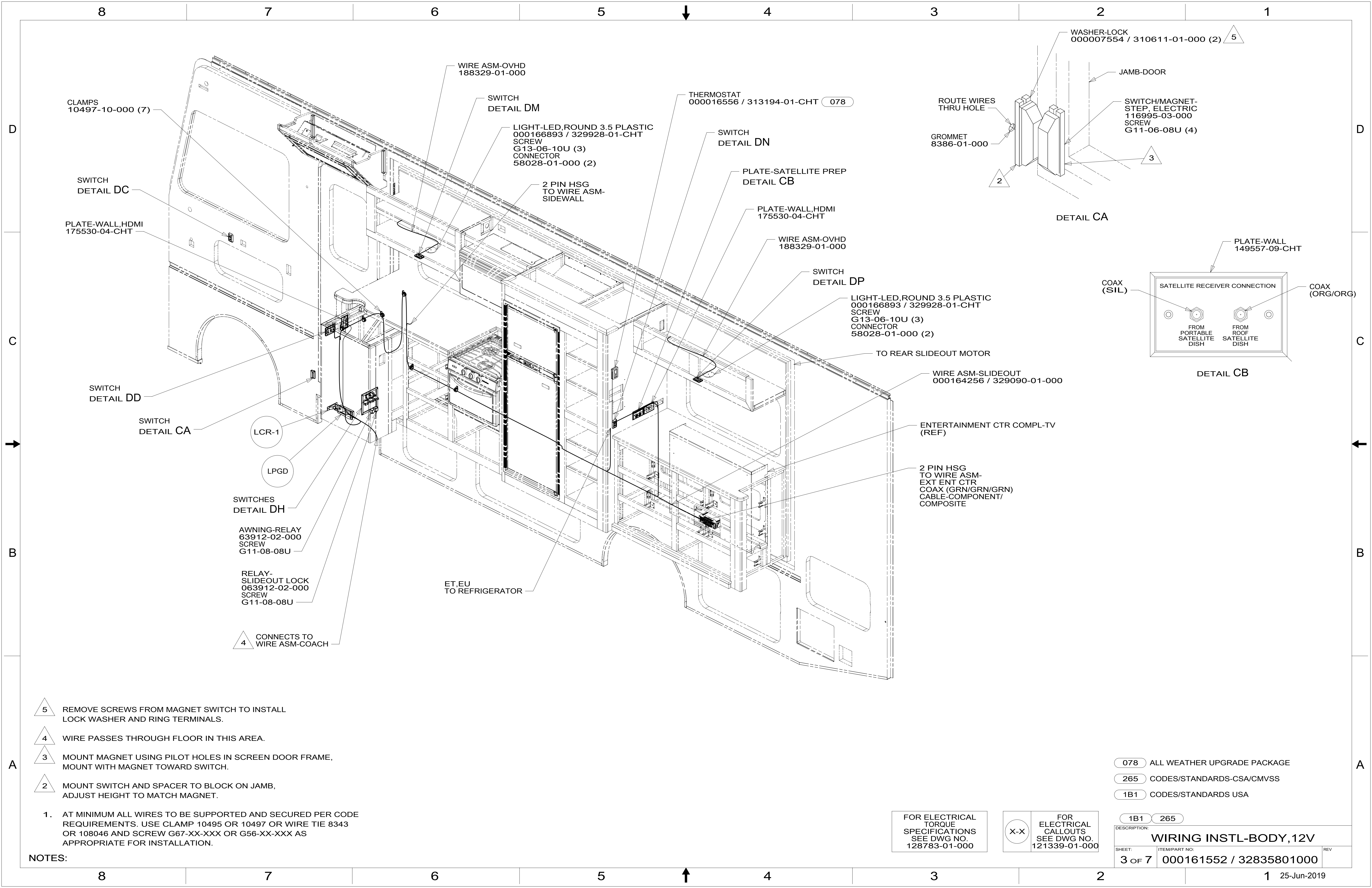
LIGHT-DOME, SGL, W/SWITCH
000040266 / 319326-01-CHT
SCREW
G11-08-16U (4)
CONNECTOR
031876-01-000 (2)

- 078 ALL WEATHER UPGRADE PACKAGE
- 12D ELECTRICAL SYSTEM 30 AMP
- 29J AC HEAT PUMP-1
- 25Q A/C ROOF AIR (1) 14,800 BTU
- 265 CODES/STANDARDS-CSA/CMVSS
- 1B1 CODES/STANDARDS USA

FOR ELECTRICAL
TORQUE
SPECIFICATIONS
SEE DWG NO.
128783-01-000

FOR ELECTRICAL
CALLOUTS
SEE DWG NO.
121339-01-000

DESCRIPTION: WIRING INSTL-BODY, 12V		
SHEET: 2 OF 7	ITEM/PART NO: 000161552 / 32835801000	REV



CLAMPS
10497-10-000 (7)

SWITCH
DETAIL DC

PLATE-WALL,HDMI
175530-04-CHT

SWITCH
DETAIL DD

SWITCH
DETAIL CA

LCR-1

LPGD

SWITCHES
DETAIL DH

AWNING-RELAY
63912-02-000
SCREW
G11-08-08U

RELAY-
SLIDEOUT LOCK
063912-02-000
SCREW
G11-08-08U

4 CONNECTS TO
WIRE ASM-COACH

WIRE ASM-OVHD
188329-01-000

SWITCH
DETAIL DM

LIGHT-LED,ROUND 3.5 PLASTIC
000166893 / 329928-01-CHT
SCREW
G13-06-10U (3)
CONNECTOR
58028-01-000 (2)

2 PIN HSG
TO WIRE ASM-
SIDEWALL

ET,EU
TO REFRIGERATOR

THERMOSTAT
000016556 / 313194-01-CHT 078

SWITCH
DETAIL DN

PLATE-SATELLITE PREP
DETAIL CB

PLATE-WALL,HDMI
175530-04-CHT

WIRE ASM-OVHD
188329-01-000

SWITCH
DETAIL DP

LIGHT-LED,ROUND 3.5 PLASTIC
000166893 / 329928-01-CHT
SCREW
G13-06-10U (3)
CONNECTOR
58028-01-000 (2)

TO REAR SLIDEOUT MOTOR

WIRE ASM-SLIDEOUT
000164256 / 329090-01-000

ENTERTAINMENT CTR COMPL-TV
(REF)

2 PIN HSG
TO WIRE ASM-
EXT ENT CTR
COAX (GRN/GRN/GRN)
CABLE-COMPONENT/
COMPOSITE

ROUTE WIRES
THRU HOLE

GROMMET
8386-01-000

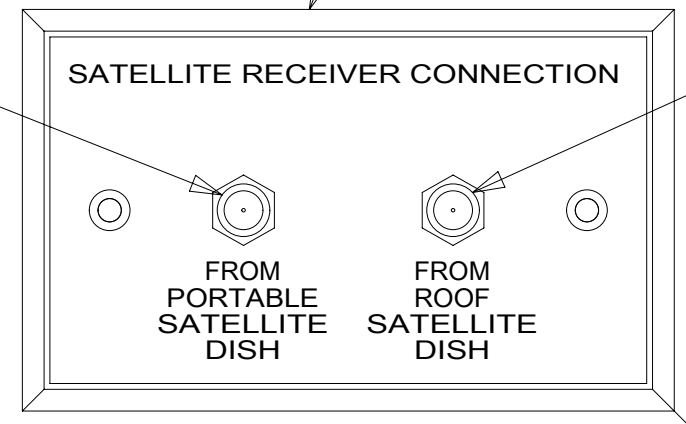
DETAIL CA

WASHER-LOCK
000007554 / 310611-01-000 (2) 5

JAMB-DOOR

SWITCH/MAGNET-
STEP, ELECTRIC
116995-03-000
SCREW
G11-06-08U (4)

COAX
(SIL)



DETAIL CB

PLATE-WALL
149557-09-CHT

5 REMOVE SCREWS FROM MAGNET SWITCH TO INSTALL LOCK WASHER AND RING TERMINALS.

4 WIRE PASSES THROUGH FLOOR IN THIS AREA.

3 MOUNT MAGNET USING PILOT HOLES IN SCREEN DOOR FRAME, MOUNT WITH MAGNET TOWARD SWITCH.

2 MOUNT SWITCH AND SPACER TO BLOCK ON JAMB, ADJUST HEIGHT TO MATCH MAGNET.

1. AT MINIMUM ALL WIRES TO BE SUPPORTED AND SECURED PER CODE REQUIREMENTS. USE CLAMP 10495 OR 10497 OR WIRE TIE 8343 OR 108046 AND SCREW G67-XX-XXX OR G56-XX-XXX AS APPROPRIATE FOR INSTALLATION.

NOTES:

078 ALL WEATHER UPGRADE PACKAGE

265 CODES/STANDARDS-CSA/CMVSS

1B1 CODES/STANDARDS USA

1B1 265

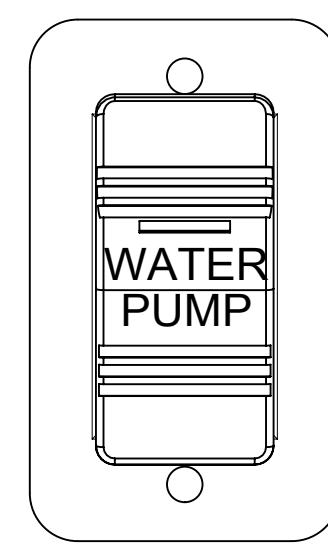
FOR ELECTRICAL
TORQUE
SPECIFICATIONS
SEE DWG NO.
128783-01-000

FOR ELECTRICAL
CALLOUTS
SEE DWG NO.
121339-01-000

DESCRIPTION:
WIRING INSTL-BODY, 12V

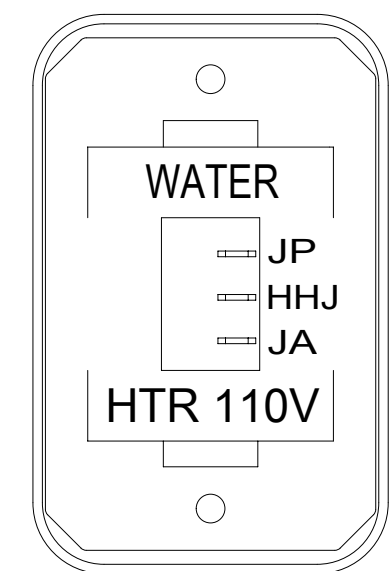
SHEET: 3 OF 7 ITEM/PART NO: 000161552 / 32835801000 REV

1 25-Jun-2019



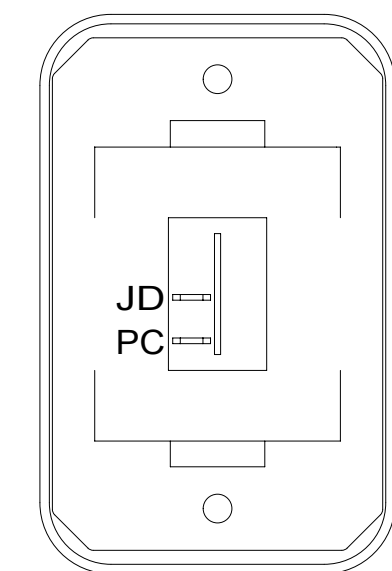
SWITCH-PUMP
108357-15-000
ACTUATOR
108356-23-CHT
PLATE
98351-07-CHT
SCREW
G11-06-10U (2)

DETAIL DA



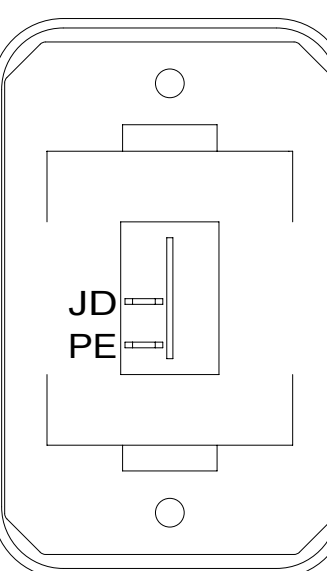
SWITCH-ROCKER
135740-06-CHT
SWITCH-BASE
135741-01-CHT
SWITCH-BEZEL
135742-35-CHT
SCREW
G11-08-08U (2)

DETAIL DF



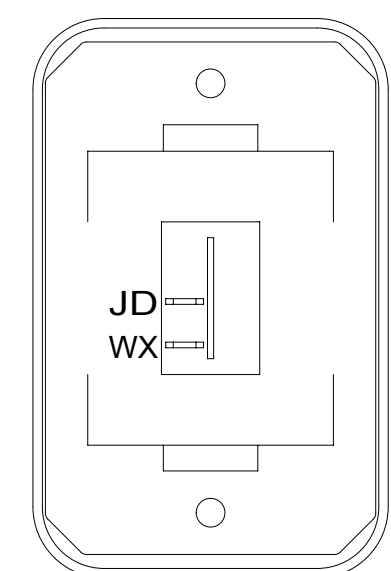
SWITCH-ROCKER
135740-01-CHT
SWITCH-BASE
135741-01-CHT
SWITCH-BEZEL
135742-01-CHT
SCREW
G11-08-08U (2)

DETAIL DN



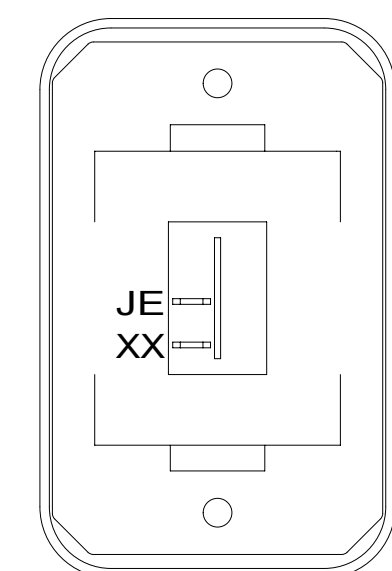
SWITCH-ROCKER
135740-01-CHT
SWITCH-BASE
135741-01-CHT
SWITCH-BEZEL
135742-01-CHT
SCREW
G11-08-08U (2)

DETAIL DB



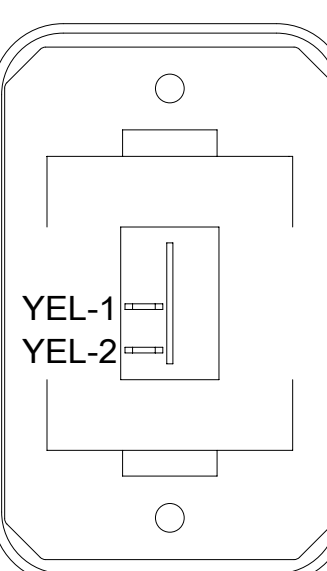
SWITCH-ROCKER
135740-01-CHT
SWITCH-BASE
135741-01-CHT
SWITCH-BEZEL
135742-01-CHT
SCREW
G11-08-08U (2)

DETAIL DJ



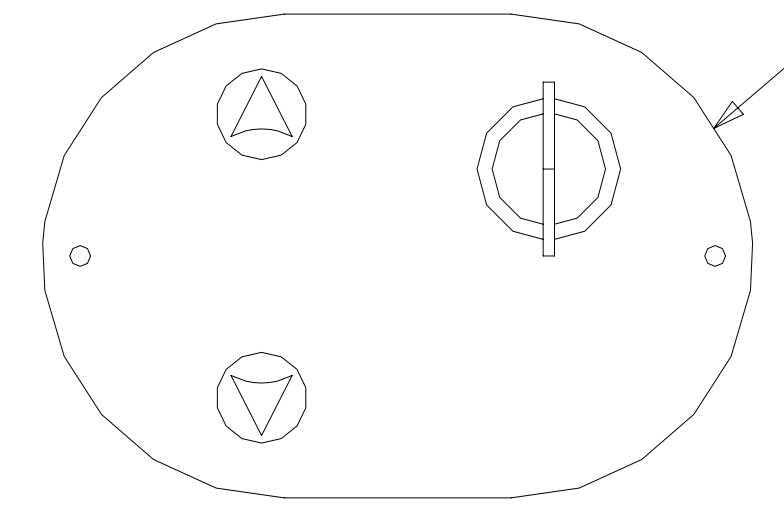
SWITCH-ROCKER
135740-01-CHT
SWITCH-BASE
135741-01-CHT
SWITCH-BEZEL
135742-01-CHT
SCREW
G11-08-08U (2)

DETAIL DP



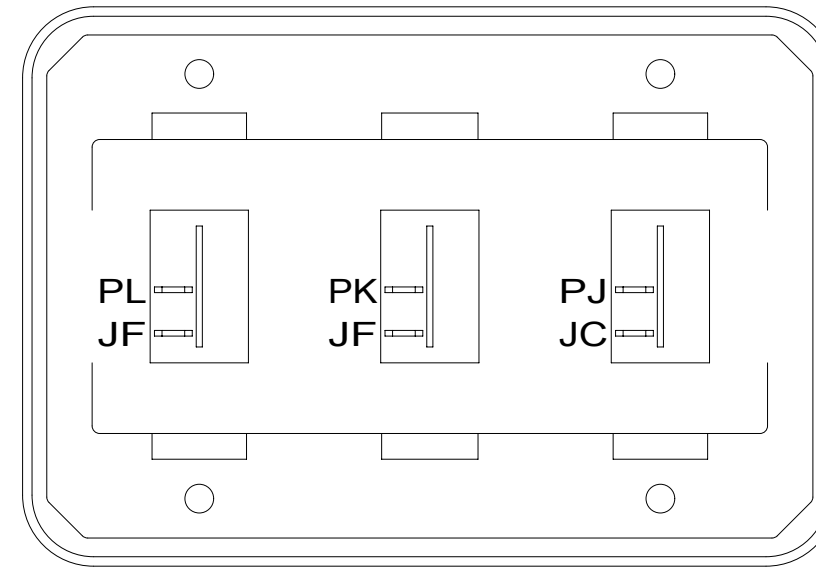
SWITCH-ROCKER
135740-01-CHT
SWITCH-BASE
135741-01-CHT
SWITCH-BEZEL
135742-01-CHT
SCREW
G11-08-08U (2)

DETAIL DC



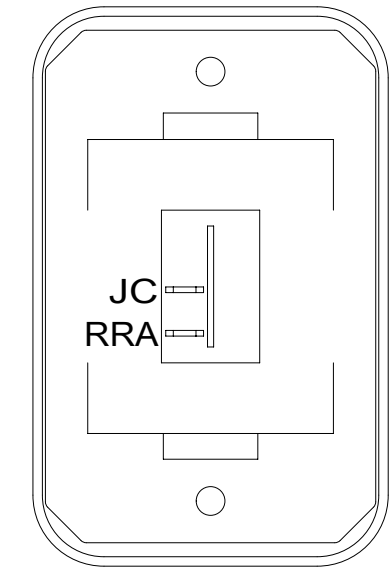
SWITCH-CONTROL,LOFTBED,TOUCH
189056-01-000
WIRE ASM-LOFT BED SWITCH
000122806 / 323456-01-000
SCREW
076790-05-000 (2)

DETAIL DK 45B



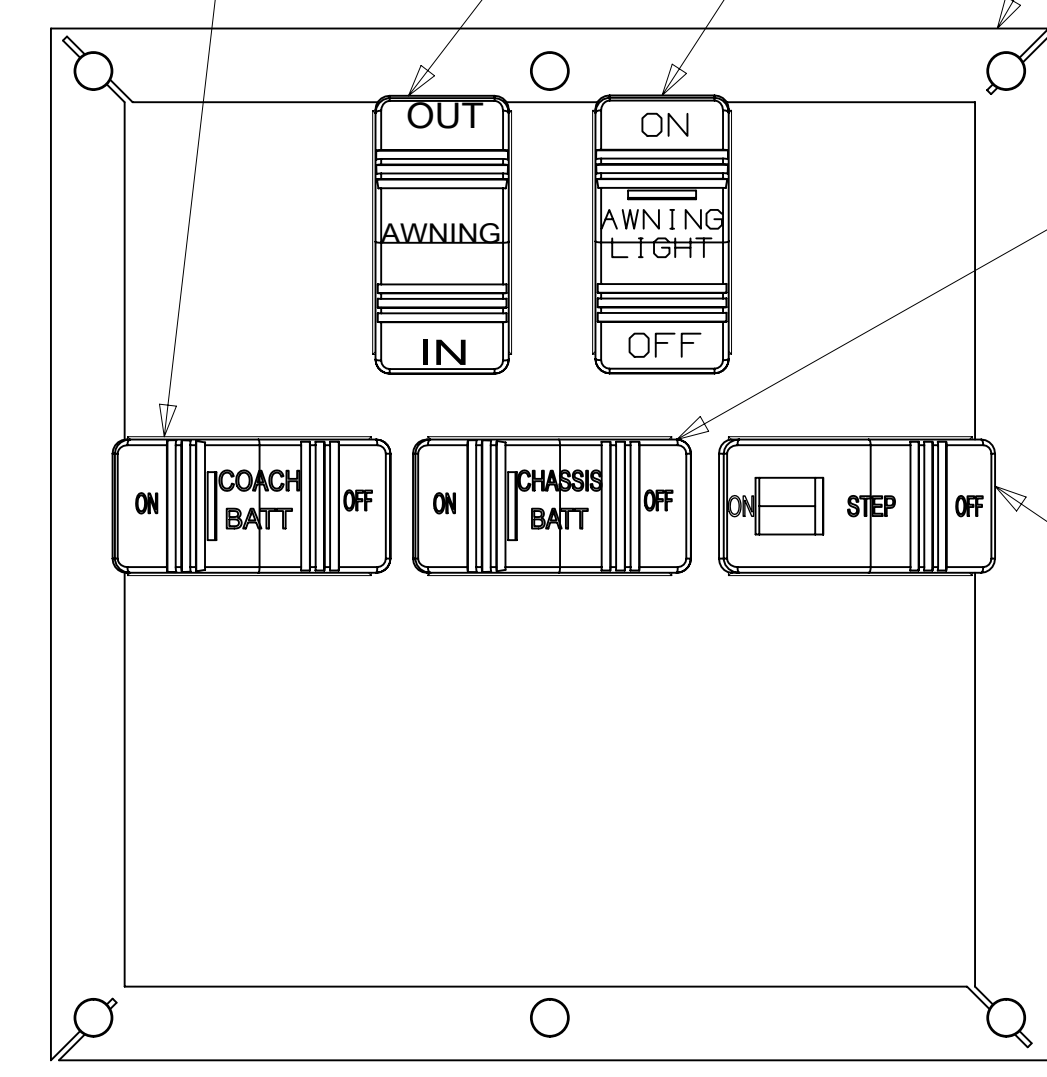
SWITCH-ROCKER
135740-01-CHT (3)
SWITCH-BASE
135741-03-CHT
SWITCH-BEZEL
135742-03-CHT
SCREW
G11-08-08U (4)

DETAIL DD



SWITCH-ROCKER
135740-01-CHT
SWITCH-BASE
135741-01-CHT
SWITCH-BEZEL
135742-01-CHT
SCREW
G11-08-08U (2)

DETAIL DL



DETAIL DH 1

PLATE-SWITCH
303611-01-CHT
SEAL-FUSE BOX
092492-25-000
SCREW
000G11-06-10U (6)

SWITCH-CHASSIS BATTERY
108357-18-000
ACTUATOR-SWITCH
108356-20-CHT
CIRCUITS
UUC,TTY,UUB
UUB,TTZ,MK
WIRE ASM-THERM
186796-01-000

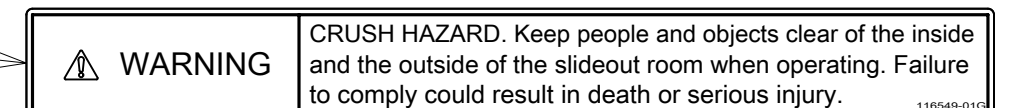
SWITCH-STEP
108357-19-000
CIRCUITS
ER,ES

SWITCH-COACH BATT
108357-18-000
ACTUATOR-SWITCH
108356-19-CHT
CIRCUITS
KF,LG,LJ,LH,WC
WIRE ASM-THERM
186796-01-000

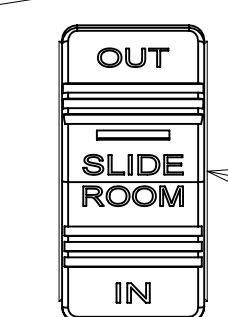
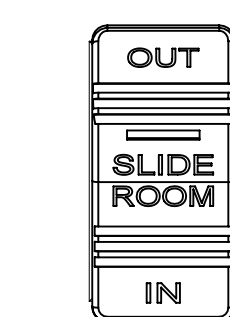
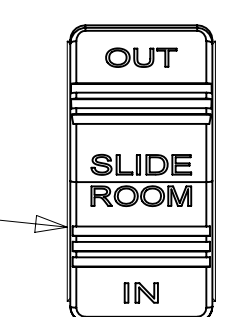
SWITCH-AWNING
108357-06-000
ACTUATOR-SWITCH
108356-12-CHT
CIRCUITS
FFD,FFR,FFE,
FFE,JJR,FFD

SWITCH-AWNING
108357-14-000
ACTUATOR-SWITCH
108356-28-CHT
CIRCUITS
SP,ZZL,WE,ZZL

LABEL-WARNING,SLIDEOUT
116549-01-000



SWITCH-ROCKER
108357-07-000
ACTUATOR-SWITCH
108356-24-CHT
CIRCUITS
BBM,DT,BBN



SWITCH
108357-18-000
ACTUATOR
108356-31-CHT
CIRCUITS
DU,KE,DR,ABY,ABZ

SWITCH
108357-18-000
ACTUATOR
108356-31-CHT
CIRCUITS
HHH,KE,HHG,ACC,ACD

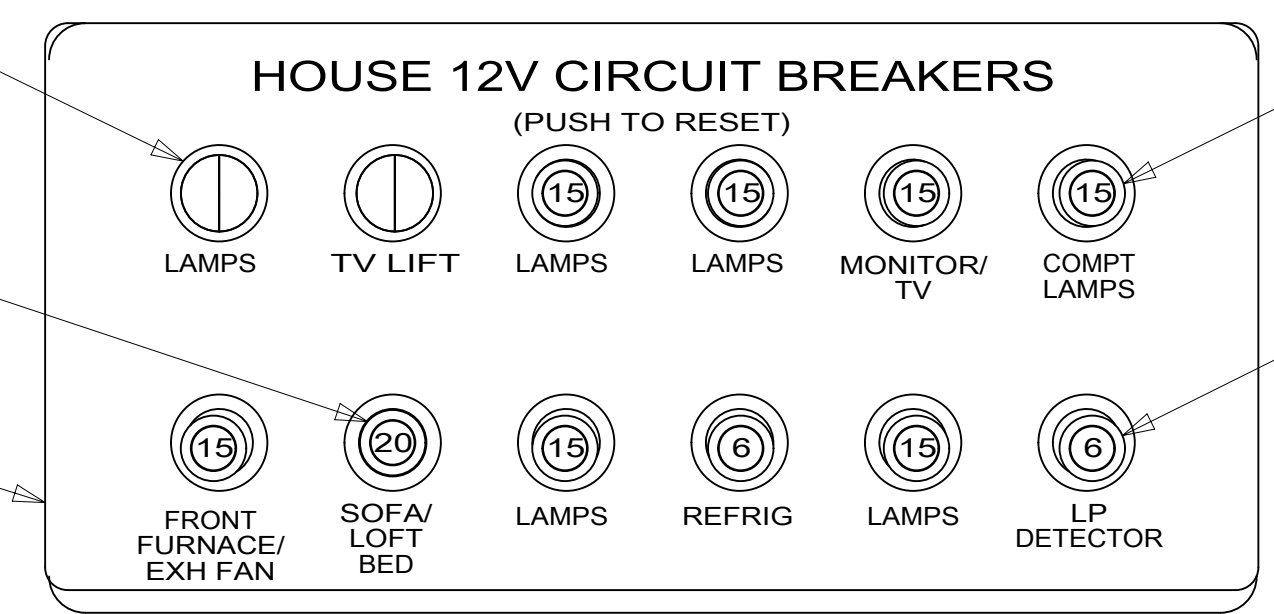
LABEL-SLIDEOUT
PASS,REAR
163992-03-CHT

LABEL-SLIDEOUT,
DRIVER,REAR
163992-02-CHT

LABEL-SLIDEOUT,
DRIVER,FRONT
163992-01-CHT

DETAIL DG

PLUG
81211-06-000 (2)
45D PLUG
81211-06-000
CIRCUIT BREAKER
45B 93654-03-000



CIRCUIT BREAKER
93654-02-000 (8)

CIRCUIT BREAKER
93654-01-000 (2)

LABEL
92547-17-000

DETAIL DR 078
(FRONT VIEW)

SCREW
G11-10-12U (4)

SCREW
G52-06-04U (10)

M
6 BLK

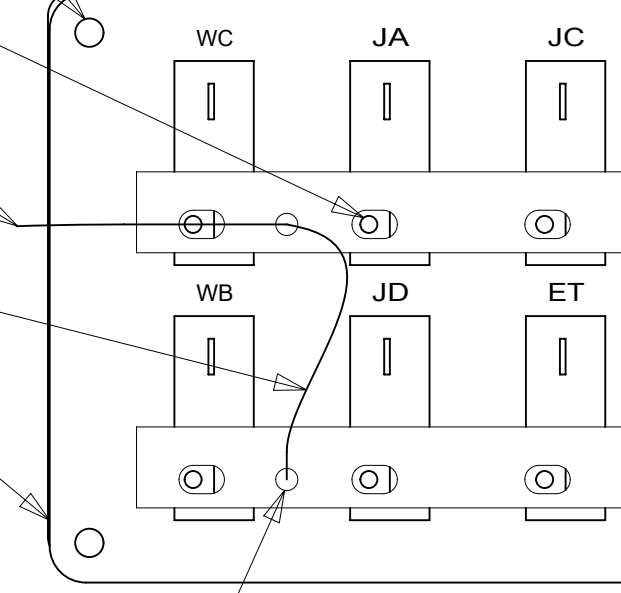
1M
8 BLK

PLATE
139067-02-CHT

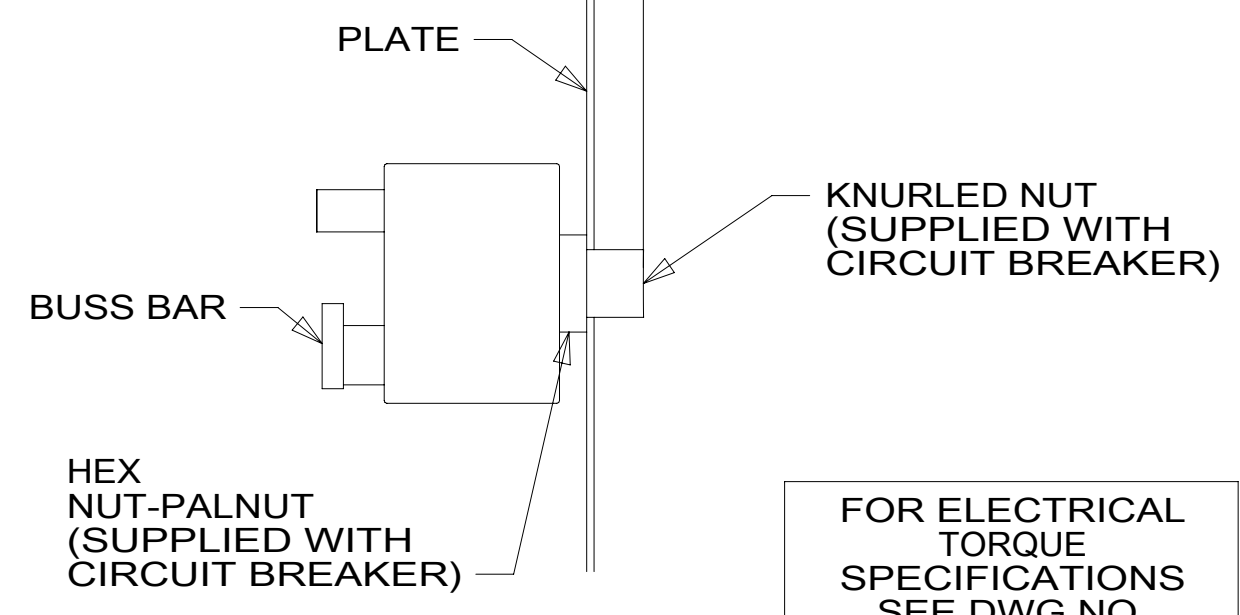
SCREW
G39-08-06U (2)

BUSS BAR
092786-05-000

BUSS BAR
092786-04-000



DETAIL DR 078
(BACK VIEW)



DETAIL DS 078

FOR ELECTRICAL
TORQUE
SPECIFICATIONS
SEE DWG NO.
128783-01-000

FOR ELECTRICAL
CALLOUTS
SEE DWG NO.
121339-01-000

- 078 ALL WEATHER UPGRADE PACKAGE
- 45B LOFT BED
- 265 CODES/STANDARDS-CSA/CMVSS
- 1B1 CODES/STANDARDS USA

DESCRIPTION: WIRING INSTL-BODY, 12V		
SHEET: 4 OF 7	ITEM/PART NO: 000161552 / 32835801000	REV

NOTES:
2 PLACE AROUND ENTIRE PERIMETER WITH SEAM AT BOTTOM.
1 FOR SWITCH ORIENTATION SEE DETAIL DE

8

7

6

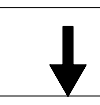
5

4

3

2

1



D

D

C

C

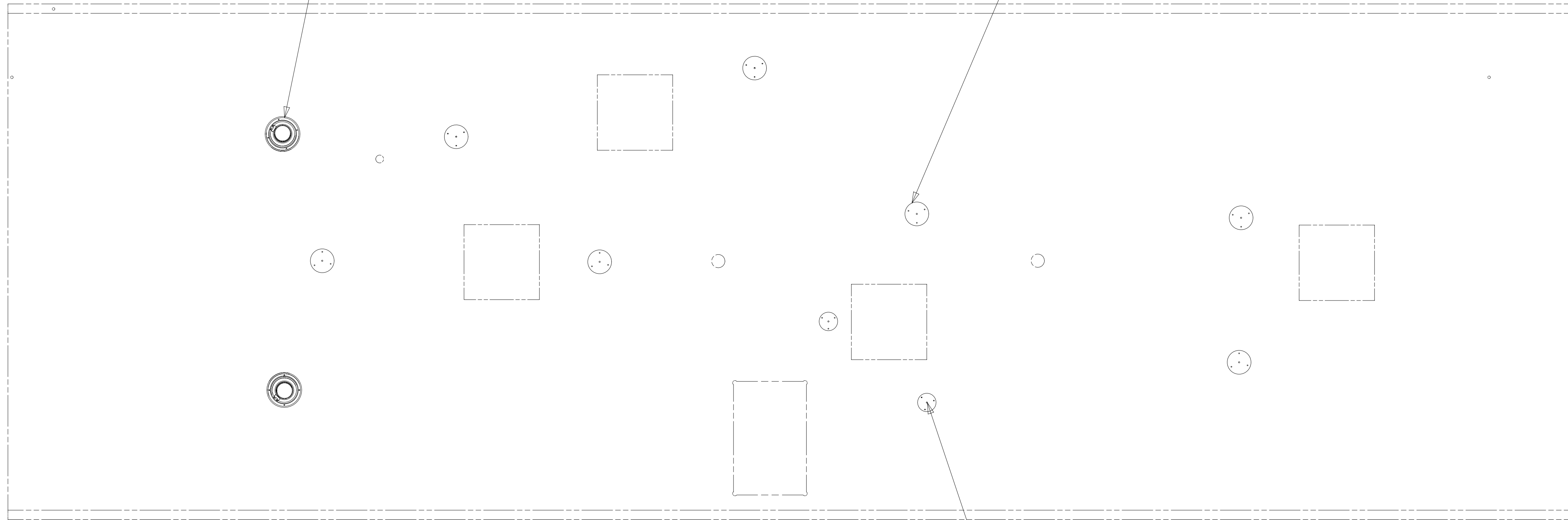


B

B

A

A



SPEAKER
 180783-01-CHT (2)
 SCREW
 000G11-08-12U (8)

LIGHT-LED,ROUND 4.5 PLASTIC
 000166889 / 329926-01-CHT (7)
 SCREW
 G13-06-16U (21)
 CONNECTOR
 58028-01-000 (14)

LIGHT-LED,ROUND 3.5 PLASTIC
 000166893 / 329928-01-CHT (2)
 SCREW
 G13-06-10U (6)
 CONNECTOR
 58028-01-000 (4)

265 CODES/STANDARDS-CSA/CMVSS

1B1 CODES/STANDARDS USA

1B1 265

FOR ELECTRICAL
 TORQUE
 SPECIFICATIONS
 SEE DWG NO.
 128783-01-000

FOR
 ELECTRICAL
 CALLOUTS
 SEE DWG NO.
 121339-01-000

DESCRIPTION:
WIRING INSTL-BODY, 12V

SHEET: 5 OF 7 ITEM/PART NO: 000161552 / 32835801000 REV

8

7

6

5

4

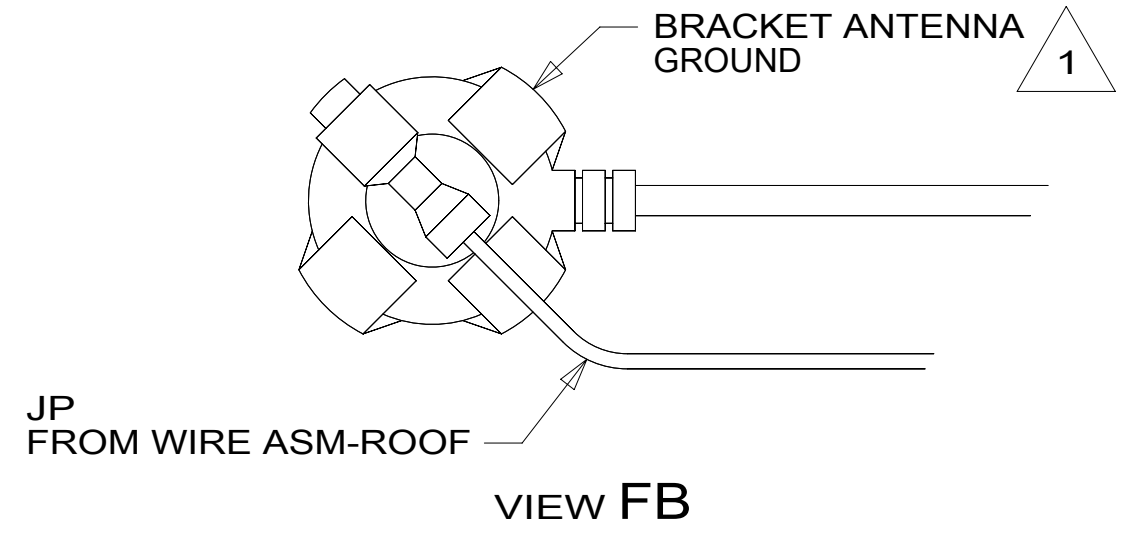
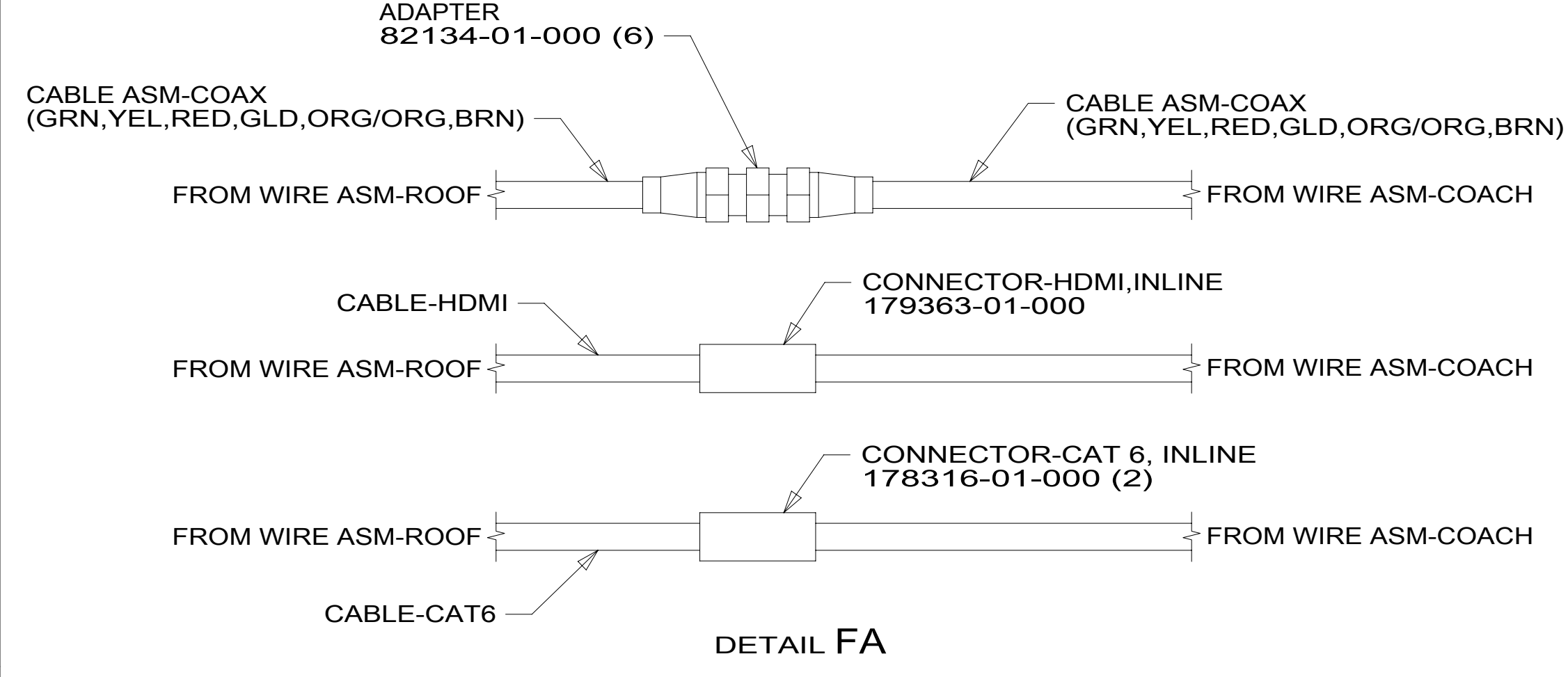
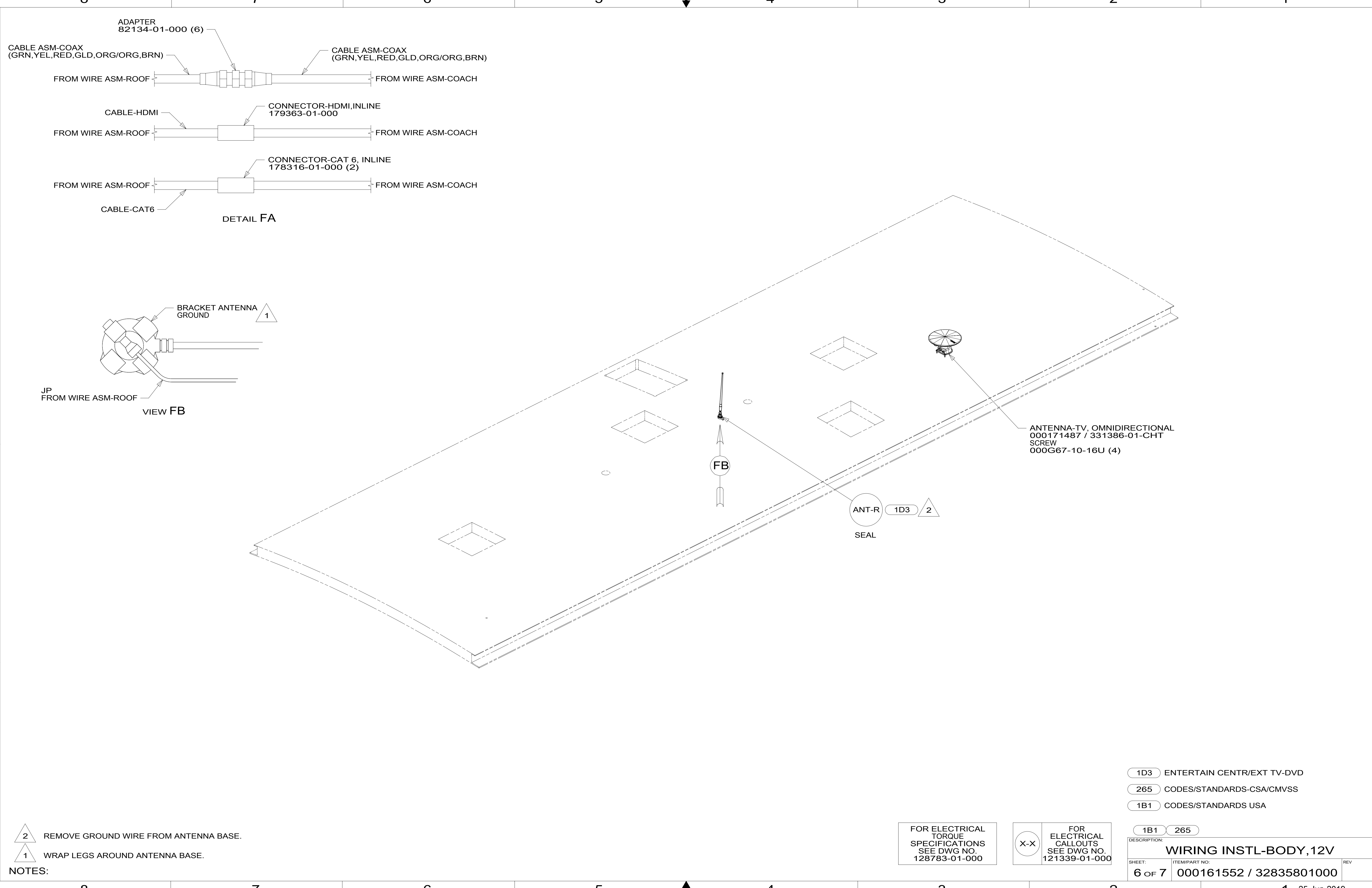
3

2

1



1 25-Jun-2019



ANTENNA-TV, OMNIDIRECTIONAL
000171487 / 331386-01-CHT
SCREW
000G67-10-16U (4)

ANT-R 1D3 2

SEAL

- NOTES:
- 2 REMOVE GROUND WIRE FROM ANTENNA BASE.
 - 1 WRAP LEGS AROUND ANTENNA BASE.

FOR ELECTRICAL TORQUE SPECIFICATIONS SEE DWG NO. 128783-01-000

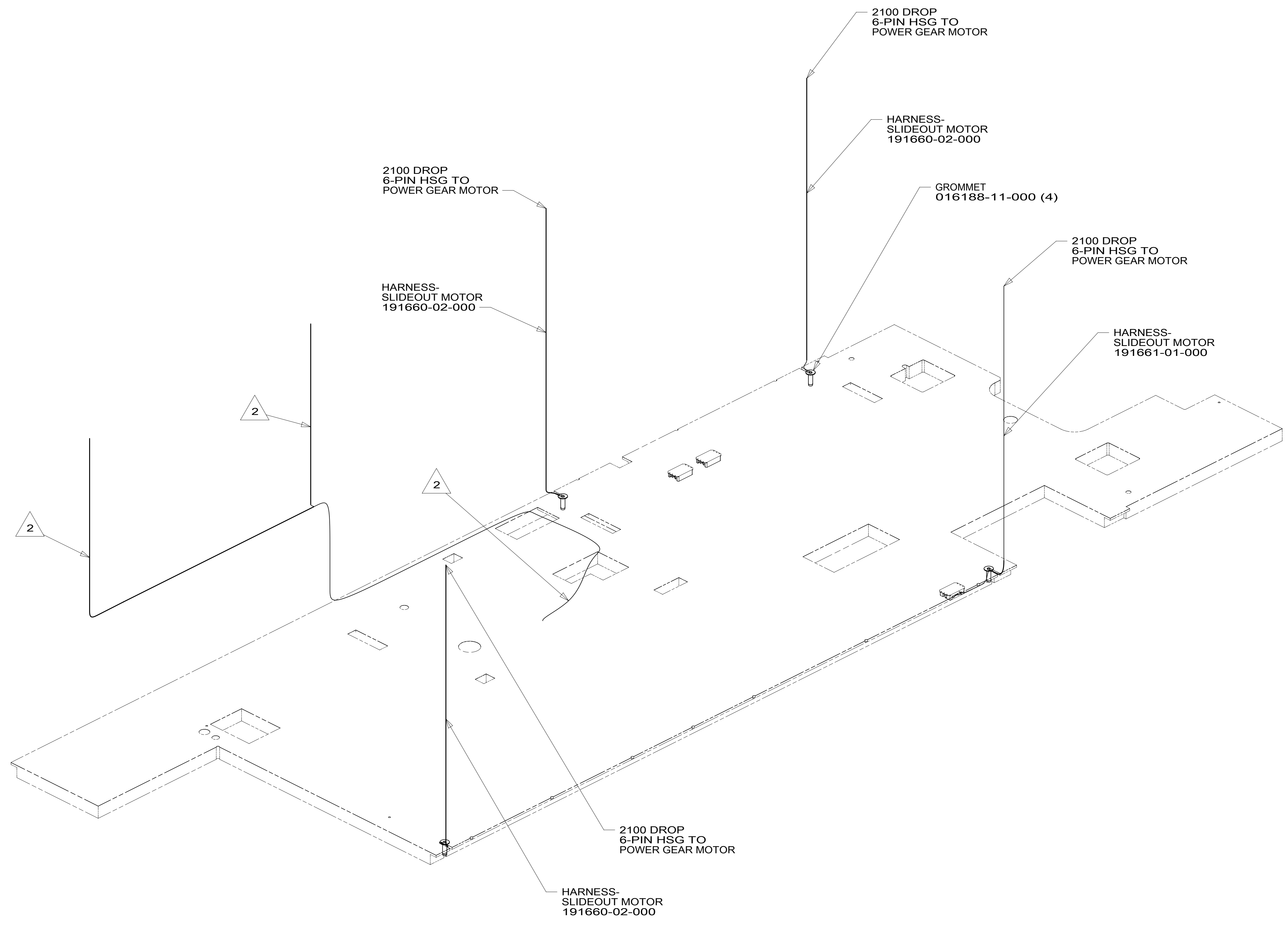
FOR ELECTRICAL CALLOUTS SEE DWG NO. 121339-01-000

- 1D3 ENTERTAIN CENTR/EXT TV-DVD
- 265 CODES/STANDARDS-CSA/CMVSS
- 1B1 CODES/STANDARDS USA

DESCRIPTION:		WIRING INSTL-BODY, 12V	
SHEET:	ITEM/PART NO.:	REV:	
6 OF 7	000161552 / 32835801000		

8 7 6 5 4 3 2 1

D
C
B
A



2 WIRING PART OF WIRE ASM-CHASSIS.

1. AT MINIMUM ALL WIRES TO BE SUPPORTED AND SECURED PER CODE REQUIREMENTS. USE CLAMP 10495 OR 10497 OR WIRE TIE 8343 OR 108046 AND SCREW G67-XX-XXX OR G56-XX-XXX AS APPROPRIATE FOR INSTALLATION.

NOTES:

265 CODES/STANDARDS-CSA/CMVSS
 1B1 CODES/STANDARDS USA

FOR ELECTRICAL TORQUE SPECIFICATIONS SEE DWG NO. 128783-01-000

FOR ELECTRICAL CALLOUTS SEE DWG NO. 121339-01-000

1B1 265	
DESCRIPTION: WIRING INSTL-BODY, 12V	
SHEET: 7 OF 7	ITEM/PART NO: 000161552 / 32835801000
REV	

8 7 6 5 4 3 2 1 25-Jun-2019