

8 7 6 5 4 3 2 1

D

D

C

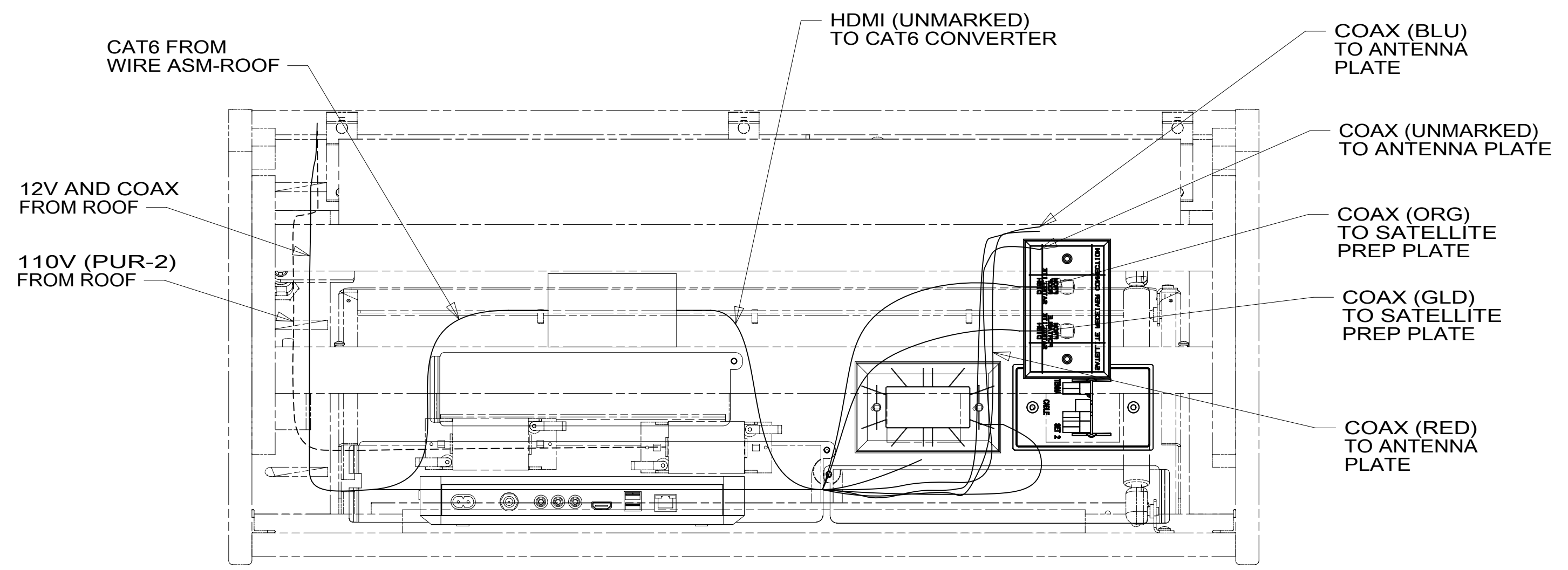
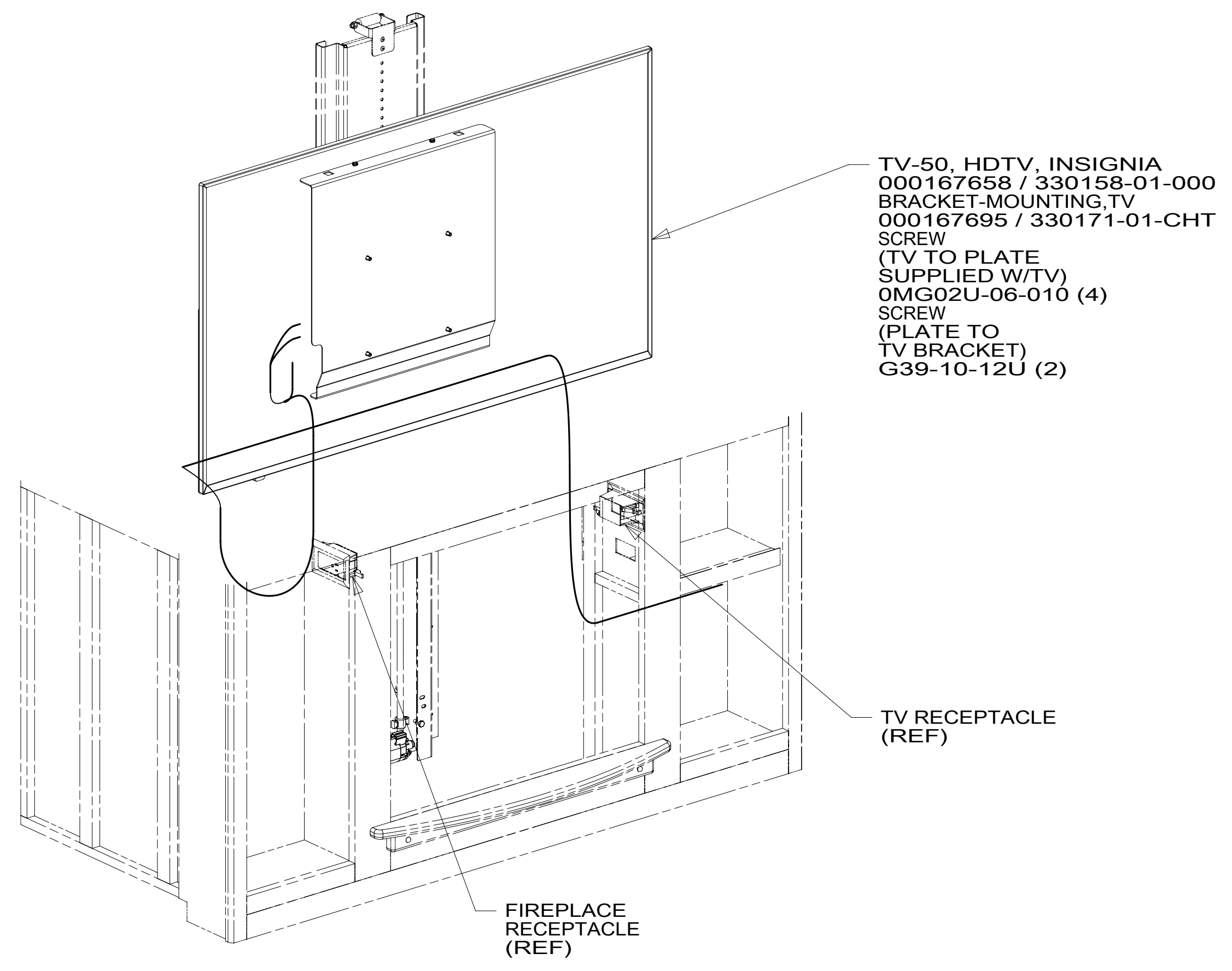
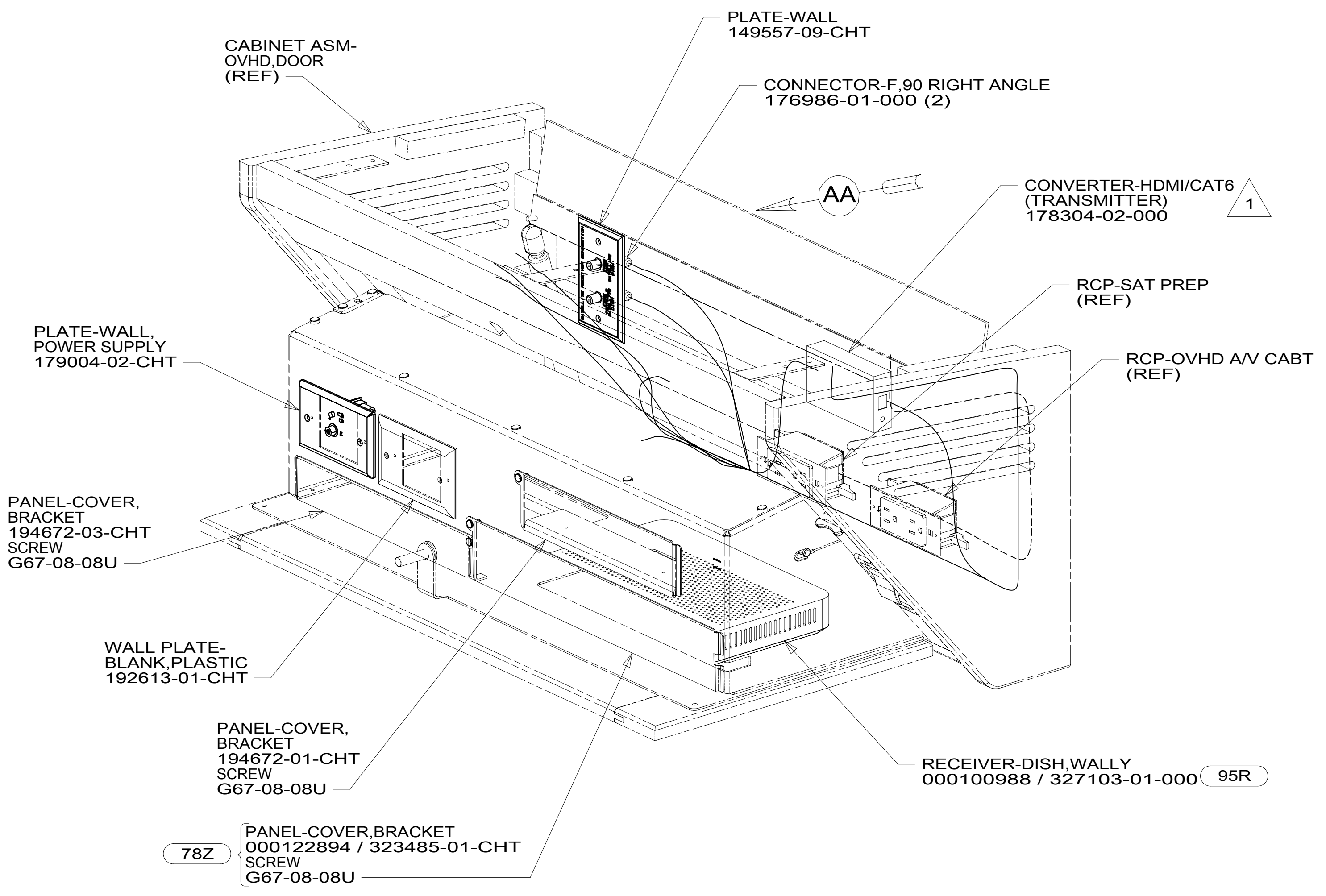
C

B

B

A

A



VIEW AA

1 ATTACH TO STICK WORK USING BRACKETS AND SCREWS THAT COME WITH CONVERTER.

NOTES:

FOR ELECTRICAL TORQUE SPECIFICATIONS SEE DWG NO. 128783-01-000

X-X FOR ELECTRICAL CALLOUTS SEE DWG NO. 121339-01-000

- 78Z SATELLITE SYSTEM - WITHOUT
- 95R SATALLITE TV ANTENNA - AUTOM
- 265 CODES/STANDARDS-CSA/CMVSS
- 1B1 CODES/STANDARDS USA

**WINNEBAGO**  
COPYRIGHT 2016 WINNEBAGO INDUSTRIES, INC.

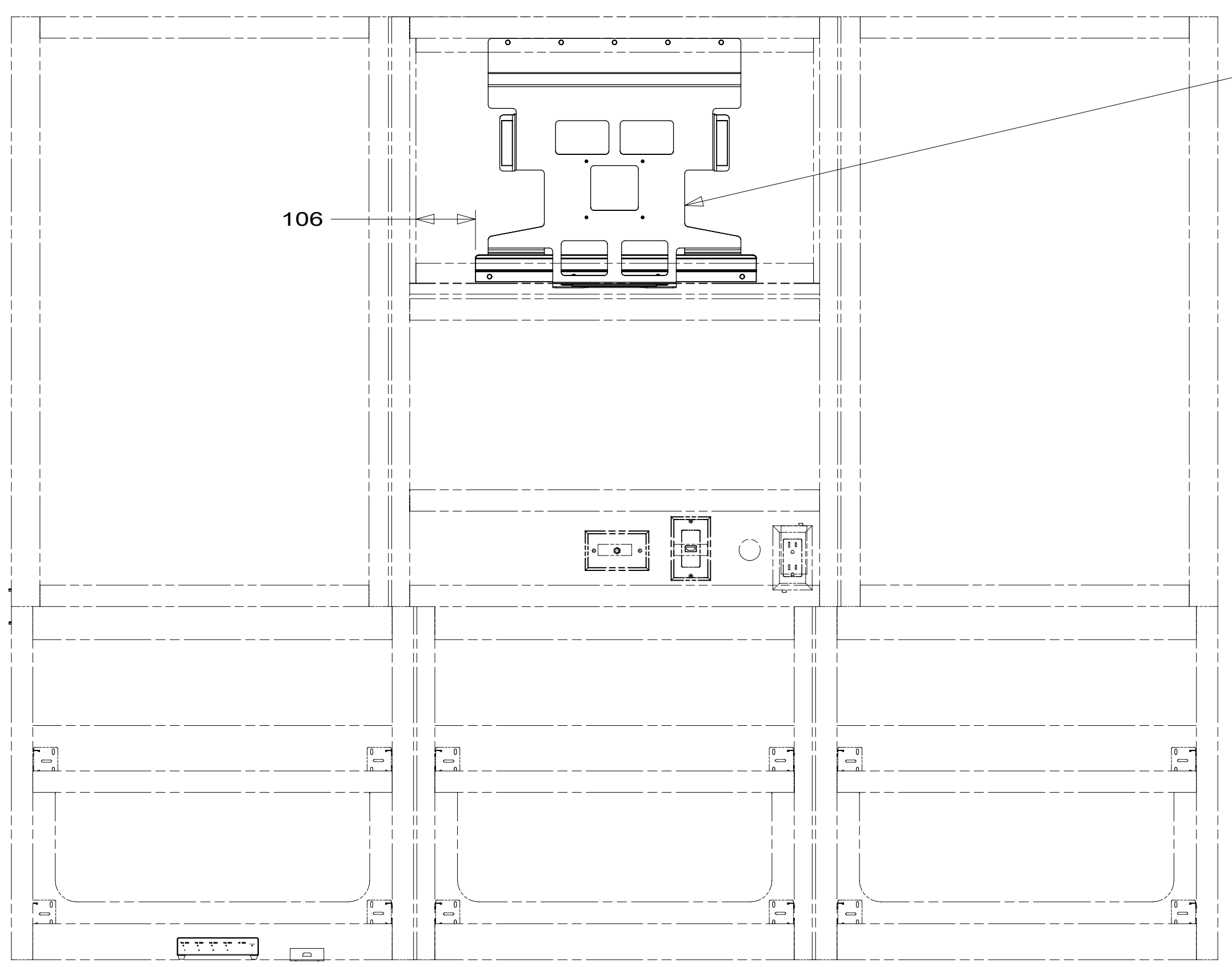
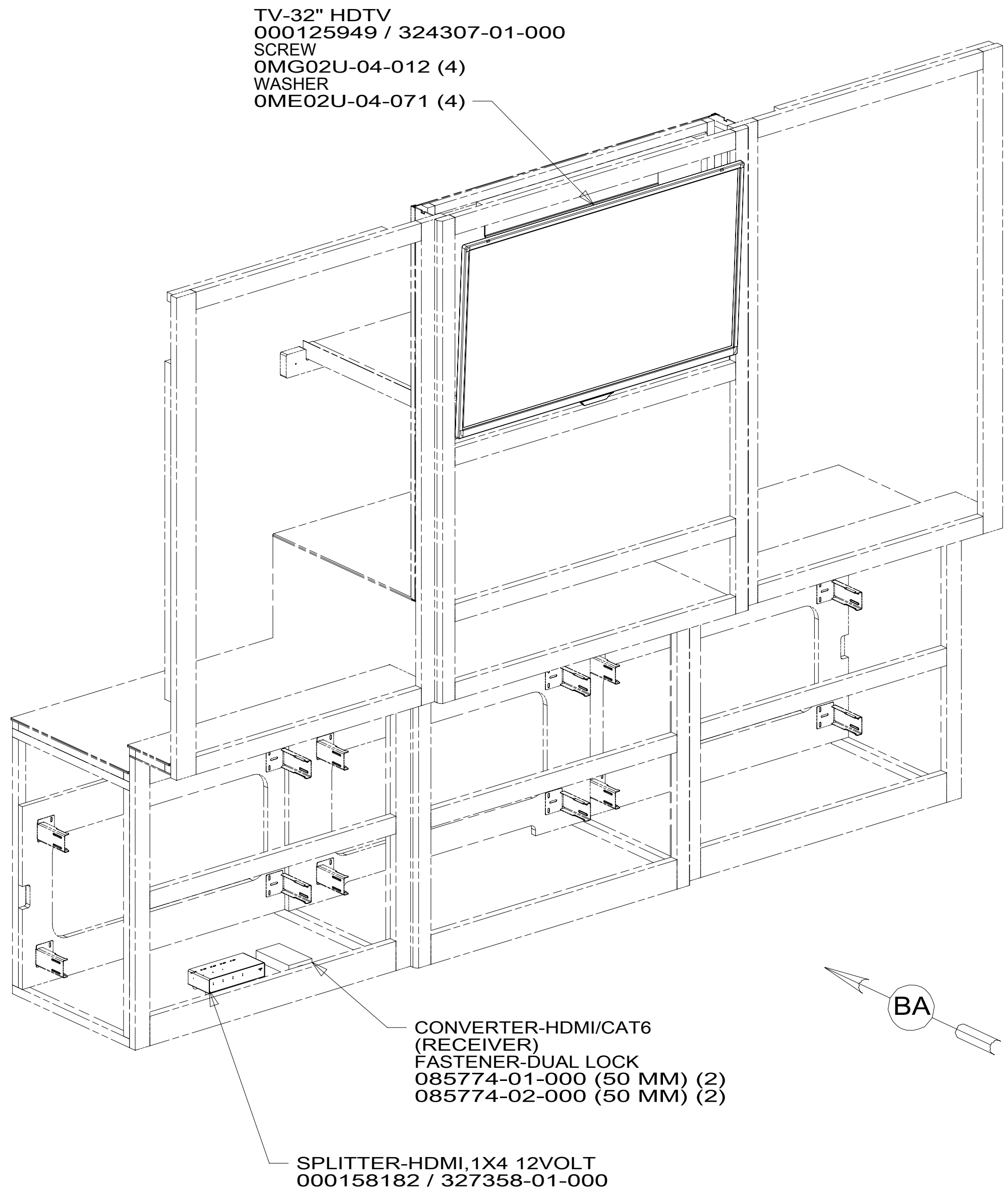
DSNR:	ALL DIMENSIONS ARE IN MILLIMETERS	
DIFTR:		
UNSPECIFIED TOLERANCES:	MATERIAL:	
WHOLE DIM (X) : 3		
ONE-PLACE (X.X) : 1.5		
TWO-PLACE (X.XX) : 0.50		
ANGLE : 1°		
REFER TO ES0018 FOR FASTENER TIGHTENING GUIDELINES	WEIGHT: (LBS)	FIRST USED: 19 F36Z
DESCRIPTION: WIRING INSTL-TV/DVD		
SHEET: 1 OF 4	ITEM/PART NO: 000160438 / 32803501000	REV:

8 7 6 5 4 3 2 1

8 7 6 5 4 3 2 1

D  
C  
B  
A

D  
C  
B  
A



VIEW BA  
(TV NOT SHOWN)

- BRACKET-TV, 32 INSIG  
000128763 / 325071-01-CHT
- SCREW
- 000G11-10-16U (5)
- TAPE-FOAM  
076322-22-000 (80 MM)(2)
- TAPE-FOAM  
076322-23-000 (150 MM) 1
- CLIP-TRIM  
130034-04-CHT
- SCREW  
000G11-10-16U (4)

NOTES:  
1 PREP BOTH SURFACES WITH ADHESIVE-PROMOTER, 087211-01-000.

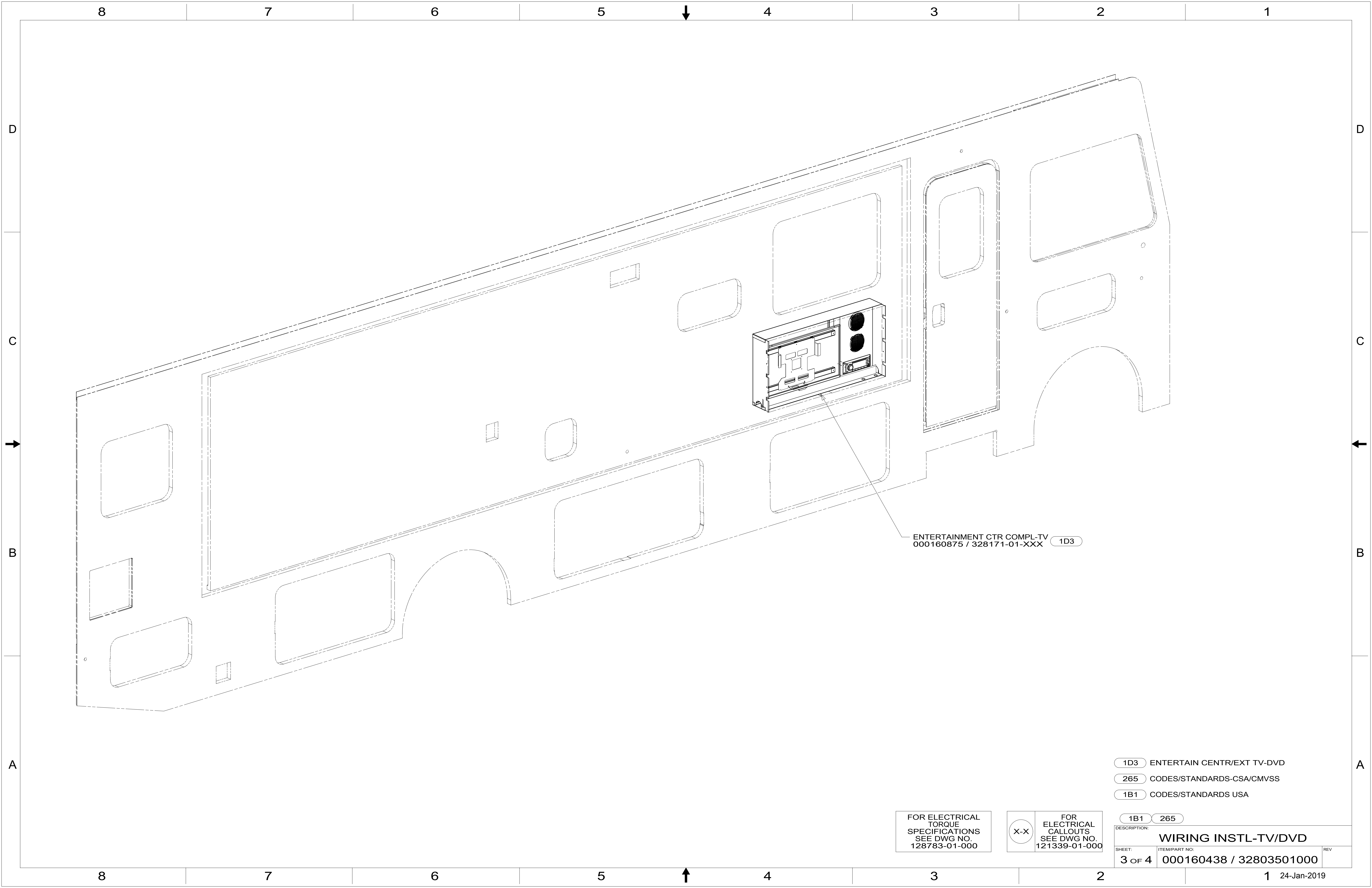
FOR ELECTRICAL  
TORQUE  
SPECIFICATIONS  
SEE DWG NO.  
128783-01-000

X-X  
FOR  
ELECTRICAL  
CALLOUTS  
SEE DWG NO.  
121339-01-000

- 265 CODES/STANDARDS-CSA/CMVSS
- 1B1 CODES/STANDARDS USA

DESCRIPTION: <b>WIRING INSTL-TV/DVD</b>	
SHEET: 2 OF 4	ITEM/PART NO: 000160438 / 32803501000
REV 1 24-Jan-2019	

8 7 6 5 4 3 2 1



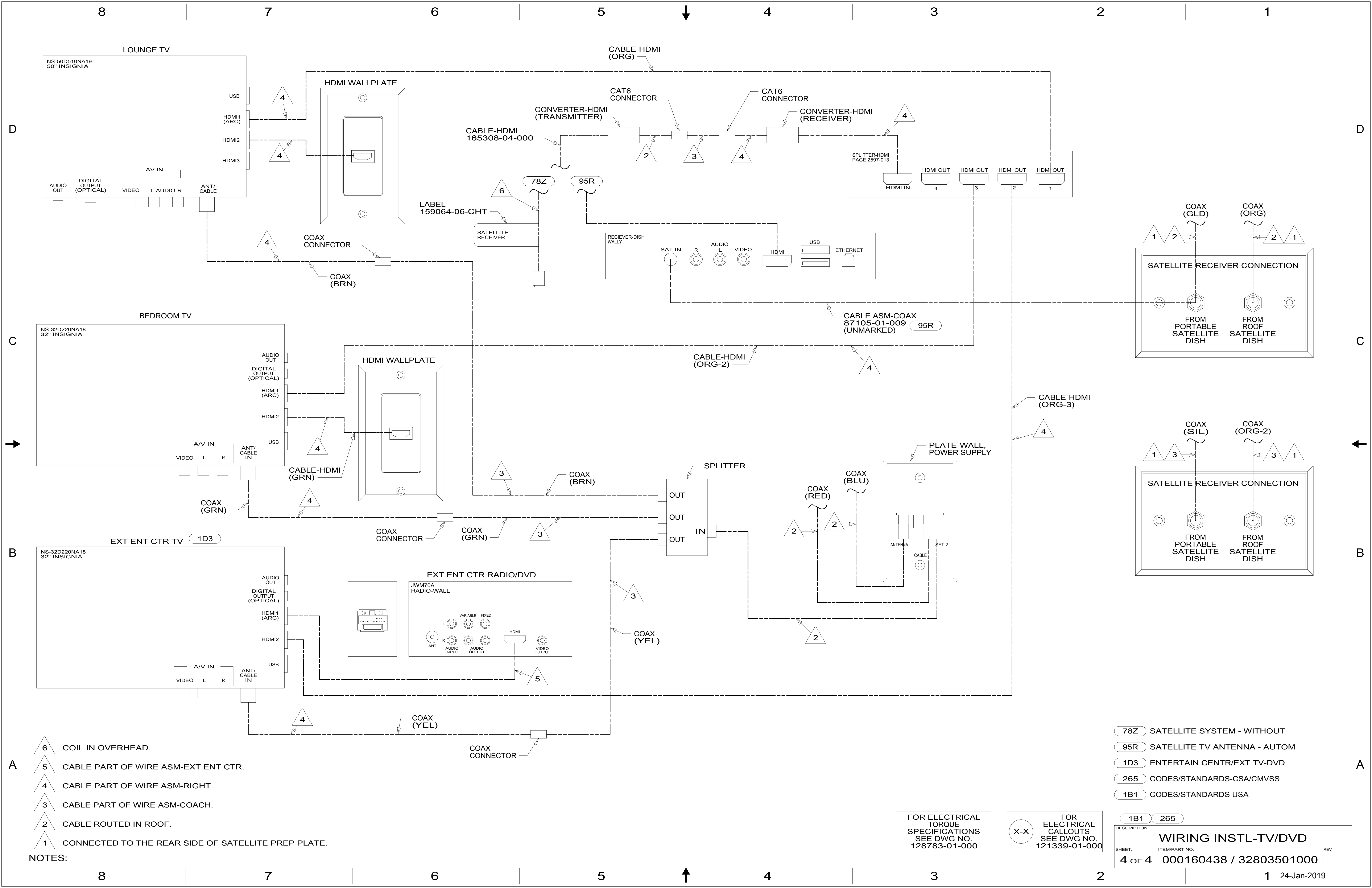
ENTERTAINMENT CTR COMPL-TV  
000160875 / 328171-01-XXX 1D3

- 1D3 ENTERTAIN CENTR/EXT TV-DVD
- 265 CODES/STANDARDS-CSA/CMVSS
- 1B1 CODES/STANDARDS USA

FOR ELECTRICAL  
TORQUE  
SPECIFICATIONS  
SEE DWG NO.  
128783-01-000

FOR  
ELECTRICAL  
CALLOUTS  
SEE DWG NO.  
121339-01-000

DESCRIPTION:		1B1	265
WIRING INSTL-TV/DVD			
SHEET:	ITEM/PART NO.:	REV	
3 OF 4	000160438 / 32803501000		



- NOTES:
- 6 COIL IN OVERHEAD.
  - 5 CABLE PART OF WIRE ASM-EXT ENT CTR.
  - 4 CABLE PART OF WIRE ASM-RIGHT.
  - 3 CABLE PART OF WIRE ASM-COACH.
  - 2 CABLE ROUTED IN ROOF.
  - 1 CONNECTED TO THE REAR SIDE OF SATELLITE PREP PLATE.

- 78Z SATELLITE SYSTEM - WITHOUT
- 95R SATELLITE TV ANTENNA - AUTOM
- 1D3 ENTERTAIN CENTR/EXT TV-DVD
- 265 CODES/STANDARDS-CSA/CMVSS
- 1B1 CODES/STANDARDS USA

FOR ELECTRICAL TORQUE SPECIFICATIONS SEE DWG NO. 128783-01-000

FOR ELECTRICAL CALLOUTS SEE DWG NO. 121339-01-000

DESCRIPTION:	1B1 265	
<b>WIRING INSTL-TV/DVD</b>		
SHEET:	ITEM/PART NO:	REV
4 OF 4	000160438 / 32803501000	