

8 7 6 5 4 3 2 1

D

D

C

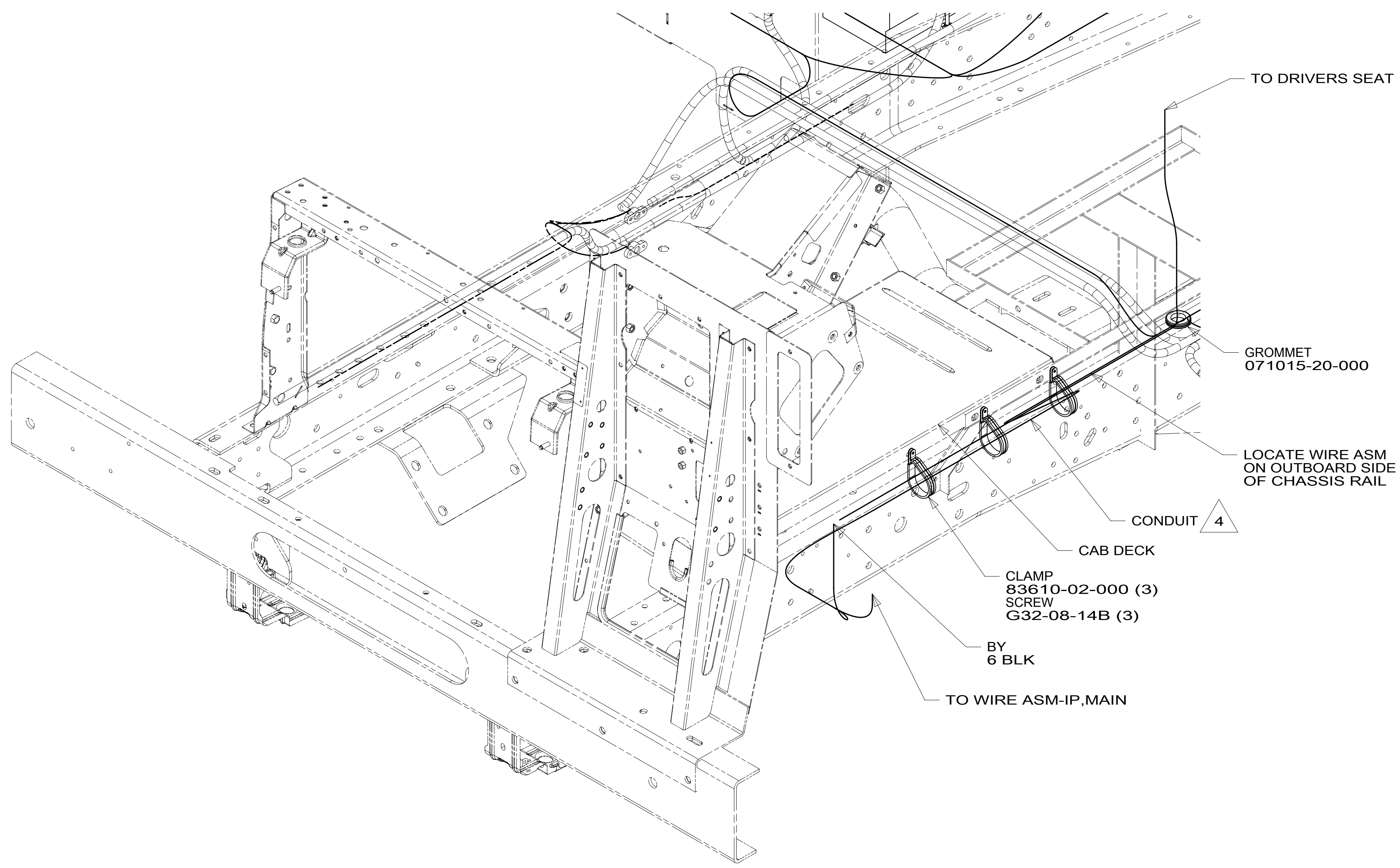
C

B

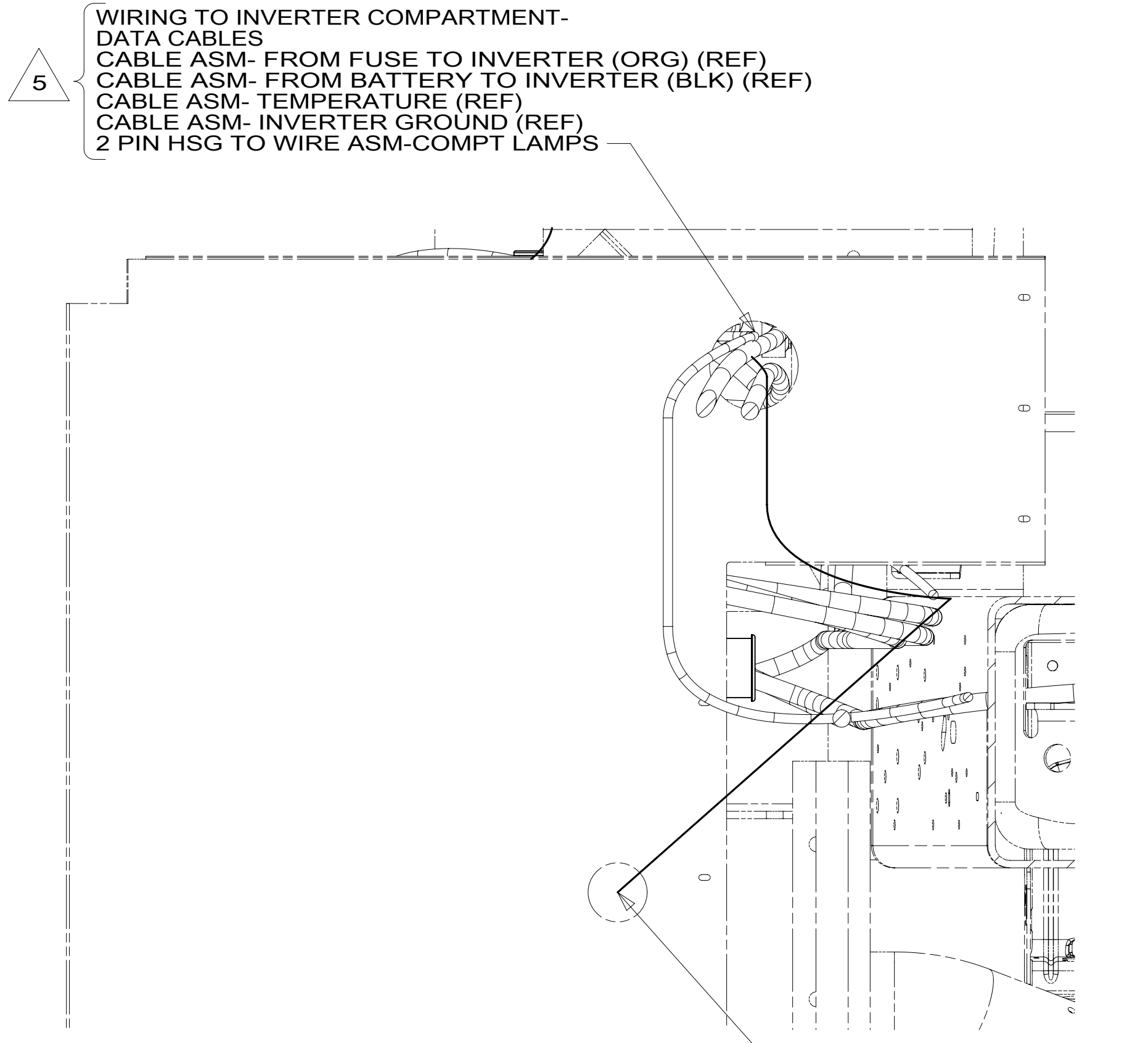
B

A

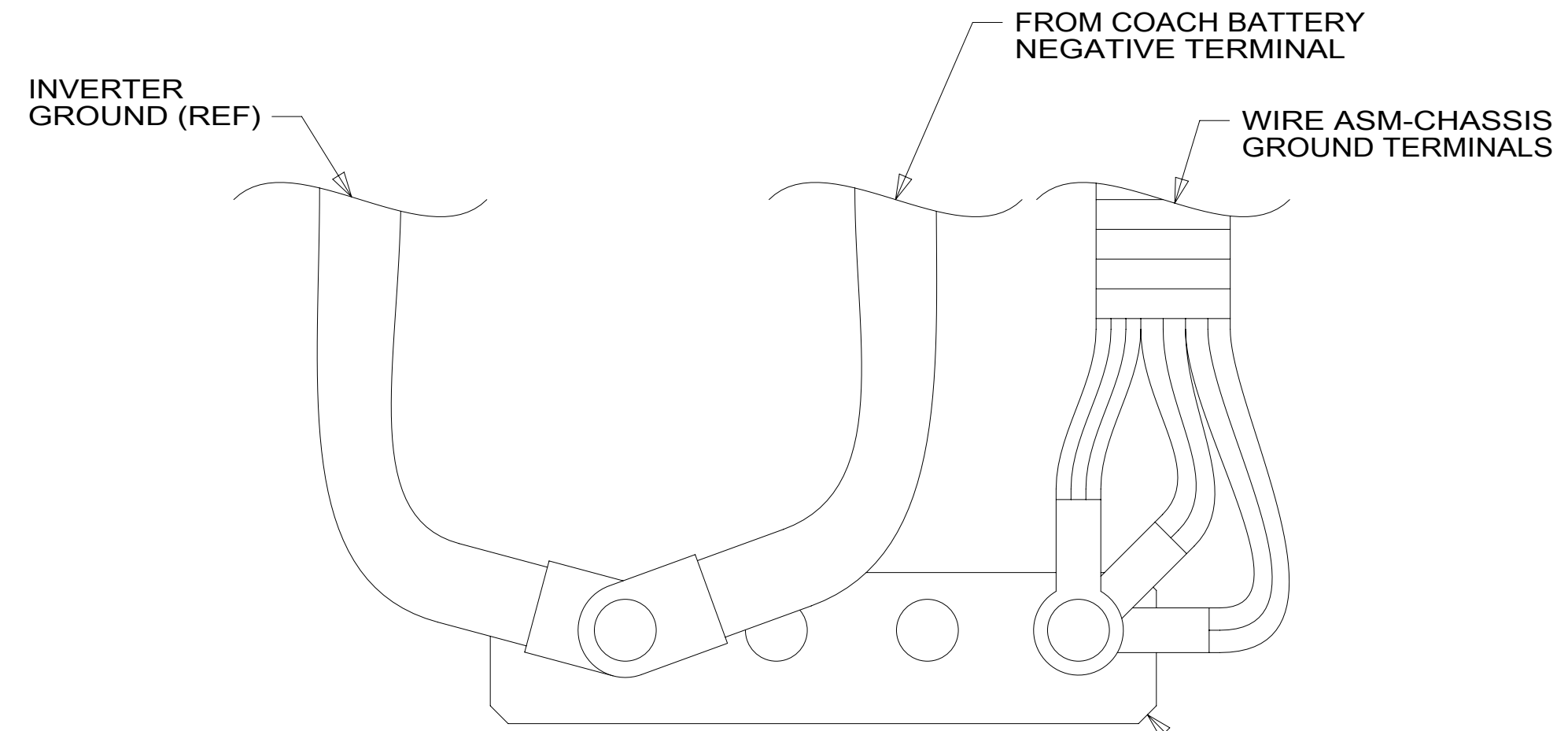
A



VIEW BA



VIEW BC



DETAIL BB

- 5 RUN ALL CABLES THROUGH BEFORE SEALING.
- 4 COVER WITH CONDUIT 41953-10-000 AND 41953-11-000 AS REQUIRED.
3. CONNECT CABLES TO COACH SIDE OF BATTERY DISCONNECT WHEN BATTERY DISCONNECT IS USED.
2. ALL GROUND WIRE TO BE COVERED WITH TUBING 8041-02-000.
1. CUT OFF EXCESS END OF WIRE TIE.

NOTES:

FOR ELECTRICAL TORQUE SPECIFICATIONS SEE DWG NO. 128783-01-000

X-X FOR ELECTRICAL CALLOUTS SEE DWG NO. 121339-01-000

265 CODES/STANDARDS-CSA/CMVSS
1B1 CODES/STANDARDS USA

| | | |
|-----------------------------|-------------------------|---------|
| DESCRIPTION: | | 1B1 265 |
| WIRING INSTL-CHASSIS | | |
| SHEET: | ITEM/PART NO.: | REV |
| 2 OF 2 | 000160432 / 32803201000 | |

8 7 6 5 4 3 2 1 04-Feb-2019