

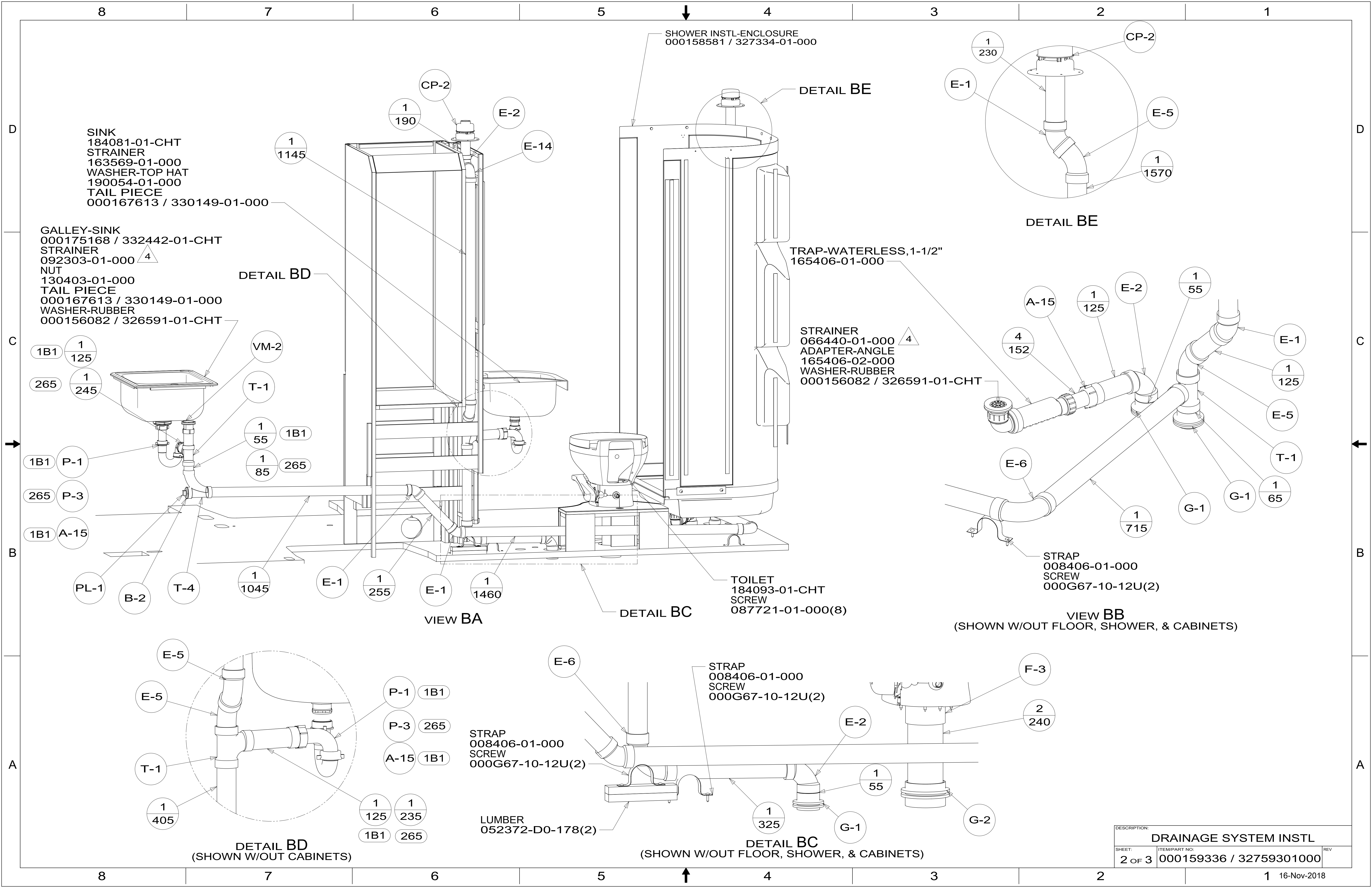
- 11. PREP THE SURFACE PER MANUFACTURERS INSTRUCTIONS BEFORE APPLYING THE HEATING PAD.
- 10. SEE WIRING INSTL-BODY FOR ELECTRICAL CONNECTION.
- 9. SEE DRAWING 061607 FOR INSTALLATION OF GROMMETS.
- 8. SECURE DRAINAGE PIPES TO CABINET USING WIRE TIE 108046-02-000, AND SCREW 000G67-10-12U AT INTERVALS OF NOT OF NOT MORE THAN 4 FEET APART.
- 7. SECURE VENT PIPE TO FLOOR WITH CLAMP 062401-02-000 (2), SCREW 000G67-10-12U (2), BRACKET 136878-01-CHT (2).
- 6. VENT PIPE MUST PROJECT 51 MIN AND 64 MAX ABOVE ROOF FOR PROPER FIT AND FUNCTION. ADD S-1 (000156099 / 326607-01-CHT SEAL-VENT PIPE) AROUND PIPE ON ROOF BEFORE VENT CAP IS INSTALLED.
- 5. SEAL AROUND SHOWER WITH SILICONE.
- 4. USE SMOOTH PLUMBERS PUTTY 167459-01-000 TO SEAL STRAINER (0.2 PER STRAINER).
- 3. ALL PIPE AND FITTINGS TO BE ASSEMBLED WITH SOLVENT 004020-01-000 (USA), 004020-02-000 (CAN)
- 2. SLOPE OF TRAP ARM MUST BE 6 PER 305 mm.
- 1. SLOPE OF HORIZONTAL PIPING TO BE MINIMUM OF 3 PER 305 mm.

NOTES:

- 1B1 CODES/STANDARDS USA
- 265 CODES/STANDARDS-CSA/CMVSS
- 23T DRAINAGE SYSTEM-HEATED

WINNEBAGO COPYRIGHT 2018 WINNEBAGO INDUSTRIES, INC.	
DSNR:	ALL DIMENSIONS ARE IN MILLIMETERS
DIFTR:	
UNSPECIFIED TOLERANCES:	MATERIAL:
WHOLE DIM (X) :	3
ONE-PLACE (X.X) :	1.5
TWO-PLACE (X.XX) :	0.50
ANGLE :	1°
REFER TO ES0018 FOR FASTENER TIGHTENING GUIDELINES	WEIGHT: (LBS) FIRST USED: (REF)
	19 423T
DRAINAGE SYSTEM INSTL	
SHEET: 1 OF 3	ITEM/PART NO: 000159336 / 32759301000
REF:	1 16-Nov-2018

X-X
FOR DRAINAGE CALLOUTS SEE DWG NO. 000211962 / 303370-01-000



SINK
184081-01-CHT
STRAINER
163569-01-000
WASHER-TOP HAT
190054-01-000
TAIL PIECE
000167613 / 330149-01-000

GALLEY-SINK
000175168 / 332442-01-CHT
STRAINER
092303-01-000
NUT
130403-01-000
TAIL PIECE
000167613 / 330149-01-000
WASHER-RUBBER
000156082 / 326591-01-CHT

SHOWER INSTL-ENCLOSURE
000158581 / 327334-01-000

DETAIL BE

DETAIL BE

TRAP-WATERLESS, 1-1/2"
165406-01-000

STRAINER
066440-01-000
ADAPTER-ANGLE
165406-02-000
WASHER-RUBBER
000156082 / 326591-01-CHT

TOILET
184093-01-CHT
SCREW
087721-01-000(8)

STRAP
008406-01-000
SCREW
000G67-10-12U(2)

STRAP
008406-01-000
SCREW
000G67-10-12U(2)

LUMBER
052372-D0-178(2)

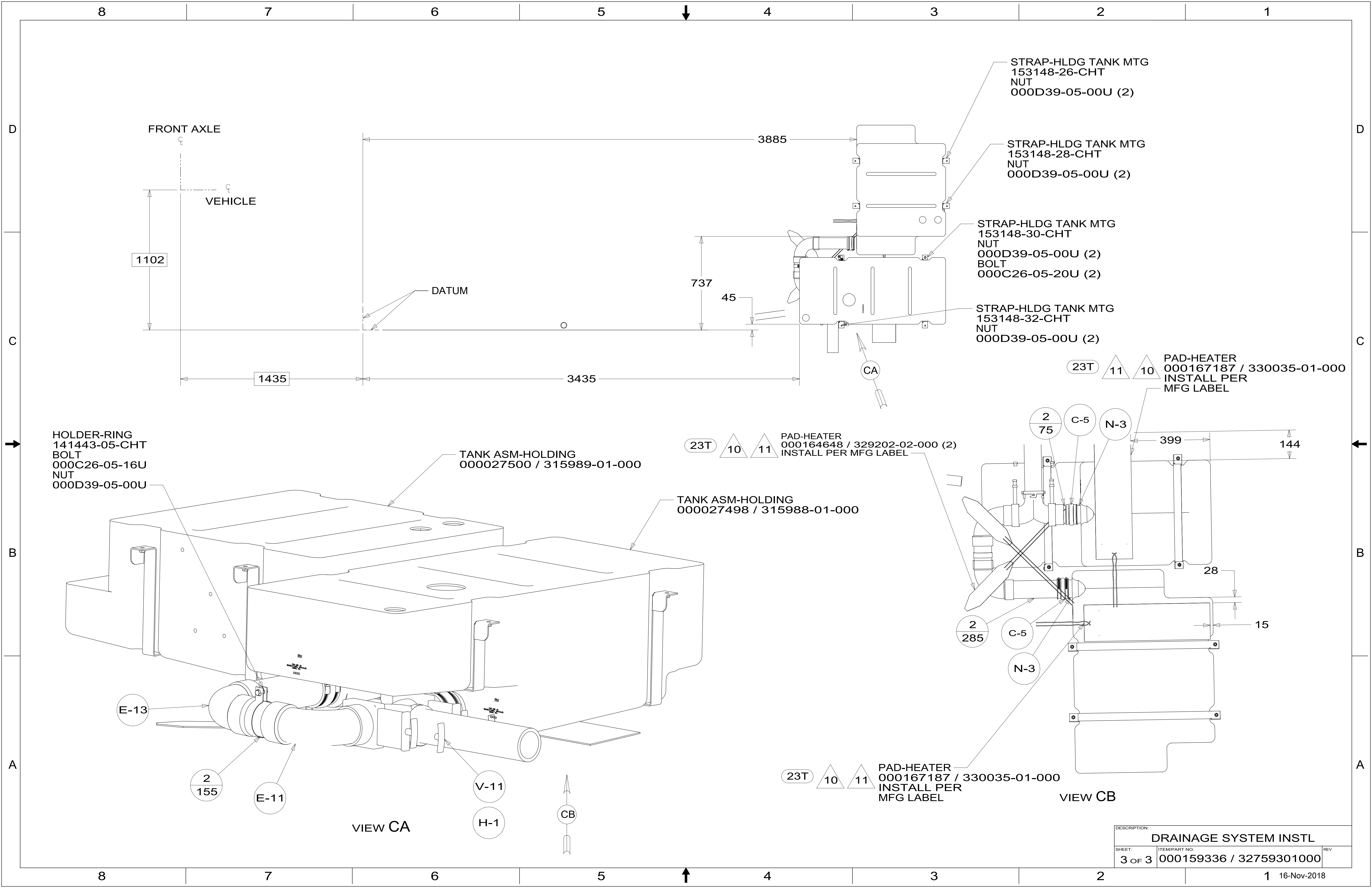
STRAP
008406-01-000
SCREW
000G67-10-12U(2)

DETAIL BC
(SHOWN W/OUT FLOOR, SHOWER, & CABINETS)

VIEW BB
(SHOWN W/OUT FLOOR, SHOWER, & CABINETS)

DETAIL BD
(SHOWN W/OUT CABINETS)

DESCRIPTION: DRAINAGE SYSTEM INSTL		
SHEET: 2 OF 3	ITEM/PART NO: 000159336 / 32759301000	REV



DESCRIPTION:		
DRAINAGE SYSTEM INSTL		
SHEET:	ITEM/PART NO:	REV
3 OF 3	000159336 / 32759301000	