

8 7 6 5 4 3 2 1

D

D

C

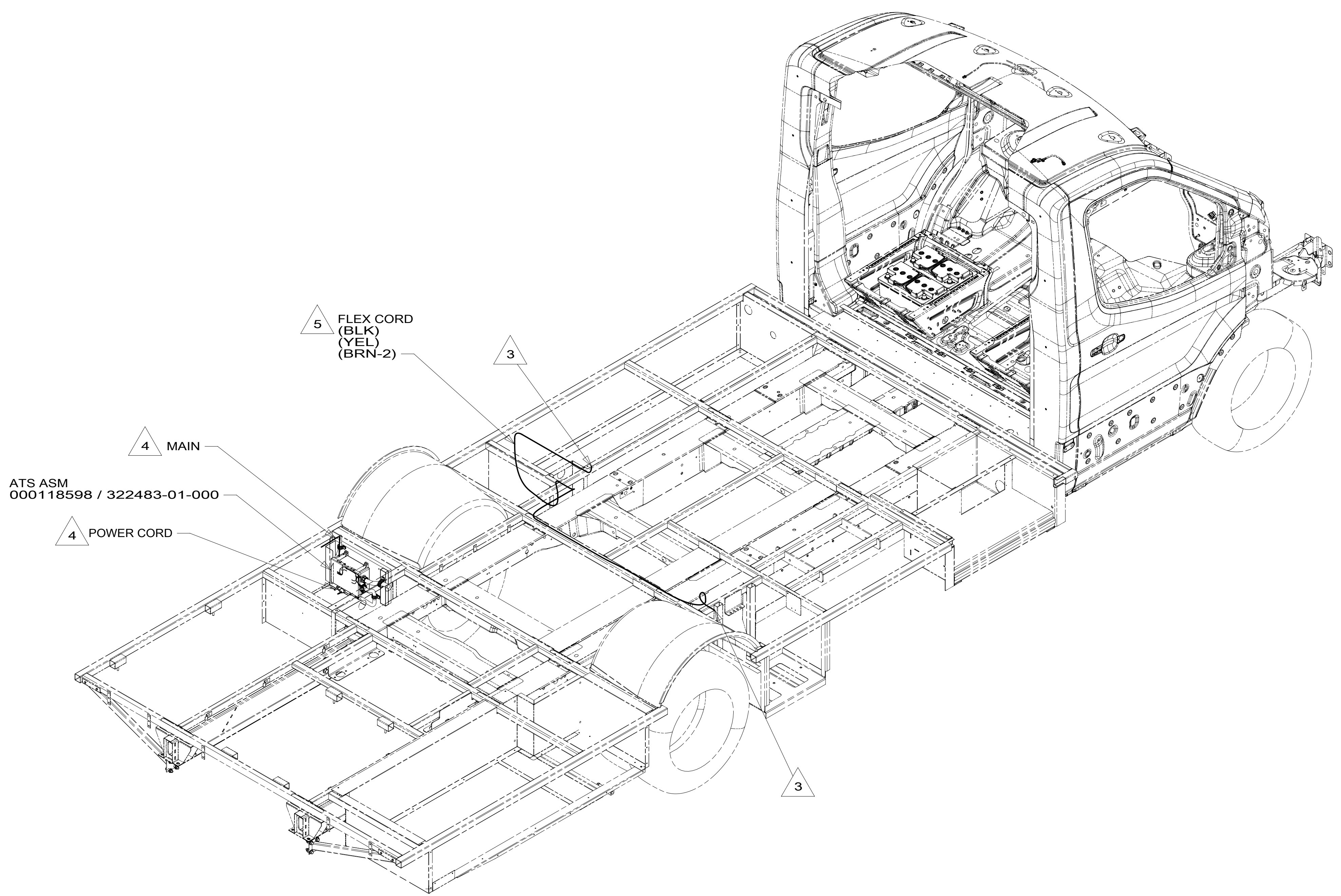
C

B

B

A

A



ATS ASM
000118598 / 322483-01-000

5 FLEX CORD
(BLK)
(YEL)
(BRN-2)

4 MAIN

4 POWER CORD

3

3

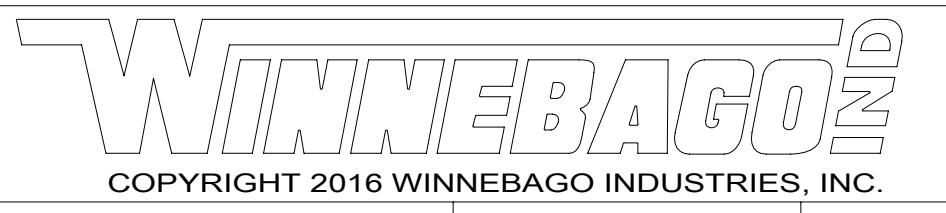
- 5 PART OF WIRE ASM-CHASSIS.
- 4 SEE ATS ASM FOR ADDITIONAL INFORMATION.
- 3 ROUTE WIRE THRU FLOOR.

2. ALL 110V WIRE TO BE CLAMPED WITH CLAMP 10497-05-000 WITHIN 200MM OF OUTLET BOXES, USE SCREW G67-10-12B.
1. AT MINIMUM ALL WIRES TO BE SUPPORTED AND SECURED PER CODE REQUIREMENTS. USE CLAMP 10495 OR 10497 OR WIRE TIE 8343 OR 108046 AND SCREW G67-XX-XXX OR G56-XX-XXX AS APPROPRIATE FOR INSTALLATION.

NOTES:

- 12D ELECTRICAL SYSTEM 30 AMP
- 265 CODES/STANDARDS-CSA/CMVSS
- 1B1 CODES/STANDARDS USA

1B1 265 12D



DSNR:		ALL DIMENSIONS ARE IN MILLIMETERS	
DIFFR:		MATERIAL:	
UNSPECIFIED TOLERANCES:			
WHOLE DIM (X)	: 3		
ONE-PLACE (X.X)	: 1.5		
TWO-PLACE (X.XX)	: 0.50		
ANGLE	: 1°		
REFER TO ES0018 FOR FASTENER TIGHTENING GUIDELINES	WEIGHT: (LBS)	FIRST USED:	19 423A

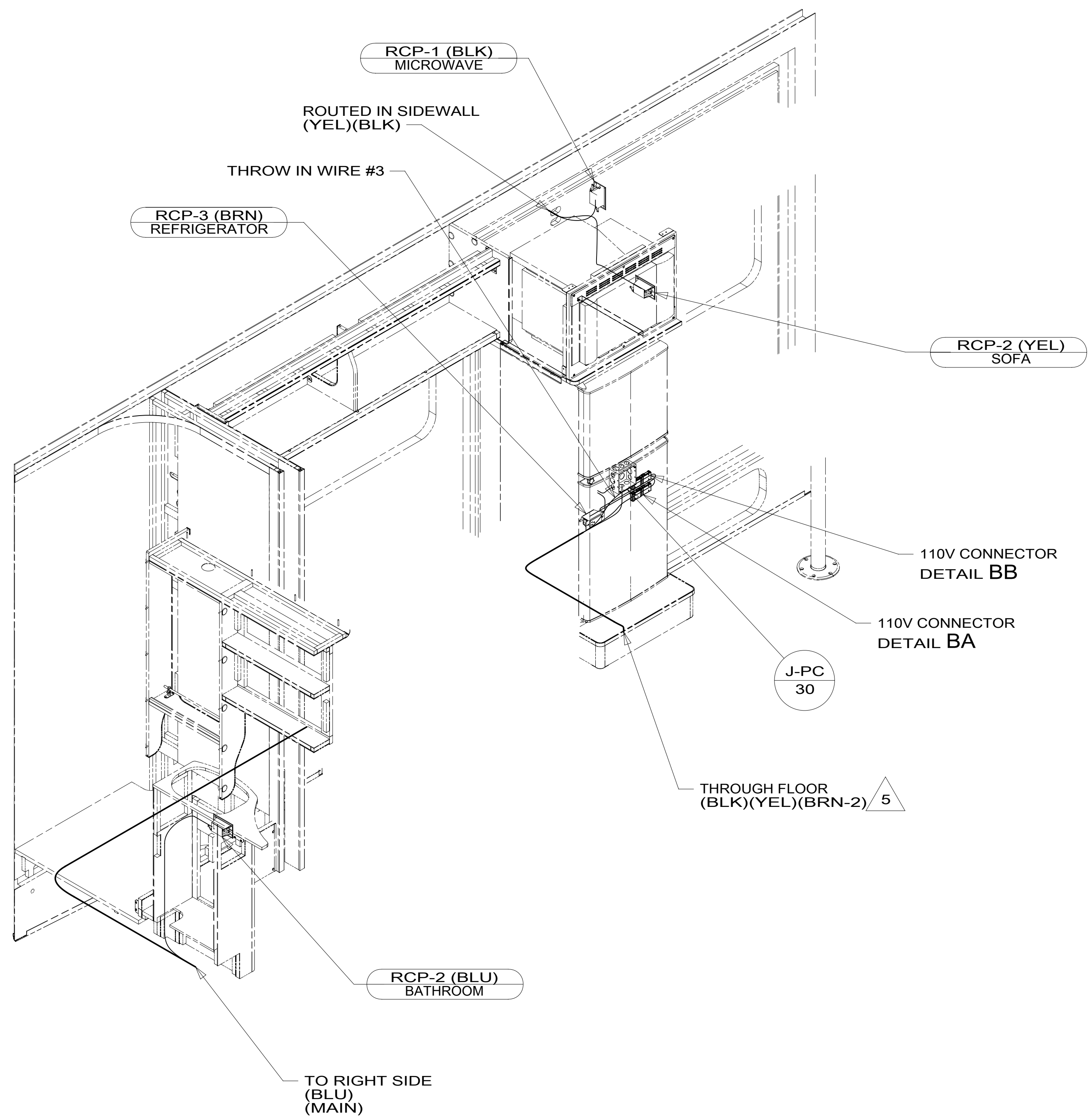
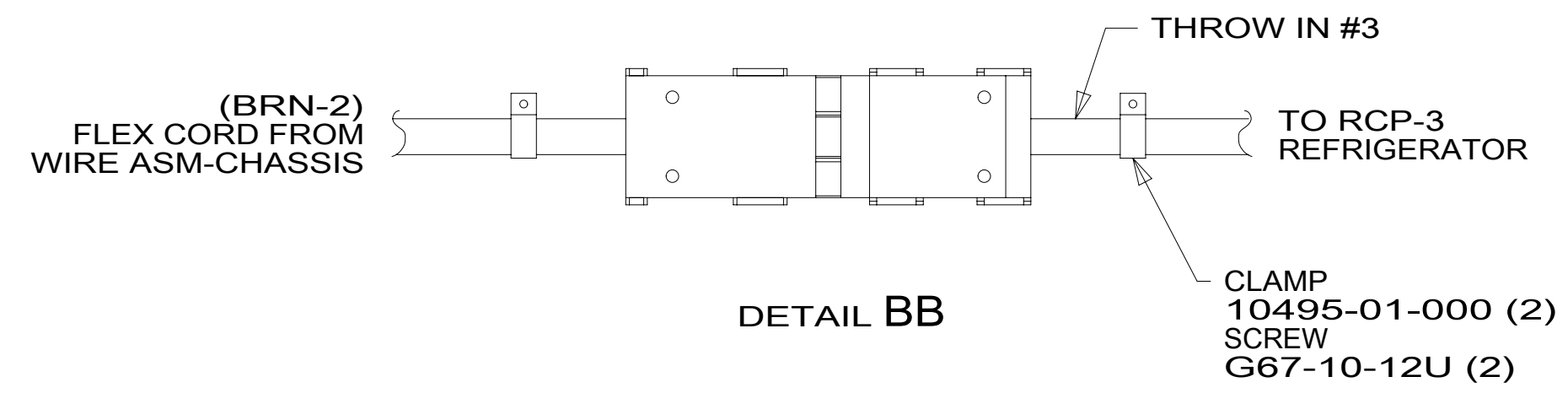
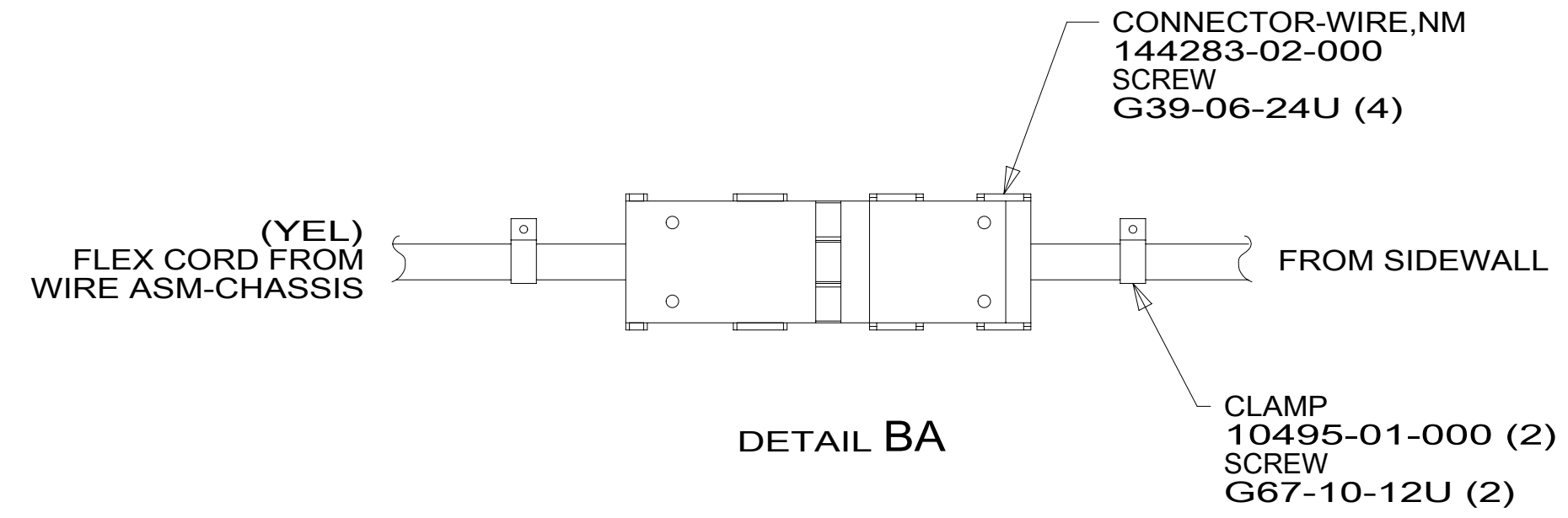
FOR ELECTRICAL TORQUE SPECIFICATIONS SEE DWG NO. 128783-01-000

FOR ELECTRICAL CALLOUTS SEE DWG NO. 121339-01-000

DESCRIPTION:		
WIRING INSTL-BODY, 110V		
SHEET: 1 OF 6	ITEM/PART NO: 000159010 / 32751001000	REV:

8 7 6 5 4 3 2 1





- 5 PART OF WIRE ASM-CHASSIS.
4. FOR MORE INFORMATION SEE WIRING DIAGRAM-BODY,110V.
3. ALL GROUND WIRE TO BE COVERED WITH TUBING 8041-02-000.
2. ALL 110V WIRE TO BE CLAMPED WITH CLAMP 10497-05-000 WITHIN 200MM OF OUTLET BOXES, USE SCREW G67-10-12B.
1. AT MINIMUM ALL WIRES TO BE SUPPORTED AND SECURED PER CODE REQUIREMENTS. USE CLAMP 10495 OR 10497 OR WIRE TIE 8343 OR 108046 AND SCREW G67-XX-XXX OR G56-XX-XXX AS APPROPRIATE FOR INSTALLATION.

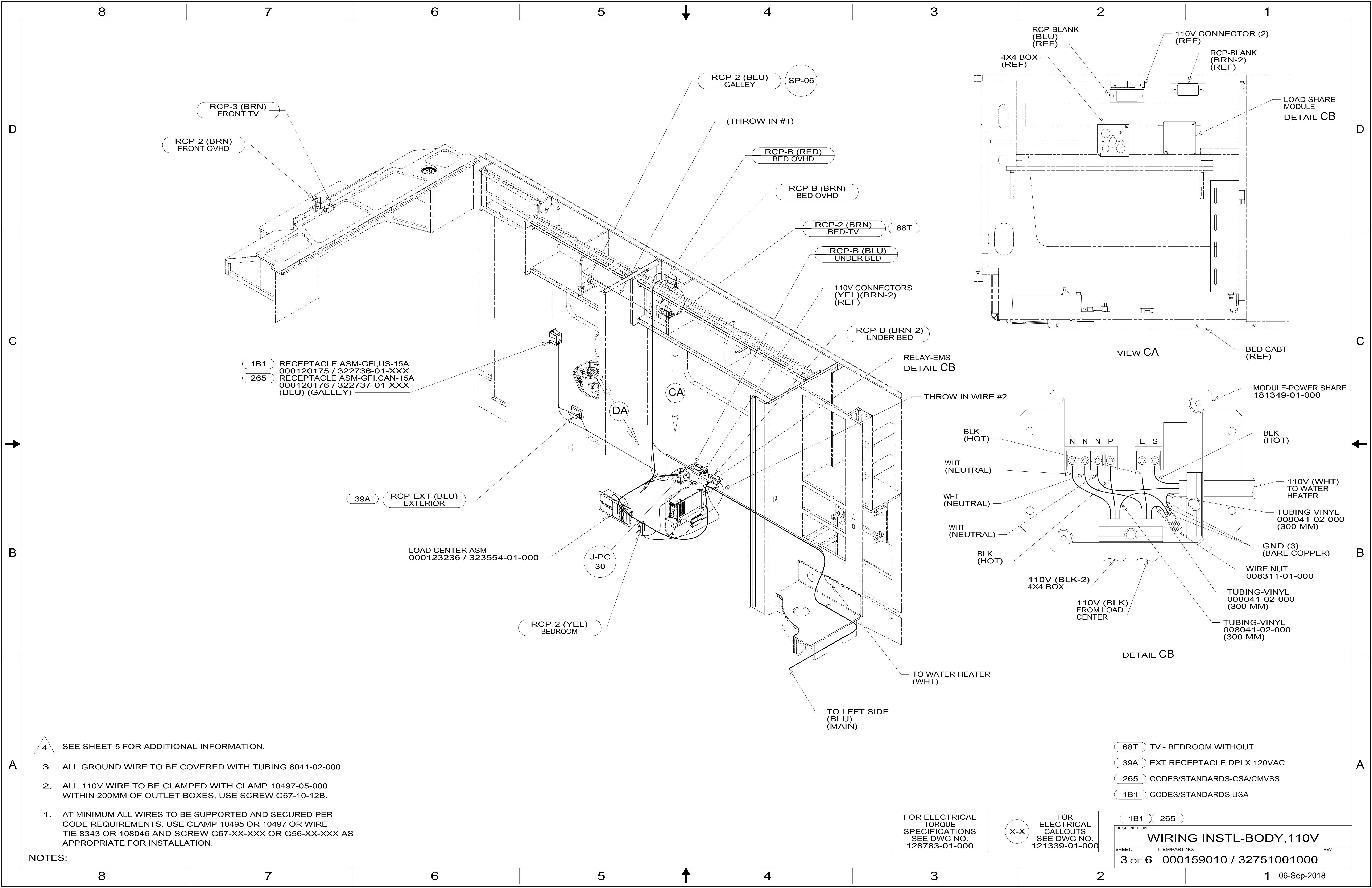
NOTES:

265 CODES/STANDARDS-CSA/CMVSS
1B1 CODES/STANDARDS USA

FOR ELECTRICAL
TORQUE
SPECIFICATIONS
SEE DWG NO.
128783-01-000

FOR
ELECTRICAL
CALLOUTS
SEE DWG NO.
121339-01-000

DESCRIPTION:	
1B1 265	
WIRING INSTL-BODY,110V	
SHEET:	ITEM/PART NO:
2 OF 6	000159010 / 32751001000
REV	



1B1 RECEPTACLE ASM-GFI,US-15A
000120175 / 322736-01-XXX
265 RECEPTACLE ASM-GFI,CAN-15A
000120176 / 322737-01-XXX
(BLU) (GALLEY)

LOAD CENTER ASM
000123236 / 323554-01-000

J-PC
30

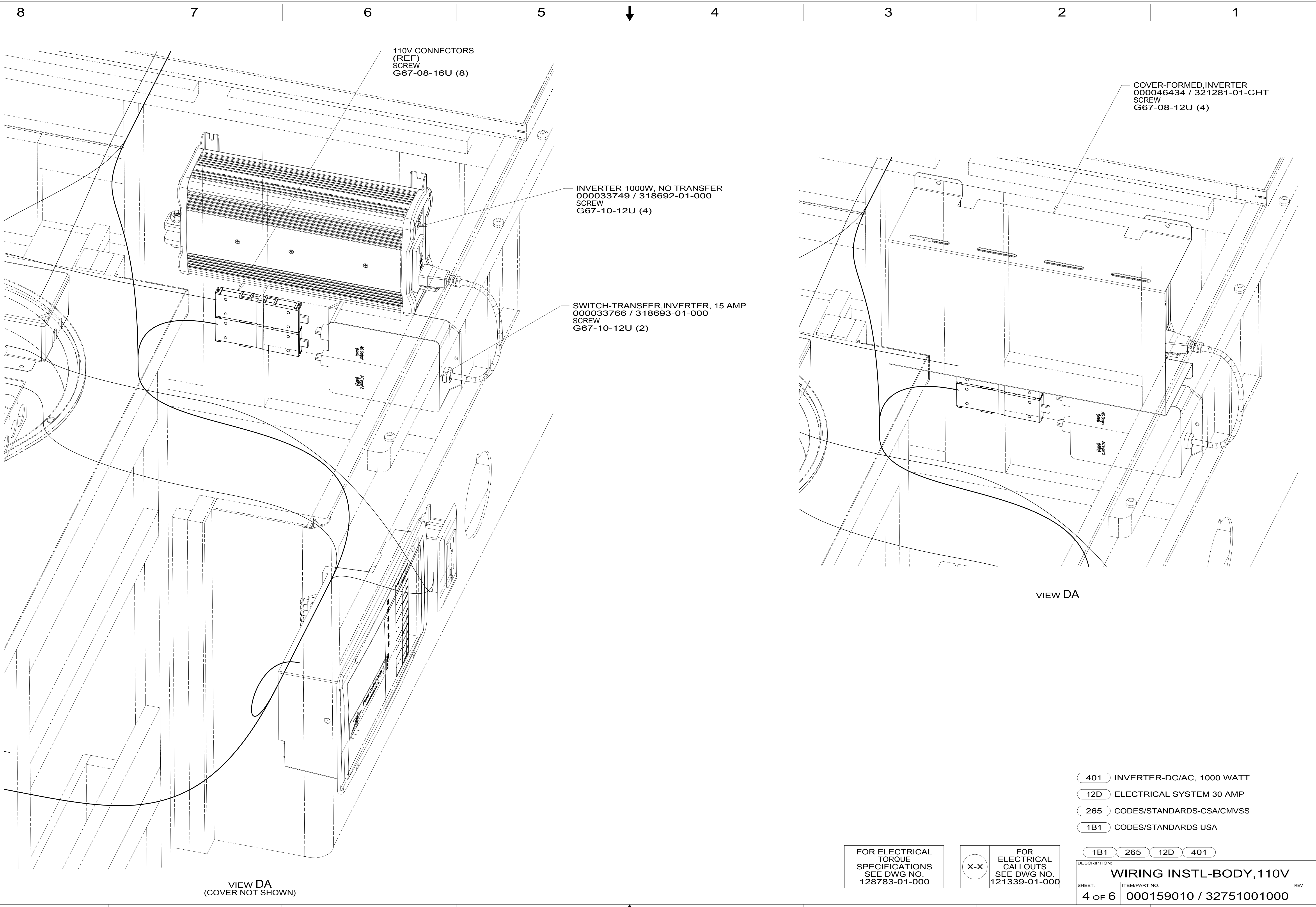
- NOTES:
- 4 SEE SHEET 5 FOR ADDITIONAL INFORMATION.
 - 3. ALL GROUND WIRE TO BE COVERED WITH TUBING 8041-02-000.
 - 2. ALL 110V WIRE TO BE CLAMPED WITH CLAMP 10497-05-000 WITHIN 200MM OF OUTLET BOXES, USE SCREW G67-10-12B.
 - 1. AT MINIMUM ALL WIRES TO BE SUPPORTED AND SECURED PER CODE REQUIREMENTS. USE CLAMP 10495 OR 10497 OR WIRE TIE 8343 OR 108046 AND SCREW G67-XX-XXX OR G56-XX-XXX AS APPROPRIATE FOR INSTALLATION.

FOR ELECTRICAL TORQUE SPECIFICATIONS SEE DWG NO. 128783-01-000

FOR ELECTRICAL CALLOUTS SEE DWG NO. 121339-01-000

- 68T TV - BEDROOM WITHOUT
- 39A EXT RECEPTACLE DPLX 120VAC
- 265 CODES/STANDARDS-CSA/CMVSS
- 1B1 CODES/STANDARDS USA

DESCRIPTION:	
WIRING INSTL-BODY, 110V	
SHEET:	ITEM/PART NO.:
3 OF 6	000159010 / 32751001000
REV	
06-Sep-2018	



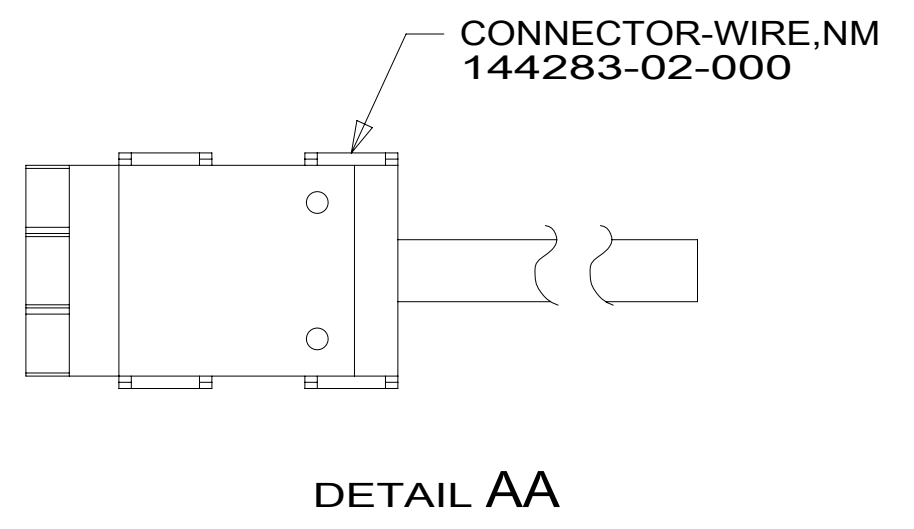
- 401 INVERTER-DC/AC, 1000 WATT
- 12D ELECTRICAL SYSTEM 30 AMP
- 265 CODES/STANDARDS-CSA/CMVSS
- 1B1 CODES/STANDARDS USA

1B1 265 12D 401

FOR ELECTRICAL TORQUE SPECIFICATIONS SEE DWG NO. 128783-01-000

FOR ELECTRICAL CALLOUTS SEE DWG NO. 121339-01-000

DESCRIPTION:		
WIRING INSTL-BODY, 110V		
SHEET:	ITEM/PART NO.:	REV:
4 OF 6	000159010 / 32751001000	



RED	1B1	136135-07-034	
	265	136136-07-034	
YEL	1B1	136131-05-018	2
	265	136134-05-018	2
BLK	1B1	136135-06-018	
	265	136136-06-018	
BRN	1B1	136131-03-013	2
	265	136134-03-013	2
BRN-2	1B1	136131-19-045	2
	265	136134-19-045	2
BLU	1B1	136131-02-115	
	265	136134-02-115	
MAIN	1B1	136137-01-074	
	265	136138-01-074	
BLK-2	1B1	136135-22-006	
	265	136136-22-006	
WHT	1B1	136135-09-025	
	265	136136-09-025	
THROW IN WIRE #1	1B1	136131-02-028	
	265	136134-02-028	
THROW IN WIRE #2	1B1	136131-03-004	2
	265	136136-03-004	2
THROW IN WIRE #3	1B1	136131-03-004	2
	265	136136-03-004	2

2 FOR CONNECTOR INSTALLATION, SEE DETAIL AA.

1. ALL GROUND WIRES TO BE COVERED WITH TUBING 8041-02-000.

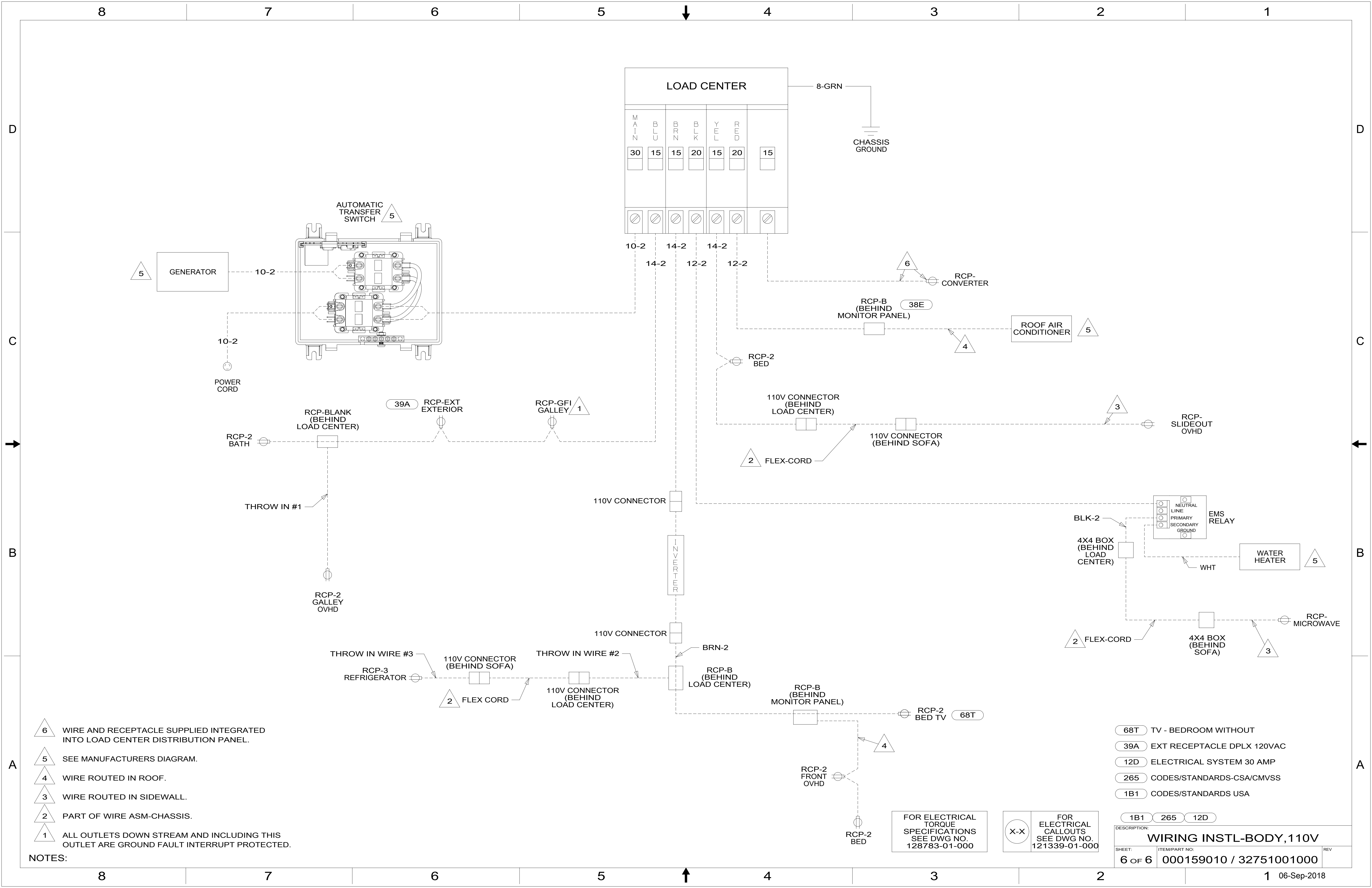
NOTES:

FOR ELECTRICAL TORQUE SPECIFICATIONS SEE DWG NO. 128783-01-000

FOR ELECTRICAL CALLOUTS SEE DWG NO. 121339-01-000

- 12D ELECTRICAL SYSTEM 30 AMP
- 265 CODES/STANDARDS-CSA/CMVSS
- 1B1 CODES/STANDARDS USA

1B1	265	12D
DESCRIPTION: WIRING INSTL-BODY, 110V		
SHEET: 5 OF 6	ITEM/PART NO: 000159010 / 32751001000	REV



- NOTES:
- 6 WIRE AND RECEPTACLE SUPPLIED INTEGRATED INTO LOAD CENTER DISTRIBUTION PANEL.
 - 5 SEE MANUFACTURERS DIAGRAM.
 - 4 WIRE ROUTED IN ROOF.
 - 3 WIRE ROUTED IN SIDEWALL.
 - 2 PART OF WIRE ASM-CHASSIS.
 - 1 ALL OUTLETS DOWN STREAM AND INCLUDING THIS OUTLET ARE GROUND FAULT INTERRUPT PROTECTED.

- 68T TV - BEDROOM WITHOUT
- 39A EXT RECEPTACLE DPLX 120VAC
- 12D ELECTRICAL SYSTEM 30 AMP
- 265 CODES/STANDARDS-CSA/CMVSS
- 1B1 CODES/STANDARDS USA

FOR ELECTRICAL TORQUE SPECIFICATIONS SEE DWG NO. 128783-01-000

FOR ELECTRICAL CALLOUTS SEE DWG NO. 121339-01-000

DESCRIPTION: WIRING INSTL-BODY, 110V		
SHEET: 6 OF 6	ITEM/PART NO.: 000159010 / 32751001000	REV