

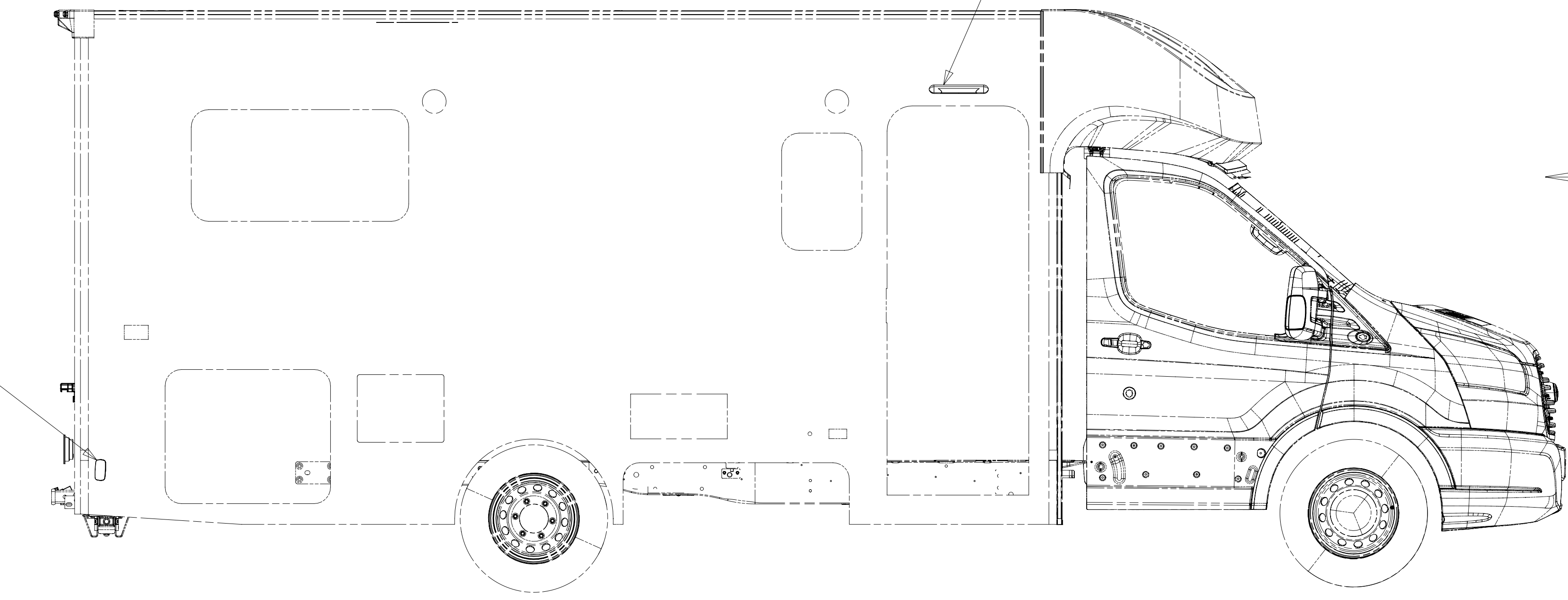
8 7 6 5 4 3 2 1

BB

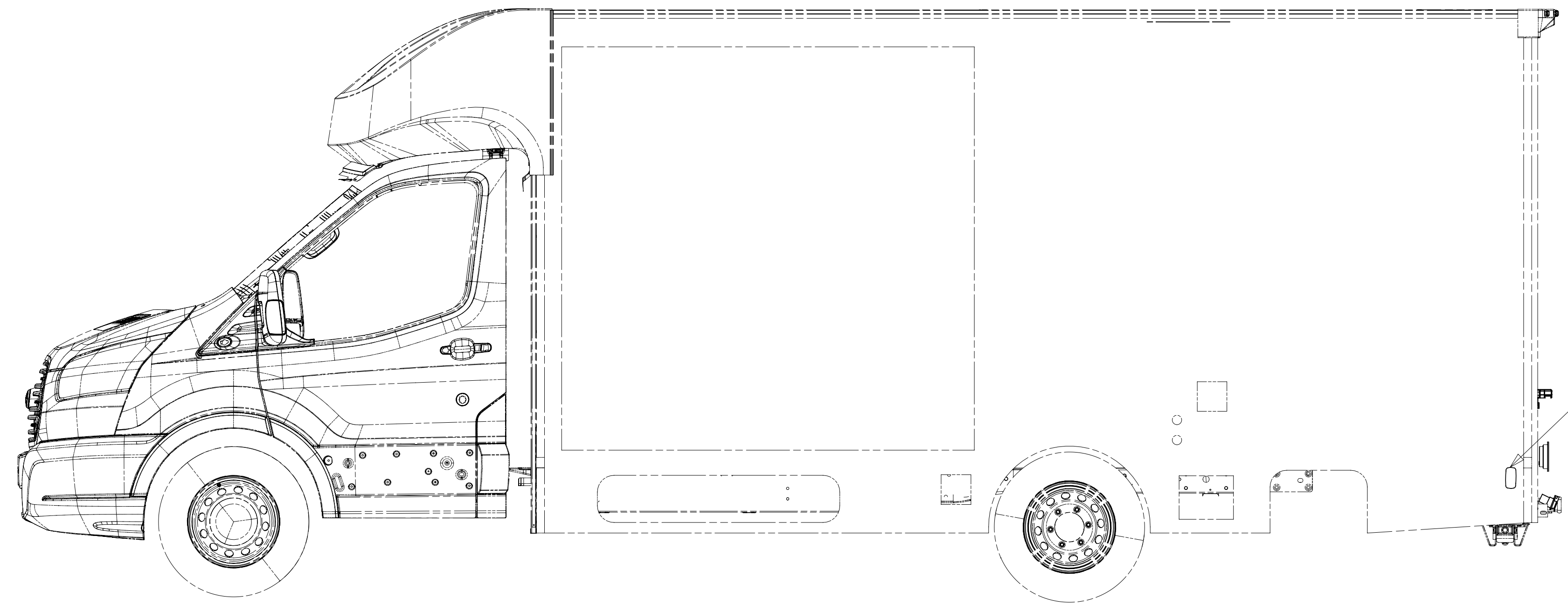
LAMP-MARKER, W RED LENS  
193802-04-000  
SCREW  
G11-08-12U (EXT)(2)

LAMP ASM-PORCH  
184120-01-CHT  
SCREW  
G68-06-10U (2)  
CONNECTOR  
58028-01-000 (2)

BA



LAMP-MARKER, W RED LENS  
193802-04-000  
SCREW  
G11-08-12U (EXT)(2)



FOR ELECTRICAL  
TORQUE  
SPECIFICATIONS  
SEE DWG NO.  
128783-01-000

FOR  
ELECTRICAL  
CALLOUTS  
SEE DWG NO.  
121339-01-000



DSNR:		ALL DIMENSIONS ARE IN MILLIMETERS	
DFFR:		MATERIAL:	
UNSPECIFIED TOLERANCES:			
WHOLE DIM (X)	: 3		
ONE-PLACE (X.X)	: 1.5		
TWO-PLACE (X.XX)	: 0.50		
ANGLE	: 1°		

REFER TO ES0018 FOR FASTENER TIGHTENING GUIDELINES

WEIGHT: (LBS) FIRST USED:  
**19 423F**

DESCRIPTION:  
**WIRING INSTL-EXTERIOR LAMPS**

SHEET: 1 OF 2 ITEM/PART NO.: 000157654 / 32707201000 REV:

8 7 6 5 4 3 2 1

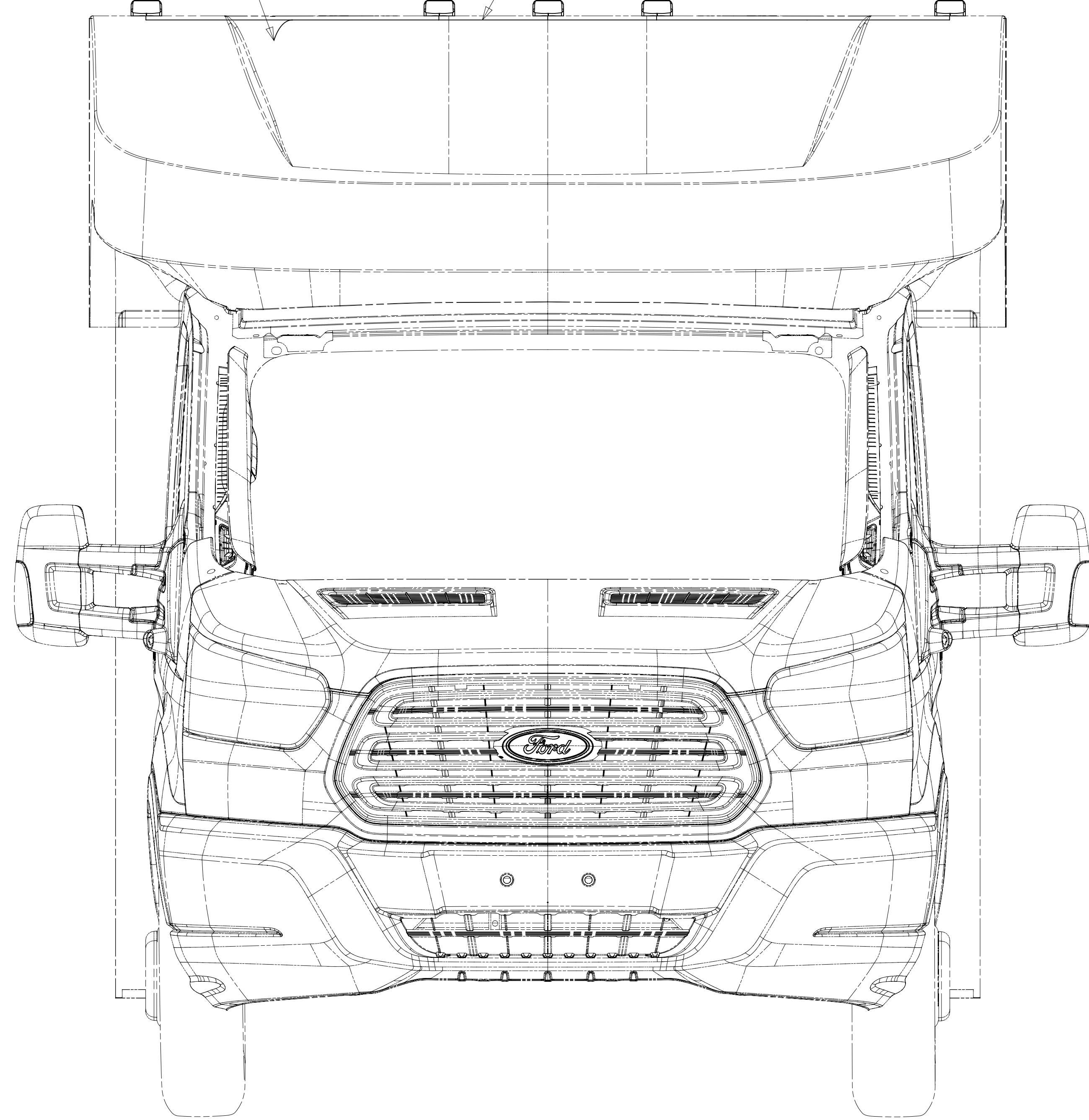
2 PIN HOUSING  
TO WIRE ASM-ROOF

WIRE ASM-CLEARANCE LAMP  
191817-01-000

LAMP ASM-CLEARANCE,FRONT  
170776-01-000 (5)

WIRE ASM-CLEARANCE LAMPS  
000157653 / 327071-01-000

LAMP ASM-CLEARANCE <sup>2</sup>

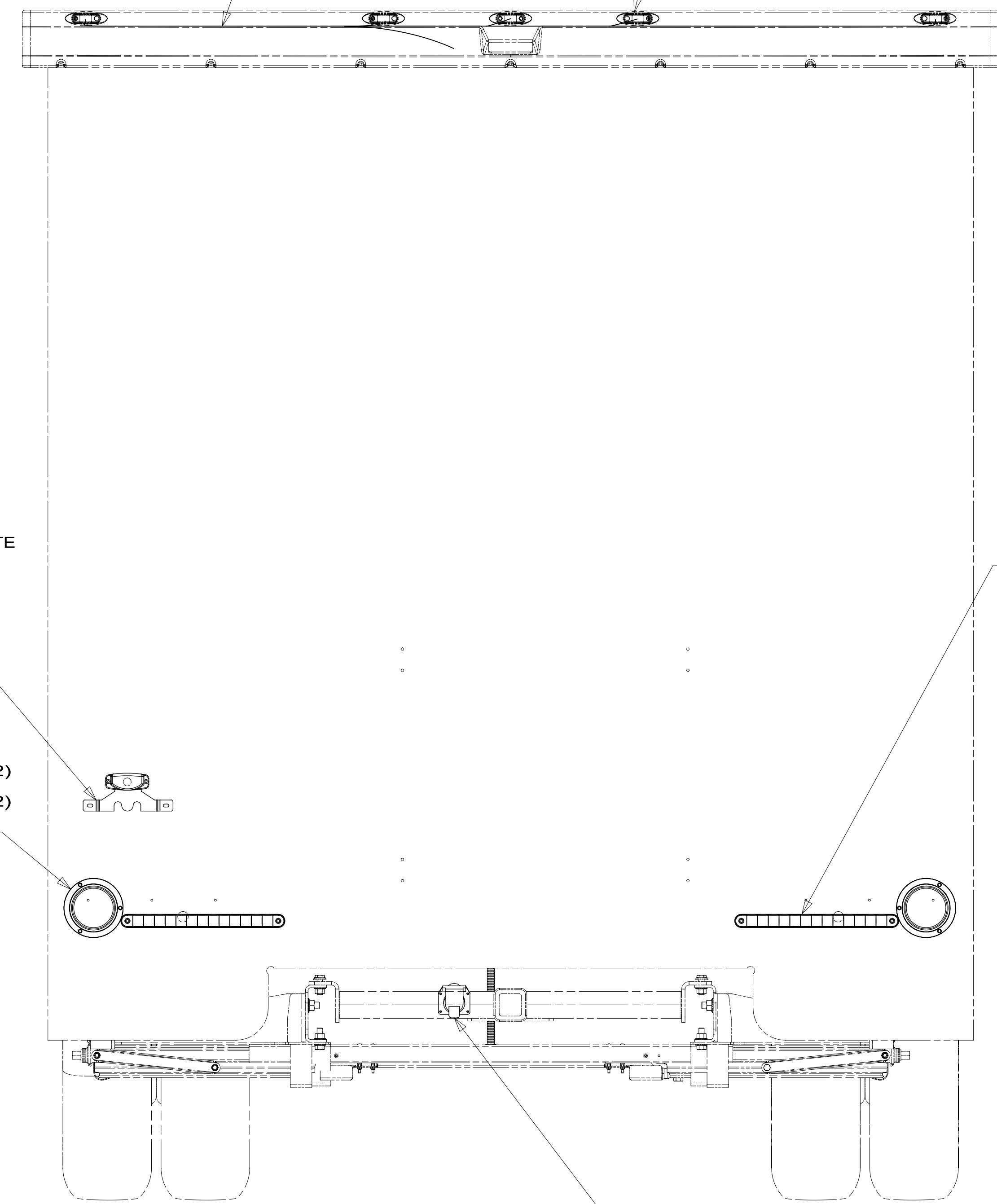


VIEW BA

BRACKET-LICENSE PLATE  
066432-03-000  
SCREW  
G67-10-129 (2)  
LIGHT-LICENSE BLACK  
066432-02-000  
SCREW  
G39-08-12U (EXT)(2)  
CONNECTOR  
058028-01-000 (2)

<sup>3</sup> LAMP ASM-BACKUP  
184674-01-000 (2)  
BEZEL-LAMP  
184674-02-000 (2)  
SCREW  
G11-08-12U (6)

LAMP ASM-STOP/TURN/TAI  
184653-01-000 (2)  
SCREW  
G11-08-12U (4) <sup>1</sup>



VIEW BB

CONNECTOR-TRAILER  
157593-01-000  
SCREW  
101618-01-000 (4) <sup>240</sup>

- NOTES:
- <sup>4</sup> CLAMP TRAILER HITCH AND EXTERIOR LAMP WIRE ALONG BOTTOM OF BACKWALL ASSEMBLY.
  - <sup>3</sup> CUT CONNECTOR OFF OF LIGHT ASM. CONNECT CIRCUIT TR TO BLACK WIRE, CONNECT CIRCUIT MS TO WHITE WIRE.
  - <sup>2</sup> SEE TRIM ASM-BACKWALL,UPPER FOR ADDITIONAL INFORMATION.
  - <sup>1</sup> CONNECT CIRCUIT SC OR SD TO RED WIRE, CONNECT CIRCUIT MM TO BROWN WIRE, CONNECT CIRCUIT MS TO WHITE WIRE.

- <sup>240</sup> TRAILER HITCH
- <sup>265</sup> CODES/STANDARDS-CSA/CMVSS
- <sup>1B1</sup> CODES/STANDARDS USA

FOR ELECTRICAL  
TORQUE  
SPECIFICATIONS  
SEE DWG NO.  
128783-01-000

FOR  
ELECTRICAL  
CALLOUTS  
SEE DWG NO.  
121339-01-000

DESCRIPTION:	1B1 265	
<b>WIRING INSTL-EXTERIOR LAMPS</b>		
SHEET:	ITEM/PART NO.:	REV
2 OF 2	000157654 / 32707201000	