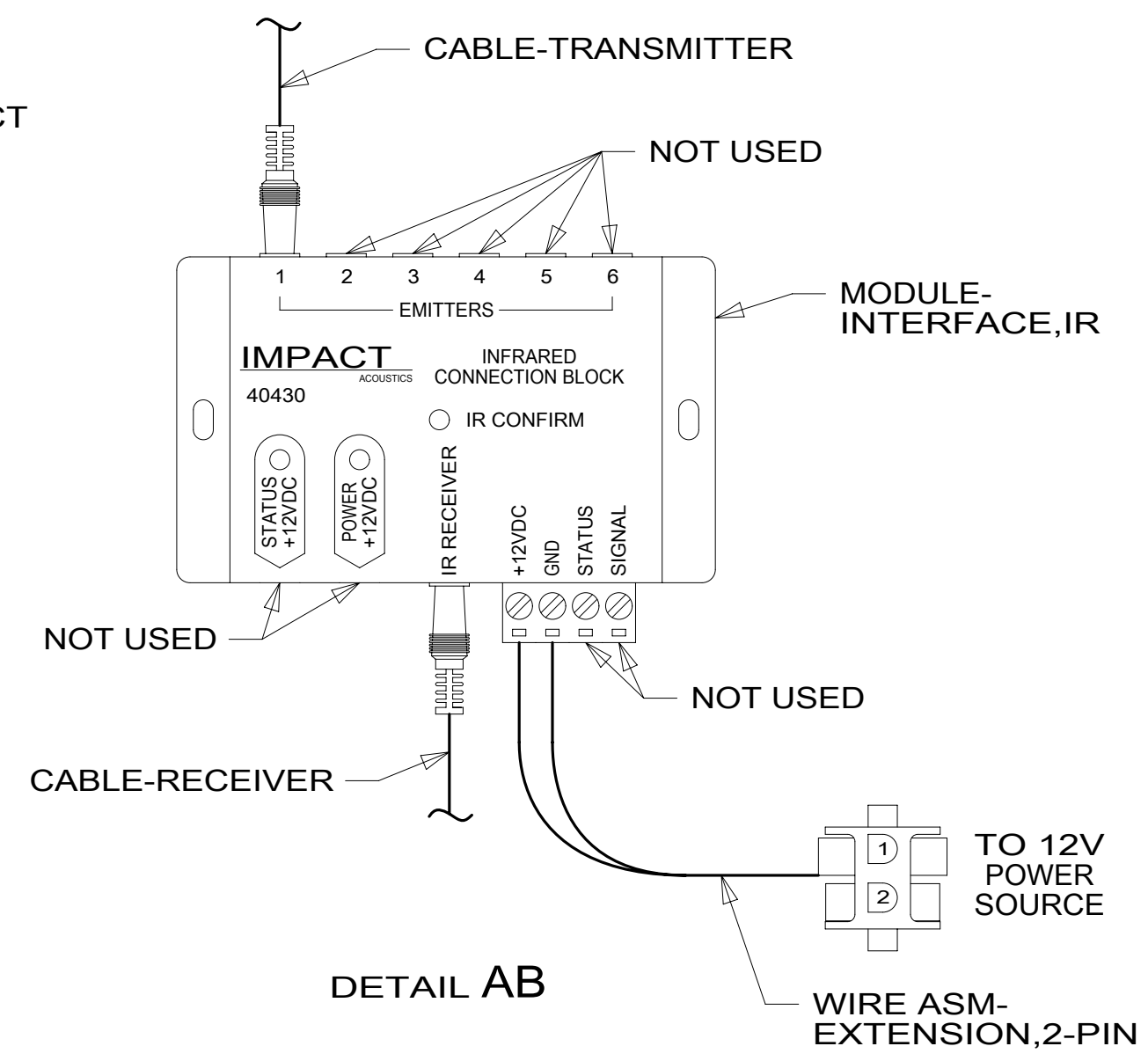
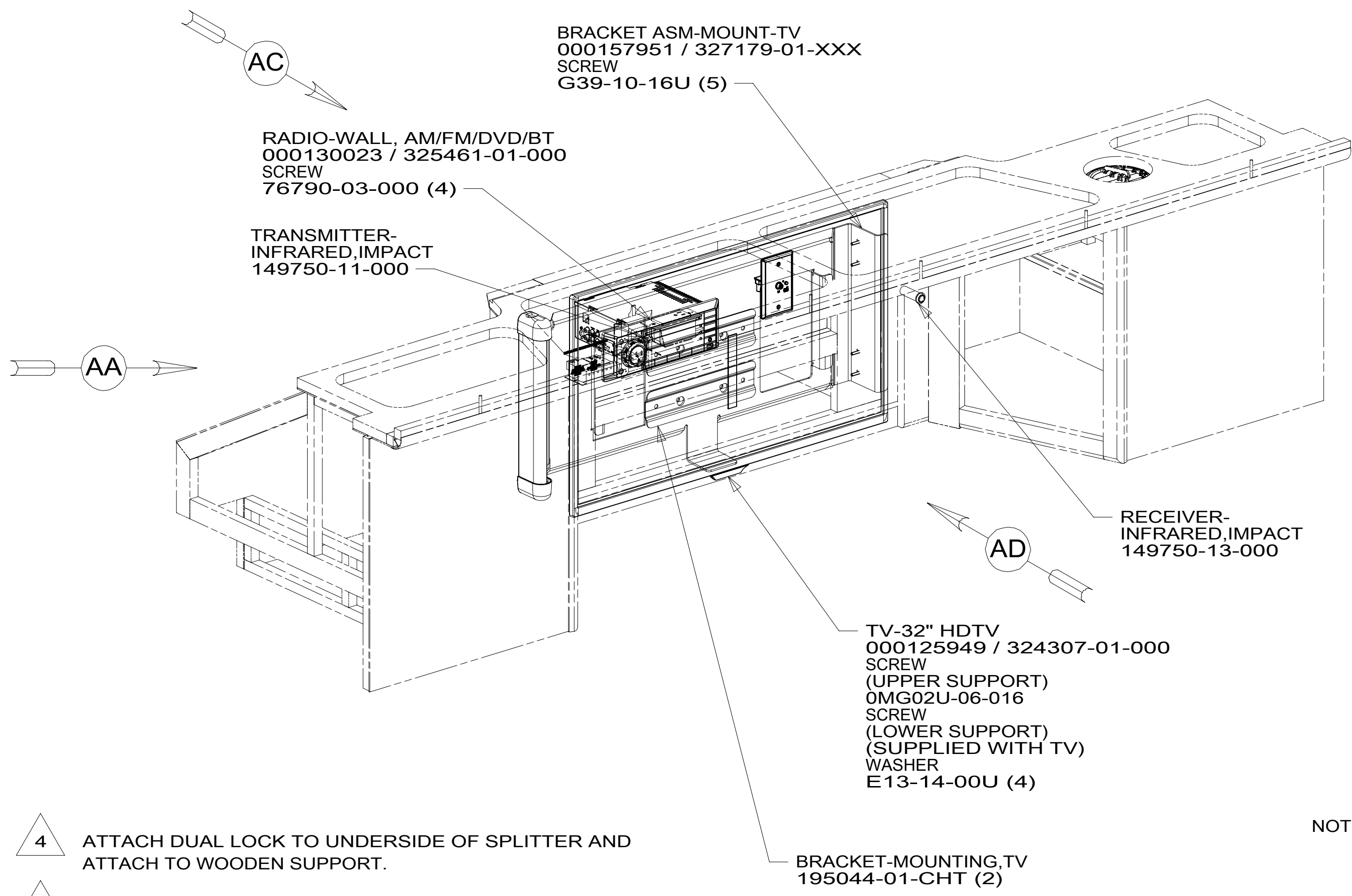
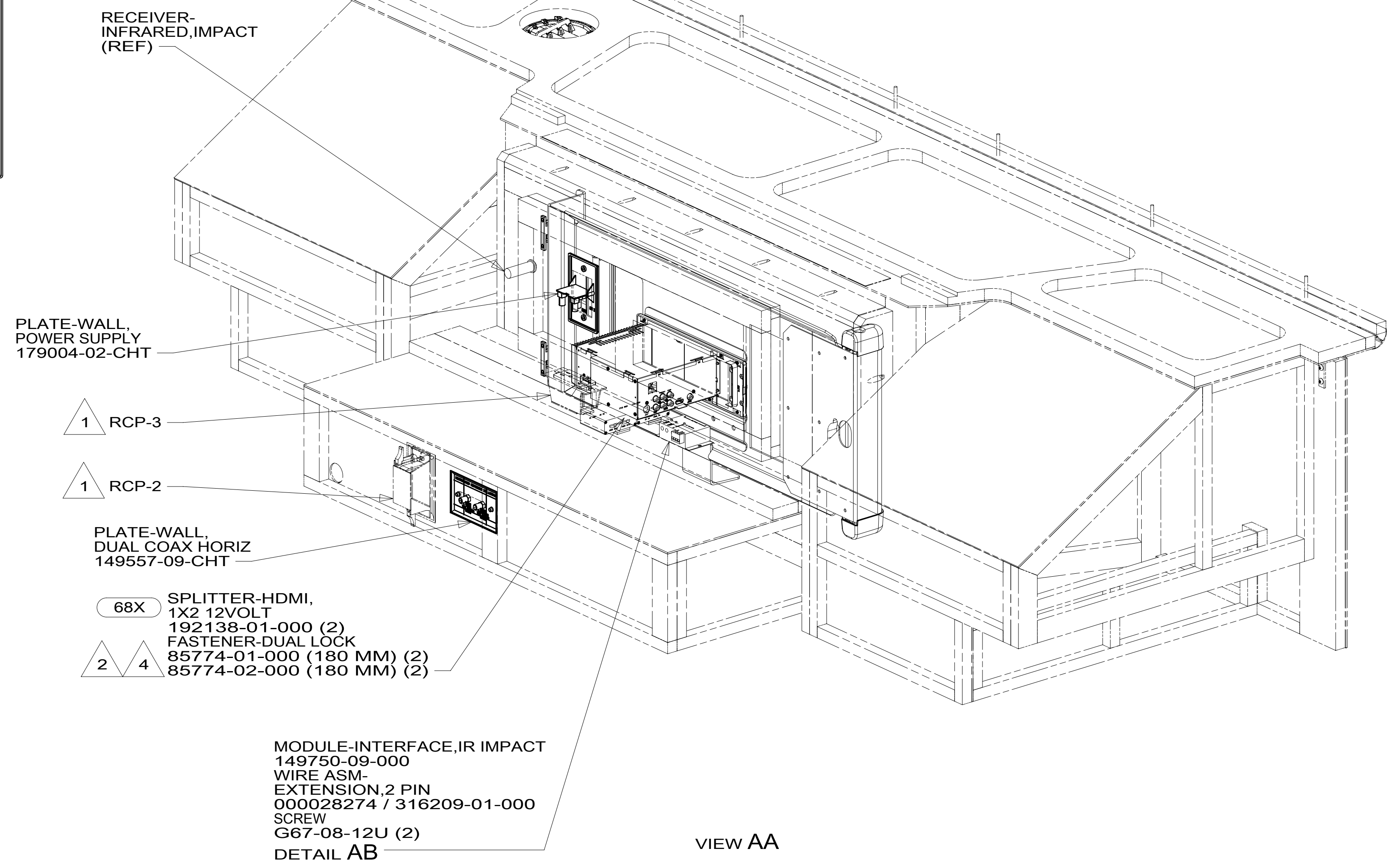
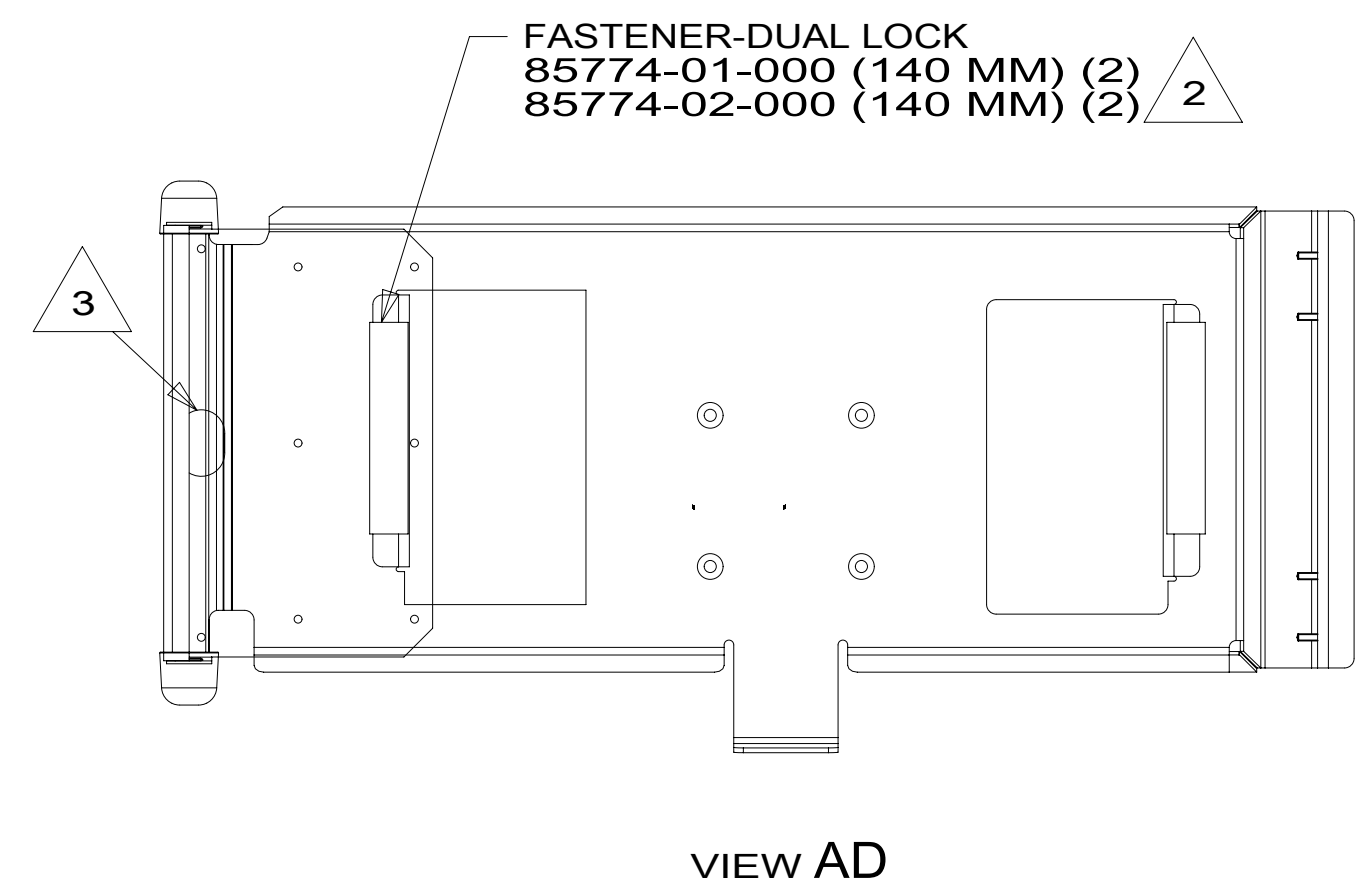
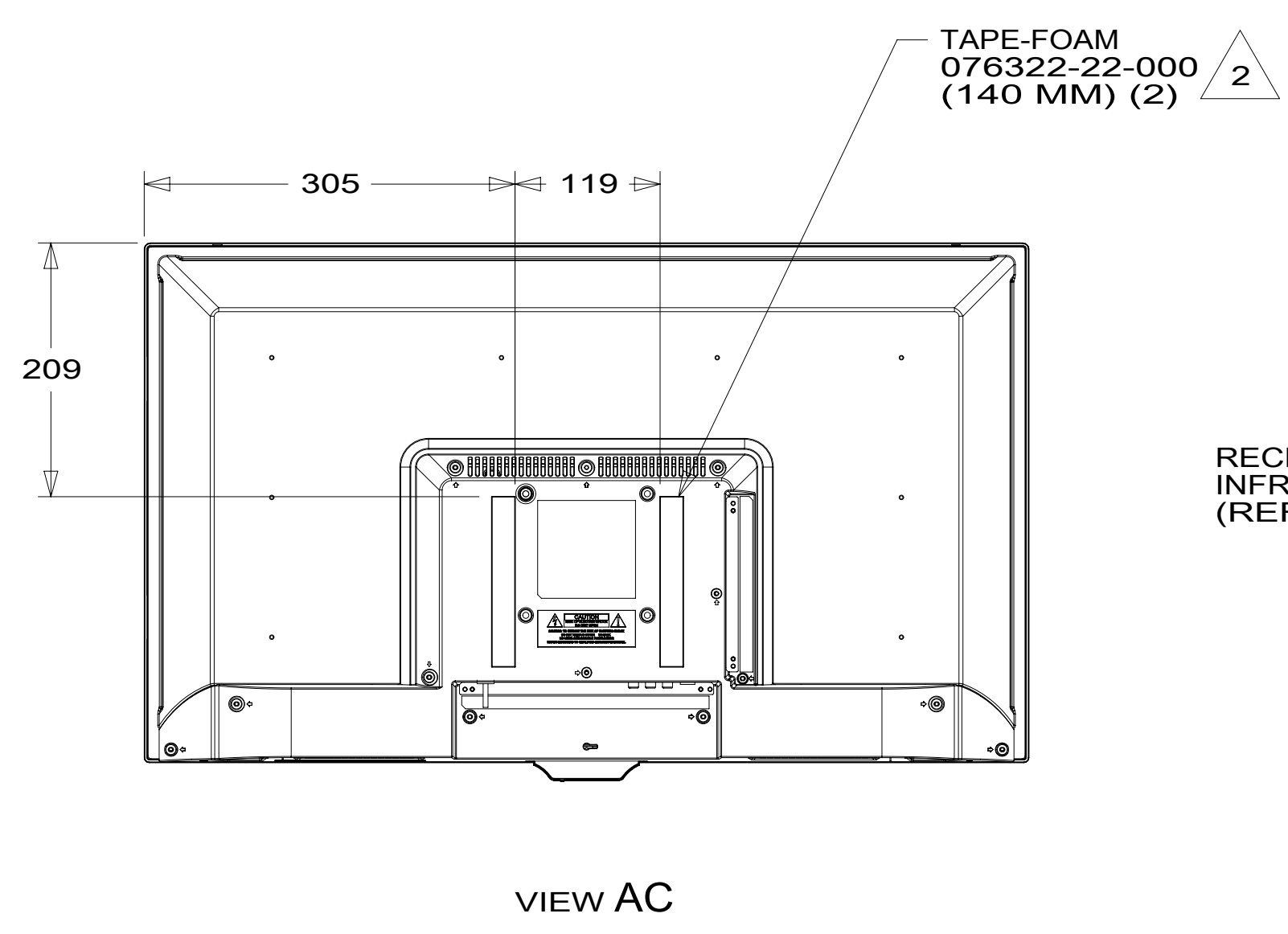


8 7 6 5 4 3 2 1



- NOTES:
- 4 ATTACH DUAL LOCK TO UNDERSIDE OF SPLITTER AND ATTACH TO WOODEN SUPPORT.
 - 3 HOLE IN BRACKET TO ALIGN WITH HOLE IN CABINET.
 - 2 CLEAN AND APPLY ADHESIVE PROMOTER 87211-01-000 TO BOTH SURFACES.
 - 1 SEE WIRING INSTL-BODY, 110V FOR ADDITIONAL INFORMATION.

- 68X TV - BEDROOM
- 265 CODES/STANDARDS-CSA/CMVSS
- 1B1 CODES/STANDARDS USA

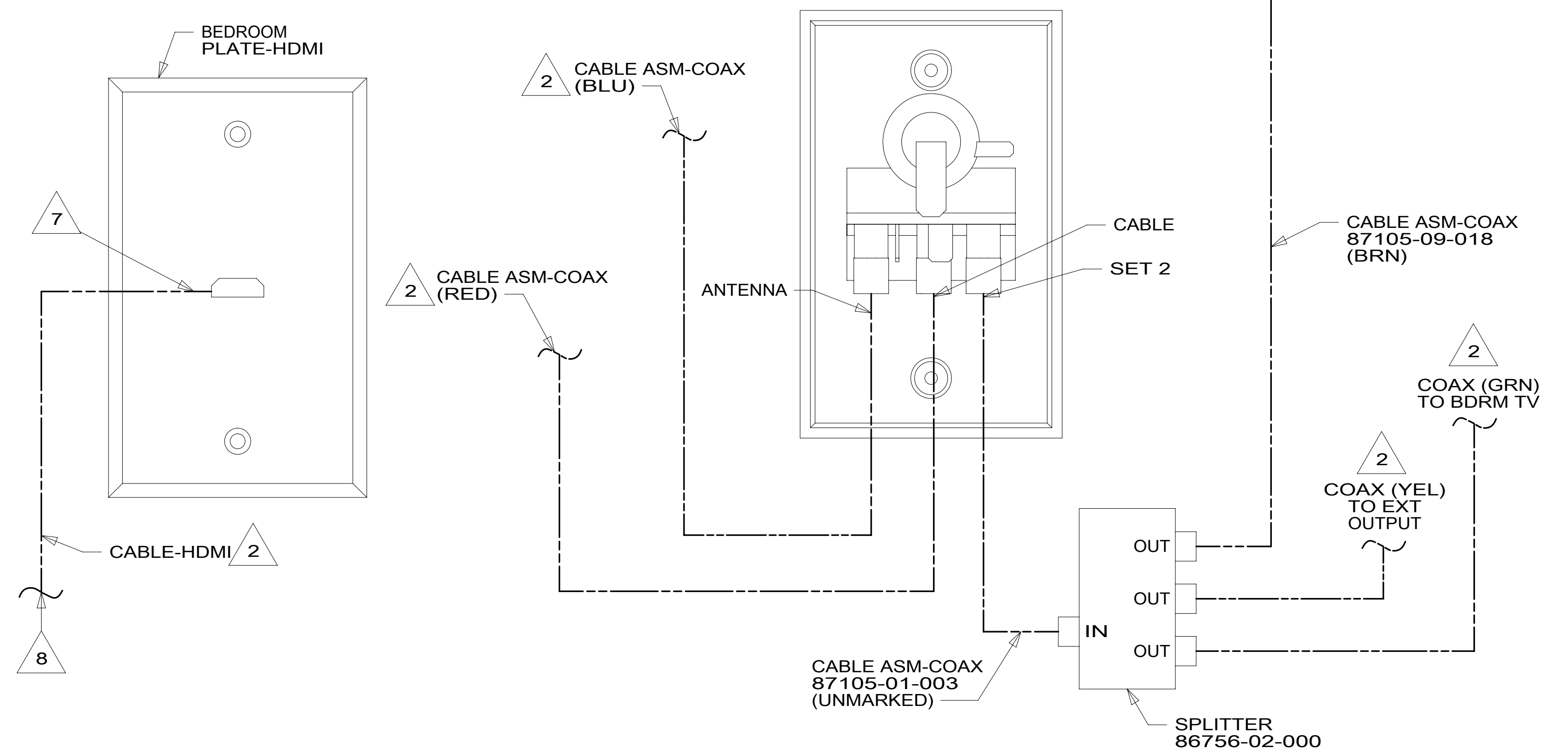
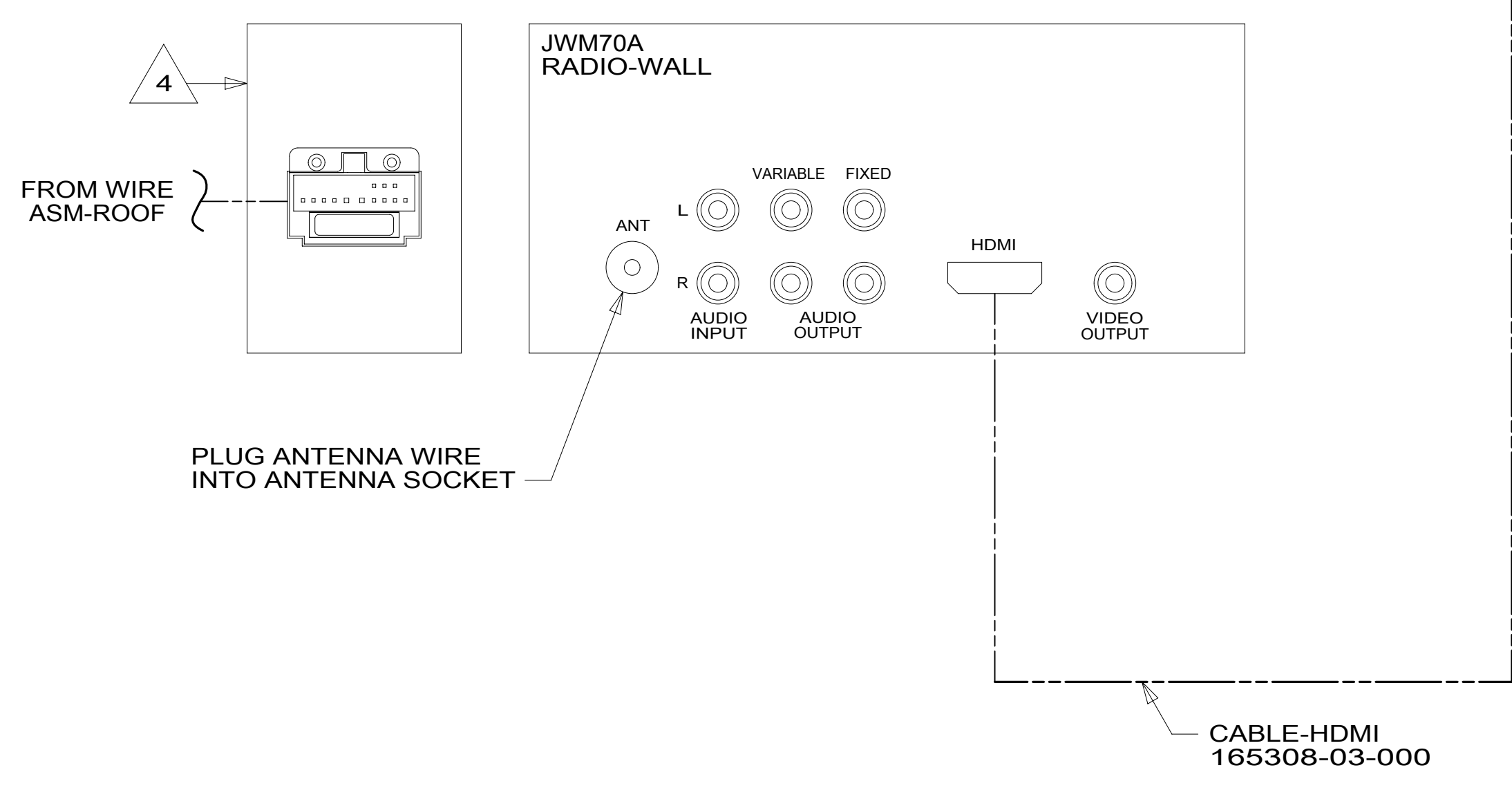
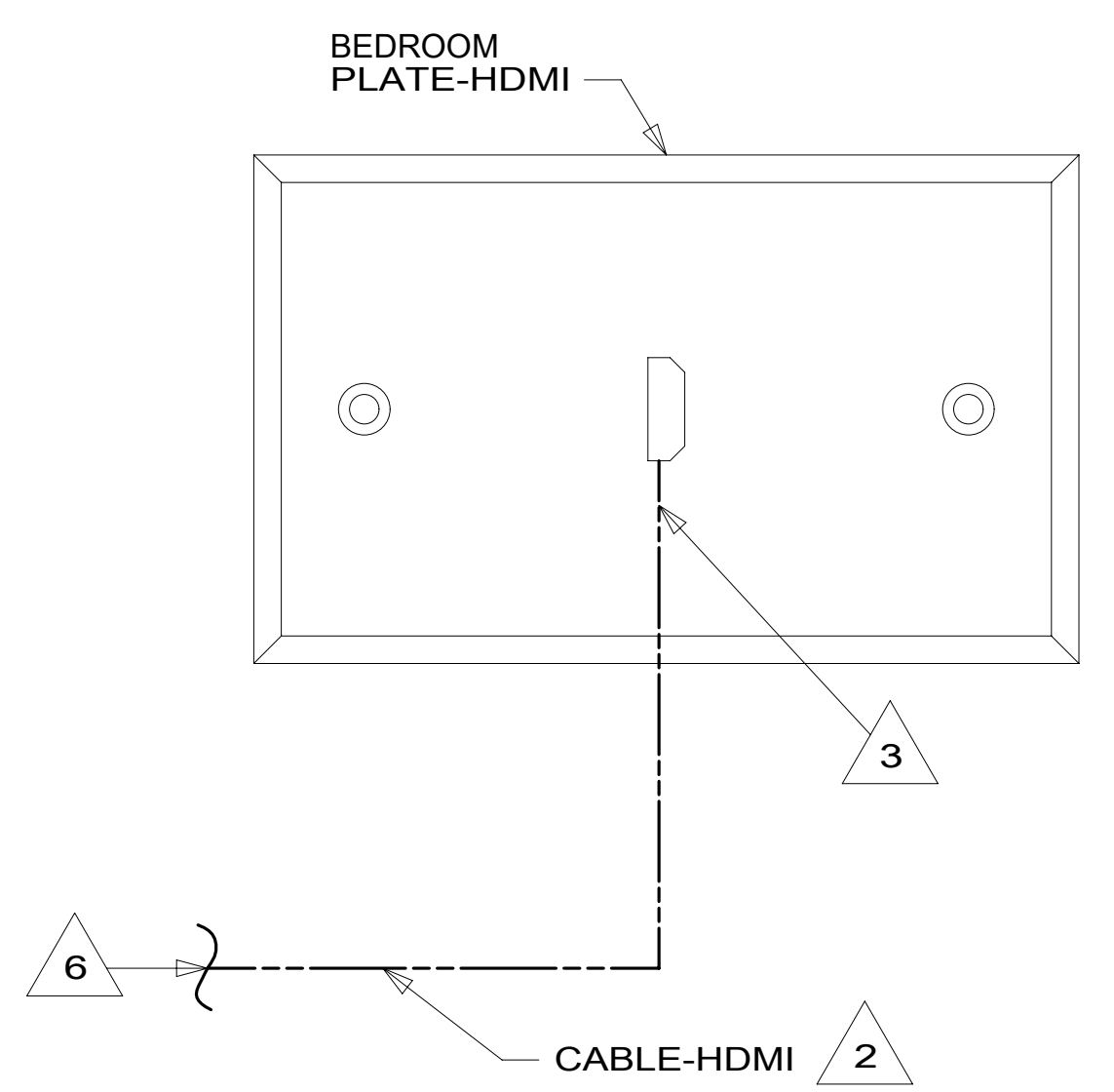
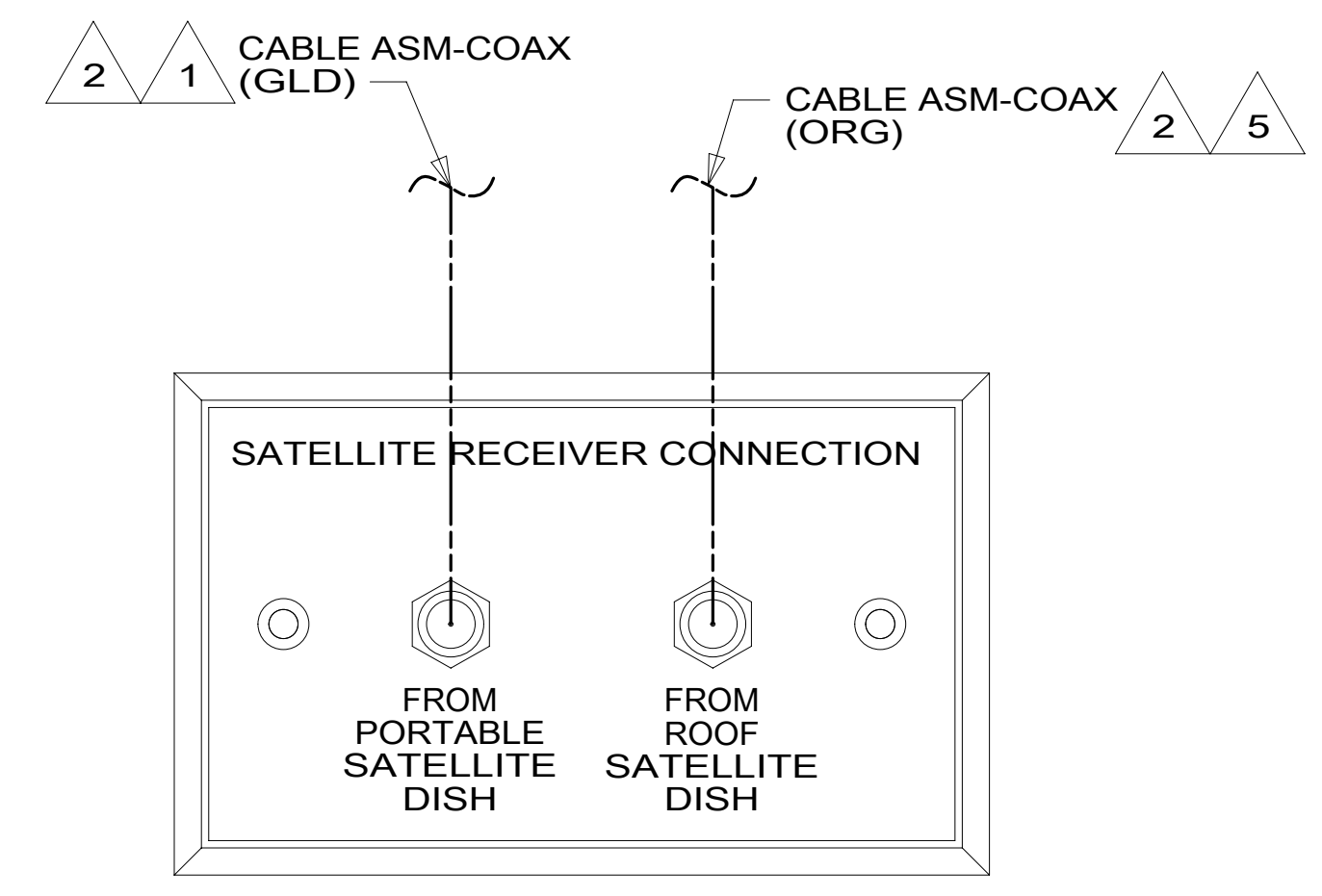
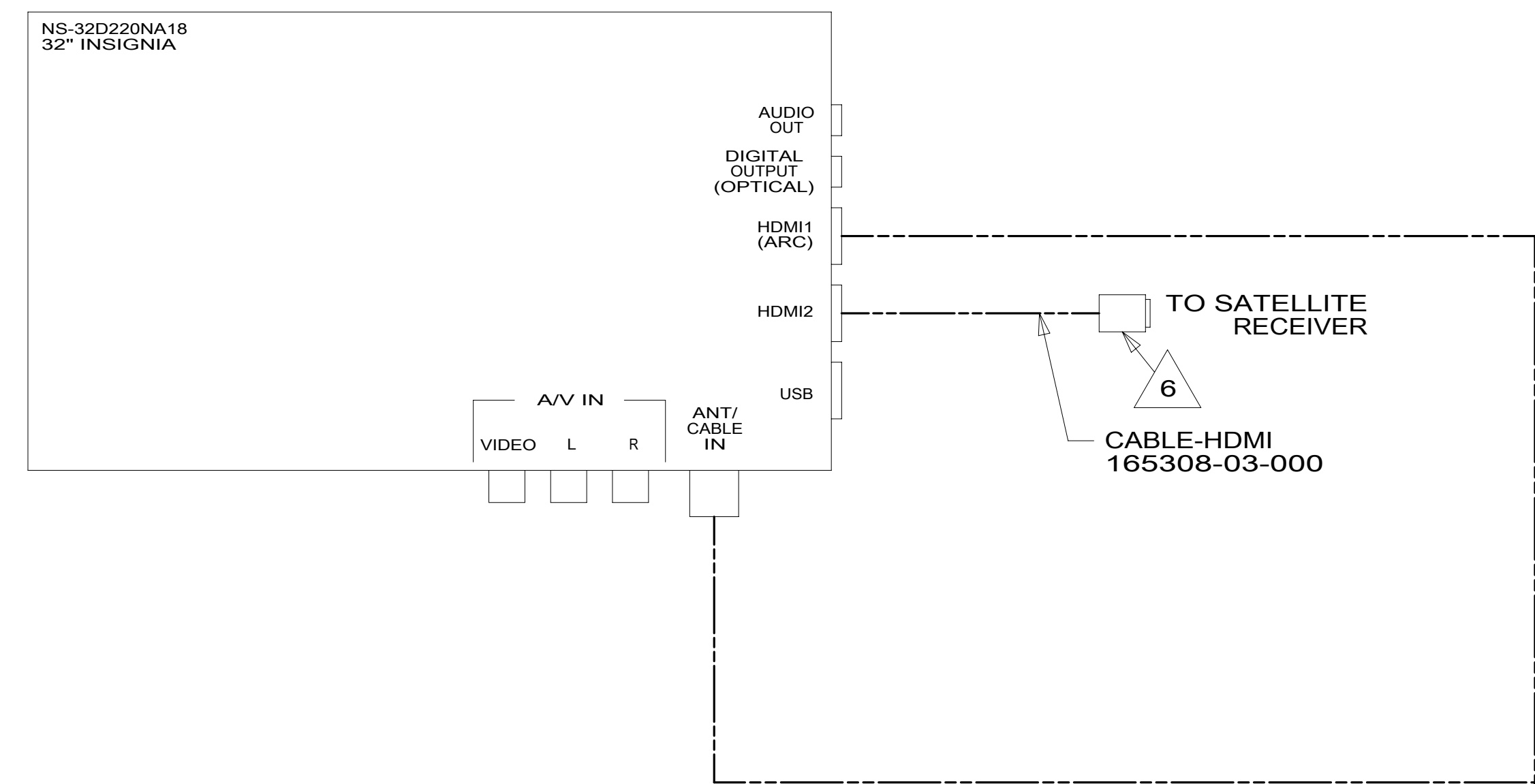
WINNEBAGO
COPYRIGHT 2016 WINNEBAGO INDUSTRIES, INC.

DSNR:	ALL DIMENSIONS ARE IN MILLIMETERS
DIFFR:	
UNSPECIFIED TOLERANCES:	MATERIAL:
WHOLE DIM (X) : 3	
ONE-PLACE (X.X) : 1.5	
TWO-PLACE (X.XX) : 0.50	
ANGLE : 1°	
REFER TO ES0018 FOR FASTENER TIGHTENING GUIDELINES	WEIGHT: (LBS) FIRST USED: 19 423F
DESCRIPTION: WIRING INSTL-TV/DVD	
SHEET: 1 OF 4	ITEM/PART NO: 000155759 / 32645501000
REF:	1 12-Sep-2018

FOR ELECTRICAL TORQUE SPECIFICATIONS SEE DWG NO. 128783-01-000

FOR ELECTRICAL CALLOUTS SEE DWG NO. 121339-01-000

8 7 6 5 4 3 2 1



- NOTES:
- 8 COIL LOOSE END BEHIND RADIO/DVD PLAYER.
 - 7 CABLE MARKED WITH GREEN TAPE.
 - 6 COIL LOOSE END IN FUTURE SATELLITE RECEIVER COMPARTMENT.
 - 5 CONNECTED TO THE REAR SIDE OF SATELLITE PREP PLATE, CONNECTION LABELED "FROM ROOF SATELLITE DISH".
 - 4 SEE WIRING INSTL-BODY, 12V FOR ADDITIONAL INFORMATION.
 - 3 CABLE MARKED WITH ORANGE TAPE.
 - 2 CABLE PART OF WIRE ASM-ROOF.
 - 1 CONNECTED TO THE REAR SIDE OF SATELLITE PREP PLATE CONNECTION LABELED "FROM PORTABLE SATELLITE DISH"

FOR ELECTRICAL TORQUE SPECIFICATIONS SEE DWG NO. 128783-01-000

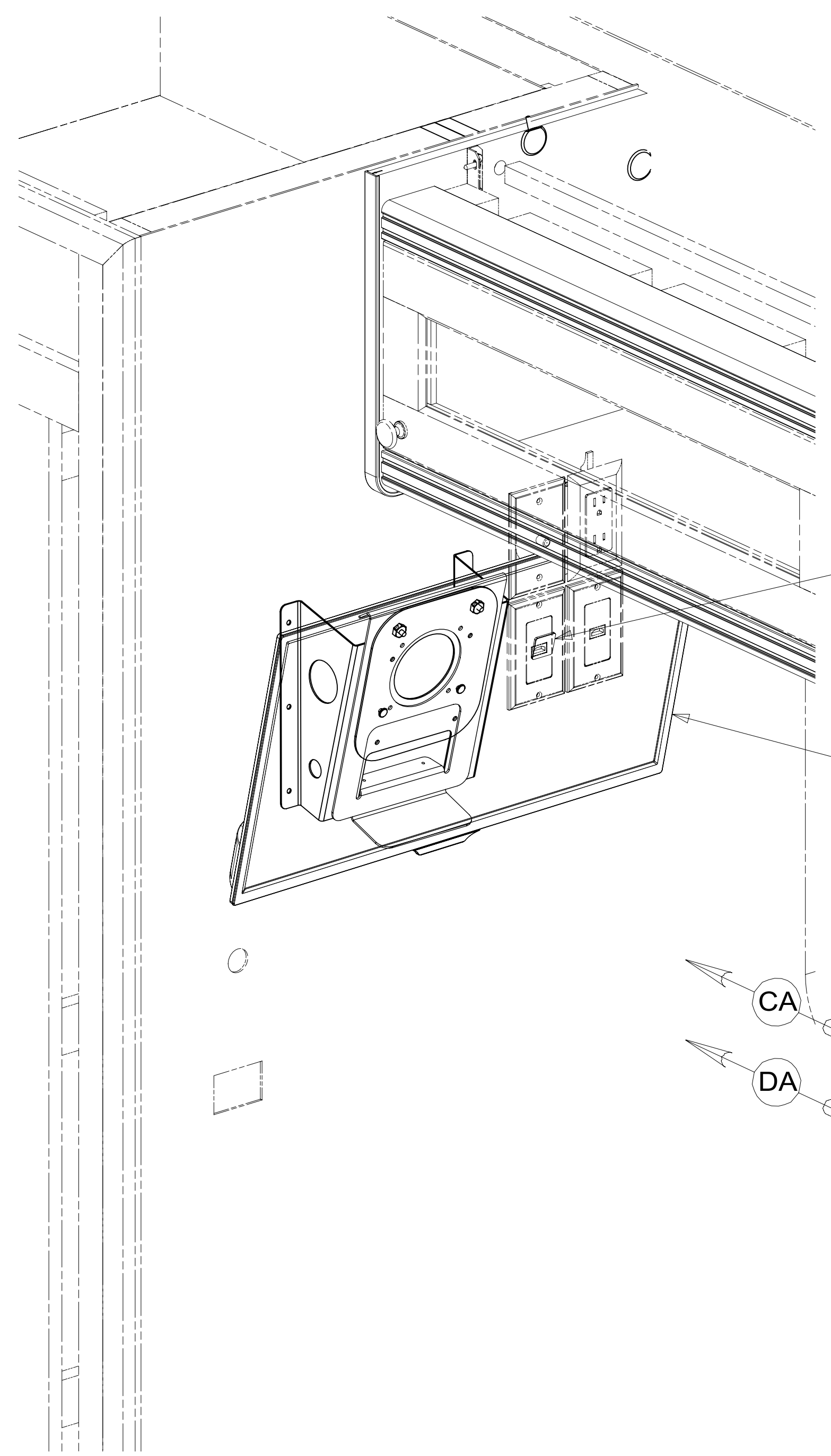
FOR ELECTRICAL CALLOUTS SEE DWG NO. 121339-01-000

- 265 CODES/STANDARDS-CSA/CMVSS
- 1B1 CODES/STANDARDS USA

DESCRIPTION:		1B1 265	
WIRING INSTL-TV/DVD			
SHEET:	ITEM/PART NO.:	REV	
2 OF 4	000155759 / 32645501000		

8 7 6 5 4 3 2 1

D
C
B
A



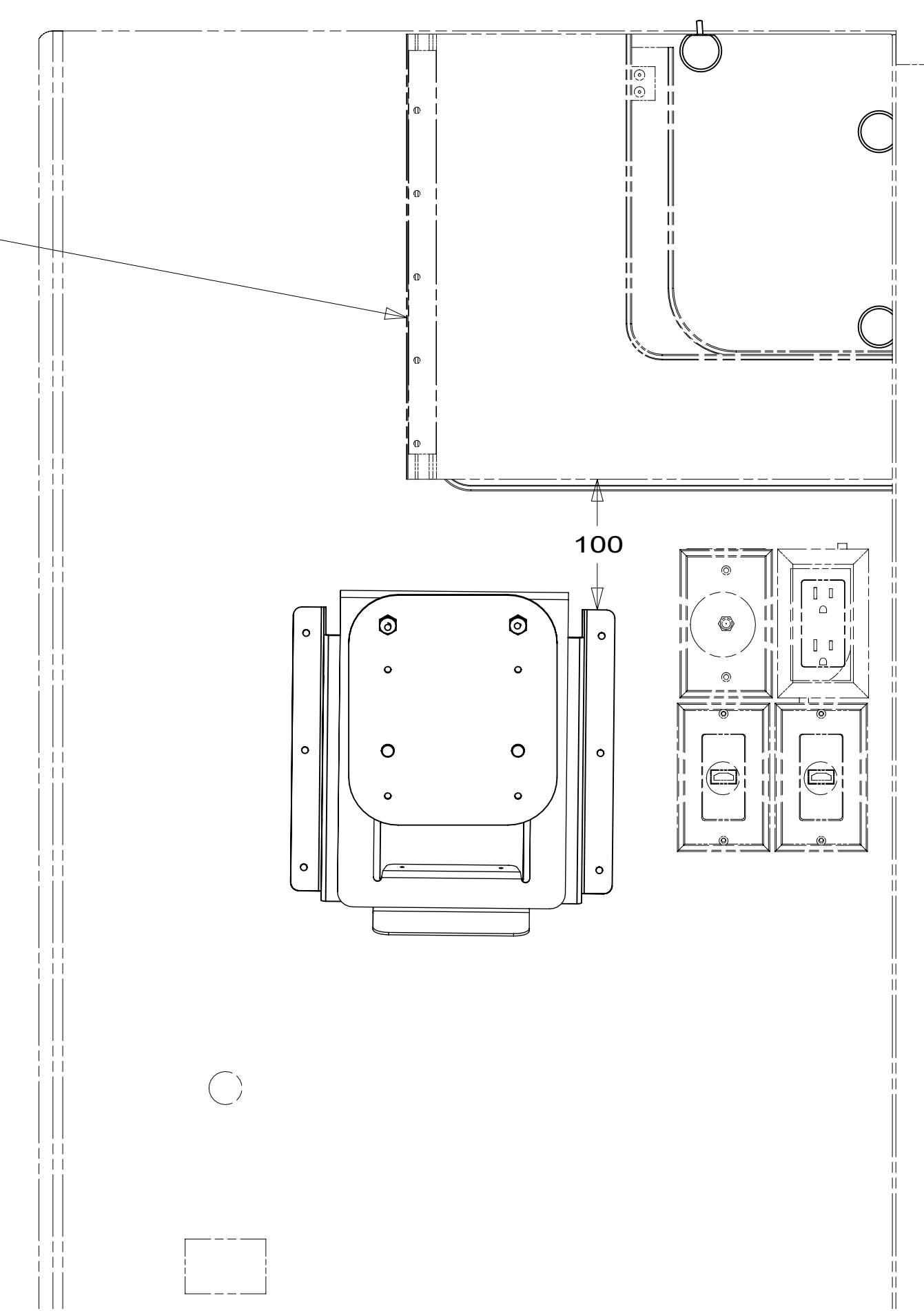
TIE-WIRE, MOUNT ADHESIVE 1
155366-01-000
TIE-WIRE
008343-04-000

TV-24" HDTV, INSIGNIA
000167921 / 330227-01-000
PLATE, ASM
000168018 / 330250-01-CHT
NUT
000D65-08-00U (2)
SCREW
000G19-10-10U (2)
BRACKET-TV, 24INSIGNIA
000033447 / 317570-01-CHT
SCREW
000G11-10-10U (6)
PLATE-MOUNTING
000032972 / 317364-01-CHT
SCREW
OMG02U-04-012 (4)
WASHER
OME02U-04-071 (4)
SCREW
G11-08-024 (2)

CA

DA

CABINET ASM-OVHD,BED
(REF)



SIDEWALL ASM-RIGHT
(REF)

VIEW CA
(TV NOT SHOWN)

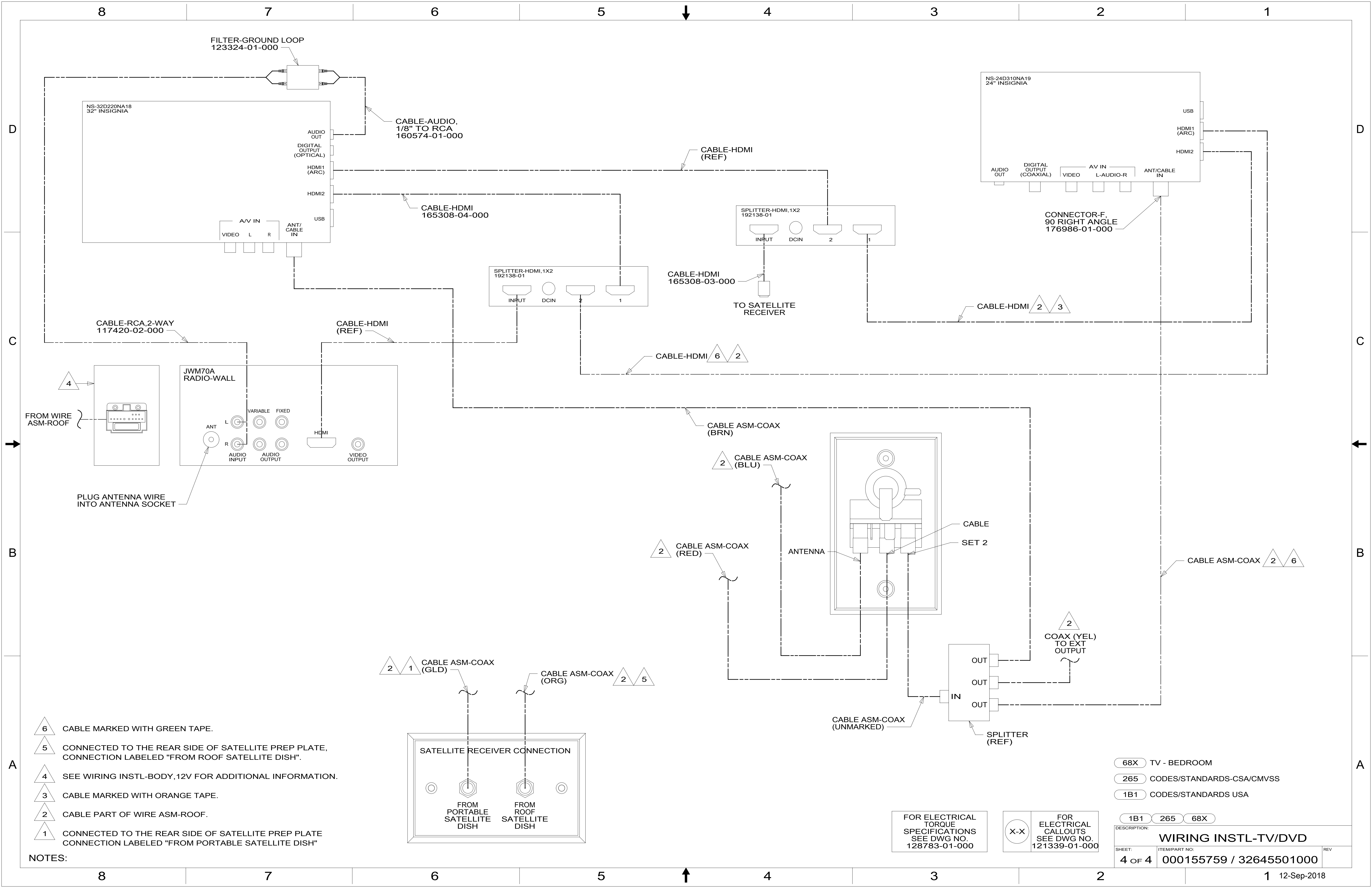
- 68X TV - BEDROOM
- 265 CODES/STANDARDS-CSA/CMVSS
- 1B1 CODES/STANDARDS USA

FOR ELECTRICAL
TORQUE
SPECIFICATIONS
SEE DWG NO.
128783-01-000

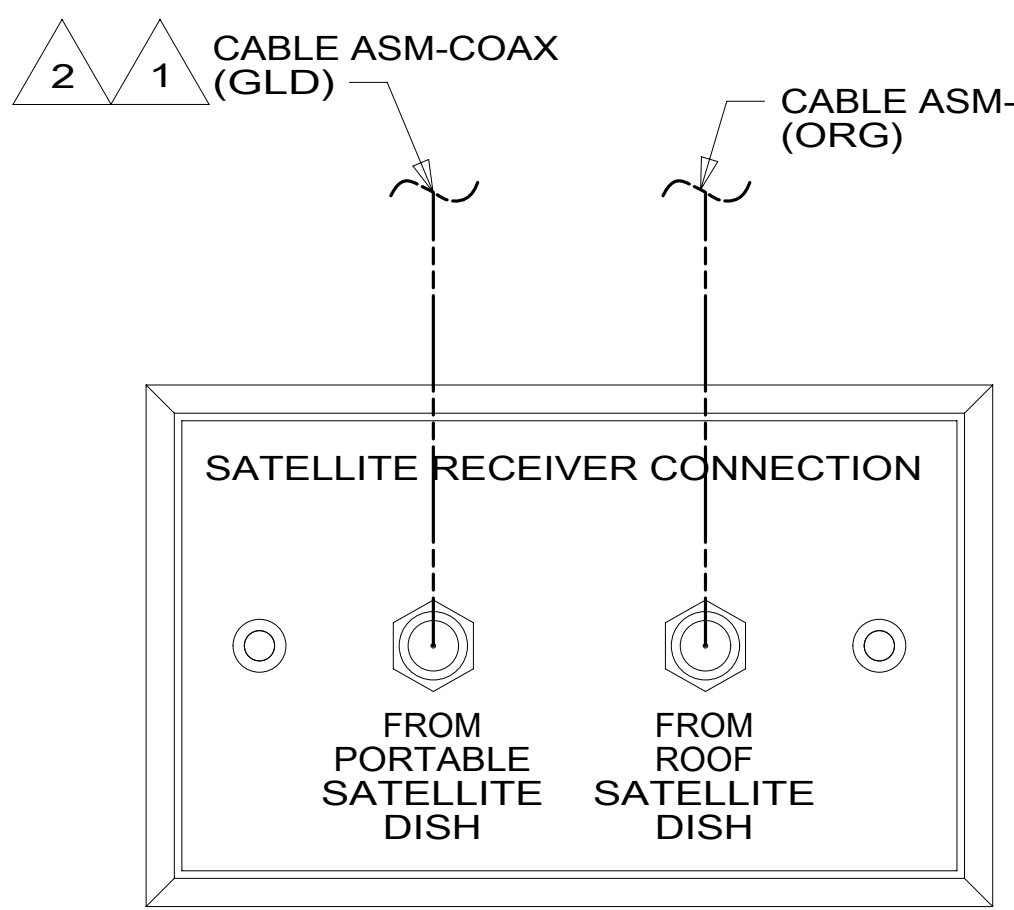
FOR ELECTRICAL
CALLOUTS
SEE DWG NO.
121339-01-000

DESCRIPTION:	1B1 265 68X	
WIRING INSTL-TV/DVD		
SHEET:	ITEM/PART NO:	REV
3 OF 4	000155759 / 32645501000	

8 7 6 5 4 3 2 1 12-Sep-2018



- NOTES:
- 6 CABLE MARKED WITH GREEN TAPE.
 - 5 CONNECTED TO THE REAR SIDE OF SATELLITE PREP PLATE, CONNECTION LABELED "FROM ROOF SATELLITE DISH".
 - 4 SEE WIRING INSTL-BODY, 12V FOR ADDITIONAL INFORMATION.
 - 3 CABLE MARKED WITH ORANGE TAPE.
 - 2 CABLE PART OF WIRE ASM-ROOF.
 - 1 CONNECTED TO THE REAR SIDE OF SATELLITE PREP PLATE CONNECTION LABELED "FROM PORTABLE SATELLITE DISH"



FOR ELECTRICAL TORQUE SPECIFICATIONS SEE DWG NO. 128783-01-000

FOR ELECTRICAL CALLOUTS SEE DWG NO. 121339-01-000

- 68X TV - BEDROOM
- 265 CODES/STANDARDS-CSA/CMVSS
- 1B1 CODES/STANDARDS USA

DESCRIPTION: WIRING INSTL-TV/DVD		
SHEET: 4 OF 4	ITEM/PART NO.: 000155759 / 32645501000	REV
12-Sep-2018		