

FAN DEFROSTER
122856-01-000 (2)
SCREW
G39-08-16E (6)
BUTT SPLICE
TO AUX FANS
LF-GRN
LF-YEL
XW-BLK

SPEAKER
171547-01-CHT (2)
SCREW
G11-08-12U (8)

WIRE ASM-BED LIFT
195046-01-000

3 PIN HOUSING
TO SIDEWALL

3 PIN HSG
TO BED LIFT

WIRE ASM-IP, MAIN
000155329 / 326306-01-000

TO RELAYS

3,4 & 6 PIN HOUSINGS
TO LEVELING SYSTEM CONTROLS

RING TERMINAL (4)
TO GROUND BOLT

DETAIL CA

BUTT SPLICE (2)
TO CB PREP
DETAIL AA

6 PIN HOUSING
TO LEFT MIRROR

GROMMET
23942-02-000

TO SUNVISOR SHADE
3 BUTT SPLICES
HHM-RED
HHN-BLK
KE-BRN

NIGHT SHADE

TO GROUND STUD

2 PIN HOUSING
CONNECTS TO WIRE ASM-
CLEARANCE FRONT

2 PIN HOUSING
TO SIDEWALL

TAPE (2)
(400MM)

READ-4
2

RECEPTACLE-12V
111414-01-000

6 PIN HOUSING
TO RIGHT MIRROR

USB-CHARGER DUAL,DC
188312-01-000

SWITCH-MAP LIGHT
174757-20-CHT
PANEL-SWITCH
174834-01-CHT

4 PIN HOUSING
TO WIRE ASM-
SIDEWALL,FRONT

WIRE ASM-IP, MAIN

LABEL-CB PREP
OPTION
104678-01-000

CB POWER PROVISION
YELLOW +12V
WHITE GROUND
COAX ANTENNA
(SEE REVERSE SIDE ALSO)

TO CUSTOMERS
CB RADIO WIRING
WHT YEL

DETAIL AA 579

- 36N FANS-DEFROSTER, AUXILIARY
- 45D LOFT BED - WITHOUT
- 45B LOFT BED
- 579 RADIO - CB WIRE PREP
- 265 CODES/STANDARDS-CSA/CMVSS
- 1B1 CODES/STANDARDS USA



DSNR:		ALL DIMENSIONS ARE IN MILLIMETERS	
DFFR:		MATERIAL:	
UNSPECIFIED TOLERANCES:	WHOLE DIM (X)	:	3
	ONE-PLACE (X.X)	:	1.5
	TWO-PLACE (X.XX)	:	0.50
	ANGLE	:	1°
REFER TO ES0018 FOR FASTENER TIGHTENING GUIDELINES		WEIGHT: (LBS)	FIRST USED:
			19 F-SER
DESCRIPTION: WIRING INSTL-FRONT END			
SHEET:	ITEM/PART NO.:	REV:	
1 OF 9	000155327 / 32630401000		
REF:		1 20-Jun-2019	

- 5 SEE SHEET 9 FOR ADDITIONAL INFORMATION ON LOFT BED.
 - 4 EDGE OF LABEL TO HANG JUST BELOW BOTTOM OF DASH.
 - 3 CUT VISOR WIRING TO 300MM BEFORE CONNECTING.
 - 2 USE TAPE 8363-03-000 TO SECURE WIRES IN A-POST.
- NOTES:
- WINNEBAGO WIRE ASSEMBLIES ARE SHOWN FOR CLARITY.

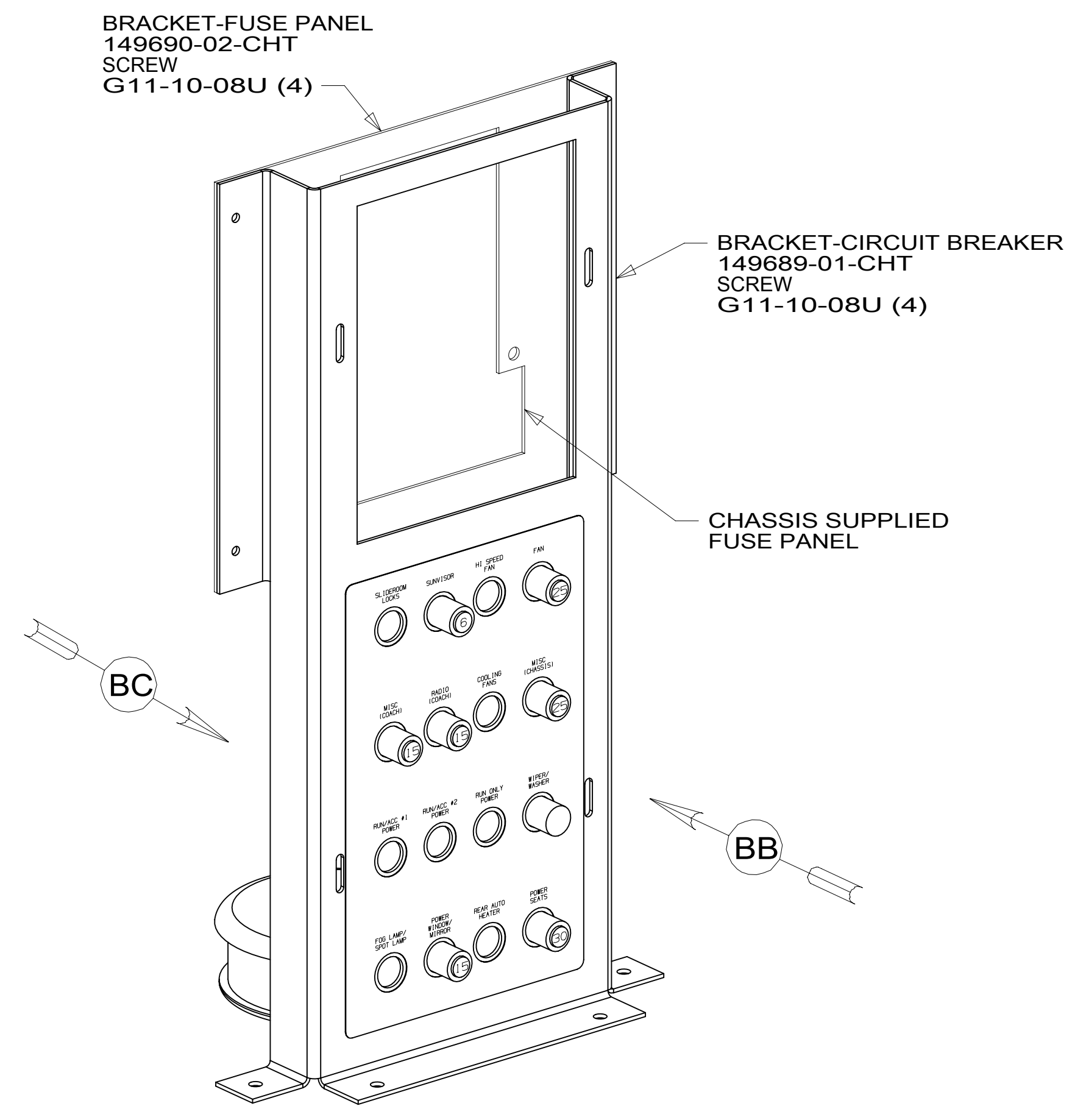
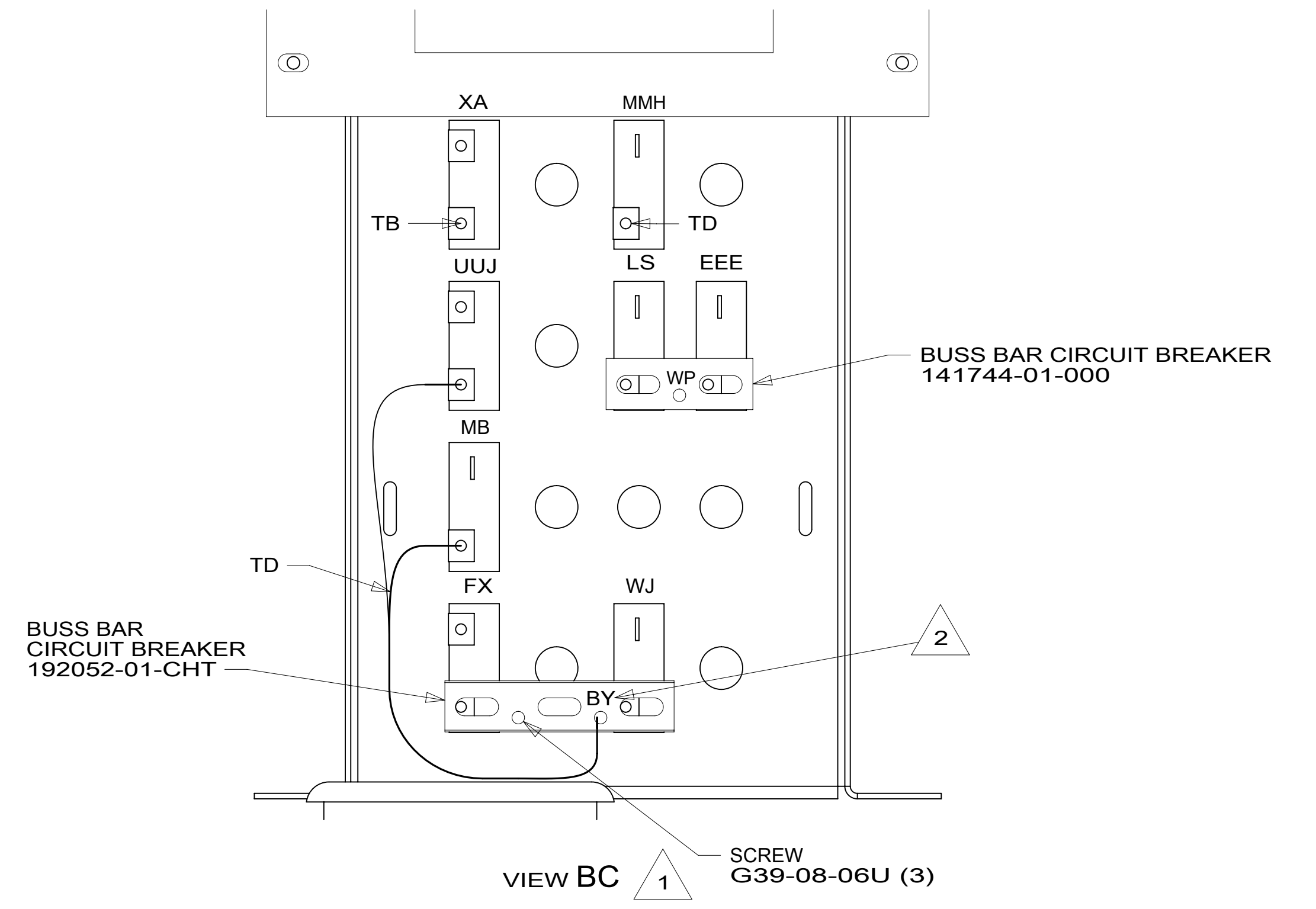
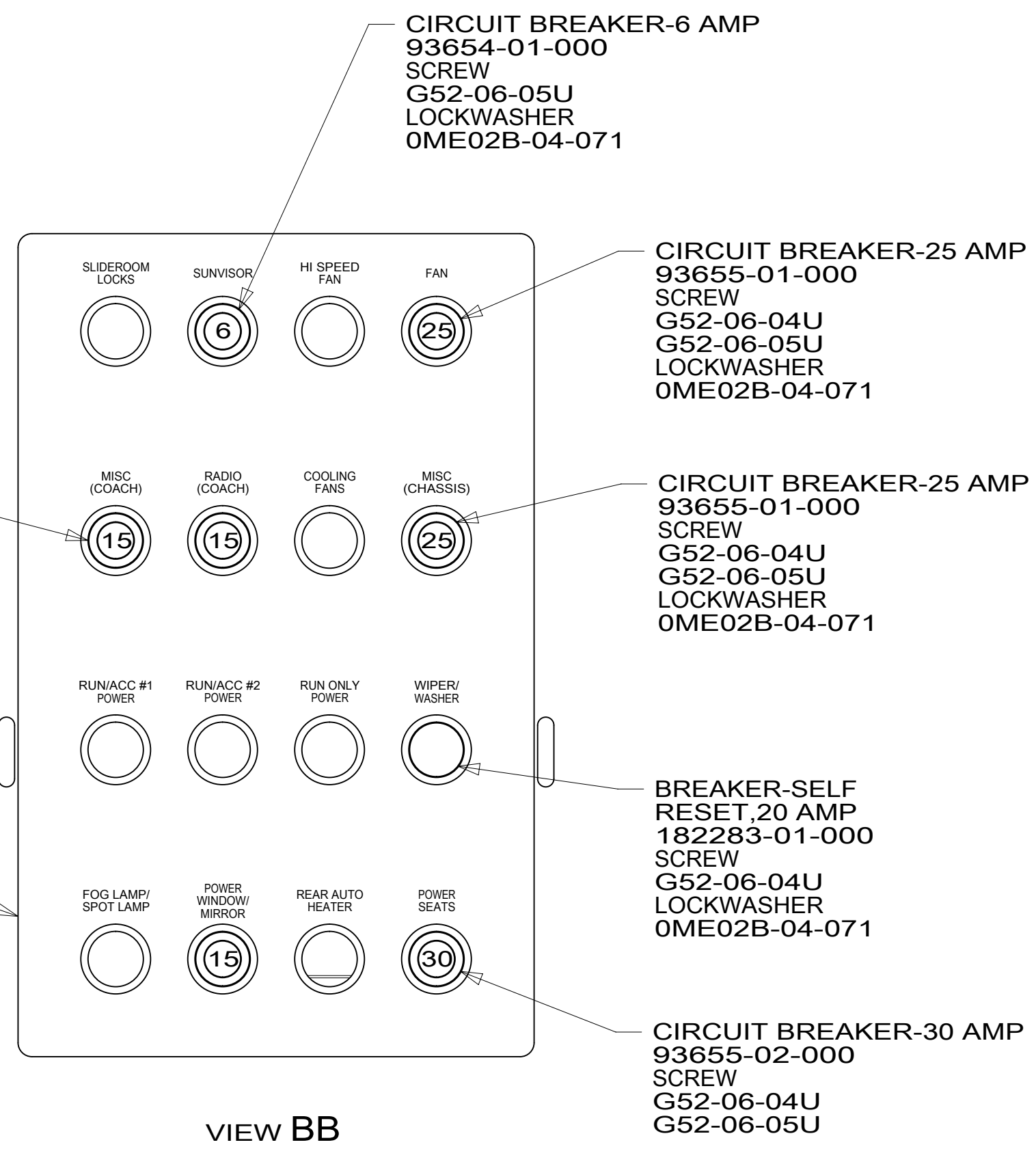
FOR ELECTRICAL TORQUE SPECIFICATIONS SEE DWG NO. 128783-01-000

FOR ELECTRICAL CALLOUTS SEE DWG NO. 121339-01-000

BREAKER PANEL
DETAIL BA

FEMALE TERMINALS
TO JACKS DOWN LAMP

8 7 6 5 4 3 2 1



2 CIRCUIT IS PART OF WIRE ASM-CHASSIS.
1 ALL CIRCUITS ARE IN WIRE ASM-IP, MAIN UNLESS OTHERWISE NOTED.

NOTES:

FOR ELECTRICAL TORQUE SPECIFICATIONS SEE DWG NO. 128783-01-000

FOR ELECTRICAL CALLOUTS SEE DWG NO. 121339-01-000

265 CODES/STANDARDS-CSA/CMVSS
1B1 CODES/STANDARDS USA

DESCRIPTION:	
1B1 265	
WIRING INSTL-FRONT END	
SHEET:	ITEM/PART NO:
2 OF 9	000155327 / 32630401000
REV	

8 7 6 5 4 3 2 1 20-Jun-2019

8 7 6 5 4 3 2 1

2 3 LIGHT ASM-INDICATOR,RED
190682-01-000
LABEL-JACKS DOWN
133533-01-CHT

RELAY
63912-02-000 (3)
SCREW
G11-08-08U (3)

DETAIL DA

PIN HSG
TO WIRE ASM-HEADLAMP

DETAIL DB

FORD DIAGNOSTIC CONNECTOR
NUT-SPEED
40921-03-000
SCREW
G11-10-10U (2)

1

DETAIL CA

- NOTES:
- 3 WIRING FROM LEVELING SYSTEM. SEE LEVELING SYSTEM INSTL FOR ADDITIONAL INFORMATION.
 - 2 CONNECT POSITIVE WIRE TO TERMINAL MARKED WITH "RED".
 - 1 CHASSIS SUPPLIED. REMOVE FROM TEMPORARY SHIPPING LOCATION AND MOUNT TO FRONT OF STEERING COLUMN COVER.

265 CODES/STANDARDS-CSA/CMVSS

1B1 CODES/STANDARDS USA

1B1 265

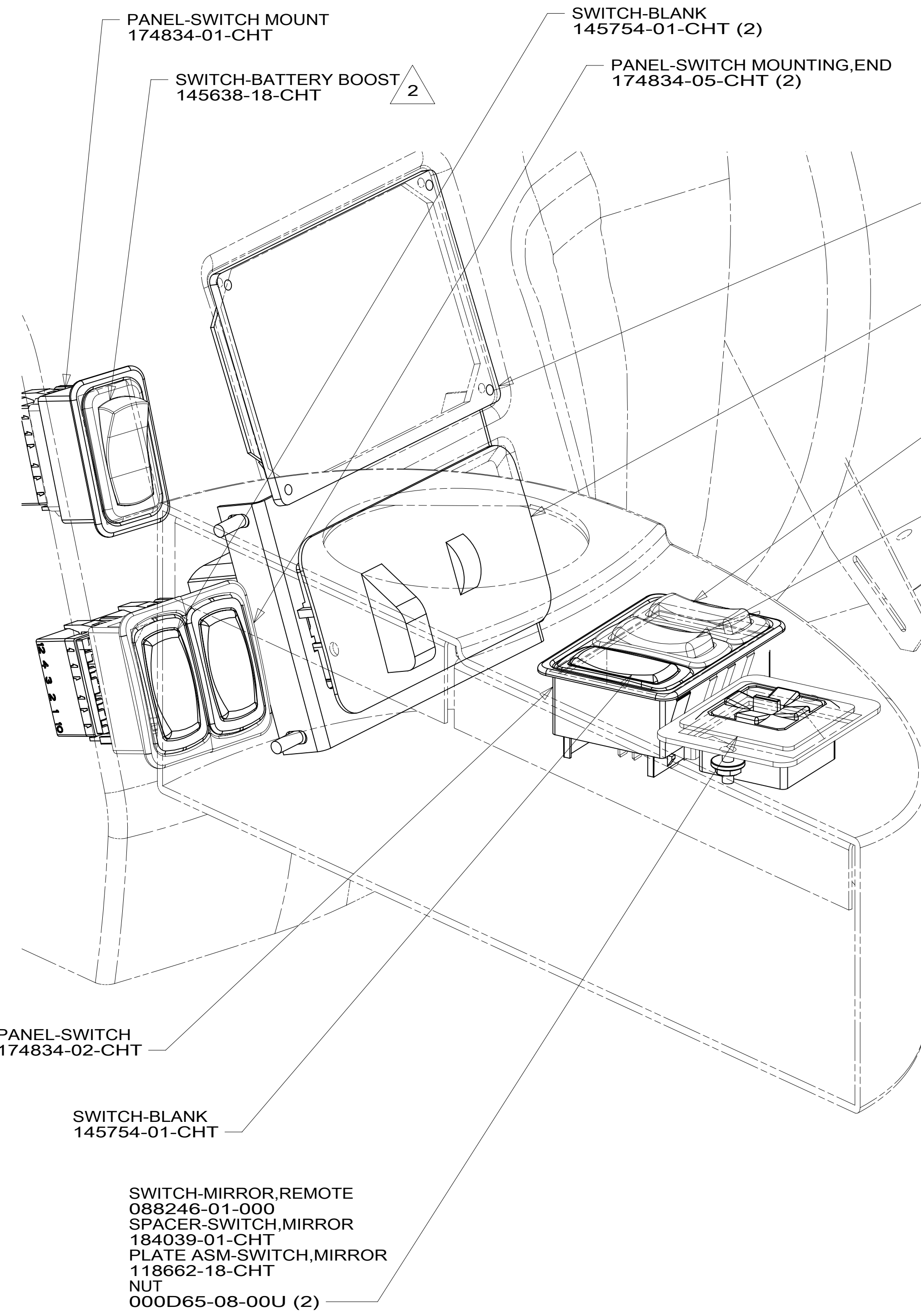
FOR ELECTRICAL
TORQUE
SPECIFICATIONS
SEE DWG NO.
128783-01-000

FOR
ELECTRICAL
CALLOUTS
SEE DWG NO.
121339-01-000

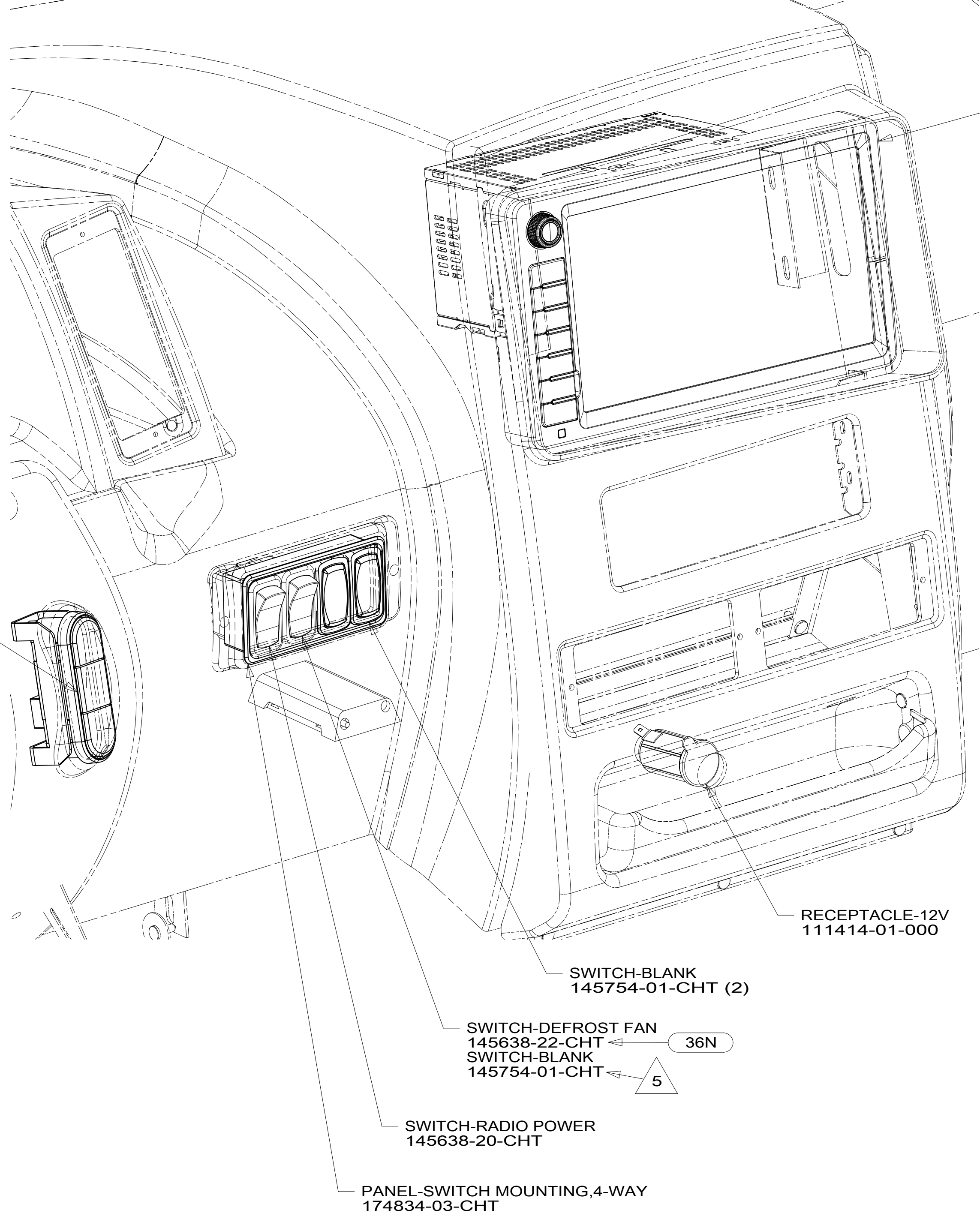
DESCRIPTION:
WIRING INSTL-FRONT END

SHEET: 3 OF 9 ITEM/PART NO: 000155327 / 32630401000 REV

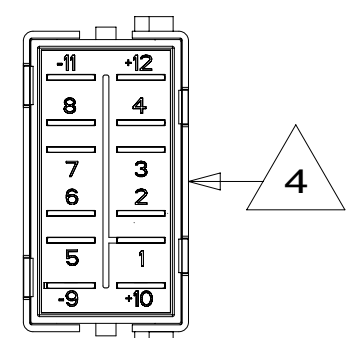
8 7 6 5 4 3 2 1 20-Jun-2019



DETAIL DA



DETAIL DB



DETAIL DC
(MOUNTED VERTICALLY)

- NOTES:
- 5 WITHOUT 36N
 - 4 WITH SWITCH INSTALLED THIS SIDE OF SWITCH WILL FACE LEFT SIDEWALL.
 - 3 DETAIL IS LOOKING AT SWITCH FROM THE BACK SIDE OF SWITCH AS ITS INSTALLED.
 - 2 SEE DETAIL DC FOR ORIENTATION.
 - 1 CHASSIS SUPPLIED.

FOR ELECTRICAL TORQUE SPECIFICATIONS SEE DWG NO. 128783-01-000

FOR ELECTRICAL CALLOUTS SEE DWG NO. 121339-01-000

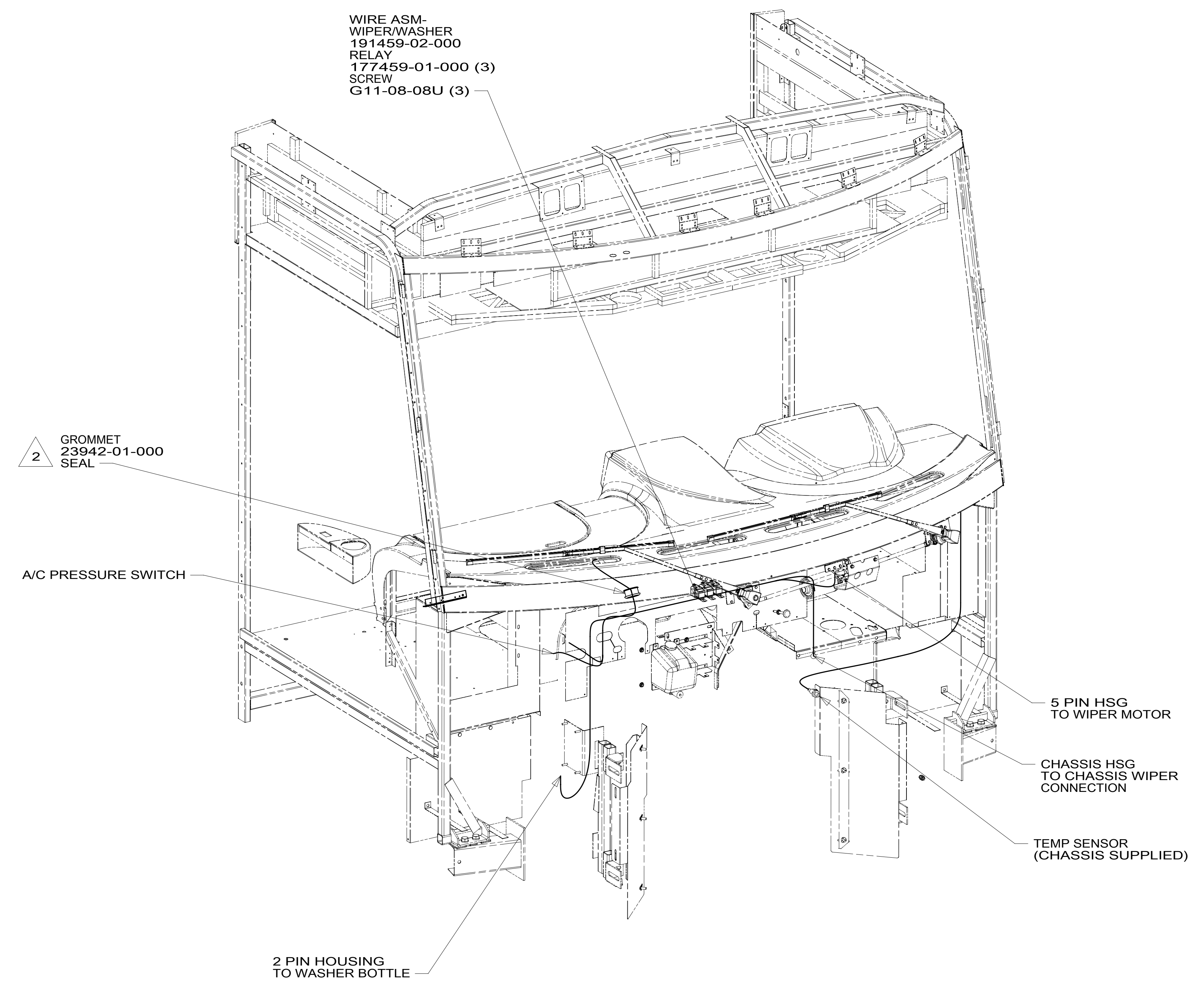
- 36N FANS-DEFROSTER, AUXILIARY
- 265 CODES/STANDARDS-CSA/CMVSS
- 1B1 CODES/STANDARDS USA

DESCRIPTION:	
WIRING INSTL-FRONT END	
SHEET:	ITEM/PART NO. REV
4 OF 9	000155327 / 32630401000

8 7 6 5 4 3 2 1

D
C
B
A

D
C
B
A



DETAIL EA

2 ROUTE WIRES THROUGH HOLE IN STEEL.

1. GATHER ALL EXCESS WIRE AFTER MAKING ALL CONNECTIONS. BUNDLE AND SECURE WITH WIRE TIE 8343-01-000 OR 93147-01-000.

NOTES:

265 CODES/STANDARDS-CSA/CMVSS

1B1 CODES/STANDARDS USA

1B1 265

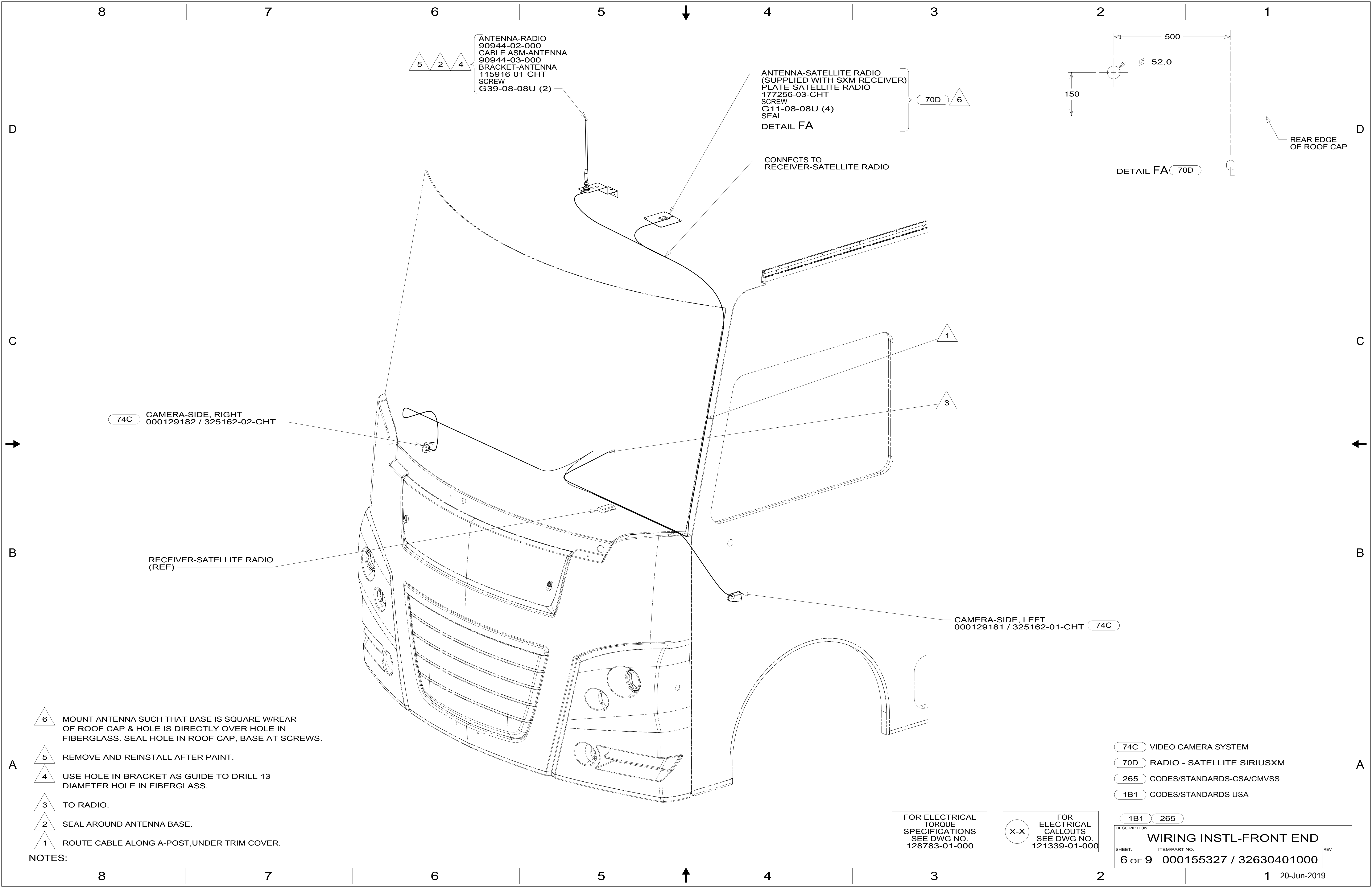
FOR ELECTRICAL TORQUE SPECIFICATIONS SEE DWG NO. 128783-01-000

FOR ELECTRICAL CALLOUTS SEE DWG NO. 121339-01-000

DESCRIPTION: WIRING INSTL-FRONT END

SHEET: 5 OF 9 ITEM/PART NO: 000155327 / 32630401000 REV

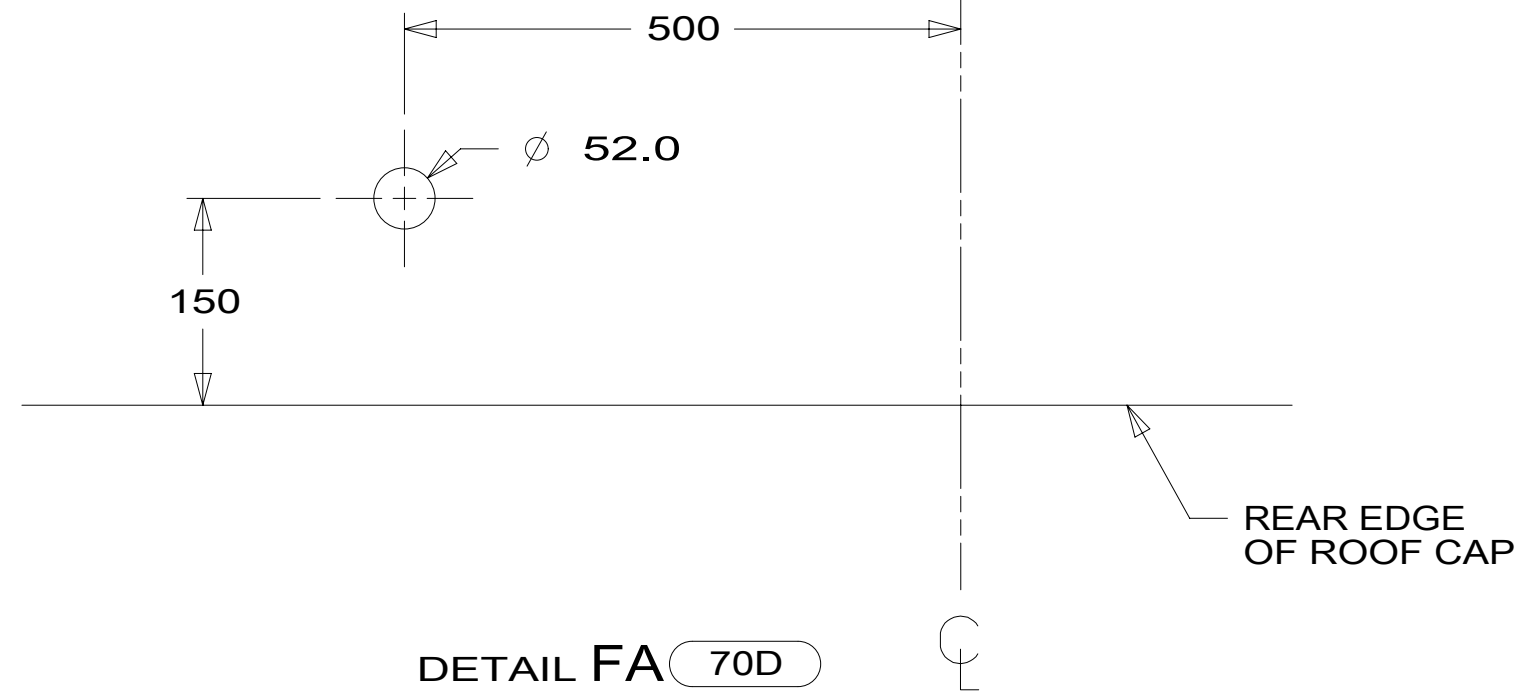
8 7 6 5 4 3 2 1 20-Jun-2019



ANTENNA-RADIO
 90944-02-000
 CABLE ASM-ANTENNA
 90944-03-000
 BRACKET-ANTENNA
 115916-01-CHT
 SCREW
 G39-08-08U (2)

ANTENNA-SATELLITE RADIO
 (SUPPLIED WITH SXM RECEIVER)
 PLATE-SATELLITE RADIO
 177256-03-CHT
 SCREW
 G11-08-08U (4)
 SEAL
 DETAIL FA

CONNECTS TO
 RECEIVER-SATELLITE RADIO



74C CAMERA-SIDE, RIGHT
 000129182 / 325162-02-CHT

RECEIVER-SATELLITE RADIO
 (REF)

CAMERA-SIDE, LEFT
 000129181 / 325162-01-CHT 74C

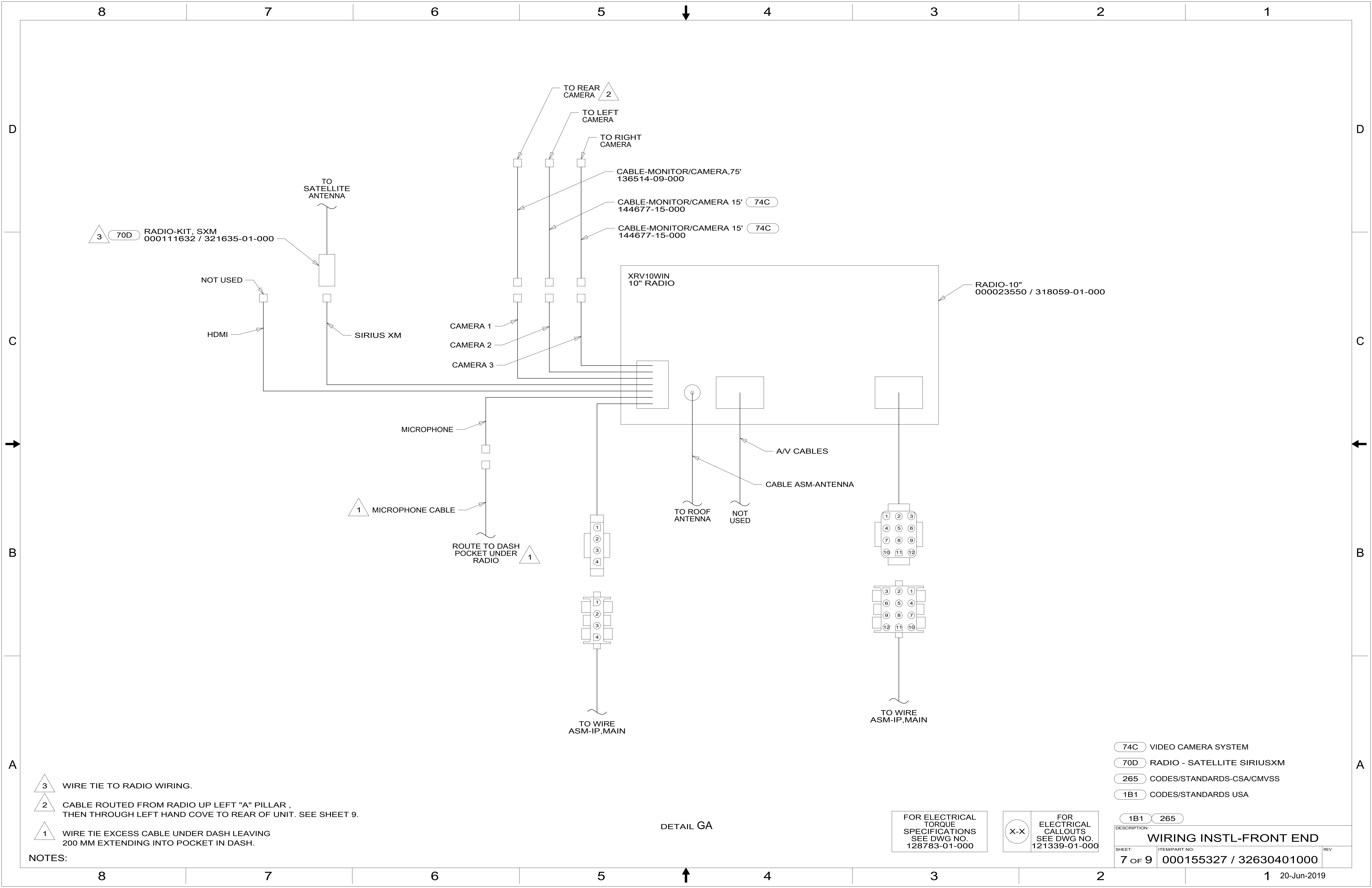
- NOTES:
- 6 MOUNT ANTENNA SUCH THAT BASE IS SQUARE W/REAR OF ROOF CAP & HOLE IS DIRECTLY OVER HOLE IN FIBERGLASS. SEAL HOLE IN ROOF CAP, BASE AT SCREWS.
 - 5 REMOVE AND REINSTALL AFTER PAINT.
 - 4 USE HOLE IN BRACKET AS GUIDE TO DRILL 13 DIAMETER HOLE IN FIBERGLASS.
 - 3 TO RADIO.
 - 2 SEAL AROUND ANTENNA BASE.
 - 1 ROUTE CABLE ALONG A-POST, UNDER TRIM COVER.

- 74C VIDEO CAMERA SYSTEM
- 70D RADIO - SATELLITE SIRIUSXM
- 265 CODES/STANDARDS-CSA/CMVSS
- 1B1 CODES/STANDARDS USA

FOR ELECTRICAL
 TORQUE
 SPECIFICATIONS
 SEE DWG NO.
 128783-01-000

FOR
 ELECTRICAL
 CALLOUTS
 SEE DWG NO.
 121339-01-000

DESCRIPTION:	1B1 265	
WIRING INSTL-FRONT END		
SHEET:	ITEM/PART NO:	REV
6 OF 9	000155327 / 32630401000	



3 70D RADIO-KIT, SXM
000111632 / 321635-01-000

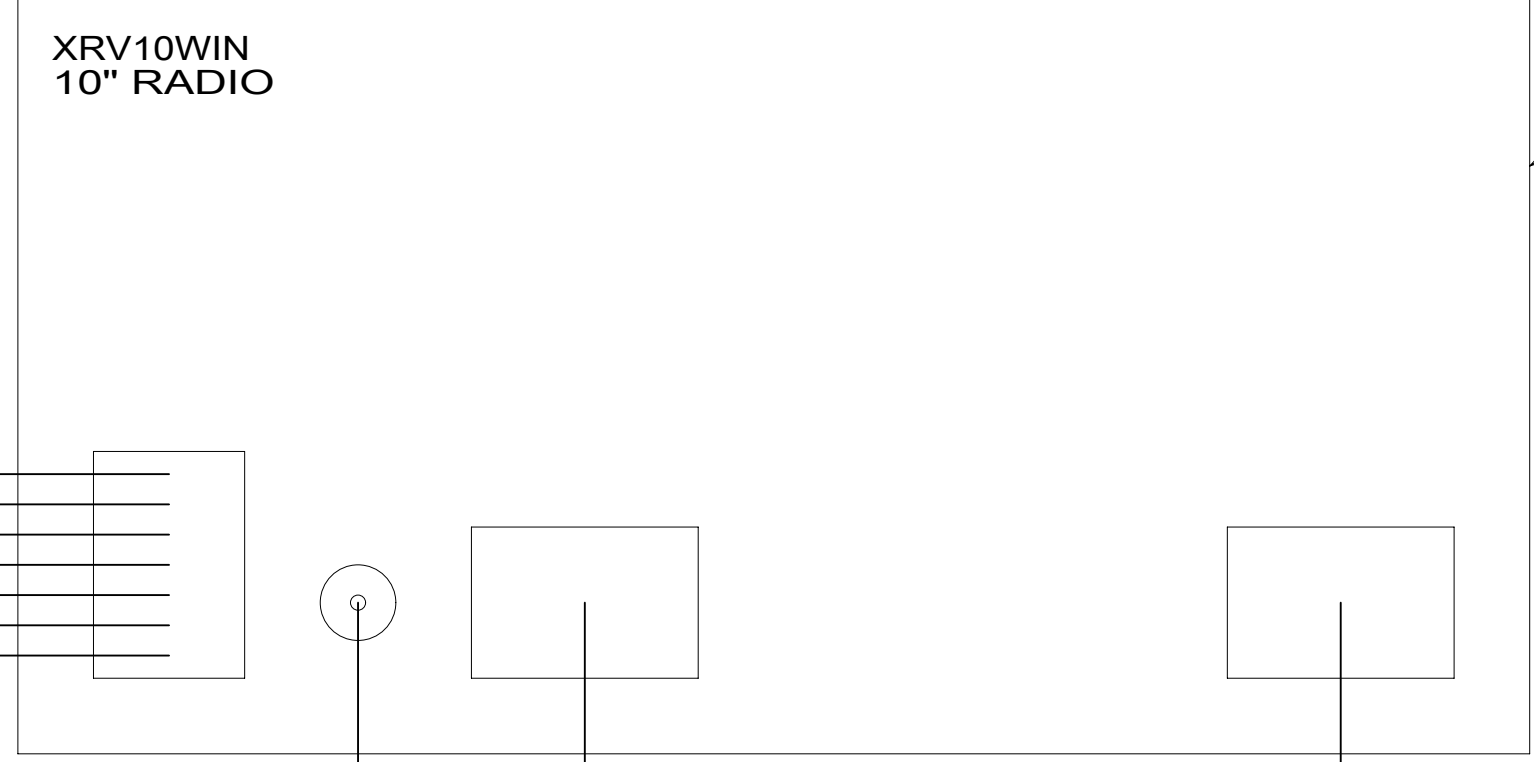
NOT USED
HDMI

TO SATELLITE ANTENNA
SIRIUS XM

CAMERA 1
CAMERA 2
CAMERA 3

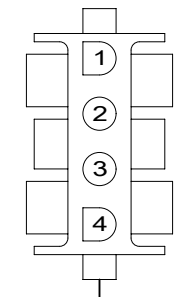
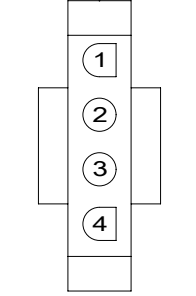
TO REAR CAMERA 2
TO LEFT CAMERA
TO RIGHT CAMERA

CABLE-MONITOR/CAMERA,75'
136514-09-000
CABLE-MONITOR/CAMERA 15' 74C
144677-15-000
CABLE-MONITOR/CAMERA 15' 74C
144677-15-000



RADIO-10"
000023550 / 318059-01-000

1 MICROPHONE CABLE
MICROPHONE
ROUTE TO DASH POCKET UNDER RADIO 1

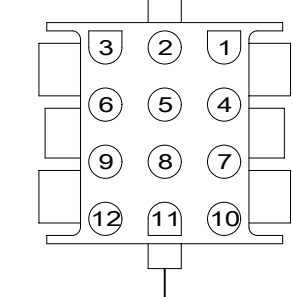
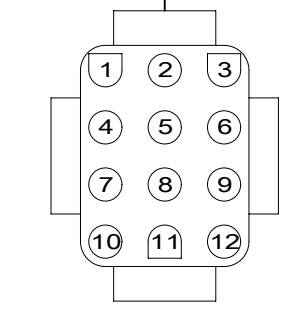


TO WIRE ASM-IP,MAIN

TO ROOF ANTENNA

NOT USED

AVV CABLES
CABLE ASM-ANTENNA



TO WIRE ASM-IP,MAIN

- NOTES:
- 3 WIRE TIE TO RADIO WIRING.
 - 2 CABLE ROUTED FROM RADIO UP LEFT "A" PILLAR , THEN THROUGH LEFT HAND COVE TO REAR OF UNIT. SEE SHEET 9.
 - 1 WIRE TIE EXCESS CABLE UNDER DASH LEAVING 200 MM EXTENDING INTO POCKET IN DASH.

DETAIL GA

FOR ELECTRICAL TORQUE SPECIFICATIONS SEE DWG NO. 128783-01-000

FOR ELECTRICAL CALLOUTS SEE DWG NO. 121339-01-000

- 74C VIDEO CAMERA SYSTEM
- 70D RADIO - SATELLITE SIRIUSXM
- 265 CODES/STANDARDS-CSA/CMVSS
- 1B1 CODES/STANDARDS USA

DESCRIPTION: WIRING INSTL-FRONT END		
SHEET: 7 OF 9	ITEM/PART NO: 000155327 / 32630401000	REV

8 7 6 5 4 3 2 1

D

D

C

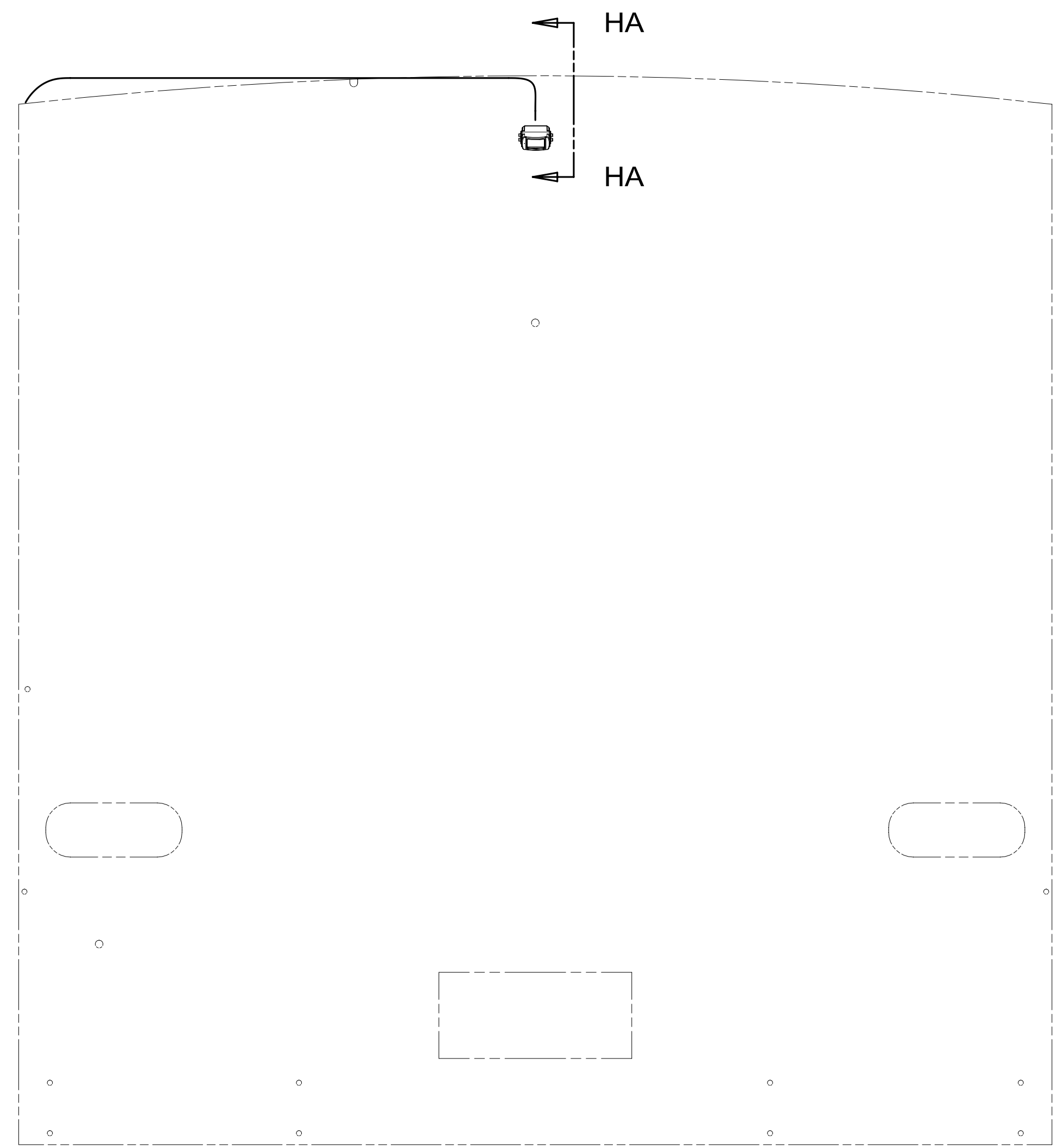
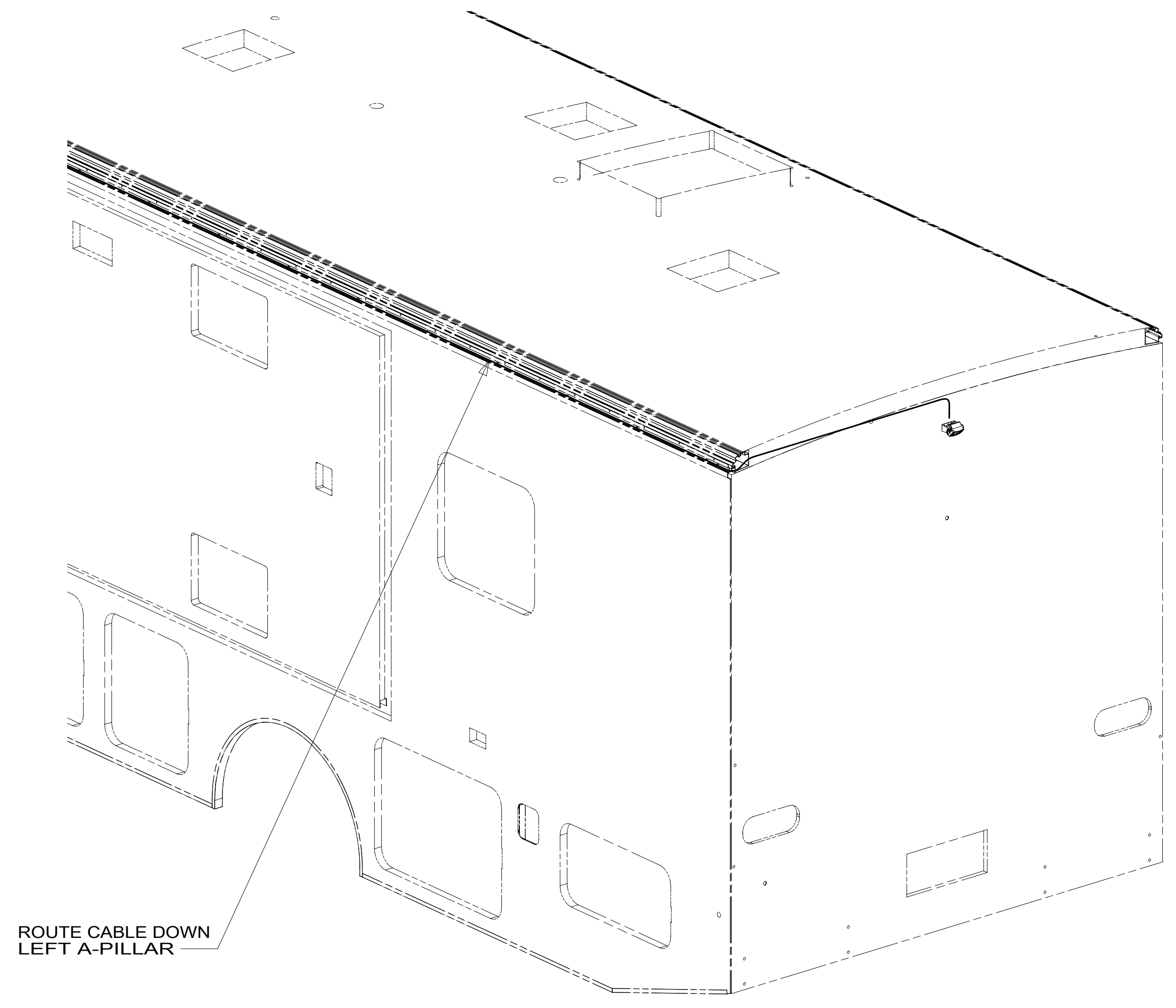
C

B

B

A

A



CAMERA-REAR,COLOR,W/BRACKET
000129667 / 325313-01-000

SCREW
G39-10-12U (4)

SECTION HA-HA

FOR ELECTRICAL
TORQUE
SPECIFICATIONS
SEE DWG NO.
128783-01-000

FOR
ELECTRICAL
CALLOUTS
SEE DWG NO.
121339-01-000

- 265 CODES/STANDARDS-CSA/CMVSS
- 1B1 CODES/STANDARDS USA

DESCRIPTION:	
WIRING INSTL-FRONT END	
SHEET:	ITEM/PART NO:
8 OF 9	000155327 / 32630401000
REV	

8 7 6 5 4 3 2 1

D
C
B
A

TIE-WIRE MOUNT
155366-01-000
TIE-WIRE
8343-01-000

CLAMP
10495-02-000 (4)
SCREW
G39-10-08U (4)

WIRE ASM-LOFT BED
000002921 / 310229-01-000

LIGHT-LED,ROUND W/SWITCH,3.5 PLASTIC
000166892 / 329927-01-CHT (2)
SCREW
G13-05-10U (6)
CONNECTOR
58028-01-000 (4)

RELAY
63912-02-000 (2)
SCREW
G11-08-08U (2)

LIGHT-LED,ROUND 4.5 PLASTIC
000166889 / 329926-01-CHT (2)
SCREW
G13-05-10U (6)
CONNECTOR
58028-01-000 (4)

DETAIL KA 45B

WIRE ASM-MONITOR
(REF)

WIRE ASM-MONITOR
(REF)

- NOTES:
- 2 RUN CABLE THRU LEFT-HAND COVE TO REAR OF UNIT. SEE SHEET 9.
 - 1 CONNECT CAMERA THRU HOLE IN SIDEWALL, PUSH CONNECTOR BACK THRU SIDEWALL, AND SEAL HOLE.

FOR ELECTRICAL
TORQUE
SPECIFICATIONS
SEE DWG NO.
128783-01-000

FOR
ELECTRICAL
CALLOUTS
SEE DWG NO.
121339-01-000

- 45B LOFT BED
- 265 CODES/STANDARDS-CSA/CMVSS
- 1B1 CODES/STANDARDS USA

DESCRIPTION:	
WIRING INSTL-FRONT END	
SHEET:	ITEM/PART NO:
9 OF 9	000155327 / 32630401000
REV	

8 7 6 5 4 3 2 1 20-Jun-2019