

PLATE-WALL, DUAL COAX HORIZ 149557-09-CHT

CONNECTOR-F,90 RIGHT ANGLE 176986-01-000 (2)

SPLITTER-HDMI,1X4 12VOLT 000158182 / 327358-01-000 FASTENER-DUAL LOCK 085774-01-000 (50 MM)(2) 085774-02-000 (50 MM)(2)

PLATE-ELECTRICAL 000165116 / 329375-01-CHT SCREW G11-08-08U (4)

CONVERTER-HDMI/CAT6 (TRANSMITTER) 178304-02-000 1

SPLITTER-TV,3 WAY 086756-02-000

CABINET ASM-OVHD,DOOR (REF)

PLATE-WALL, POWER SUPPLY 179004-02-CHT

PANEL-COVER, BRACKET 194672-03-CHT SCREW G67-08-08U

WALL PLATE-BLANK,PLASTIC 192613-01-CHT

PANEL-COVER, BRACKET 194672-01-CHT SCREW G67-08-08U

PANEL-COVER, BRACKET 000122894 / 323485-01-CHT SCREW G67-08-08U 78Z

RCP-OVHD AV CAB (REF)

RECEIVER-DISH,WALLY 000100988 / 327103-01-000 95R

CAT6 TO CONVERTER

COAX (UNMARKED) ANTENNA PLATE TO SPLITTER

COAX (GRN) TO SPLITTER

COAX (BRN) TO SPLITTER

COAX (YEL) TO SPLITTER

12V AND COAX FROM ROOF

110V (PUR-2) FROM ROOF

HDMI (UNMARKED) (HDMI SPLITTER) TO CONVERTER

HDMI (UNMARKED) FOR SATELLITE RECEIVER

HDMI (ORG-3) TO WIRE ASM-ROOF

HDMI (ORG-2) TO WIRE ASM-ROOF

COAX (ORG) TO SATELLITE PREP PLATE

COAX (BLU) TO ANTENNA PLATE

COAX (GLD) TO SATELLITE PREP PLATE

COAX (RED) TO ANTENNA PLATE

12V TO HDMI SPLITTER

VIEW AA

- 78Z SATELLITE SYSTEM - WITHOUT
- 95R SATELLITE TV ANTENNA - AUTOM
- 265 CODES/STANDARDS-CSA/CMVSS
- 1B1 CODES/STANDARDS USA

1B1 265



DSNR:		ALL DIMENSIONS ARE IN MILLIMETERS	
DIFFR:		MATERIAL:	
UNSPECIFIED TOLERANCES:		WEIGHT: (LBS)	FIRST USED:
WHOLE DIM (X)	: 3		19 F33C
ONE-PLACE (X.X)	: 1.5		
TWO-PLACE (X.XX)	: 0.50		
ANGLE	: 1°		
REFER TO ES0018 FOR FASTENER TIGHTENING GUIDELINES			
DESCRIPTION: WIRING INSTL-TV/DVD			
SHEET: 1 OF 5	ITEM/PART NO: 000155325 / 32630201000	REV:	

1 ATTACH TO STICK WORK USING BRACKETS AND SCREWS THAT COME WITH CONVERTER.

FOR ELECTRICAL TORQUE SPECIFICATIONS SEE DWG NO. 128783-01-000

X-X FOR ELECTRICAL CALLOUTS SEE DWG NO. 121339-01-000

NOTES:

8 7 6 5 4 3 2 1



D

D

C

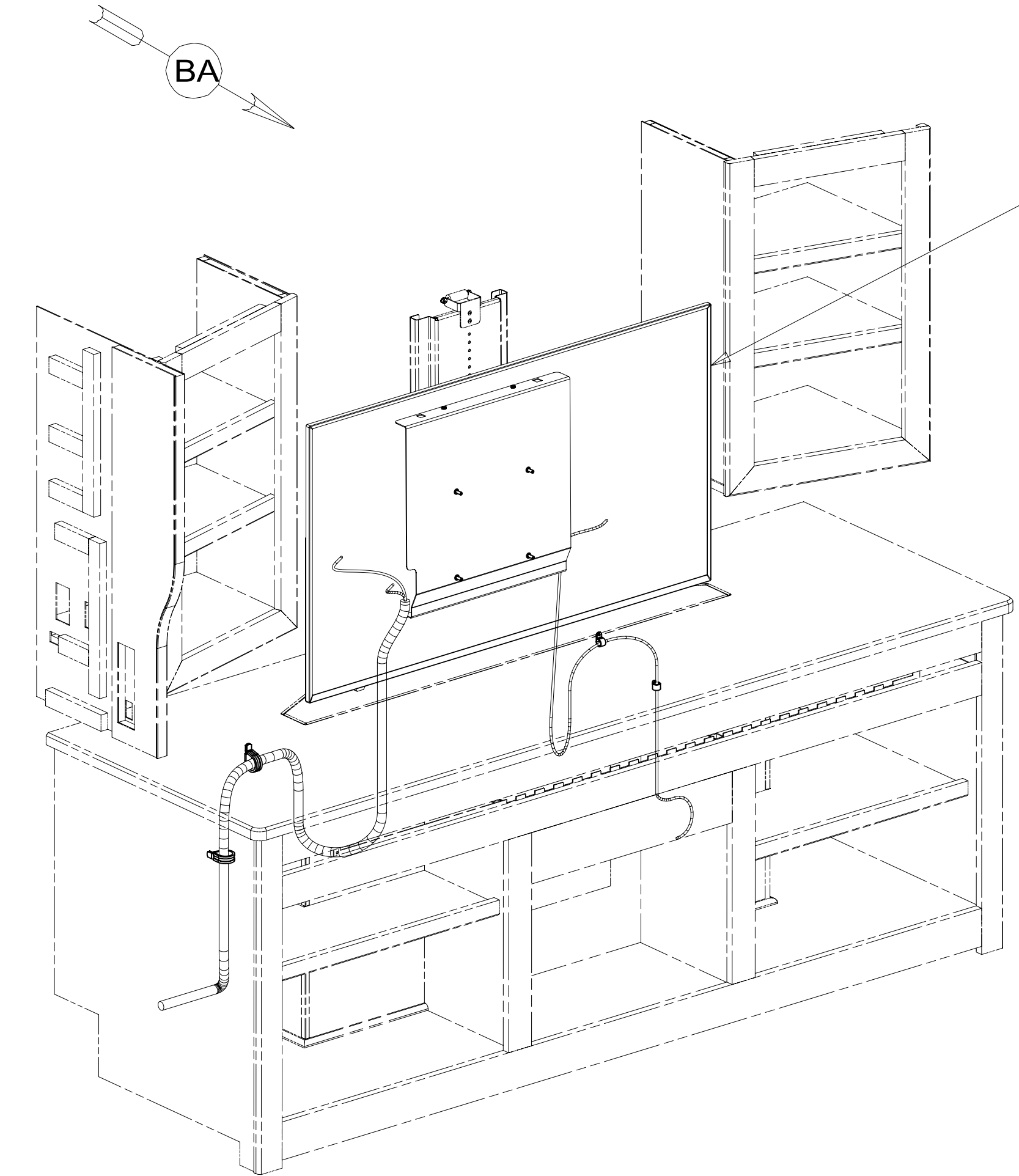
C

B

B

A

A



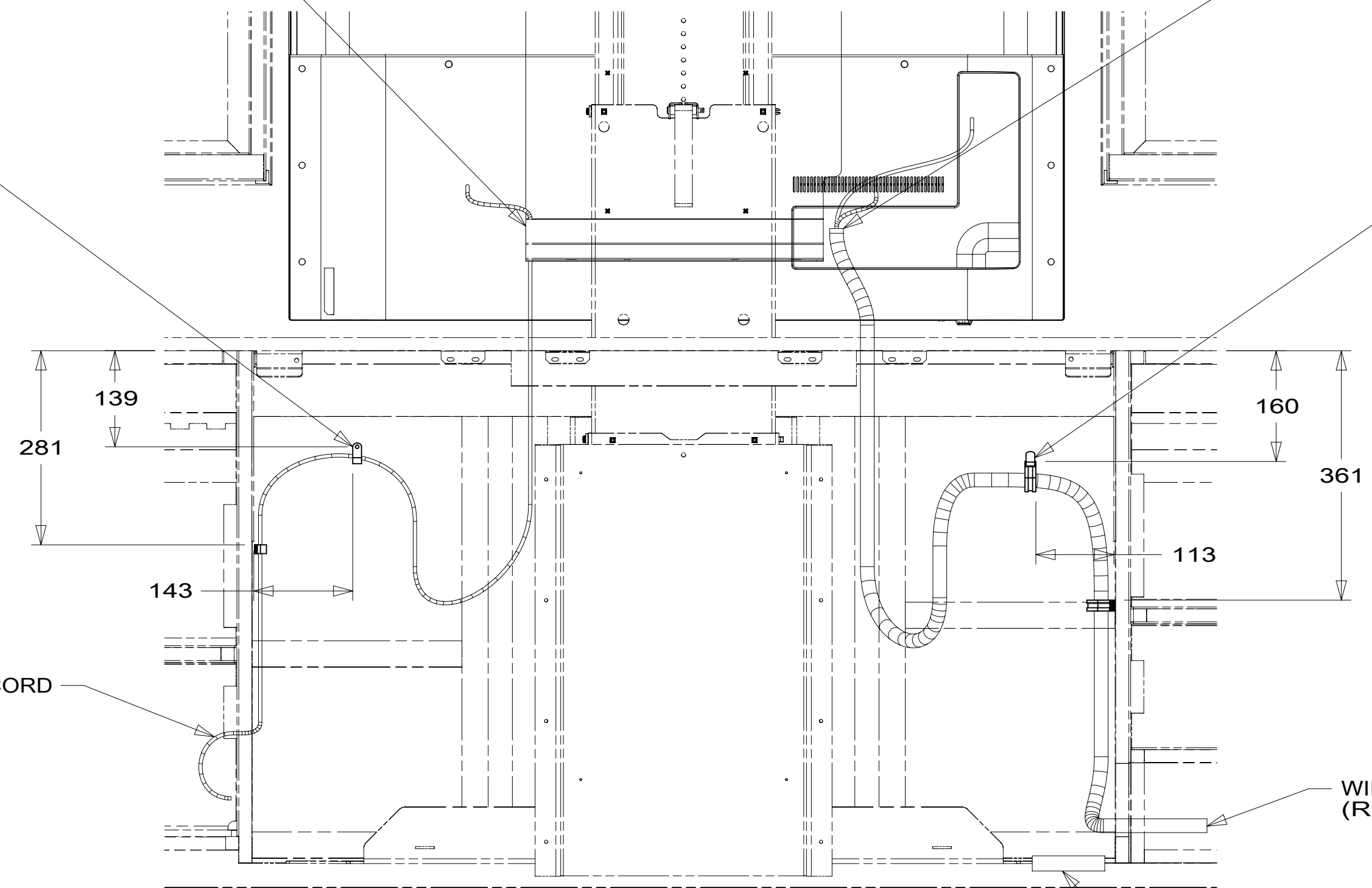
TV-50, HDTV, INSIGNIA  
 000167658 / 330158-01-000  
 SCREW  
 (TV TO PLATE)  
 (SUPPLIED W/TV)  
 0MG02U-06-016 (4)  
 BRACKET-MOUNTING,TV  
 000167695 / 330171-01-CHT  
 SCREW  
 G39-10-12U (2)  
 (PLATE TO  
 TV BRACKET)

WIRE TIE IS TO BE ROUTED  
 THROUGH HOLE IN LOWER  
 BRACKET AS SHOWN TO PROPERLY  
 SUPPORT CABLE ASM (2) PLACES

CLAMP-CABLE  
 10495-01-000 (2)  
 SCREW  
 G11-08-16U (2)

TIE-WIRE  
 8343-04-000 (2)

CLAMP-CLOSED  
 10497-02-000 (2)  
 SCREW  
 G11-08-16U (2)



VIEW BA

265 CODES/STANDARDS-CSA/CMVSS

1B1 CODES/STANDARDS USA

1B1 265

FOR ELECTRICAL  
 TORQUE  
 SPECIFICATIONS  
 SEE DWG NO.  
 128783-01-000

FOR  
 ELECTRICAL  
 CALLOUTS  
 SEE DWG NO.  
 121339-01-000

DESCRIPTION:  
**WIRING INSTL-TV/DVD**

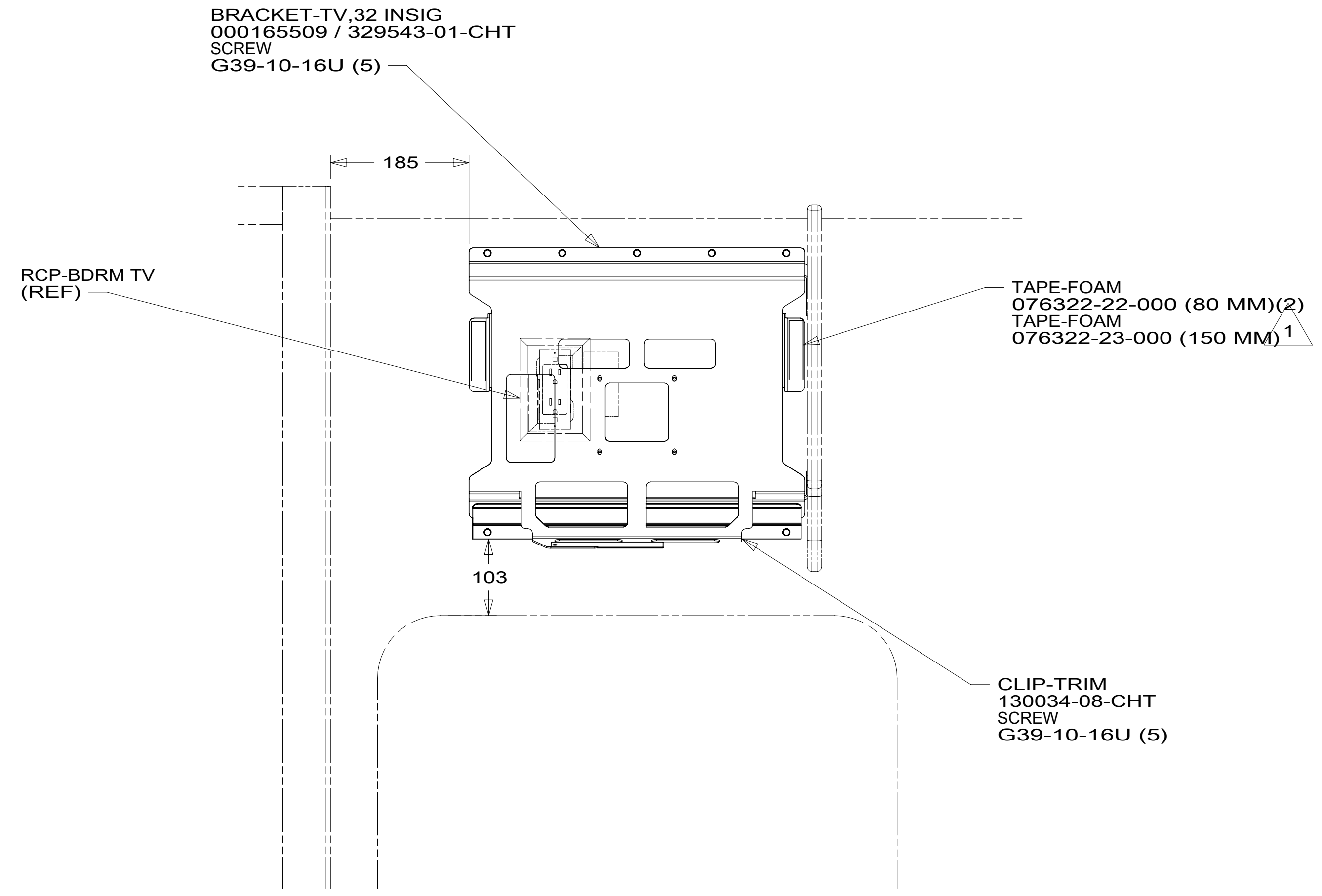
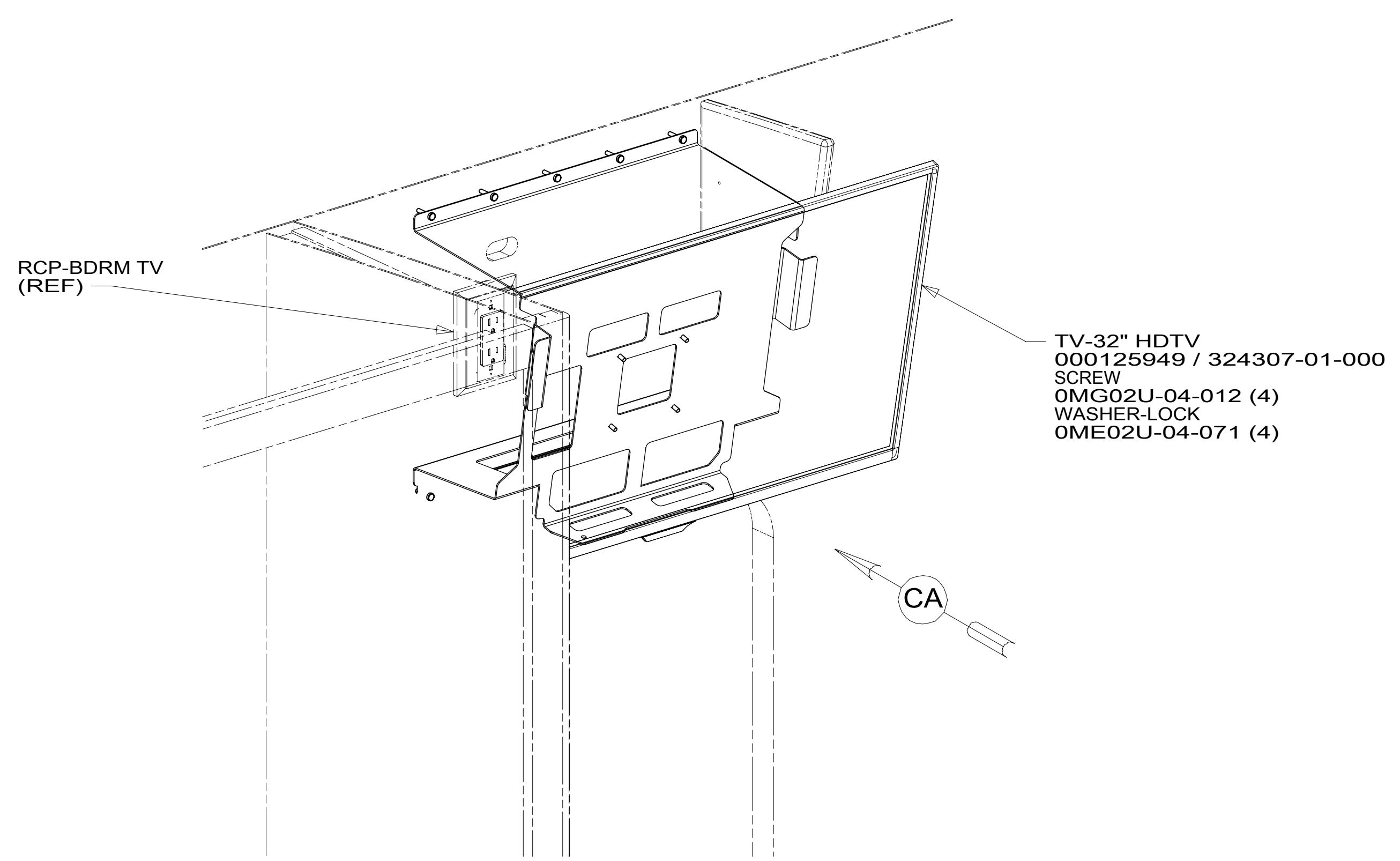
SHEET: 2 OF 5 ITEM/PART NO: 000155325 / 32630201000 REV

8 7 6 5 4 3 2 1 24-Jan-2019

8 7 6 5 4 3 2 1

D  
C  
B  
A

D  
C  
B  
A



VIEW CA  
(TV NOT SHOWN)

NOTES:  
1 PREP SURFACE WITH 87211-01-000.

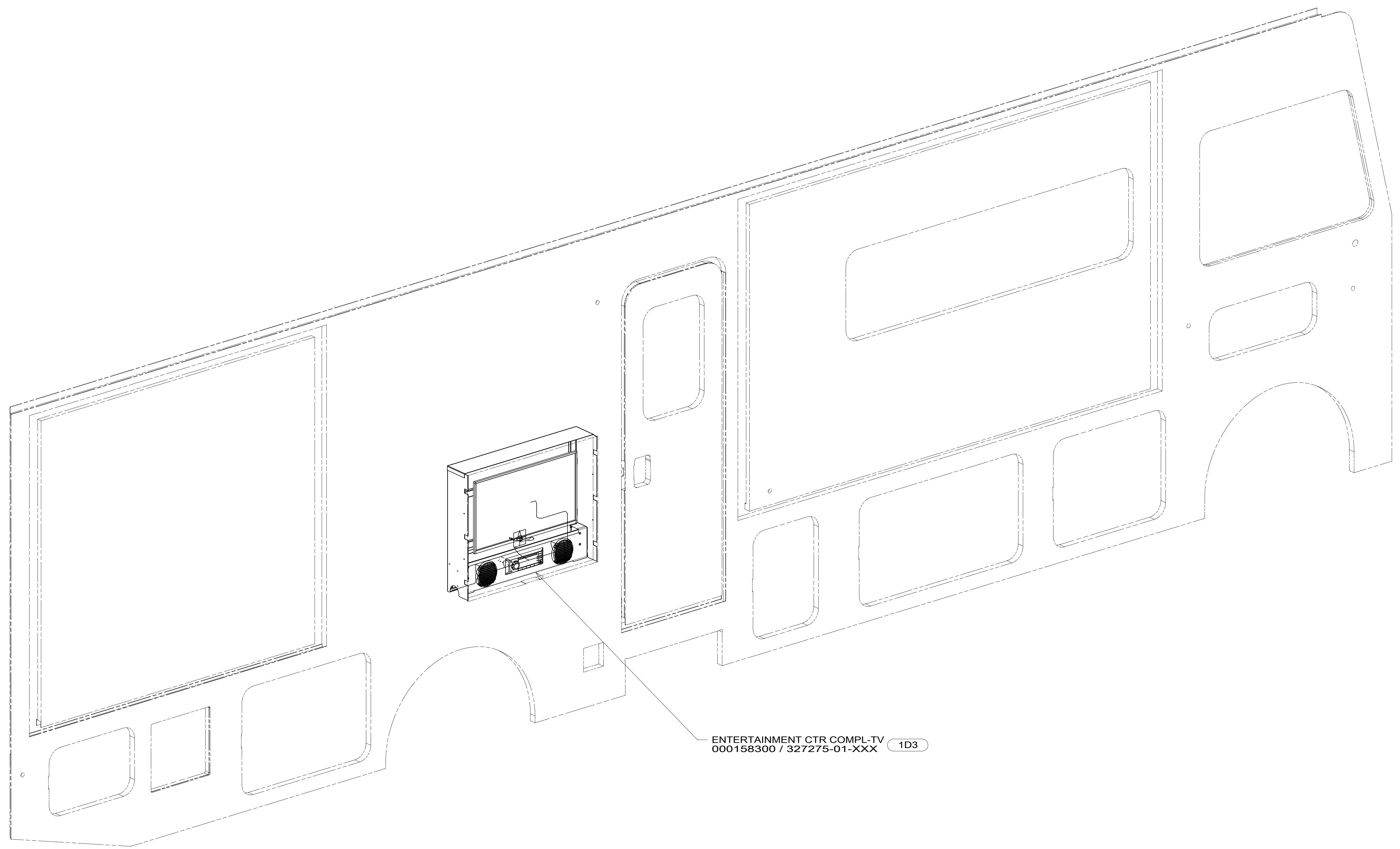
FOR ELECTRICAL TORQUE SPECIFICATIONS SEE DWG NO. 128783-01-000

FOR ELECTRICAL CALLOUTS SEE DWG NO. 121339-01-000

265 CODES/STANDARDS-CSA/CMVSS  
1B1 CODES/STANDARDS USA

DESCRIPTION: <b>WIRING INSTL-TV/DVD</b>	
SHEET: 3 OF 5	ITEM/PART NO.: 000155325 / 32630201000
REV 1 24-Jan-2019	

8 7 6 5 4 3 2 1



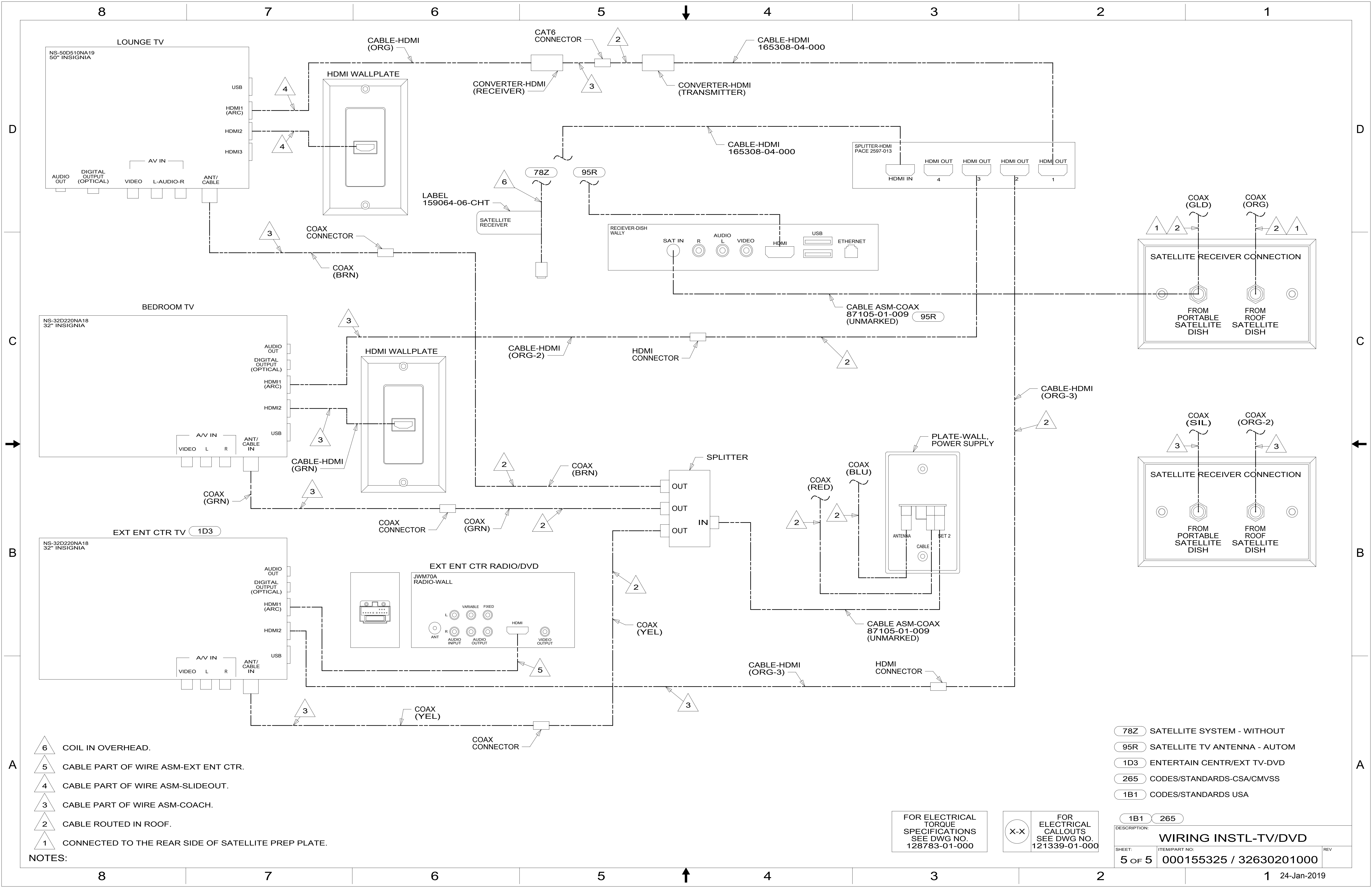
ENTERTAINMENT CTR COMPL-TV  
000158300 / 327275-01-XXX 1D3

- 1D3 ENTERTAIN CENTR/EXT TV-DVD
- 265 CODES/STANDARDS-CSA/CMVSS
- 1B1 CODES/STANDARDS USA

FOR ELECTRICAL  
TORQUE  
SPECIFICATIONS  
SEE DWG NO.  
128783-01-000

FOR  
ELECTRICAL  
CALLOUTS  
SEE DWG NO.  
121339-01-000

DESCRIPTION:		1B1 265
<b>WIRING INSTL-TV/DVD</b>		
SHEET:	ITEM/PART NO.:	REV
4 OF 5	000155325 / 32630201000	



- NOTES:
- 6 COIL IN OVERHEAD.
  - 5 CABLE PART OF WIRE ASM-EXT ENT CTR.
  - 4 CABLE PART OF WIRE ASM-SLIDEOUT.
  - 3 CABLE PART OF WIRE ASM-COACH.
  - 2 CABLE ROUTED IN ROOF.
  - 1 CONNECTED TO THE REAR SIDE OF SATELLITE PREP PLATE.

- 78Z SATELLITE SYSTEM - WITHOUT
- 95R SATELLITE TV ANTENNA - AUTOM
- 1D3 ENTERTAIN CENTR/EXT TV-DVD
- 265 CODES/STANDARDS-CSA/CMVSS
- 1B1 CODES/STANDARDS USA

FOR ELECTRICAL TORQUE SPECIFICATIONS SEE DWG NO. 128783-01-000

FOR ELECTRICAL CALLOUTS SEE DWG NO. 121339-01-000

DESCRIPTION:		<b>WIRING INSTL-TV/DVD</b>	
SHEET:	ITEM/PART NO.:	REV	
5 OF 5	000155325 / 32630201000		