

- 9. SEE DRAWING 061607 FOR INSTALLATION OF GROMMETS.
- 8. SECURE DRAINAGE PIPES TO CABINET USING WIRE TIE 108046-02-000, AND SCREW 000G67-10-12U AT INTERVALS OF NOT MORE THAN 4 FEET APART.
- 7. SECURE VENT PIPE TO FLOOR WITH CLAMP 000156237 / 326663-02-000 (2), SCREW 000G67-10-12U (2), BRACKET 136878-01-CHT (2).
- 6. VENT PIPE MUST PROJECT 51 MIN AND 64 MAX ABOVE ROOF FOR PROPER FIT AND FUNCTION. ADD S-1 (000156099 / 326607-01-CHT SEAL-VENT PIPE) AROUND PIPE ON ROOF BEFORE VENT CAP IS INSTALLED.
- 5. SEAL AROUND SHOWER WITH SILICONE.
- 4. USE SMOOTH PLUMBERS PUTTY 167459-01-000 TO SEAL STRAINER (0.2 PER STRAINER).
- 3. ALL PIPE AND FITTINGS TO BE ASSEMBLED WITH SOLVENT 004020-01-000 (USA), 004020-02-000 (CAN)
- 2. SLOPE OF TRAP ARM MUST BE 6 PER 305 mm.
- 1. SLOPE OF HORIZONTAL PIPING TO BE MINIMUM OF 3 PER 305 mm.

NOTES:

265 CODES/STANDARDS-CSA/CMVSS  
 1B1 CODES/STANDARDS USA

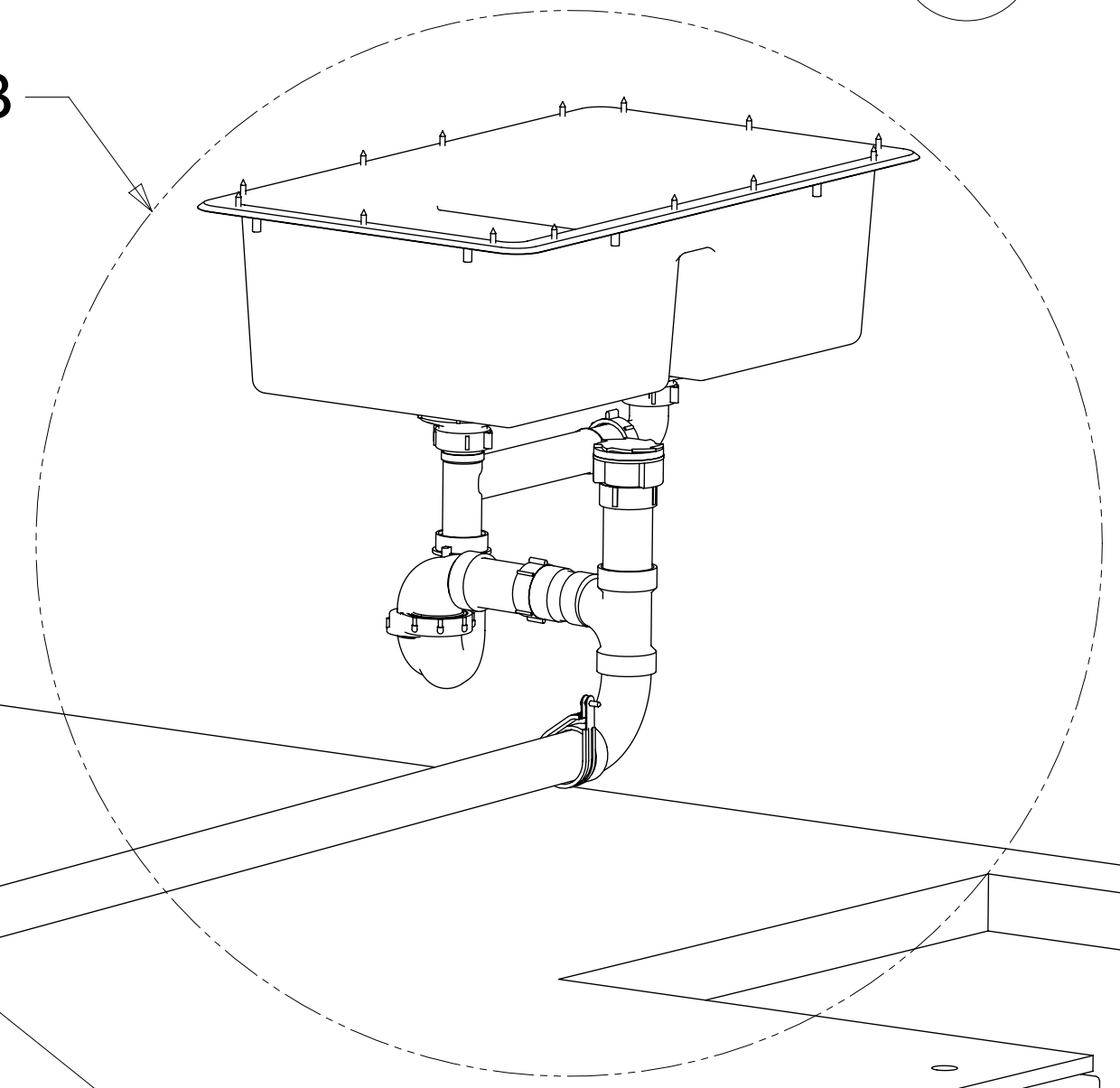
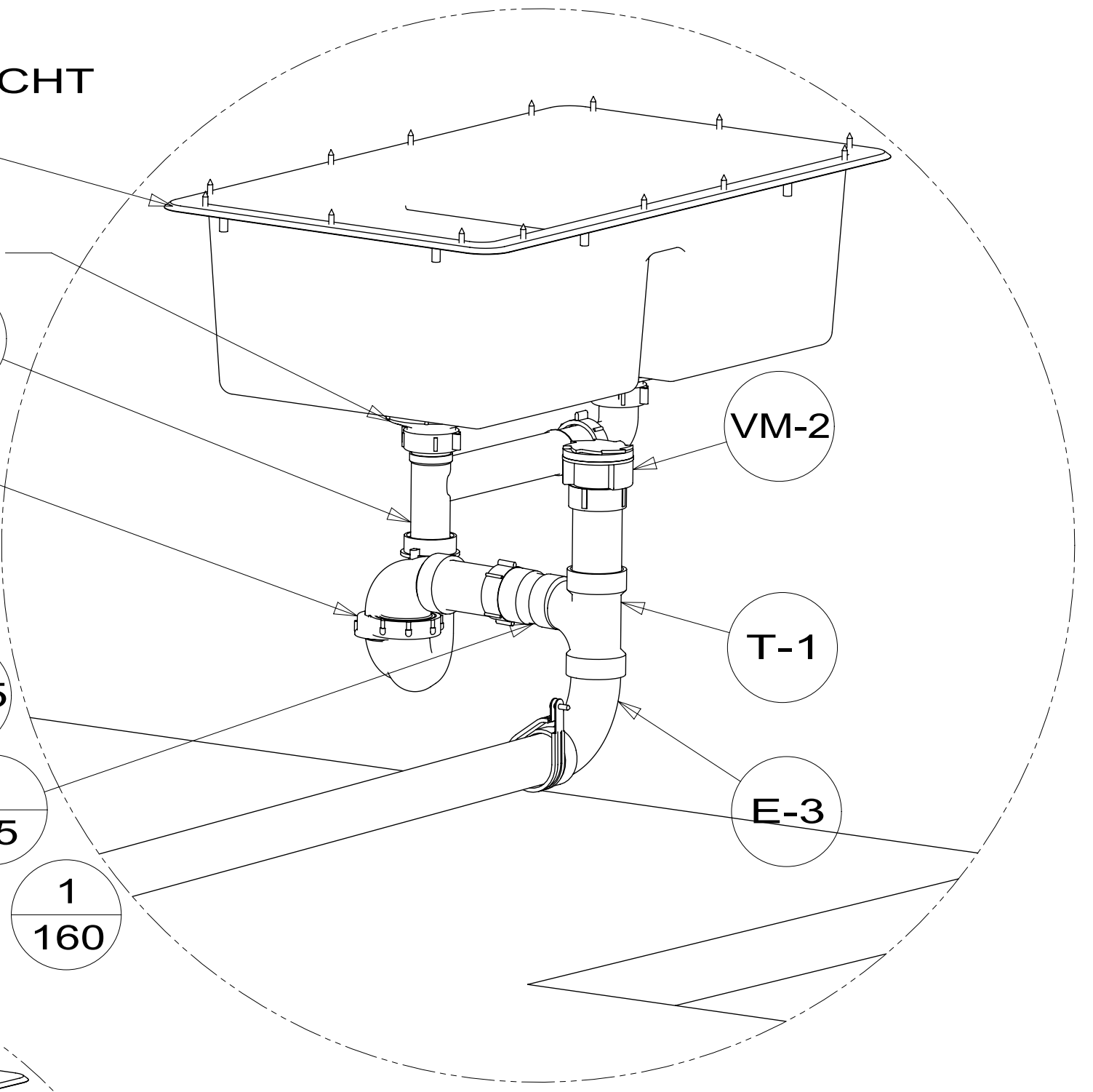


DSNR:		ALL DIMENSIONS ARE IN MILLIMETERS	
DIFFR:		MATERIAL:	
UNSPECIFIED TOLERANCES:			
WHOLE DIM (X)	3		
ONE-PLACE (X.X)	1.5		
TWO-PLACE (X.XX)	0.50		
ANGLE	1°		
REFER TO ES0018 FOR FASTENER TIGHTENING GUIDELINES		WEIGHT: (LBS)	FIRST USED: (REF)
DESCRIPTION:		19 931N	
<b>DRAINAGE SYSTEM INSTL</b>			
SHEET:	ITEM/PART NO:	REV	
1 OF 2	000128799 / 32506001000		

X-X  
 FOR DRAINAGE CALLOUTS  
 SEE DWG NO.  
 000211962 /  
 303370-01-000

SINK-GALLEY, DBL, 27X16  
 000124193 / 323832-01-CHT  
 SCREW  
 142261-02-CHT (14)

4 STRAINER-SINK  
 092303-01-000 (2)



DETAIL CB

DETAIL CB

1  
1900  
CLAMP  
083610-02-000 (2)  
SCREW  
000G67-10-12U (2)

DRAINAGE SYSTEM-REAR  
 000129389 / 325326-01-000

VIEW BA

DESCRIPTION: <b>DRAINAGE SYSTEM INSTL</b>		
SHEET: 2 OF 2	ITEM/PART NO: 000128799 / 32506001000	REV