

- 10 PROVIDE HOSE-WATER, 179279-01-000, WITH FEATURE 65Q
- 9. ALL CRIMP FITTINGS TO 3/4" PEX TUBING REQUIRE 3/4" CLAMP 000156247 / 326668-01-000.
- 8. ALL CRIMP FITTINGS TO 1/2" PEX TUBING REQUIRE 1/2" CLAMP 000156249 / 326670-01-000.
- 7. ALL CRIMP FITTINGS TO 5/8" FLEX TUBING REQUIRE 5/8" CLAMP 000156248 / 326669-01-000.
- △ 6 LABEL HOT AND COLD SUPPLY TUBES AND TAPE FITTING TO TUBE BEFORE CABINET SET TO PREVENT MOVEMENT.
- △ 5 ADD PIPE WRAP (LADDER SCRAP 110157-02-000) INSULATION.
- △ 4 ADD TEFLON TAPE 010405-01-000.
- 3. ALL TUBING TO BE SECURED AT 1200 INTERVALS MAXIMUM WITH CLAMP 010495-01-000 AND SCREW 000G67-10-12U OR EQUIVALENT.
- 2. TUBING TO BE INSTALLED WITH SUFFICIENT SLOPE TO PROVIDE DRAINAGE TO NEAREST VALVE.
- 1. PLASTIC FITTINGS TO BE SEALED WITH SEALANT 084456-01-000.

NOTES:

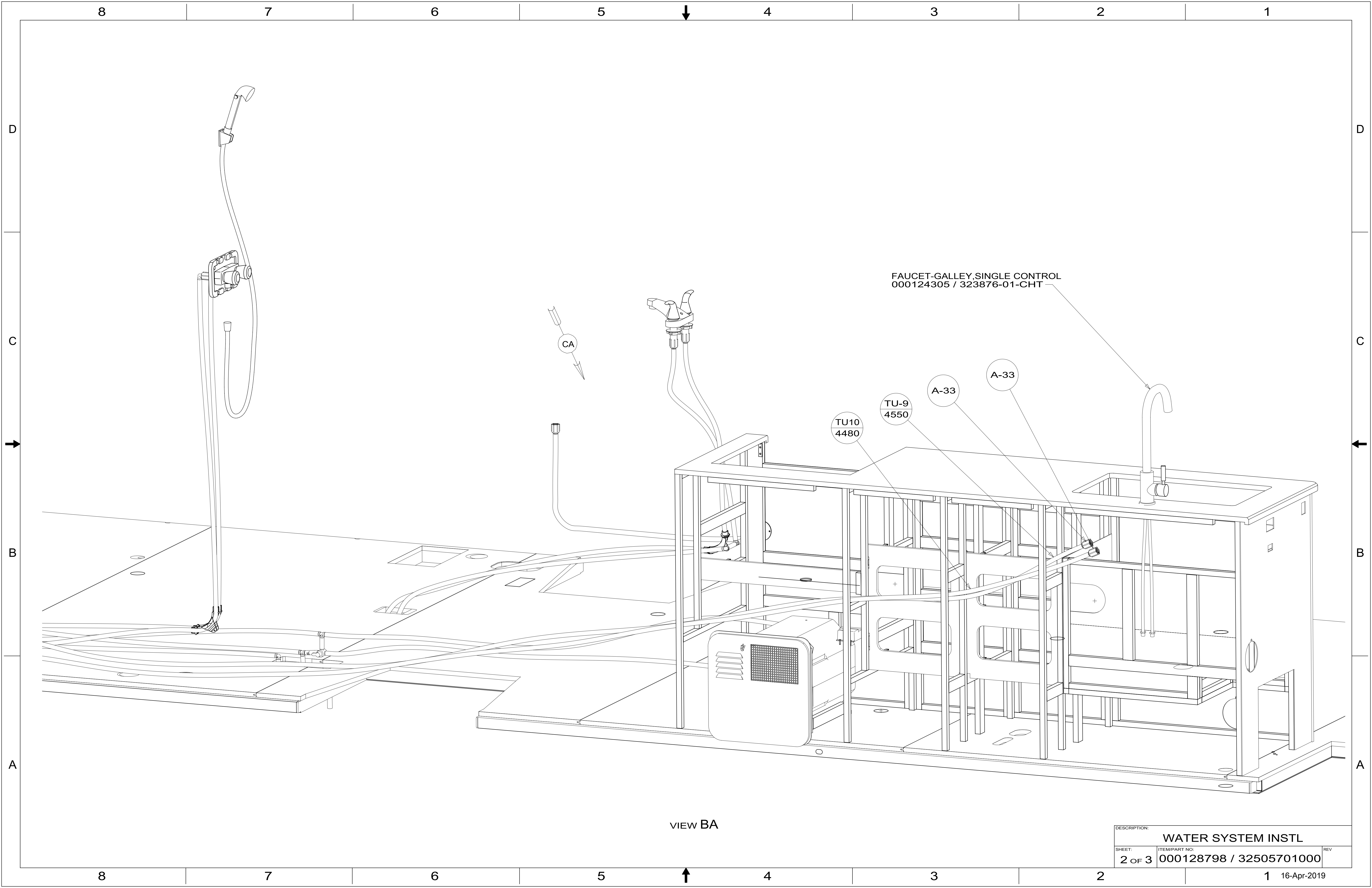
65Q RENTAL - APOLLO



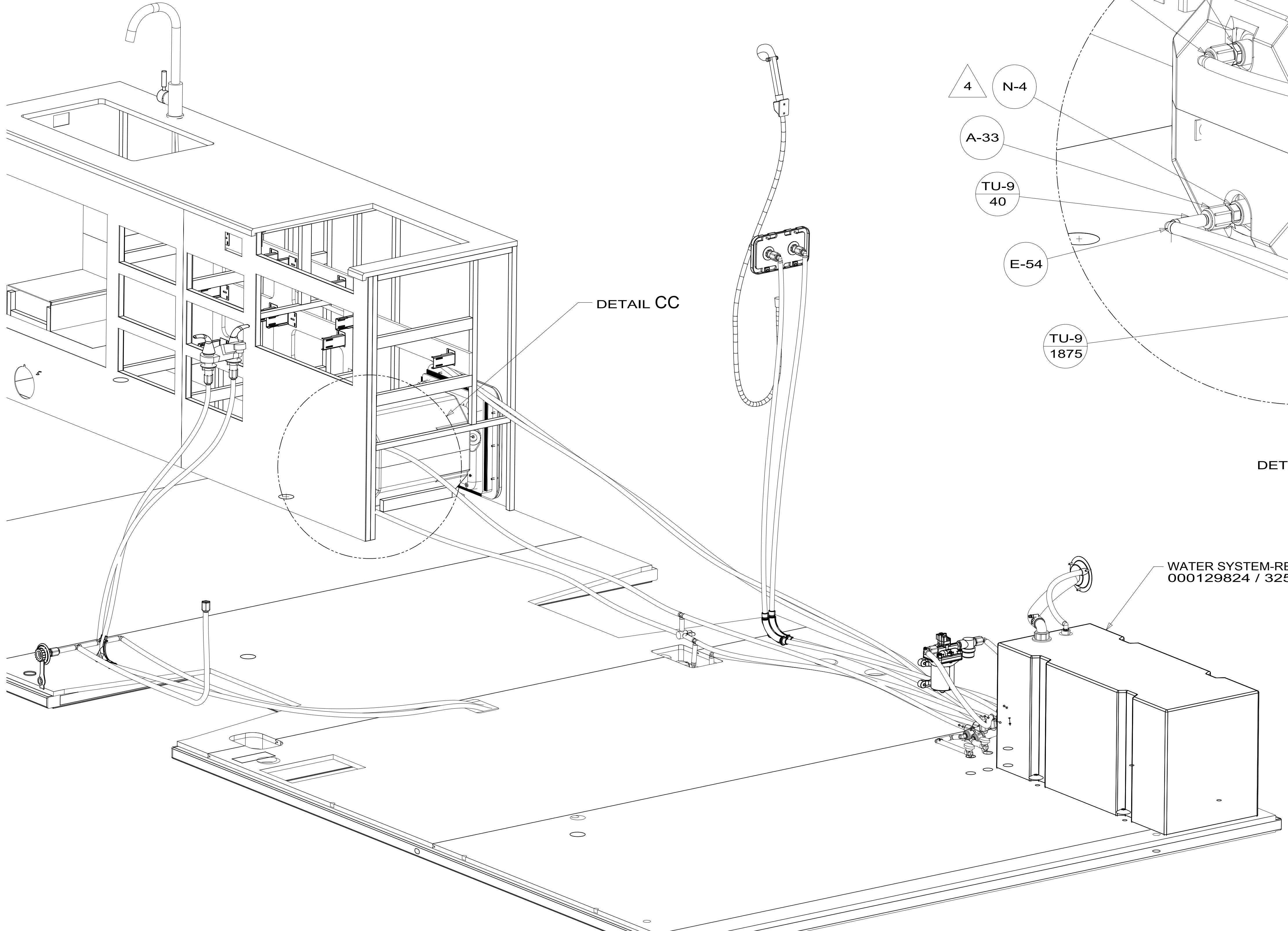
DSNR:		ALL DIMENSIONS ARE IN MILLIMETERS	
DIFTR:			
UNSPECIFIED TOLERANCES:	MATERIAL:		
WHOLE DIM (X) :	3		
ONE-PLACE (X.X) :	1.5		
TWO-PLACE (X.XX) :	0.50		
ANGLE :	1°		
REFER TO ES0018 FOR FASTENER TIGHTENING GUIDELINES	WEIGHT: (LBS)	FIRST USED: (REF)	
	-	19 931N	
DESCRIPTION:			
WATER SYSTEM INSTL			
SHEET:	ITEM/PART NO.:	REV	
1 OF 3	000128798 / 32505701000		
REF:		1 16-Apr-2019	

X-X

FOR WATER CALLOUTS SEE DWG NO. 000209446 / 303369-01-000



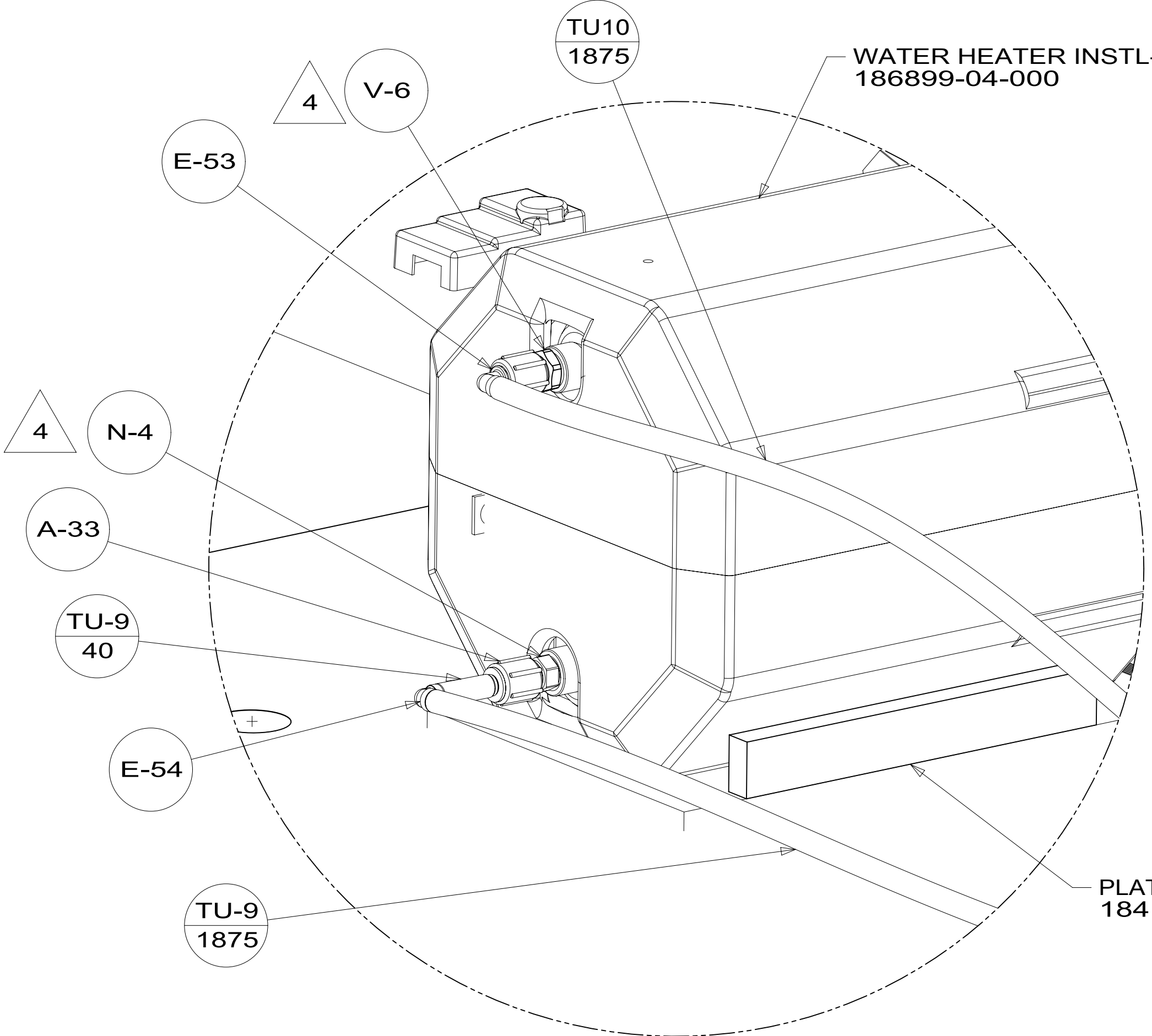
DESCRIPTION:		
WATER SYSTEM INSTL		
SHEET:	ITEM/PART NO:	REV
2 OF 3	000128798 / 32505701000	



WATER HEATER INSTL-6 GAL
186899-04-000

PLATFORM ASM-WATER HEATER
184166-01-000

WATER SYSTEM-REAR
000129824 / 325358-01-000



VIEW CA
(SHOWN W/OUT CABNETS)

DESCRIPTION:		
WATER SYSTEM INSTL		
SHEET:	ITEM/PART NO:	REV
3 OF 3	000128798 / 32505701000	