

- 12. WHEN INSTALLING TOILET ATTACH PLYWOOD TO SUB FLOOR THEN USE SCREW 000G11-08-06U (2) TO LOCATE AND FASTEN STEEL BRACKET TO FLOOR. THEN FASTEN DOWN PLASTIC BRACKETS TO FLOOR USING SUPPLIED HARDWARE. PLACE TOILET OVER THE BRACKETS AND FASTEN USING SUPPLIED HARDWARE AND THEN USE WHITE CAPS TO COVER SCREWS.
- 11. REQUIRES 5 GALLONS RV ANTIFREEZE 182955-01-000 PER TOLIET. FOLLOW TECMA TOLIET WINTERIZATION PROCEDURE.
- 10. APPLY PRIMER 126427-02-000 AND CEMENT 126427-01-000 BETWEEN ELBOW AND FLEX PIPE.
- 9. SEE DRAWING 061607 FOR INSTALLATION OF GROMMETS.
- 8. SECURE DRAINAGE PIPES TO CABINET USING WIRE TIE 108046-02-000, AND SCREW 000G67-10-12U AT INTERVALS OF NOT OF NOT MORE THAN 4 FEET APART.
- 7. SECURE VENT PIPE TO GROMMET WITH CLAMP 000156237 / 326663-02-000.
- 6. VENT PIPE MUST PROJECT 51 MIN AND 64 MAX ABOVE ROOF FOR PROPER FIT AND FUNCTION. ADD S-1 (000156099 / 326607-01-CHT SEAL-VENT PIPE) AROUND PIPE ON ROOF BEFORE VENT CAP IS INSTALLED.
- 5. SEAL AROUND SHOWER WITH SILICONE.
- 4. USE SMOOTH PLUMBERS PUTTY 167459-01-000 TO SEAL STRAINER (0.2 PER STRAINER).
- 3. ALL PIPE AND FITTINGS TO BE ASSEMBLED WITH SOLVENT 004020-01-000 (USA), 004020-02-000 (CAN)
- 2. SLOPE OF TRAP ARM MUST BE 6 PER 305 mm.
- 1. SLOPE OF HORIZONTAL PIPING TO BE MINIMUM OF 3 PER 305 mm.

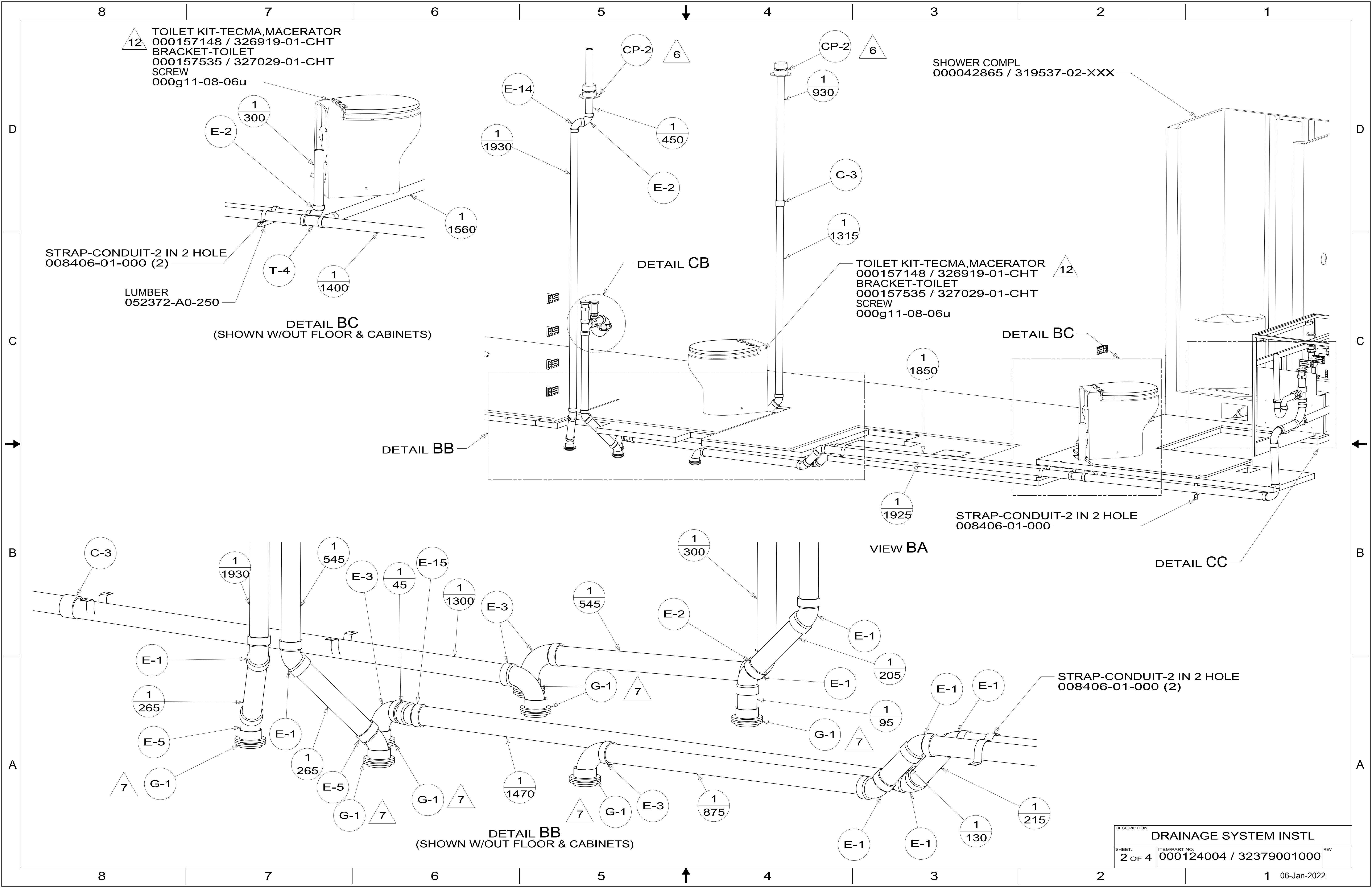
NOTES:

- 214 DISHWASHER
- 215 DISHWASHER-WITHOUT
- 21S WASHER/DRYER STACKED
- 1B1 CODES/STANDARDS USA
- 265 CODES/STDS-CSA,CMVSS
- 21M WASHER/DRYER PREP

X-X
FOR
DRAINAGE
CALLOUTS
SEE DWG NO.
000211962 /
303370-01-000

COPYRIGHT 2019 WINNEBAGO INDUSTRIES, INC.

DSNR:		ALL DIMENSIONS ARE IN MILLIMETERS	
DIFTR:			
UNSPECIFIED TOLERANCES:		MATERIAL:	
WHOLE DIM (X)	3		
ONE-PLACE (X.X)	1.5		
TWO-PLACE (X.XX)	0.50		
ANGLE	1°		
REFER TO ES0018 FOR FASTENER TIGHTENING GUIDELINES		WEIGHT: (LBS)	FIRST USED: (REF)
			20 P40J
DESCRIPTION:			
DRAINAGE SYSTEM INSTL			
SHEET:	ITEM/PART NO.:	REV	
1 OF 4	000124004 / 32379001000		
REF:		1 06-Jan-2022	



12 TOILET KIT-TECMA,MACERATOR
 000157148 / 326919-01-CHT
 BRACKET-TOILET
 000157535 / 327029-01-CHT
 SCREW
 000g11-08-06u

SHOWER COMPL
 000042865 / 319537-02-XXX

STRAP-CONDUIT-2 IN 2 HOLE
 008406-01-000 (2)

LUMBER
 052372-A0-250

DETAIL BC
 (SHOWN W/OUT FLOOR & CABINETS)

DETAIL CB

TOILET KIT-TECMA,MACERATOR
 000157148 / 326919-01-CHT
 BRACKET-TOILET
 000157535 / 327029-01-CHT
 SCREW
 000g11-08-06u

DETAIL BC

DETAIL BB

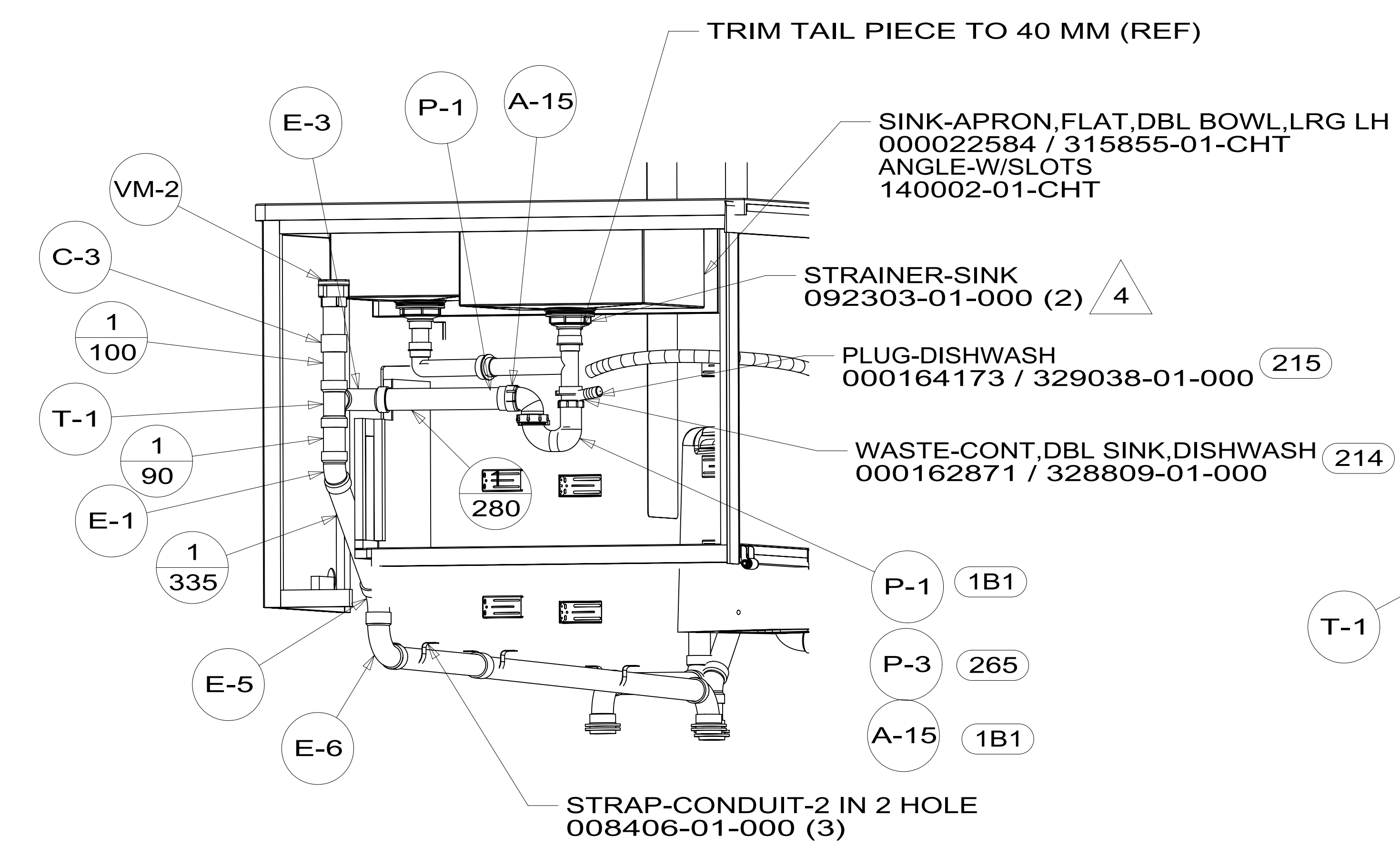
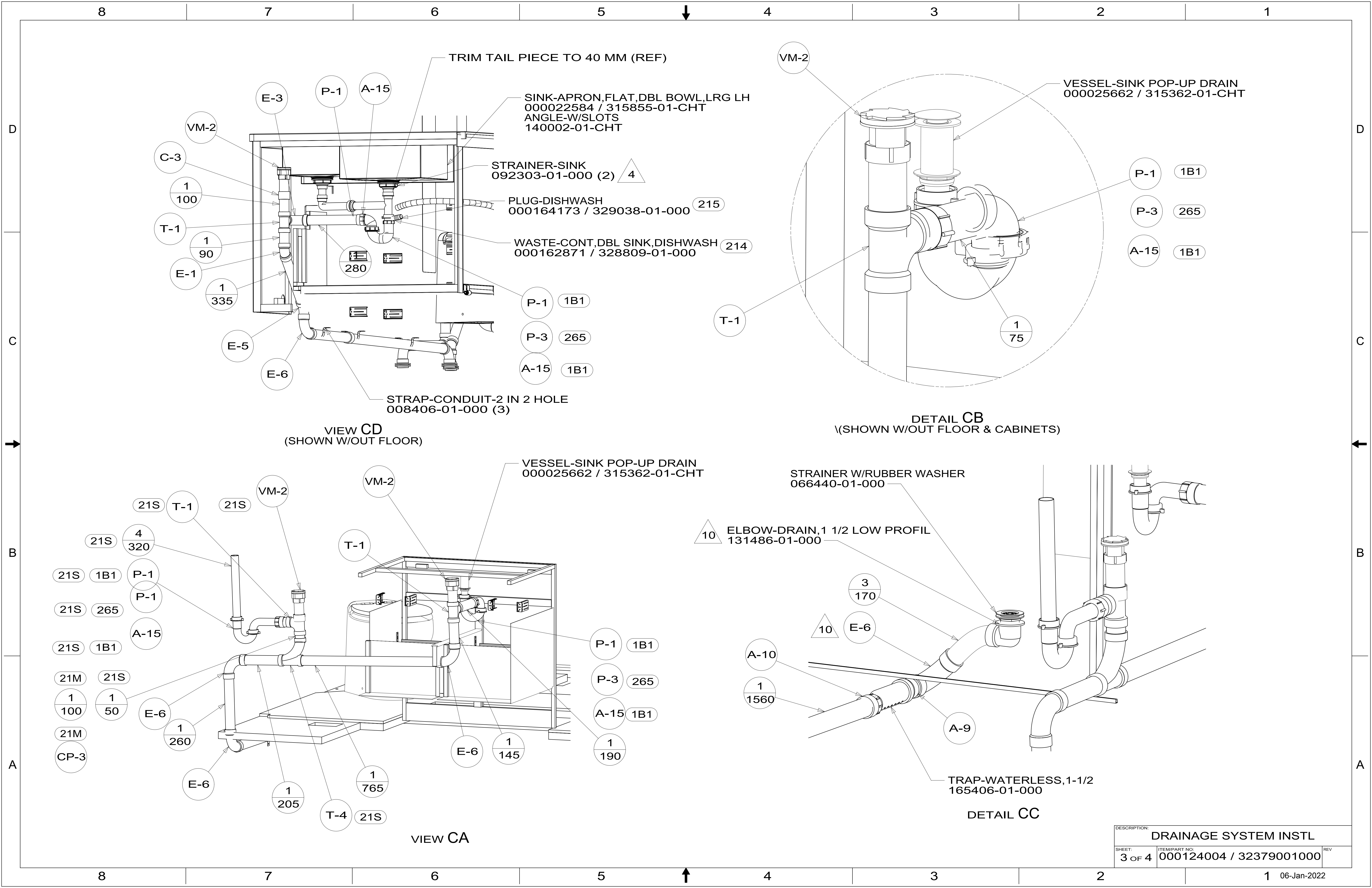
VIEW BA

DETAIL CC

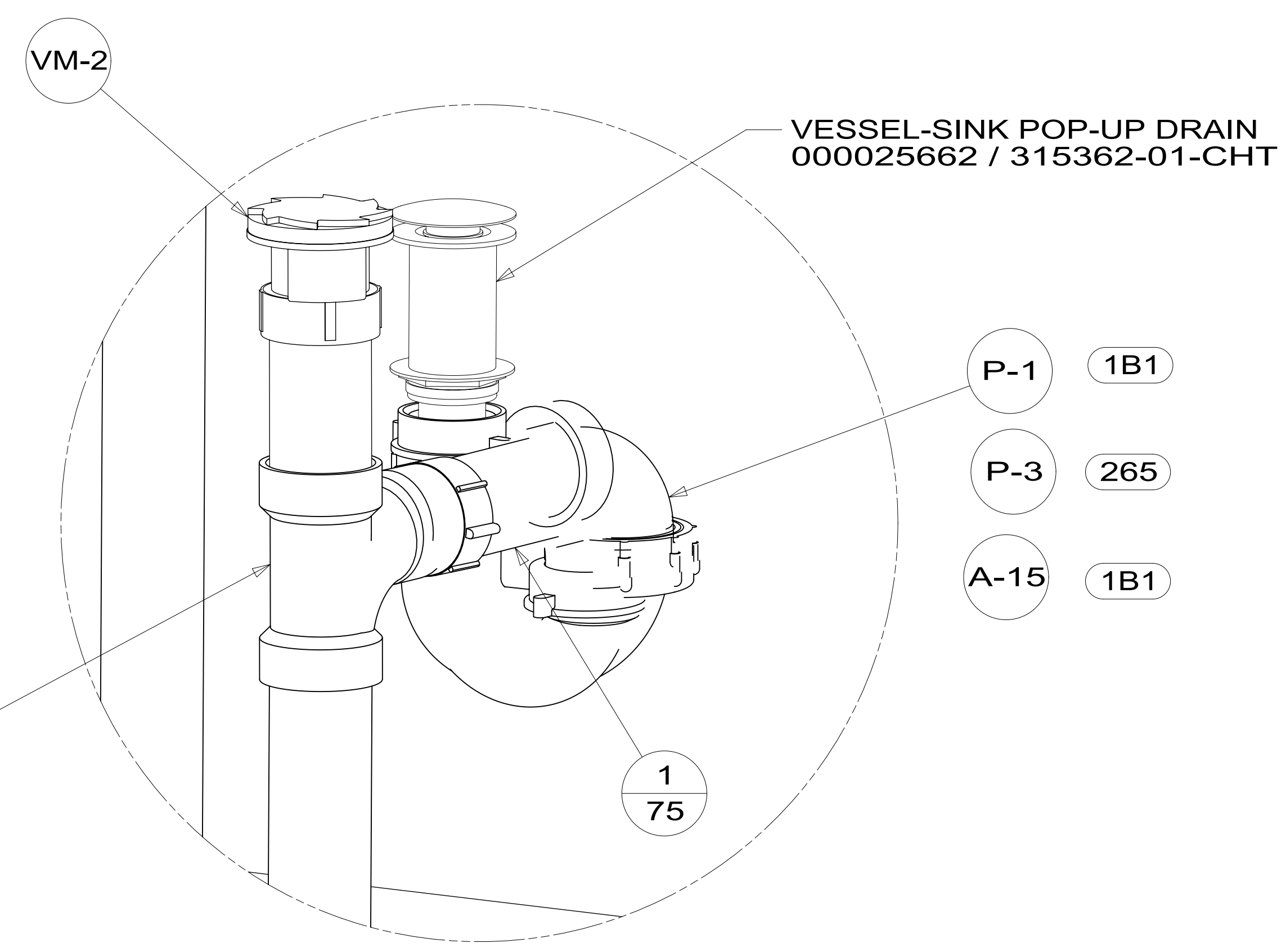
DETAIL BB
 (SHOWN W/OUT FLOOR & CABINETS)

STRAP-CONDUIT-2 IN 2 HOLE
 008406-01-000 (2)

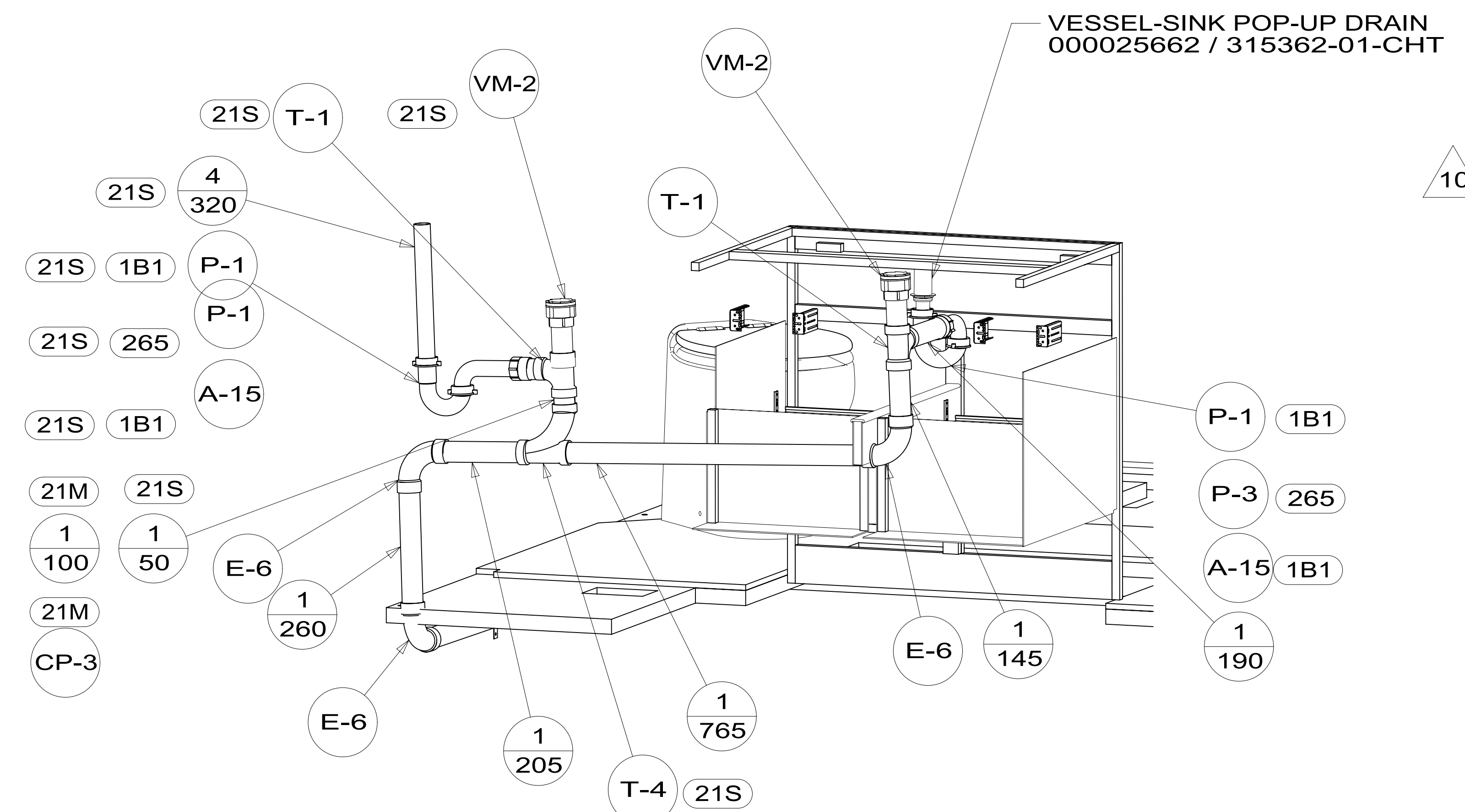
DESCRIPTION: DRAINAGE SYSTEM INSTL		
SHEET: 2 OF 4	ITEM/PART NO: 000124004 / 32379001000	REV
		06-Jan-2022



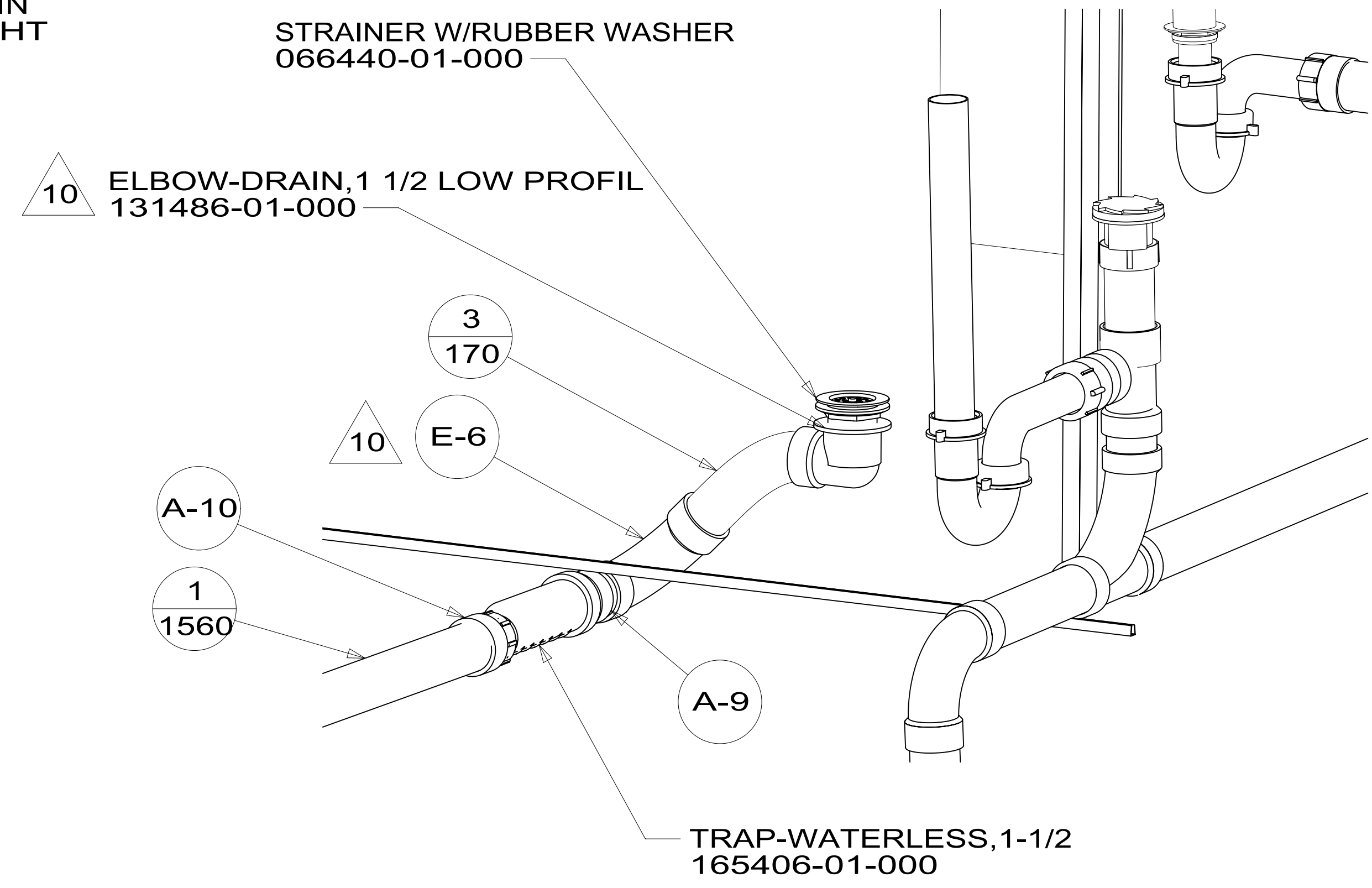
VIEW CD
(SHOWN W/OUT FLOOR)



DETAIL CB
(SHOWN W/OUT FLOOR & CABINETS)



VIEW CA



TRAP-WATERLESS, 1-1/2
165406-01-000

DETAIL CC

DESCRIPTION:		
DRAINAGE SYSTEM INSTL		
SHEET:	ITEM/PART NO.:	REV
3 OF 4	000124004 / 32379001000	
1 06-Jan-2022		

