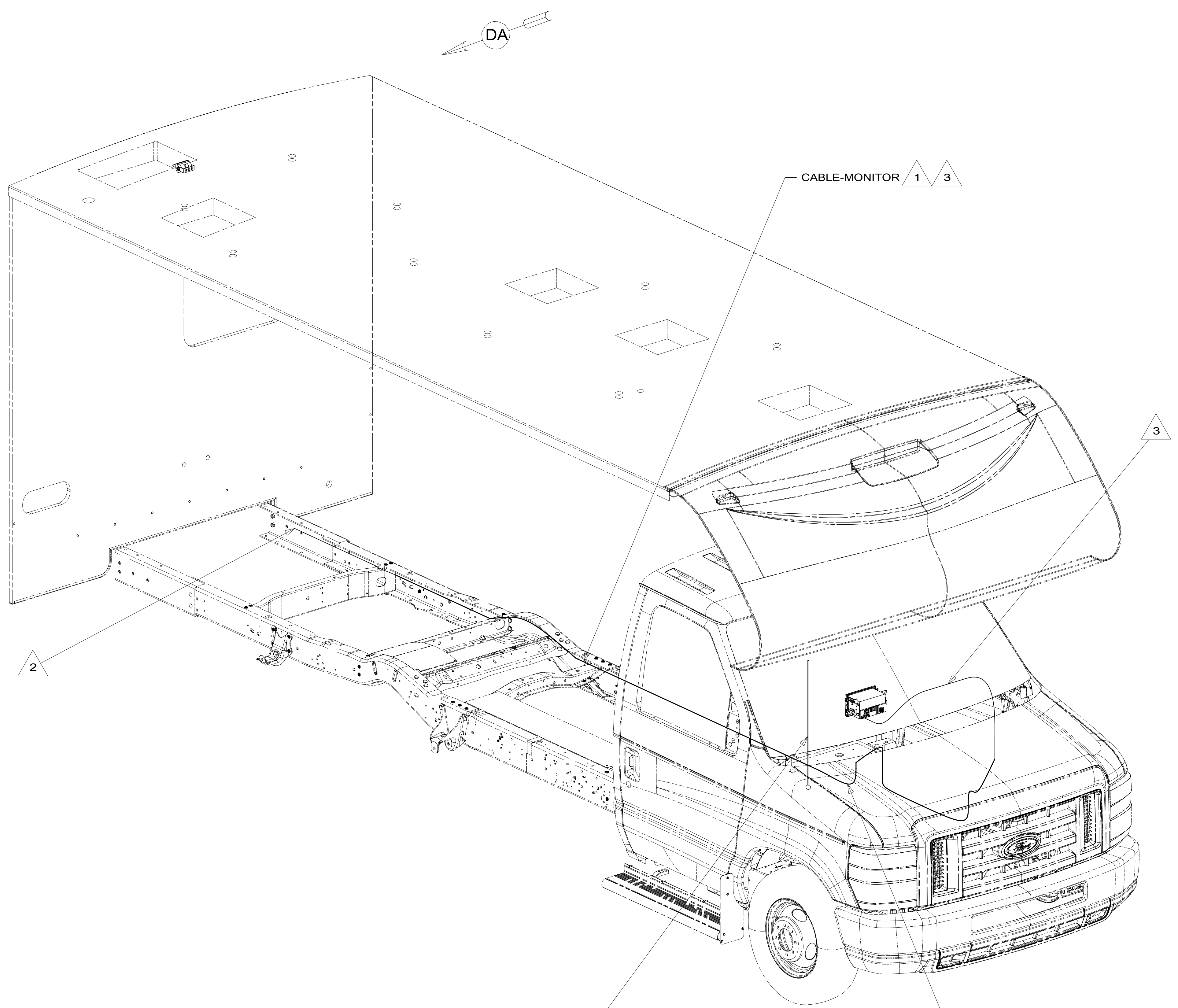


8 7 6 5 4 3 2 1

D
C
B
A



- 4 SUPPLIED WITH CHASSIS. USE SHORTEST SUPPLIED ANTENNA.
- 3 ROUTE MONITOR CABLE TO DASH RADIO.
- 2 WIRING IS ROUTED DIFFERENTLY FOR EACH UNIT FROM THIS POINT REARWARD. SEE WIRING INSTL-CHASSIS FOR MORE INFORMATION.
- 1 REAR MONITOR CAMERA CABLE IS PART OF WIRE ASM-CHASSIS AND RUNS ALONG LEFT FRAME RAIL.

NOTES:

4 ANTENNA-RADIO HOLE IN FLOOR

FOR ELECTRICAL TORQUE SPECIFICATIONS SEE DWG NO. 128783-01-000

FOR ELECTRICAL CALLOUTS SEE DWG NO. 121339-01-000

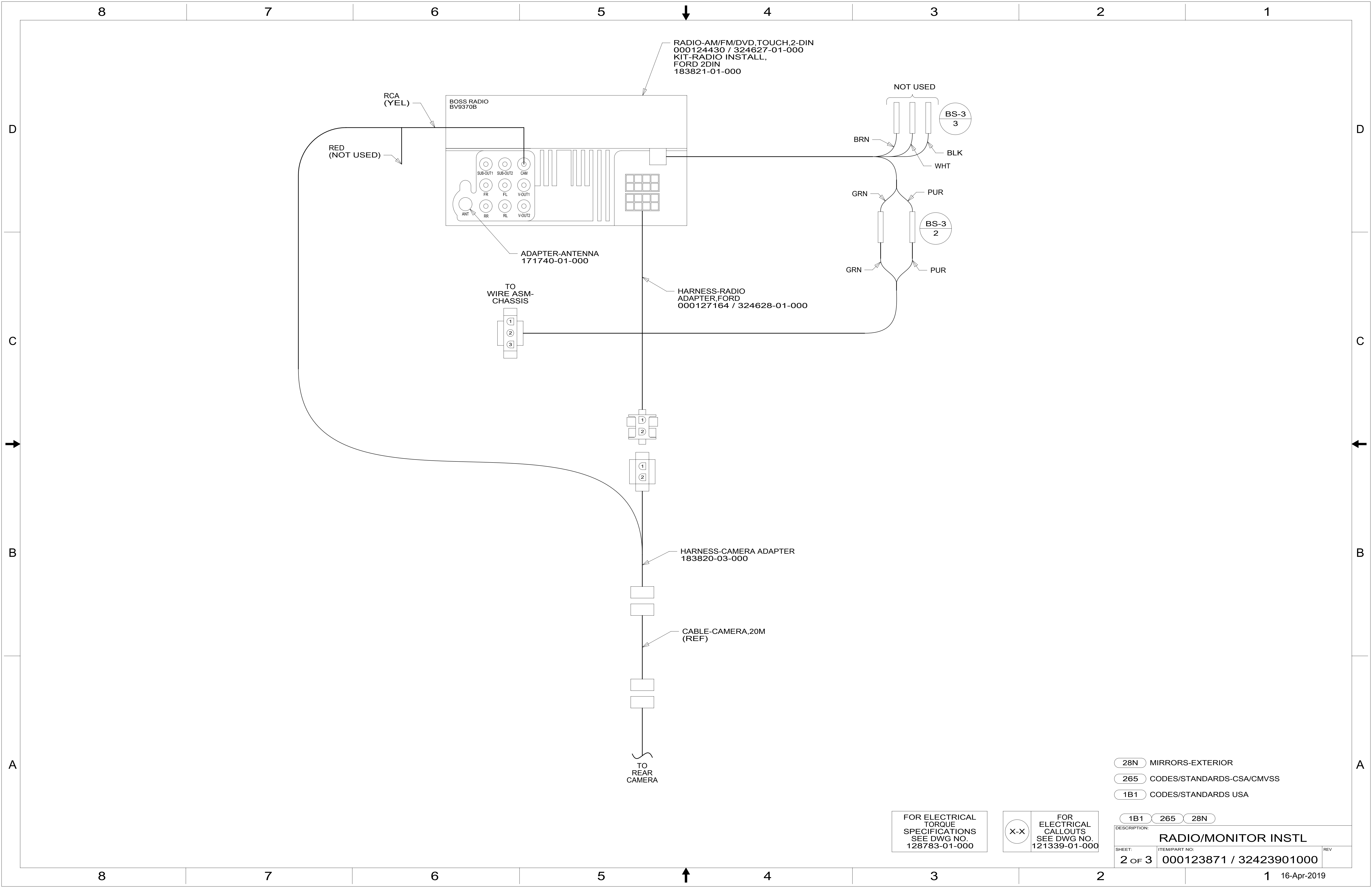
265 CODES/STANDARDS-CSA/CMVSS
1B1 CODES/STANDARDS USA
1B1 265



DSNR:	ALL DIMENSIONS ARE IN MILLIMETERS	
DFFR:	MATERIAL:	
UNSPECIFIED TOLERANCES:		
WHOLE DIM (X) :	3	
ONE-PLACE (X.X) :	1.5	
TWO-PLACE (X.XX) :	0.50	
ANGLE :	1°	
REFER TO ES0018 FOR FASTENER TIGHTENING GUIDELINES	WEIGHT: (LBS)	FIRST USED:
		19 900-SER

DESCRIPTION: RADIO/MONITOR INSTL		
SHEET: 1 OF 3	ITEM/PART NO: 000123871 / 32423901000	REV:
REF:	1 16-Apr-2019	

8 7 6 5 4 3 2 1



RADIO-AM/FM/DVD, TOUCH, 2-DIN
 000124430 / 324627-01-000
 KIT-RADIO INSTALL,
 FORD 2DIN
 183821-01-000

BOSS RADIO
 BV9370B

RCA
 (YEL)

RED
 (NOT USED)

ADAPTER-ANTENNA
 171740-01-000

TO
 WIRE ASM-
 CHASSIS

HARNESS-RADIO
 ADAPTER, FORD
 000127164 / 324628-01-000

NOT USED

BS-3
 3

BRN

BLK

WHT

GRN

PUR

BS-3
 2

GRN

PUR

HARNESS-CAMERA ADAPTER
 183820-03-000

CABLE-CAMERA, 20M
 (REF)

TO
 REAR
 CAMERA

- 28N MIRRORS-EXTERIOR
- 265 CODES/STANDARDS-CSA/CMVSS
- 1B1 CODES/STANDARDS USA

FOR ELECTRICAL
 TORQUE
 SPECIFICATIONS
 SEE DWG NO.
 128783-01-000

FOR
 ELECTRICAL
 CALLOUTS
 SEE DWG NO.
 121339-01-000

1B1	265	28N
DESCRIPTION:		
RADIO/MONITOR INSTL		
SHEET:	ITEM/PART NO.:	REV
2 OF 3	000123871 / 32423901000	

8

7

6

5



4

3

2

1

D

D

C

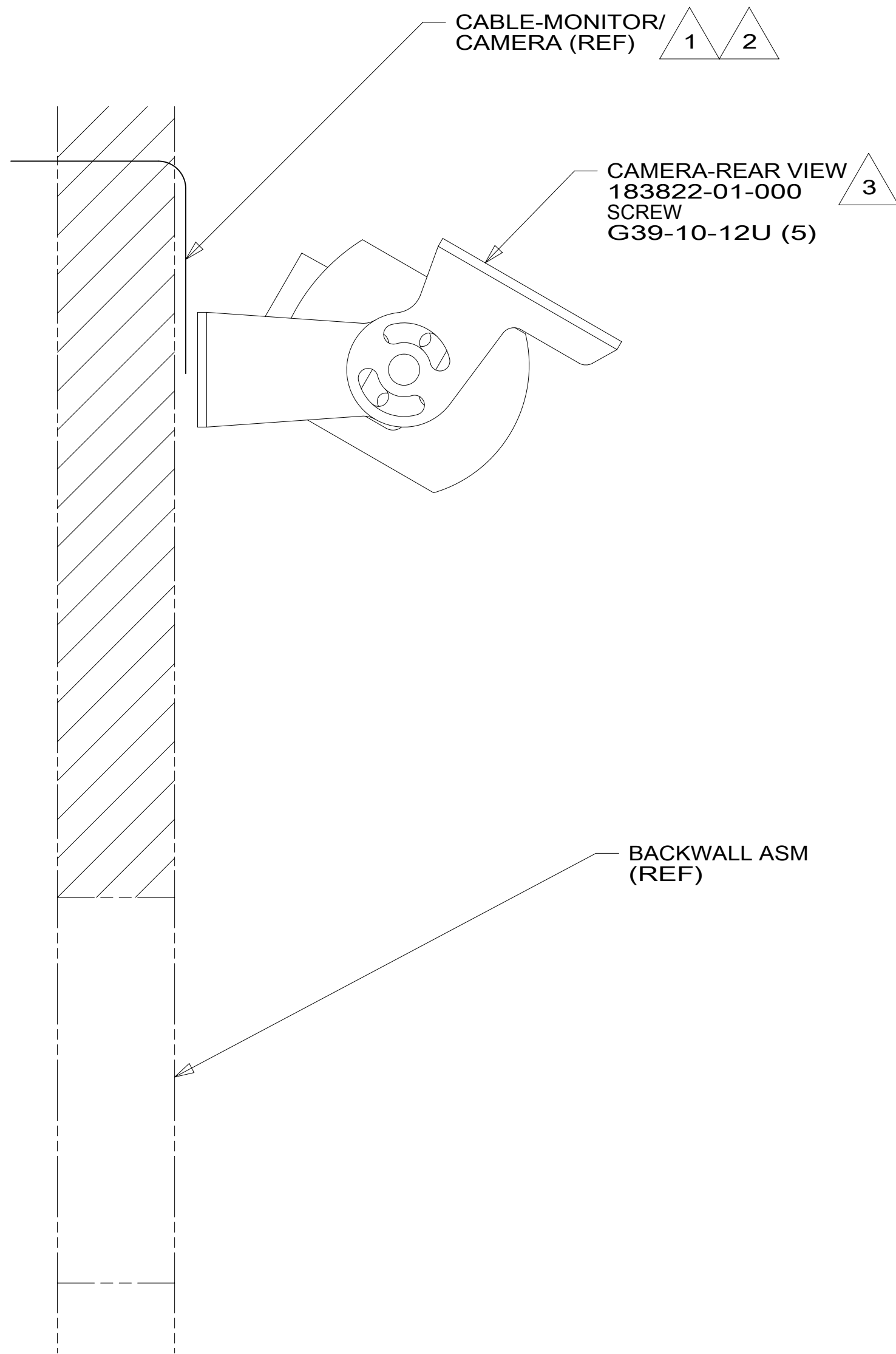
C

B


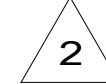

B

A

A



VIEW DA

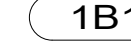
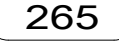
- NOTES:
-  ADJUST CAMERA AFTER MOUNTING SO BACKWALL IS JUST VISIBLE ON BOTTOM OF THE SCREEN.
 -  REAR MONITOR CABLE IS PART OF THE WIRE ASM-CHASSIS. SEE WIRING INSTL-CHASSIS FOR ADDITIONAL INFORMATION.
 -  CABLE ROUTED THRU BACKWALL.

FOR ELECTRICAL TORQUE SPECIFICATIONS SEE DWG NO. 128783-01-000

FOR ELECTRICAL CALLOUTS SEE DWG NO. 121339-01-000

 CODES/STANDARDS-CSA/CMVSS

 CODES/STANDARDS USA

DESCRIPTION: RADIO/MONITOR INSTL		
SHEET: 3 OF 3	ITEM/PART NO: 000123871 / 32423901000	REV

8

7

6

5



4

3

2

1

16-Apr-2019