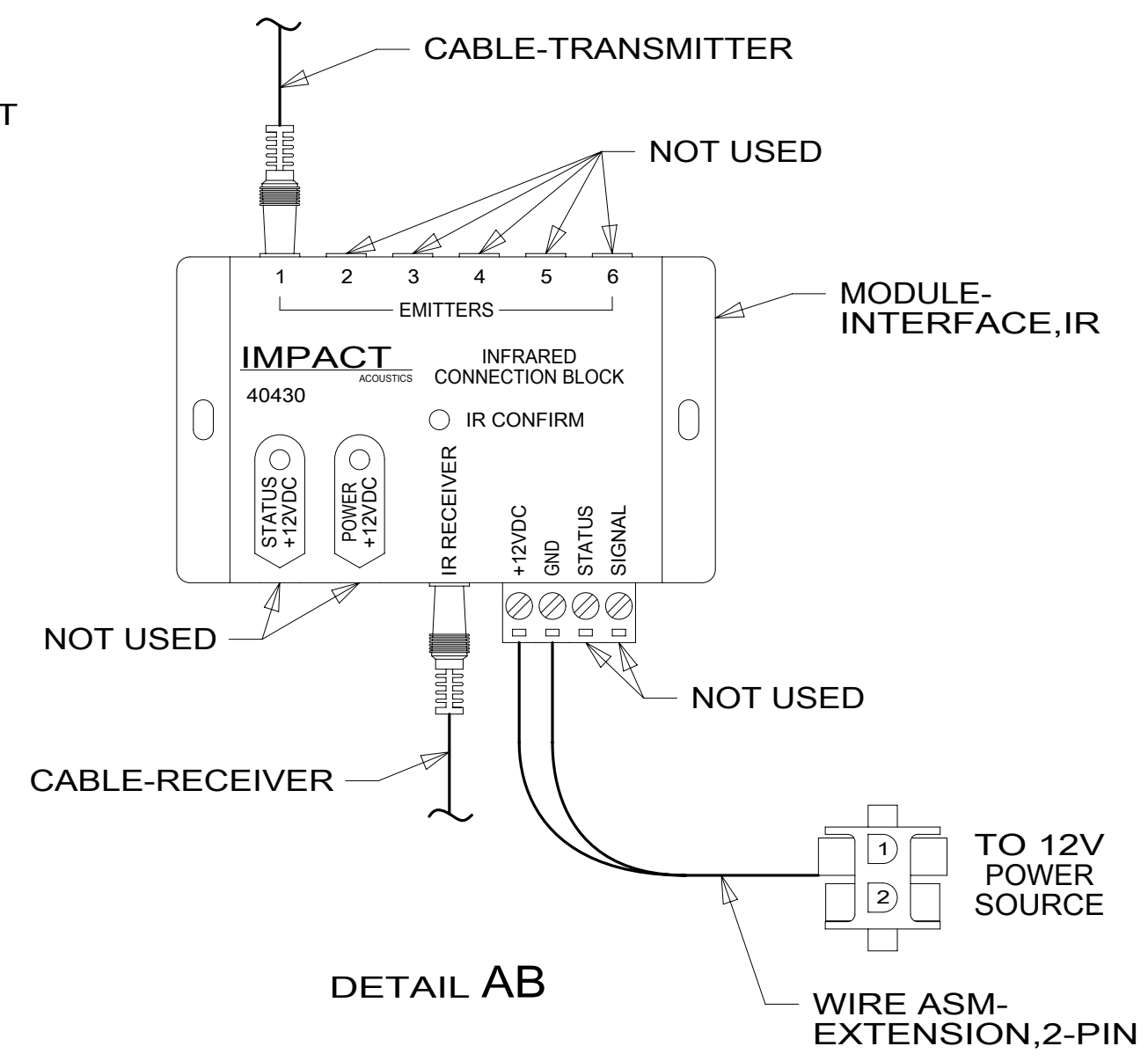
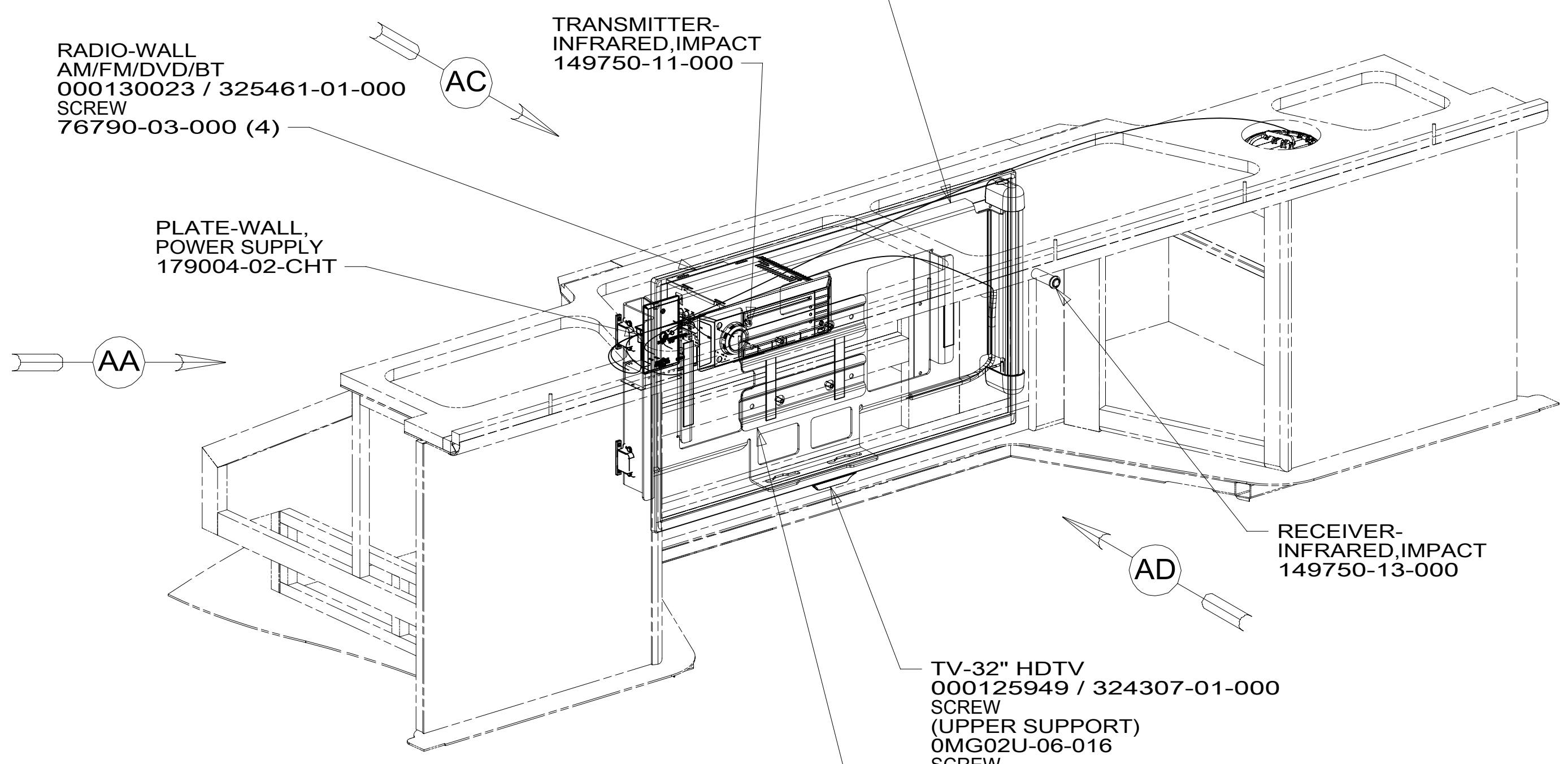
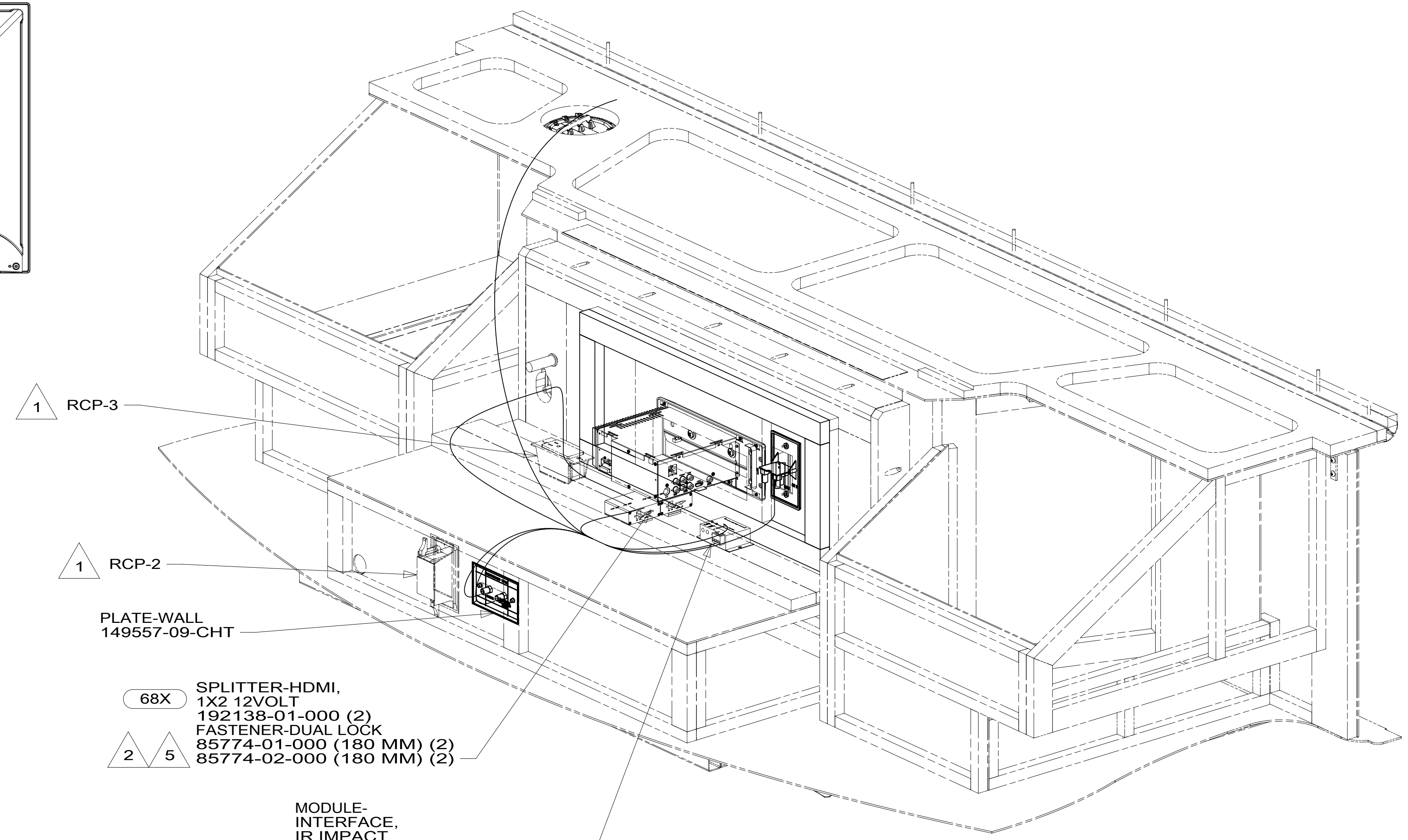
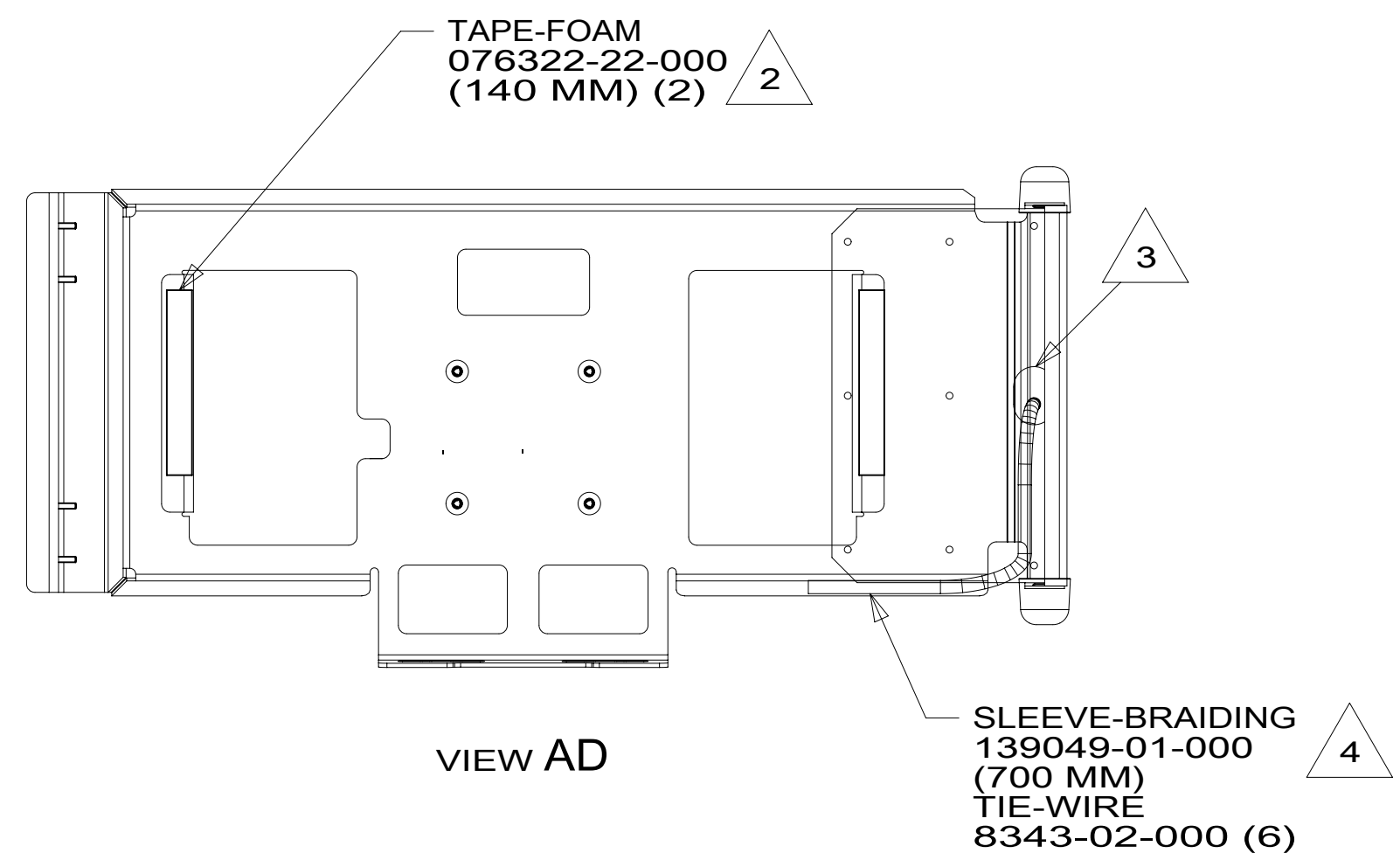
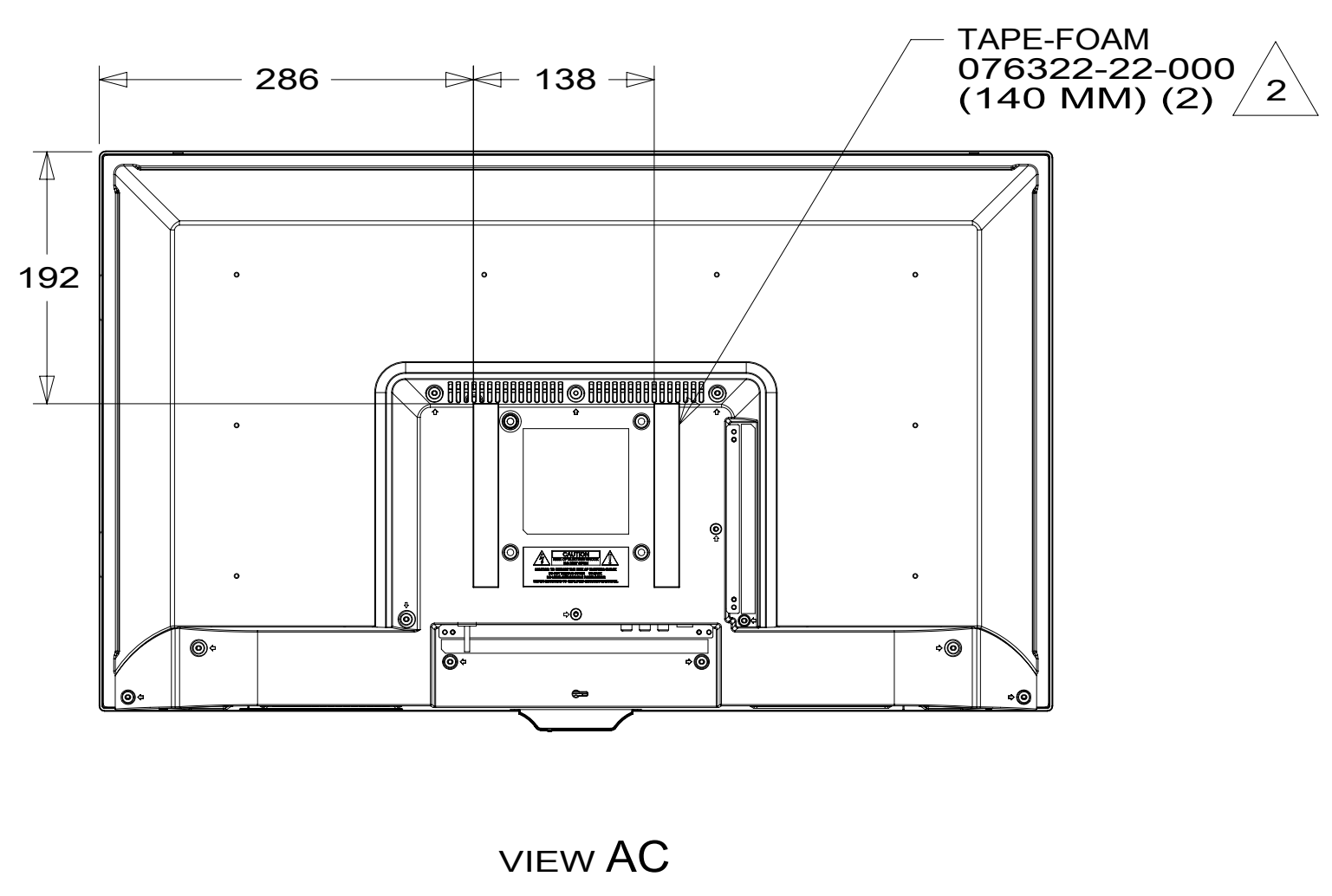


8 7 6 5 4 3 2 1



- NOTES:
- 5 ATTACH DUAL LOCK TO UNDERSIDE OF SPLITTER AND ATTACH TO WOODEN SUPPORT.
 - 4 COVER WIRES, COAX, RCA, & HDMI CABLES WITH BRAIDED SLEEVING AND SECURE TO TV BRACKET WITH TIE-WIRE.
 - 3 HOLE IN BRACKET TO ALIGN WITH HOLE IN CABINET.
 - 2 CLEAN AND APPLY ADHESIVE PROMOTER 87211-01-000 TO BOTH SURFACES.
 - 1 SEE WIRING INSTL-BODY, 110V FOR ADDITIONAL INFORMATION.

- 68X TV - BEDROOM
- 265 CODES/STANDARDS-CSA/CMVSS
- 1B1 CODES/STANDARDS USA

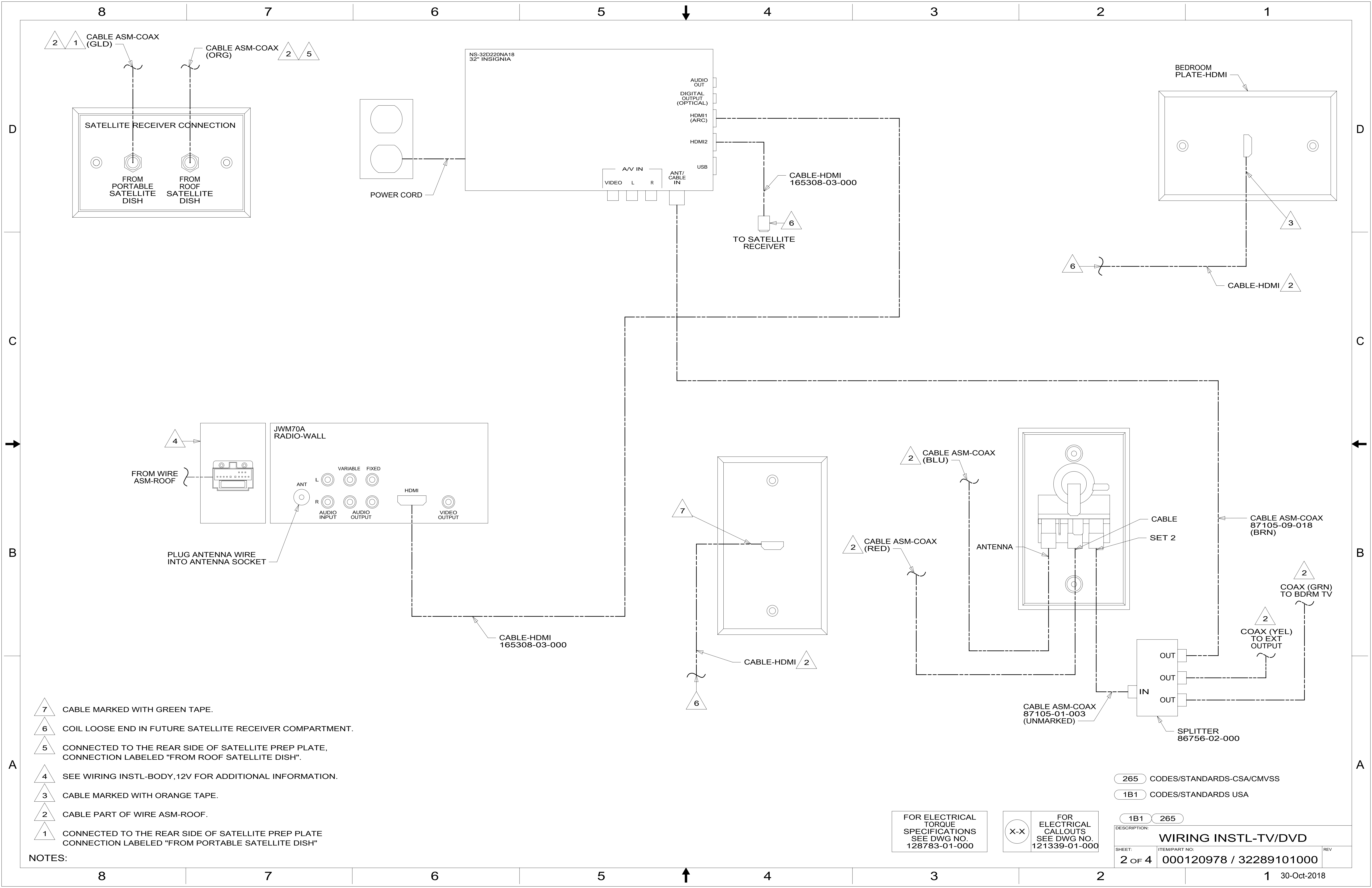
WINNEBAGO
COPYRIGHT 2016 WINNEBAGO INDUSTRIES, INC.

DSNR:	ALL DIMENSIONS ARE IN MILLIMETERS	
DFFR:		
UNSPECIFIED TOLERANCES:	MATERIAL:	
WHOLE DIM (X) : 3		
ONE-PLACE (X.X) : 1.5		
TWO-PLACE (X.XX) : 0.50		
ANGLE : 1°		
REFER TO ES0018 FOR FASTENER TIGHTENING GUIDELINES	WEIGHT: (LBS)	FIRST USED: 18 423T
DESCRIPTION: WIRING INSTL-TV/DVD		
SHEET: 1 OF 4	ITEM/PART NO: 000120978 / 32289101000	REV:
REF: 1		30-Oct-2018

FOR ELECTRICAL TORQUE SPECIFICATIONS SEE DWG NO. 128783-01-000

FOR ELECTRICAL CALLOUTS SEE DWG NO. 121339-01-000

8 7 6 5 4 3 2 1



- NOTES:
- 7 CABLE MARKED WITH GREEN TAPE.
 - 6 COIL LOOSE END IN FUTURE SATELLITE RECEIVER COMPARTMENT.
 - 5 CONNECTED TO THE REAR SIDE OF SATELLITE PREP PLATE, CONNECTION LABELED "FROM ROOF SATELLITE DISH".
 - 4 SEE WIRING INSTL-BODY, 12V FOR ADDITIONAL INFORMATION.
 - 3 CABLE MARKED WITH ORANGE TAPE.
 - 2 CABLE PART OF WIRE ASM-ROOF.
 - 1 CONNECTED TO THE REAR SIDE OF SATELLITE PREP PLATE CONNECTION LABELED "FROM PORTABLE SATELLITE DISH"

FOR ELECTRICAL TORQUE SPECIFICATIONS SEE DWG NO. 128783-01-000

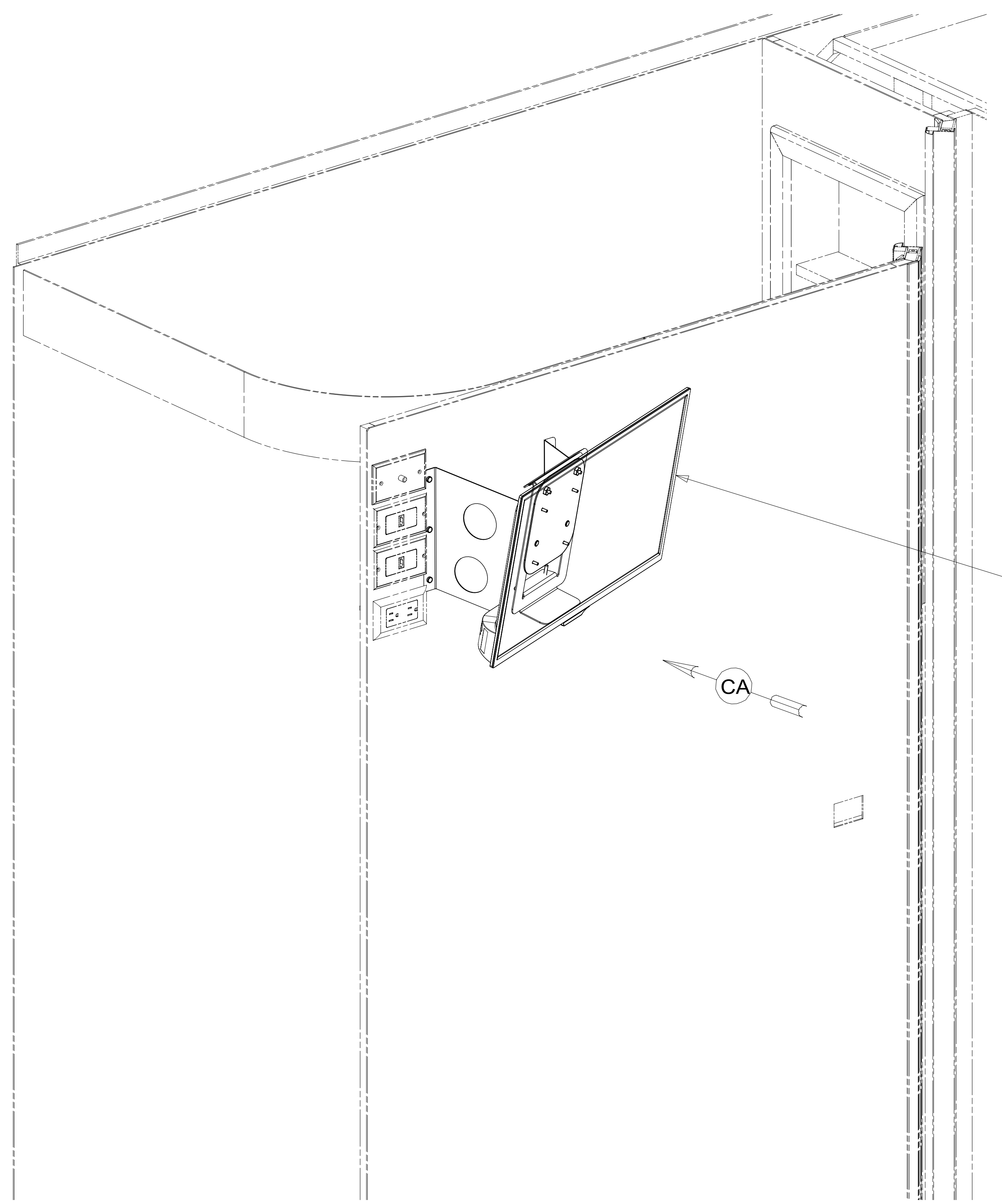
FOR ELECTRICAL CALLOUTS SEE DWG NO. 121339-01-000

- 265 CODES/STANDARDS-CSA/CMVSS
- 1B1 CODES/STANDARDS USA

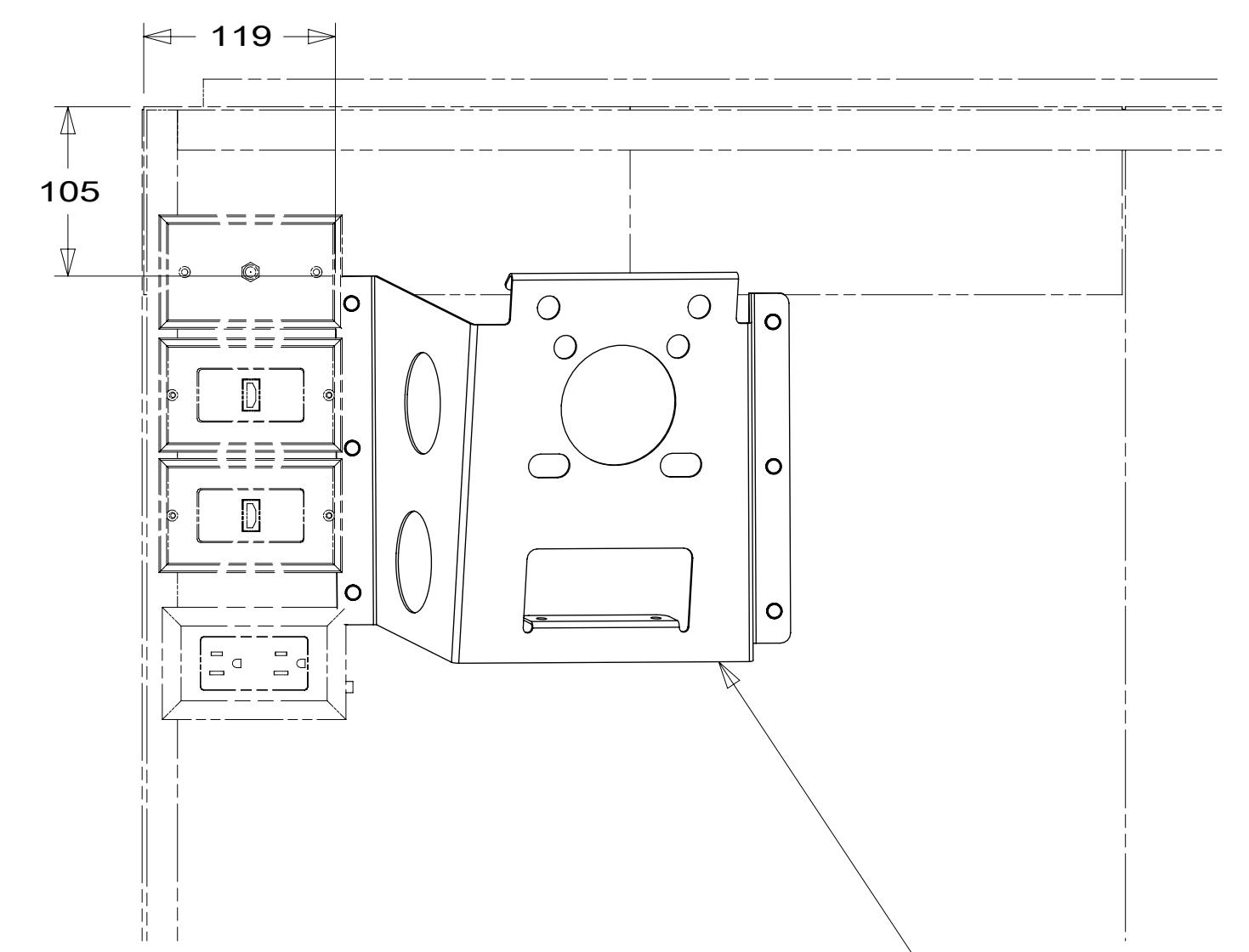
DESCRIPTION: WIRING INSTL-TV/DVD		
SHEET: 2 OF 4	ITEM/PART NO: 000120978 / 32289101000	REV
		30-Oct-2018

8 7 6 5 4 3 2 1

D
C
B
A



- TV-24" HDTV, INSIGNIA
000167921 / 330227-01-000
- SCREW
OMG02U-04-012 (4)
- WASHER
OME02U-04-071 (4)
- PLATE ASM
000168018 / 330250-01-CHT
- NUT
000D65-08-00U (2)
- SCREW
000G19-10-10U (2)
- PLATE-MOUNTING
000032972 / 317364-01-CHT
- TIE-WIRE
008343-01-000



VIEW CA
(TV NOT SHOWN)

- BRACKET-TV
000033446 / 317571-01-CHT
- SCREW
G39-10-12U (8)

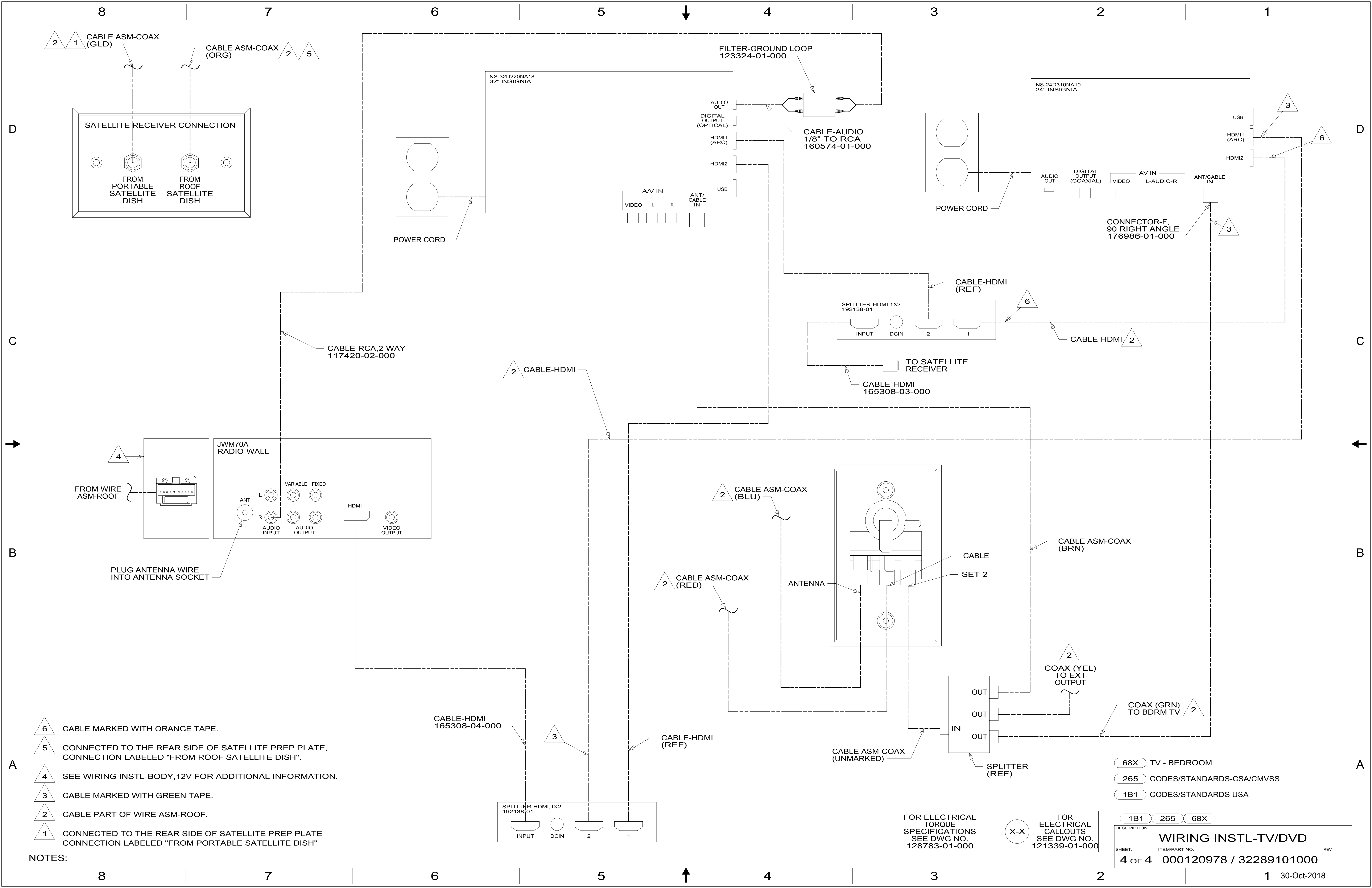
- 68X TV - BEDROOM
- 265 CODES/STANDARDS-CSA/CMVSS
- 1B1 CODES/STANDARDS USA

FOR ELECTRICAL
TORQUE
SPECIFICATIONS
SEE DWG NO.
128783-01-000

FOR
ELECTRICAL
CALLOUTS
SEE DWG NO.
121339-01-000

DESCRIPTION:	1B1 265 68X	
WIRING INSTL-TV/DVD		
SHEET:	ITEM/PART NO:	REV
3 OF 4	000120978 / 32289101000	

8 7 6 5 4 3 2 1 30-Oct-2018



- NOTES:
- 6 CABLE MARKED WITH ORANGE TAPE.
 - 5 CONNECTED TO THE REAR SIDE OF SATELLITE PREP PLATE, CONNECTION LABELED "FROM ROOF SATELLITE DISH".
 - 4 SEE WIRING INSTL-BODY, 12V FOR ADDITIONAL INFORMATION.
 - 3 CABLE MARKED WITH GREEN TAPE.
 - 2 CABLE PART OF WIRE ASM-ROOF.
 - 1 CONNECTED TO THE REAR SIDE OF SATELLITE PREP PLATE CONNECTION LABELED "FROM PORTABLE SATELLITE DISH"

FOR ELECTRICAL TORQUE SPECIFICATIONS SEE DWG NO. 128783-01-000

FOR ELECTRICAL CALLOUTS SPECIFICATIONS SEE DWG NO. 121339-01-000

68X	TV - BEDROOM	
265	CODES/STANDARDS-CSA/CMVSS	
1B1	CODES/STANDARDS USA	
1B1	265	68X
DESCRIPTION: WIRING INSTL-TV/DVD		
SHEET: 4 OF 4	ITEM/PART NO: 000120978 / 32289101000	REV