

D

D

C

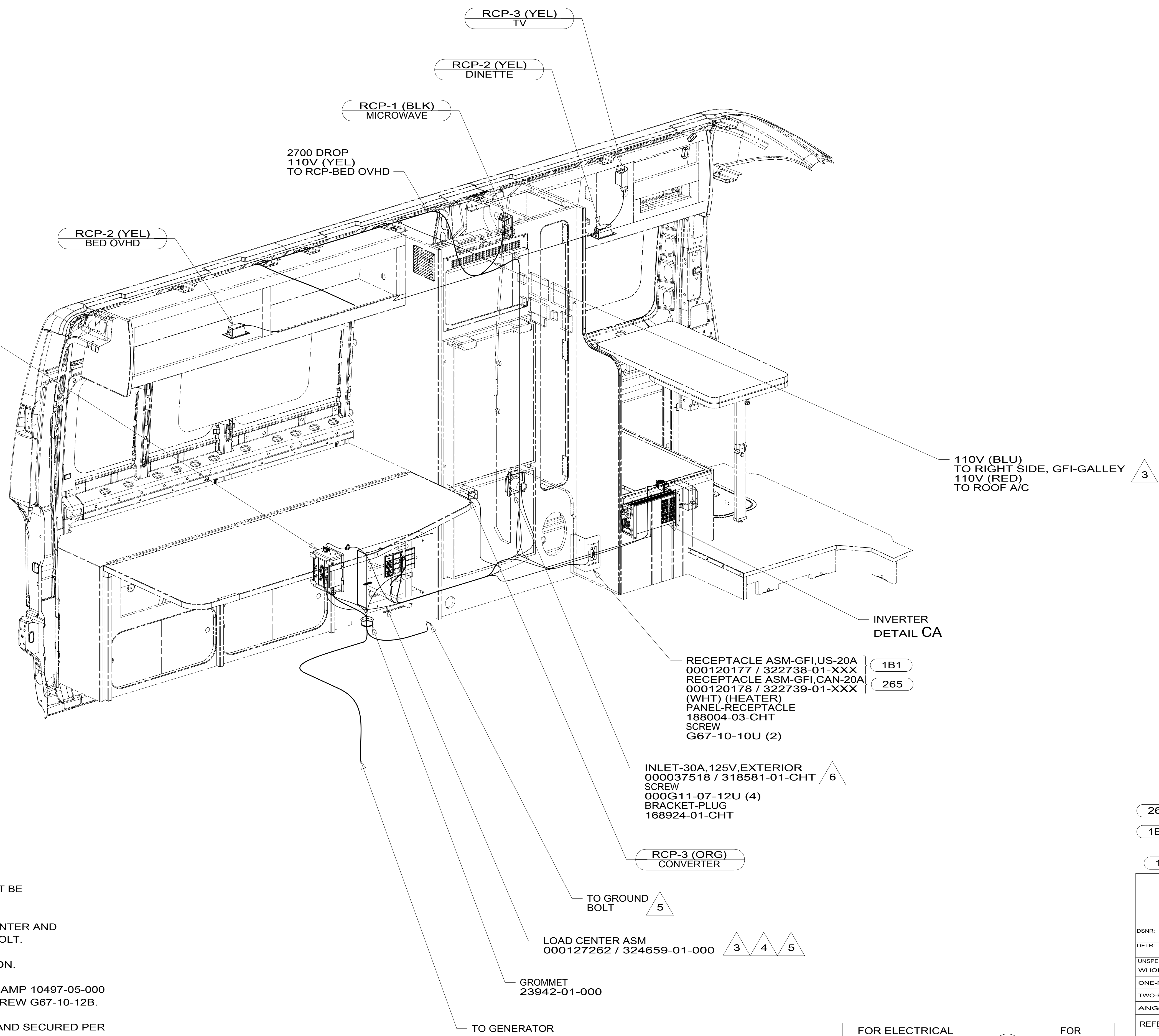
C

B

B

A

A



4 5 ATS ASM
000022572 / 314488-01-000

2700 DROP
110V (YEL)
TO RCP-BED OVHD

RCP-2 (YEL)
BED OVHD

RCP-2 (YEL)
DINETTE

RCP-1 (BLK)
MICROWAVE

RCP-3 (YEL)
TV

110V (BLU)
TO RIGHT SIDE, GFI-GALLEY
110V (RED)
TO ROOF A/C

INVERTER
DETAIL CA

RECEPTACLE ASM-GFI,US-20A
000120177 / 322738-01-XXX } 1B1
RECEPTACLE ASM-GFI,CAN-20A
000120178 / 322739-01-XXX } 265
(WHT) (HEATER)
PANEL-RECEPTACLE
188004-03-CHT
SCREW
G67-10-10U (2)

INLET-30A,125V,EXTERIOR
000037518 / 318581-01-CHT } 6
SCREW
000G11-07-12U (4)
BRACKET-PLUG
168924-01-CHT

RCP-3 (ORG)
CONVERTER

TO GROUND
BOLT } 5

LOAD CENTER ASM
000127262 / 324659-01-000 } 3 4 5

GROMMET
23942-01-000

TO GENERATOR

- 6 DO NOT HI-POT INLET. LED MAY FAIL.
- 5 LOAD CENTER AND ATS GROUND WIRES MUST BE ATTACHED DIRECTLY TO CHASSIS GROUND.
- 4 GROUND WIRES (8 GA WIRE) FROM LOAD CENTER AND ATS ROUTES THROUGH FLOOR TO GROUND BOLT.
- 3 SEE SHEET 3 FOR ADDITIONAL INFORMATION.
2. ALL 110V WIRES TO BE CLAMPED WITH CLAMP 10497-05-000 WITHIN 200MM OF OUTLET BOXES, USE SCREW G67-10-12B.
1. AT MINIMUM ALL WIRES TO BE SUPPORTED AND SECURED PER CODE REQUIREMENTS. USE CLAMP 10495 OR 10497 OR WIRE TIE 8343 OR 108046 AND SCREW G67-XX-XXX OR G56-XX-XXX AS APPROPRIATE FOR INSTALLATION.

NOTES:

265 CODES/STANDARDS-CSA/CMVSS
1B1 CODES/STANDARDS USA

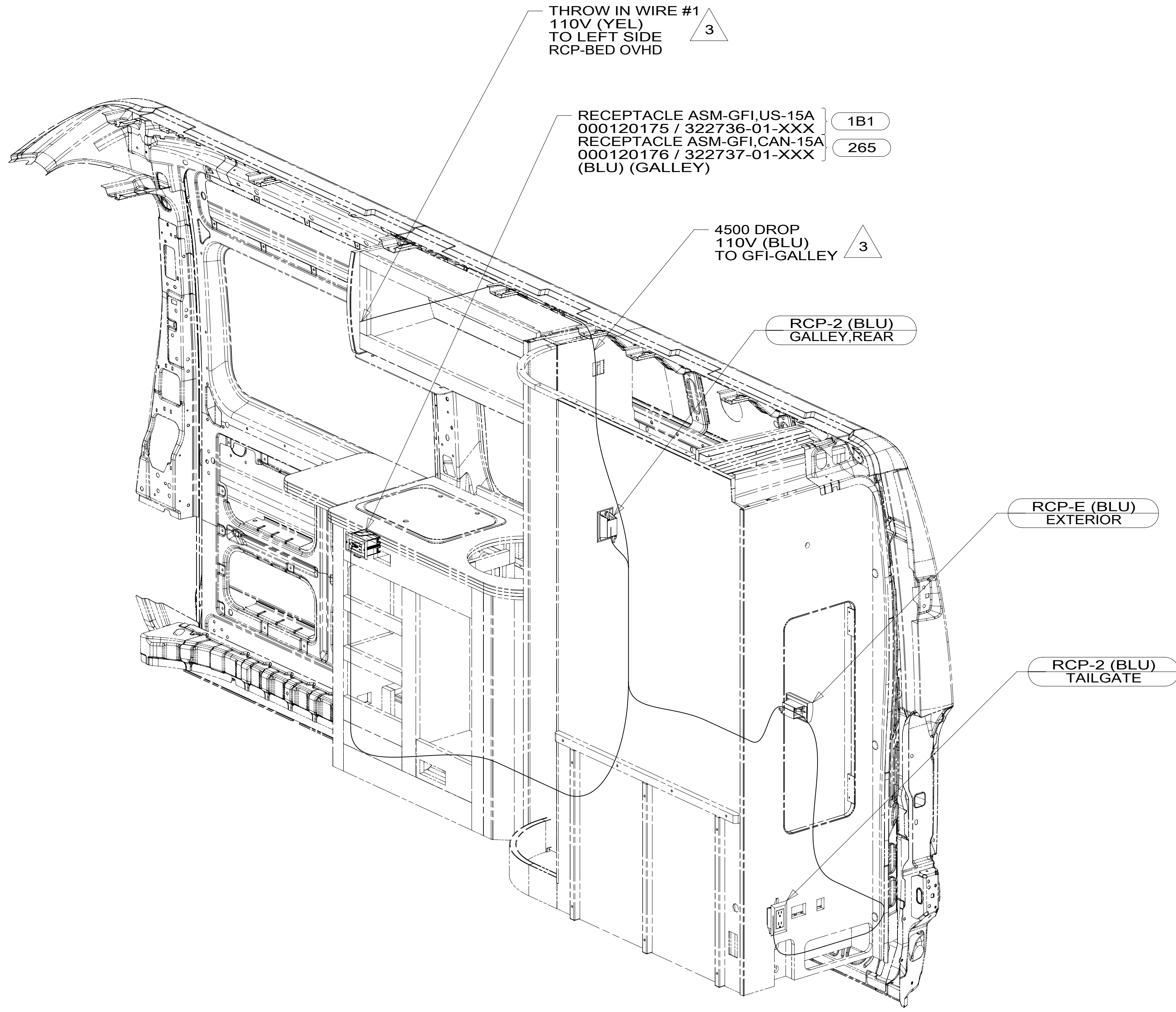
1B1 265



DSNR:		ALL DIMENSIONS ARE IN MILLIMETERS	
DIFFR:		MATERIAL:	
UNSPECIFIED TOLERANCES:			
WHOLE DIM (X)	: 3		
ONE-PLACE (X.X)	: 1.5		
TWO-PLACE (X.XX)	: 0.50		
ANGLE	: 1°		
REFER TO ES0018 FOR FASTENER TIGHTENING GUIDELINES		WEIGHT: (LBS)	FIRST USED:
			19 259G
DESCRIPTION: WIRING INSTL-BODY, 110V			
SHEET:	ITEM/PART NO:	REV	
1 OF 4	000042798 / 32194801000		

FOR ELECTRICAL
TORQUE
SPECIFICATIONS
SEE DWG NO.
128783-01-000

FOR
ELECTRICAL
CALLOUTS
SEE DWG NO.
121339-01-000



- △ 3 SEE SHEET 3 FOR ADDITIONAL INFORMATION.
- ALL 110V WIRES TO BE CLAMPED WITH CLAMP 10497-05-000 WITHIN 200MM OF OUTLET BOXES, USE SCREW G67-10-12B.
 - AT MINIMUM ALL WIRES TO BE SUPPORTED AND SECURED PER CODE REQUIREMENTS. USE CLAMP 10495 OR 10497 OR WIRE TIE 8343 OR 108046 AND SCREW G67-XX-XXX OR G56-XX-XXX AS APPROPRIATE FOR INSTALLATION.

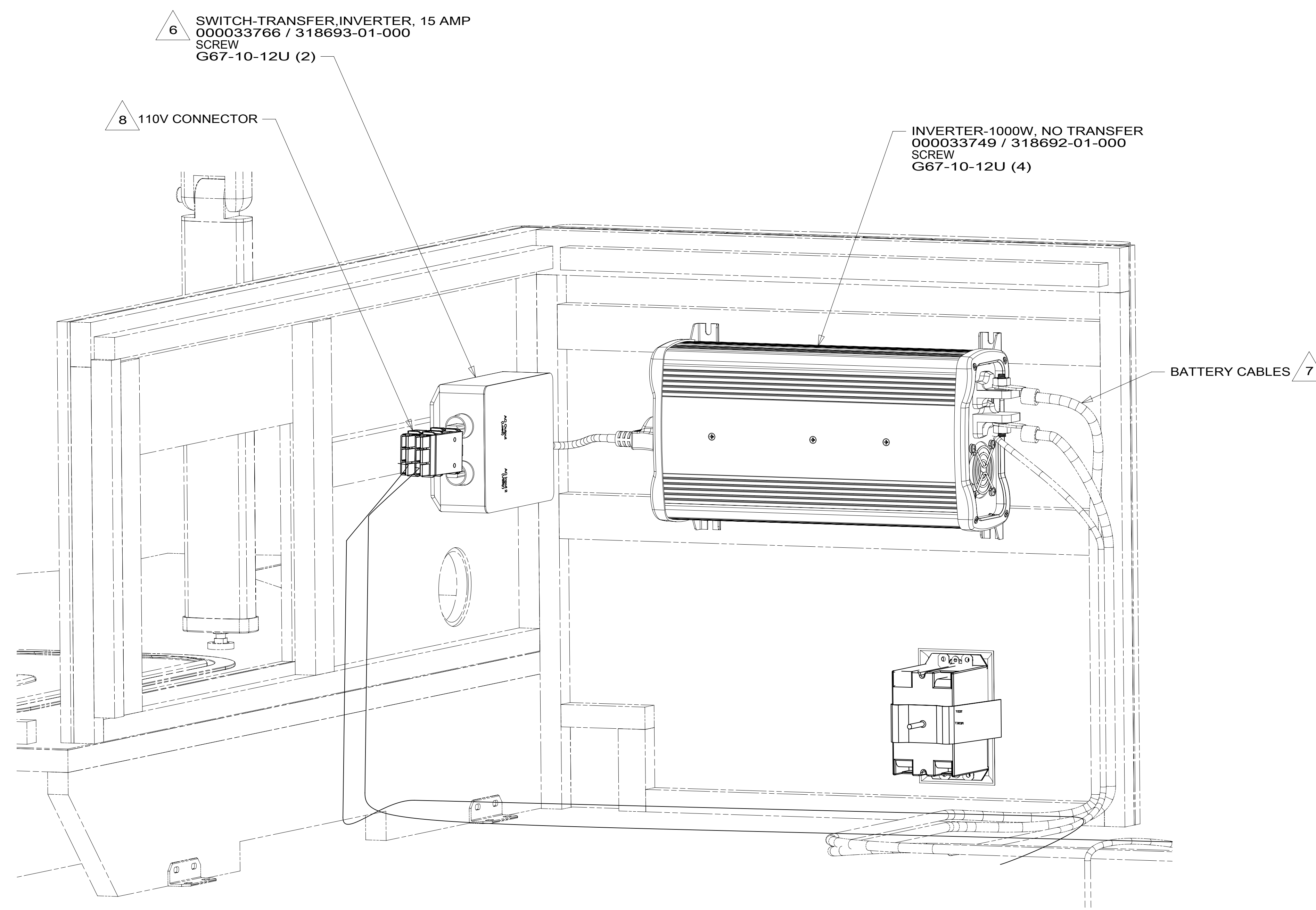
NOTES:

265 CODES/STANDARDS-CSA/CMVSS
1B1 CODES/STANDARDS USA

FOR ELECTRICAL TORQUE SPECIFICATIONS SEE DWG NO. 128783-01-000

FOR ELECTRICAL CALLOUTS SEE DWG NO. 121339-01-000

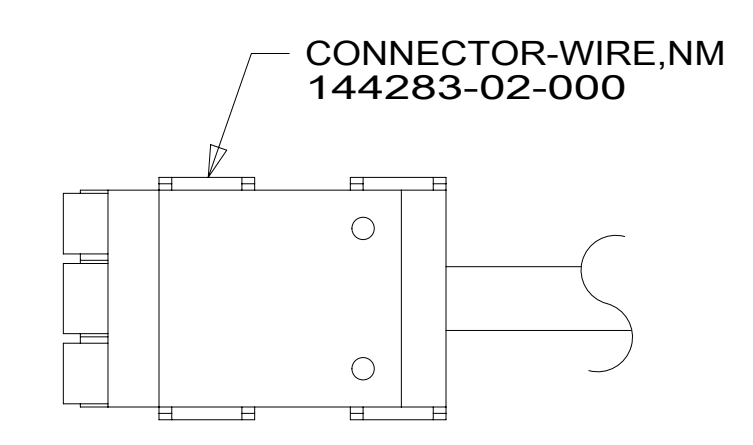
DESCRIPTION:	
1B1 265	
WIRING INSTL-BODY, 110V	
SHEET:	ITEM/PART NO. REV
2 OF 4	000042798 / 32194801000



DETAIL CA

RED	1B1	136135-07-061	
	265	136136-07-061	
YEL	1B1	136131-05-027	9
	265	136134-05-027	9
BLK	1B1	136131-06-045	
	265	136134-06-045	
BLU	1B1	136131-02-152	
	265	136134-02-152	
WHT	1B1	136135-09-030	
	265	136136-09-030	
ORG	1B1	136131-16-030	
	265	136134-16-030	
MAIN	1B1	136137-01-025	
	265	136138-01-025	
GROUND MAIN		136145-05-020	4
MAIN EXTENSION	1B1	136137-01-030	
	265	136138-01-030	
CORD-POWER ASM		183140-01-000	5
GROUND ATS		136145-05-020	4
THROW IN WIRE #1	1B1	136131-05-067	9
	265	136134-05-067	9

- 9 SEE DETAIL CB FOR CONNECTOR INSTALLATION.
 - 8 CONNECT INVERTER INPUT TO LOAD CENTER, INVERTER TO LOADS (RCP-BED OVHD & RCP-TV).
 - 7 CONNECT ORG CABLE TO RED (+) TERMINAL, WHITE CABLE TO WHITE (-) TERMINAL.
 - 6 PLUG TRANSFER SWITCH INTO OUTLET IN INVERTER FRONT.
 - 5 DO NOT HI-POT POWER CORD, LED INDICATOR LIGHT MAY FAIL.
 - 4 GROUND WIRES TO BE INSTALLED ON MFG LINE. SHIP GROUND WIRES LOOSE WITH LOAD CENTER.
3. SEE WIRING INSTL-BODY, 12V FOR ADDITIONAL INFORMATION.
 2. SECURE WIRES TO BACKSIDE OF LOAD CENTER WITH WIRE TIE 116673-01-000.
 1. ALL GROUNDS WIRES TO BE COVERED WITH TUBING 8041-02-000.



DETAIL CB

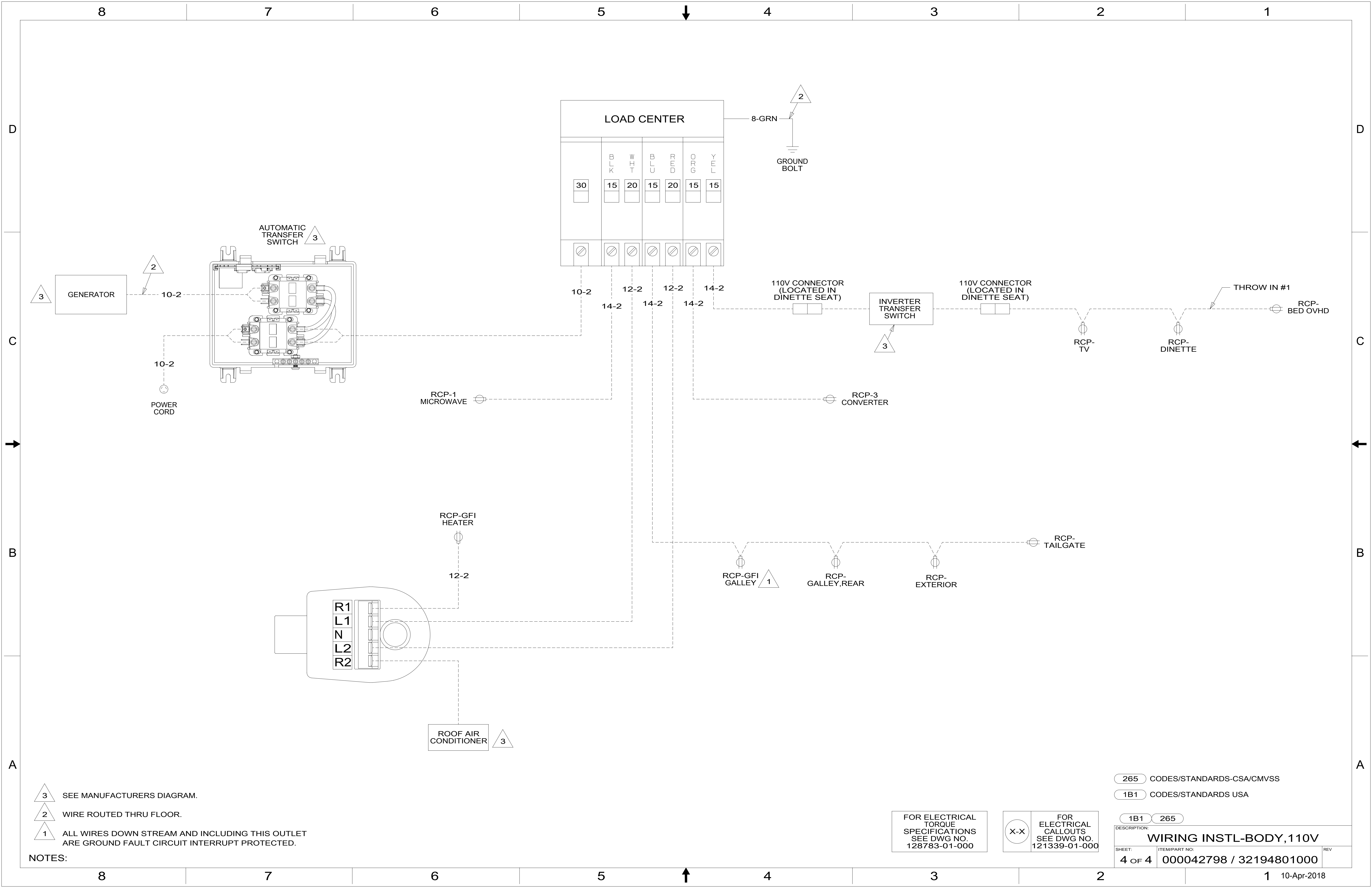
FOR ELECTRICAL TORQUE SPECIFICATIONS SEE DWG NO. 128783-01-000

FOR ELECTRICAL CALLOUTS SEE DWG NO. 121339-01-000

265 CODES/STANDARDS-CSA/CMVSS
1B1 CODES/STANDARDS USA

DESCRIPTION: 1B1 265
WIRING INSTL-BODY, 110V

SHEET: 3 OF 4 ITEM/PART NO.: 000042798 / 32194801000 REV



- NOTES:**
- 3 SEE MANUFACTURERS DIAGRAM.
 - 2 WIRE ROUTED THRU FLOOR.
 - 1 ALL WIRES DOWN STREAM AND INCLUDING THIS OUTLET ARE GROUND FAULT CIRCUIT INTERRUPT PROTECTED.

FOR ELECTRICAL TORQUE SPECIFICATIONS SEE DWG NO. 128783-01-000

FOR ELECTRICAL CALLOUTS SEE DWG NO. 121339-01-000

265 CODES/STANDARDS-CSA/CMVSS
 1B1 CODES/STANDARDS USA

DESCRIPTION: WIRING INSTL-BODY, 110V	
SHEET: 4 OF 4	ITEM/PART NO.: 000042798 / 32194801000
REV	