

REVISION NOTES					
LEVEL	DATE	DESCRIPTION OF CHANGE	DRWN	CHKD	APRVD
02A	1/16/2017	ORIGINAL DRAWING	TC		

MATERIALS USED	
PLBM2111	1
WHM2111	1
WHM2111-2	1
K101	3
HWRLCBSR1	4

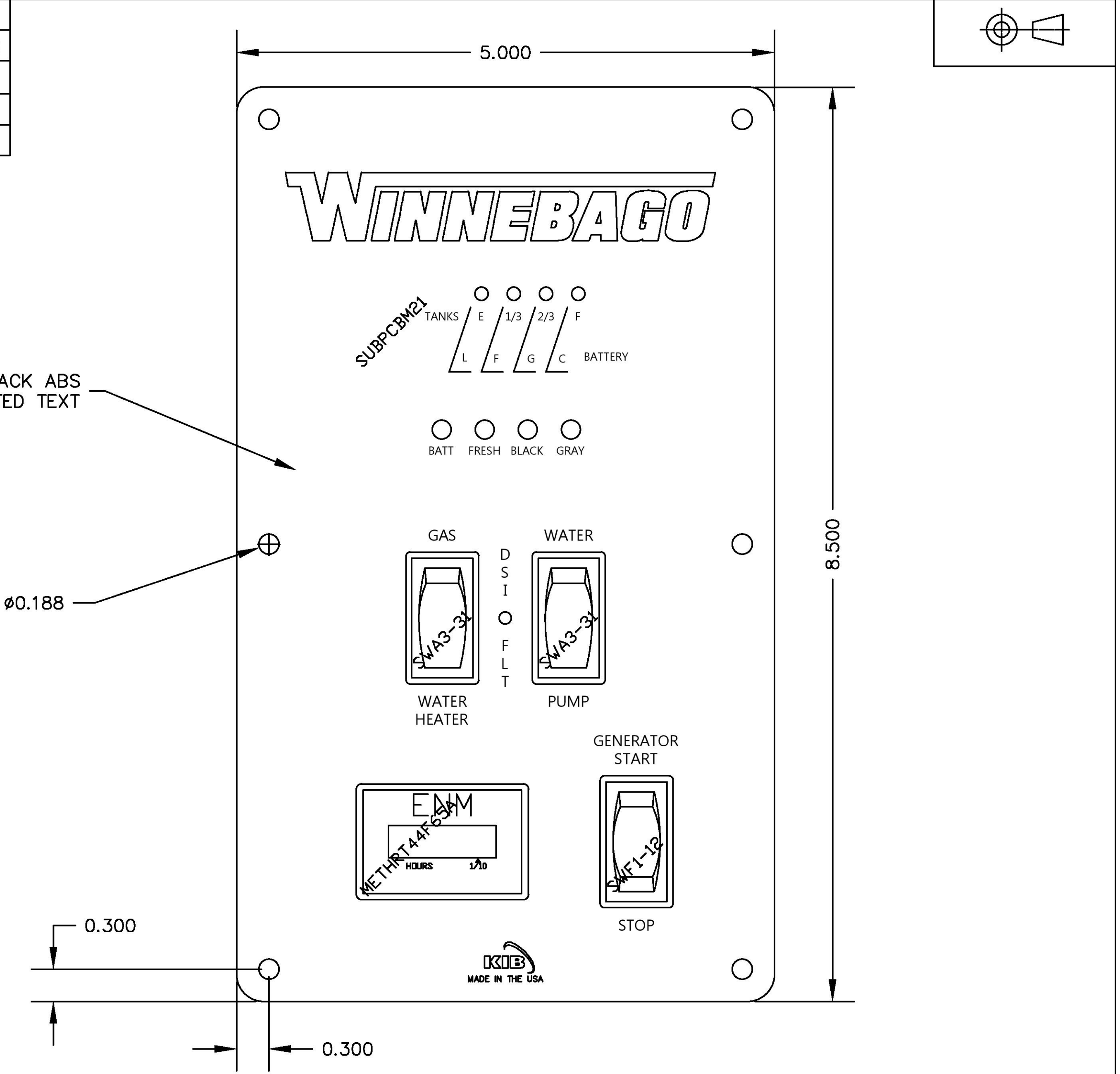
Your approval is required. No further work can be done until we receive your approval or revision instructions.
 X _____ Date: _____

KIB enterprises corp., claims proprietary rights in the information disclosed hereon. This drawing is furnished in confidence on the express understanding that neither it nor any reproduction thereof be disclosed to others for the purpose of manufacture or procurement of the article or part shown hereon. KIB enterprises corp., claims proprietary rights in the information disclosed hereon. This drawing is furnished in confidence on the express understanding that neither it nor any reproduction thereof be disclosed to others for the purpose of manufacture or procurement of the article or part shown hereon.

ALL DIMENSIONS IN INCHES
 TOLERANCE +/- 0.015 ALL DIMENSIONS
 SCALE 0.8869:1
 PLOT DATE/TIME: 1/16/2017 6:40 PM



PART NUMBER: M2111
 TITLE: M2111_r02A
 PRINTED CONV. CENTER - WINNEBAGO
 TPS# 007637-00 SHEET 1 OF 1 SIZE: ANSI B



FRONT ENGRAVE BLACK ABS WITH PRINTED TEXT

0.188

0.300

0.300

- 2. VENDOR: KIB ENTERPRISES INV.
- 1. THIS COMPONENT WILL BE USED IN A MOTOR VEHICLE.

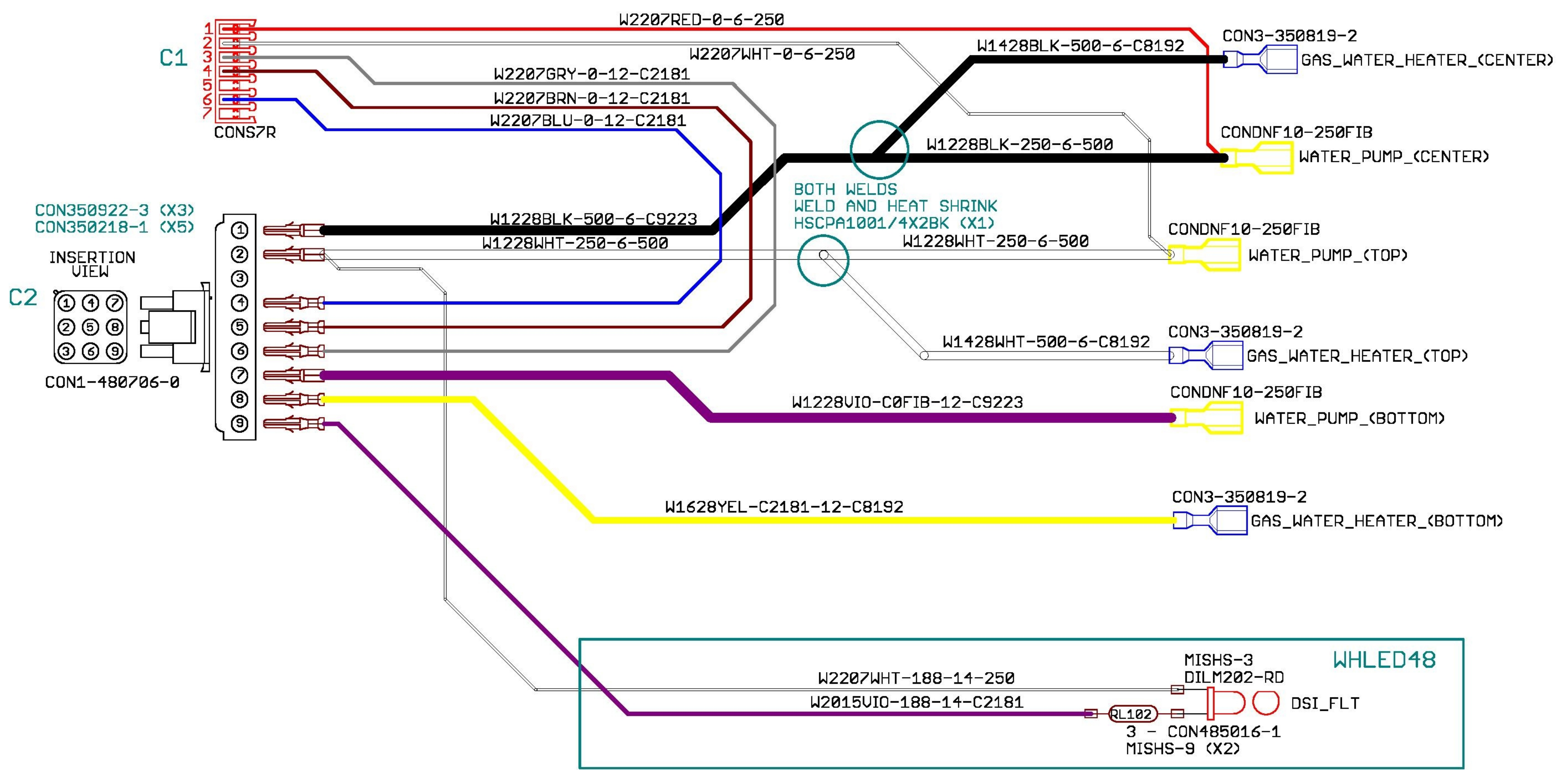
NOTES:

SEE CHART
 FOR COLOR VARIATIONS OF THIS PART

WINNEBAGO
 COPYRIGHT 2016 WINNEBAGO INDUSTRIES, INC.

DSNR:		ALL DIMENSIONS ARE IN MILLIMETERS	
DFFR:		MATERIAL:	
UNSPECIFIED TOLERANCES:			
WHOLE DIM (X)	: 3		
ONE-PLACE (X.X)	: 1.5		
TWO-PLACE (X.XX)	: 0.50		
ANGLE	: 1°		
REFER TO ES0018 FOR FASTENER TIGHTENING GUIDELINES	WEIGHT: (LBS)	FIRST USED:	
	0.48	18 V-SER	
DESCRIPTION: PANEL-MONITOR, 2TK,WH,GEN,WTR PMP,W/O LP			
SHEET:	ITEM/PART NO:	REV	
1 OF 3	000040605 / 31948201CHT		
REF:			

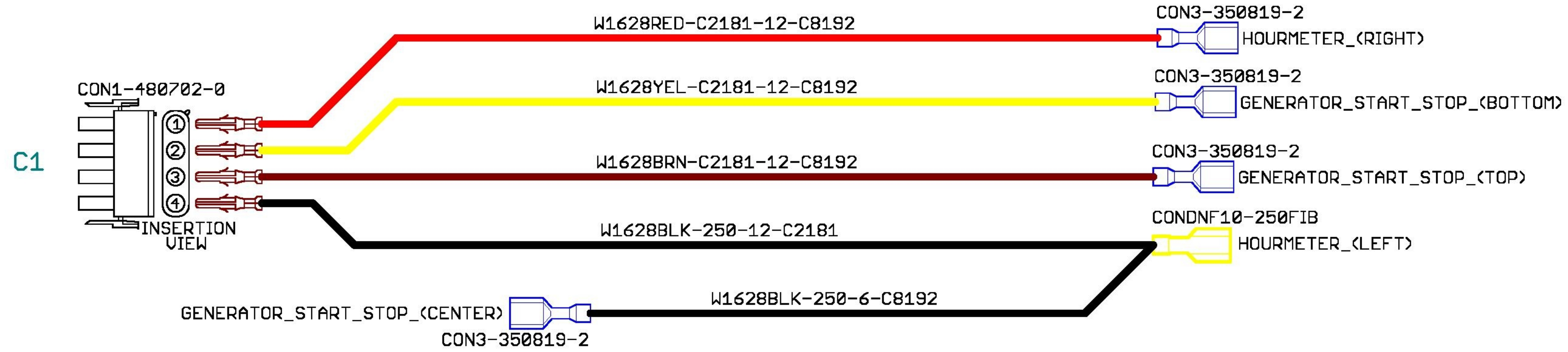
REVISION NOTES					
REV	DATE	DESCRIPTION	DRWN	CHCK	APPR
01A	11-22-16	ORIGINAL DRAWING	TC		



	Title: WHM2111_r02A_WH	Paper Sizes
	1/16/2017 6:39:01 PM	
	Drawn By: THOMAS COCKEY	
	MONITOR / UTILITIES HARNESS	
Date: not saved!	Sheet: 1/1	

DESCRIPTION: PANEL-MONITOR, 2TK,WH,GEN,WTR PMP,W/O LP		
SHEET: 2 OF 3	ITEM/PART NO: 000040605 / 31948201CHT	REV
		1 05-Jun-2018

REVISION NOTES					
REV	DATE	DESCRIPTION	DRWN	CHCK	APPR
01A	11-22-16	ORIGINAL DRAWING	TC		



	Title: WHM2111-2_r01A_WH	
	11/22/2016 1:23:23 PM	Paper Size:
	Drawn By: THOMAS COCKEY	
	GENERATOR HARNESS	
Date: not saved!		Sheet: 1/1

DESCRIPTION: PANEL-MONITOR, 2TK,WH,GEN,WTR PMP,W/O LP		
SHEET: 3 OF 3	ITEM/PART NO: 000040605 / 31948201CHT	REV