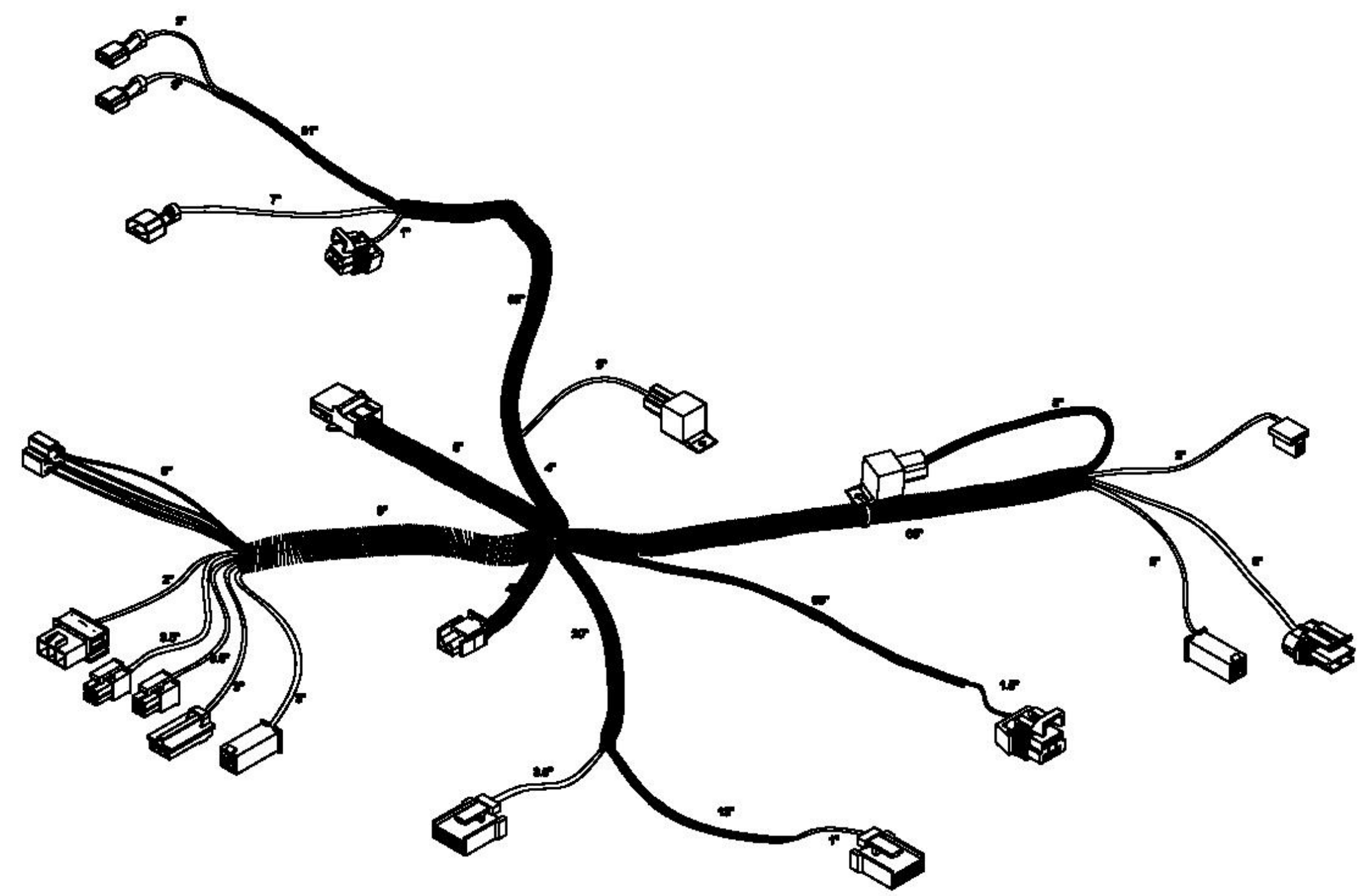
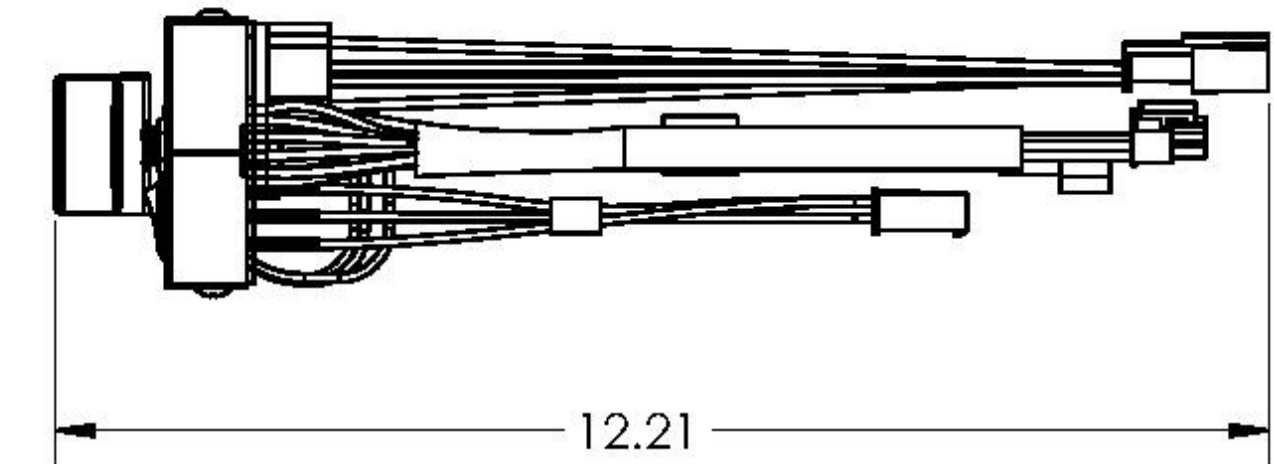
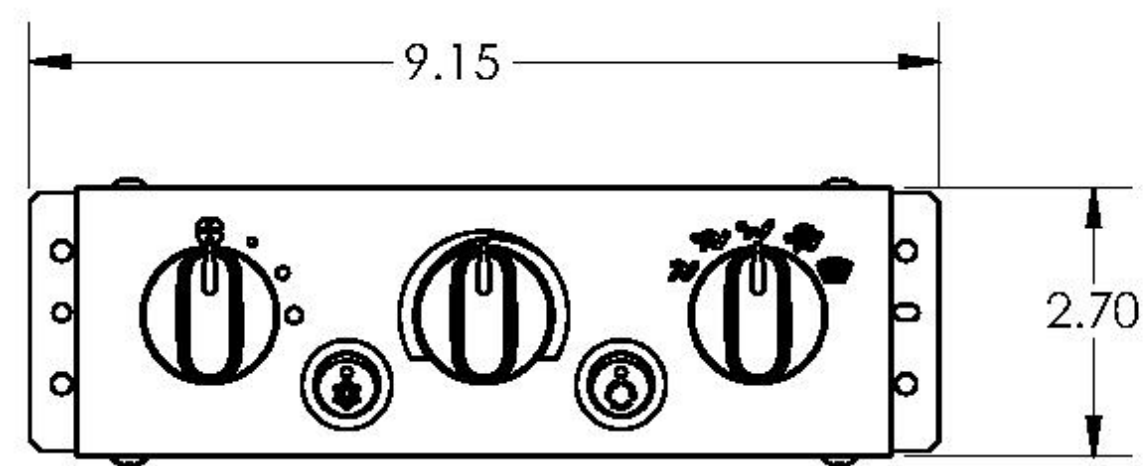
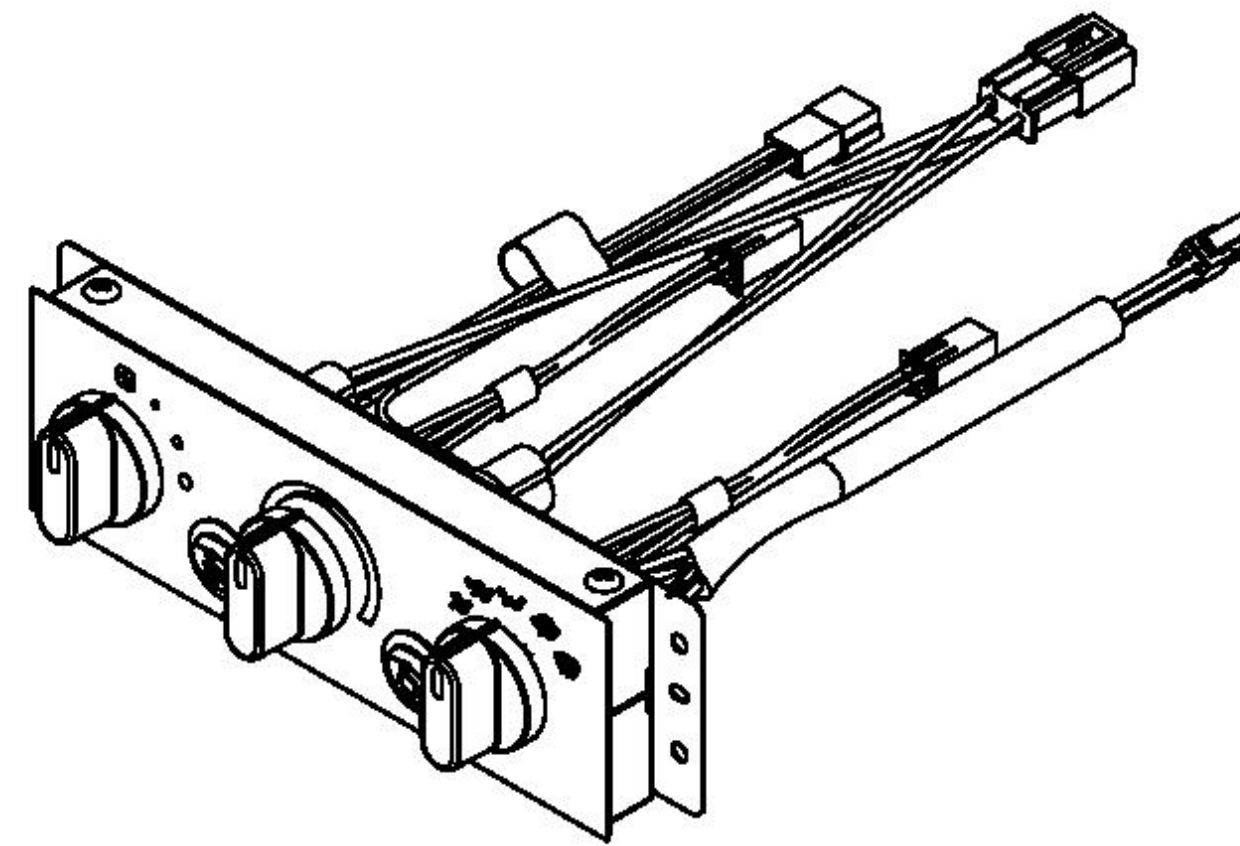


DWG. NO.  
**70-08472**

SCALE: NTS      SHEET 1 OF 1

REV



**PROPRIETARY AND CONFIDENTIAL**  
THE INFORMATION CONTAINED IN THIS DRAWING IS THE SOLE PROPERTY OF VICTORY CLIMATE SYSTEMS, LLC. ANY REPRODUCTION IN PART OR AS A WHOLE WITHOUT THE WRITTEN PERMISSION OF VICTORY CLIMATE SYSTEM, LLC IS PROHIBITED.

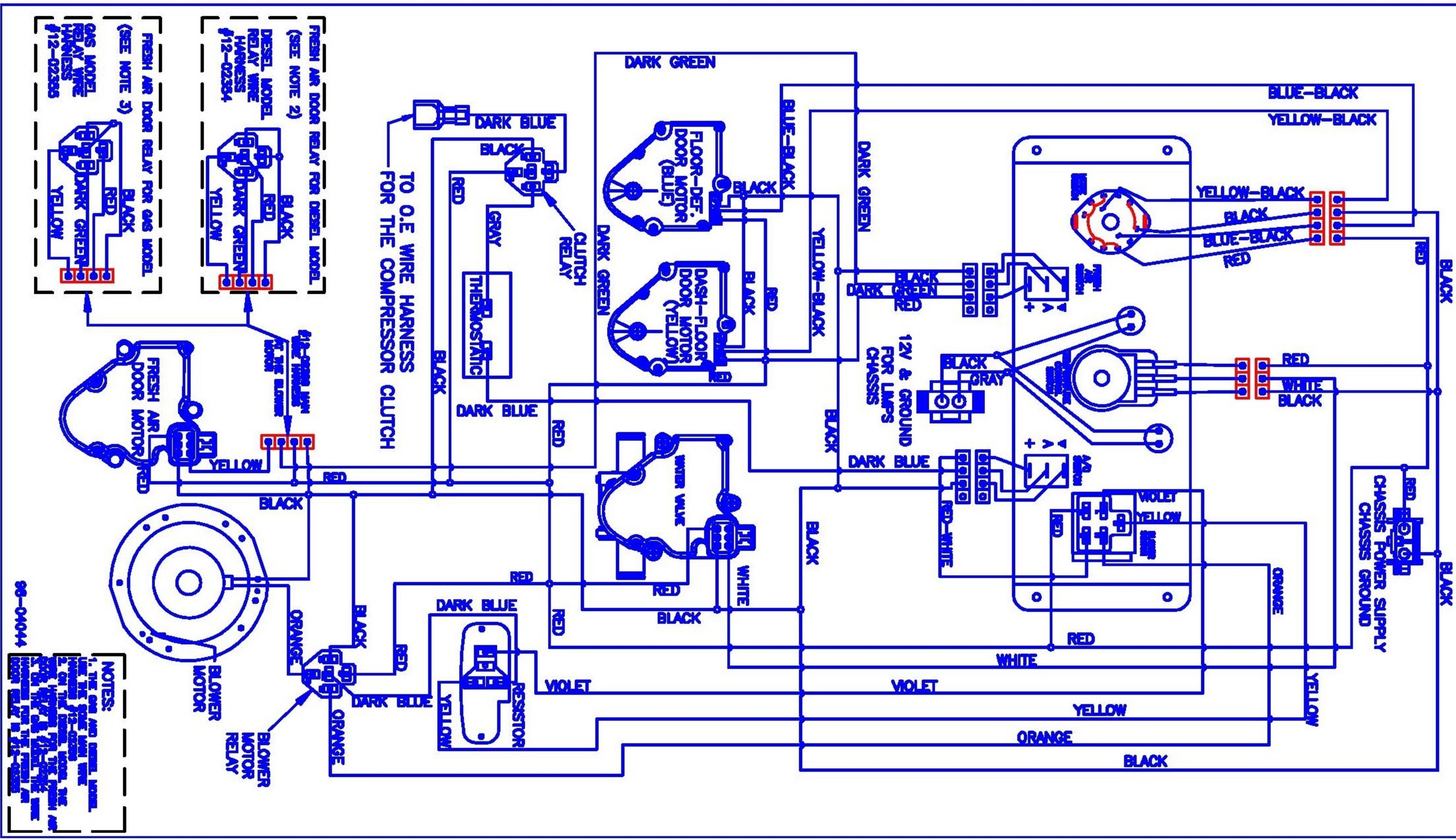
RELEASED FOR QUOTATION	UNLESS OTHERWISE SPECIFIED: DIMENSIONS ARE IN INCH (REF) DO NOT SCALE DRAWING TOLERANCES (H): DECIMAL:    ANGULAR: X .3            2° XX .03 XXX .010	THIRD ANGLE PROJECTION		Victory Climate Systems, LLC Fort Worth, Texas 76140    victoryclimatesystems.com	
DATE		APPROVALS	DATE	TITLE: <b>CONTROL PANEL</b> 311432-01-00	
NAME	INTERPRET GEOMETRIC TOL PER: ASME Y14.5-1982		3/18/16	DWG. NO. <b>70-08472</b>	REV
RELEASED FOR PRODUCTION	MATERIAL	CHECKED	3/18/16	SCALE: NTS	SHEET 1 OF 1
DATE	FINISH	<i>RT</i>			
NAME	FILE SAVE NAME: 311432-01-00 (70-08472) OUTLINE CONTROL PANEL ASSY SM				

NOTES:  
1. THIS COMPONENT WILL BE USED IN A MOTOR VEHICLE.

**WINNEBAGO**  
COPYRIGHT 2016 WINNEBAGO INDUSTRIES, INC.

DSNR:	ALL DIMENSIONS ARE IN MILLIMETERS	
DIFFR:	MATERIAL:	
UNSPECIFIED TOLERANCES:	WEIGHT: (LBS)	FIRST USED:
WHOLE DIM (X) :		<b>16 A-SER</b>
ONE-PLACE (X.X) :		
TWO-PLACE (X.XX) :		
ANGLE :		
REFER TO ES0018 FOR FASTENER TIGHTENING GUIDELINES		
DESCRIPTION:	<b>PANEL-CONTROL, HORZ W/HARN - GAS/DIESEL</b>	
SHEET: 1 OF 2	ITEM/PART NO: 000012213 / 31143201000	REV
	REF: 1	24-Jan-2019

# WINNEBAGO WIRING DIAGRAM FOR GAS AND DIESEL MODEL



**NOTES:**

1. THE GAS AND DIESEL MODEL, USE THE SAME WIRE HARNESS #12-02354.
2. ON THE DIESEL MODEL, THE GAS HARNESS FOR THE FRESH AIR DOOR RELAY IS THE SAME AS ON THE GAS MODEL. THE HARNESS FOR THE FRESH AIR DOOR RELAY IS #12-02355.

98-04044