

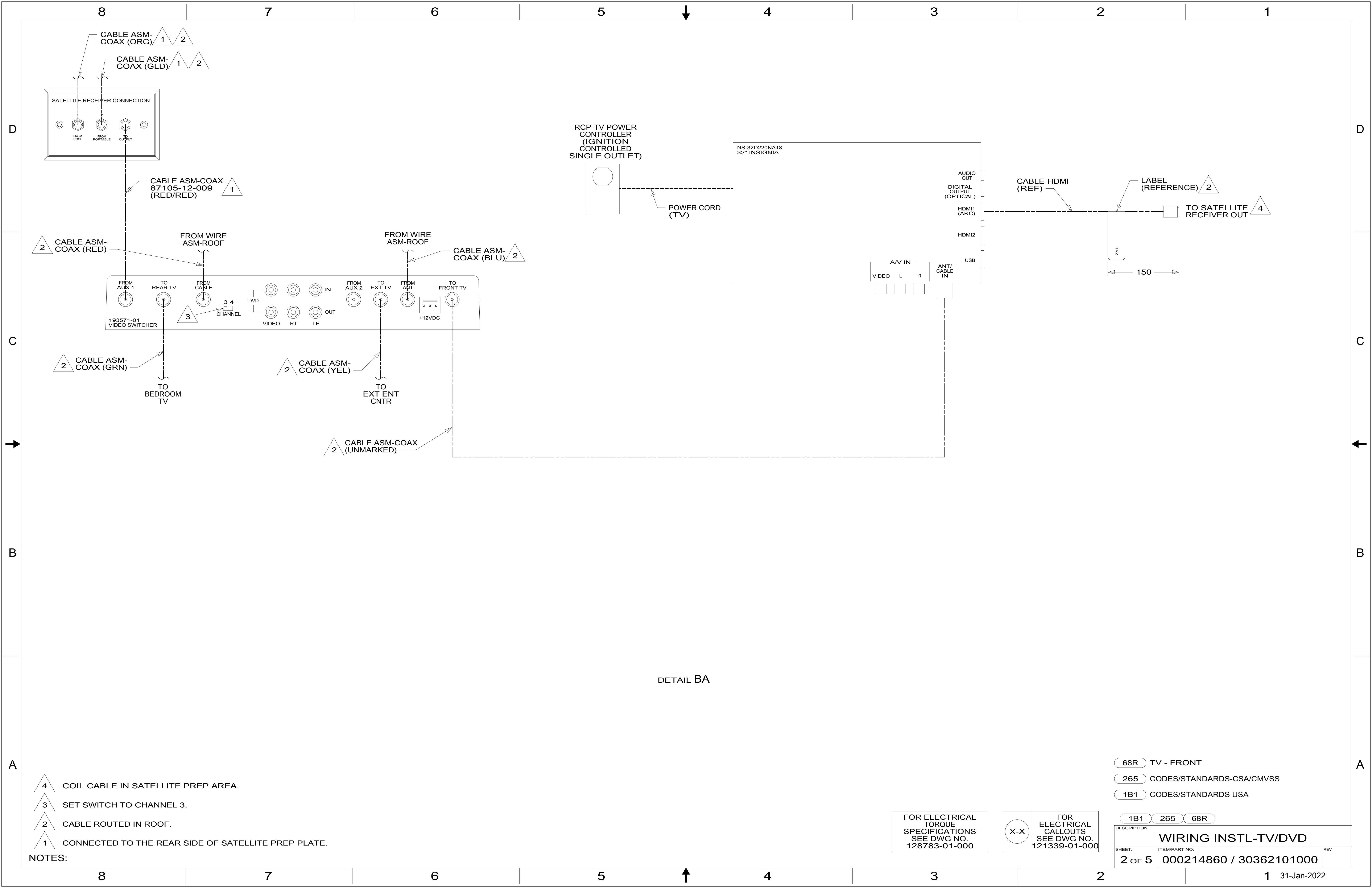
- 6 PREP BOTH SURFACES WITH ADHESIVE-PROMOTER, 087211-01-000.
- 5 ATTACH TO STICK WORK USING BRACKETS AND SCREWS THAT COME WITH CONVERTER.
- 4 TAPE IR TRANSMITTER TO BACK OF PANEL-COVER,BRACKET USING TAPE 8363-01-000.
3. WHERE WIRES PASS THROUGH HOLES IN STEEL AND NOT OTHERWISE PROTECTED, USE GROMMET 92908-02-000.
2. ALL WIRES TO BE SECURED WITH CLAMP 10495-01-000 OR CLIP 80734-01-000 EVERY 600MM. USE SCREW G67-10-12U UNLESS OTHERWISE SPECIFIED.
1. 110V WIRE TO BE CLAMPED WITH CLAMP 10497-05-000 WITHIN 200MM OF OUTLET BOXES, USE SCREW G67-10-12U.

- 21R DINING/BUFFET/POWERED TV
- 68R TV - FRONT
- 265 CODES/STANDARDS-CSA/CMVSS
- 1B1 CODES/STANDARDS USA

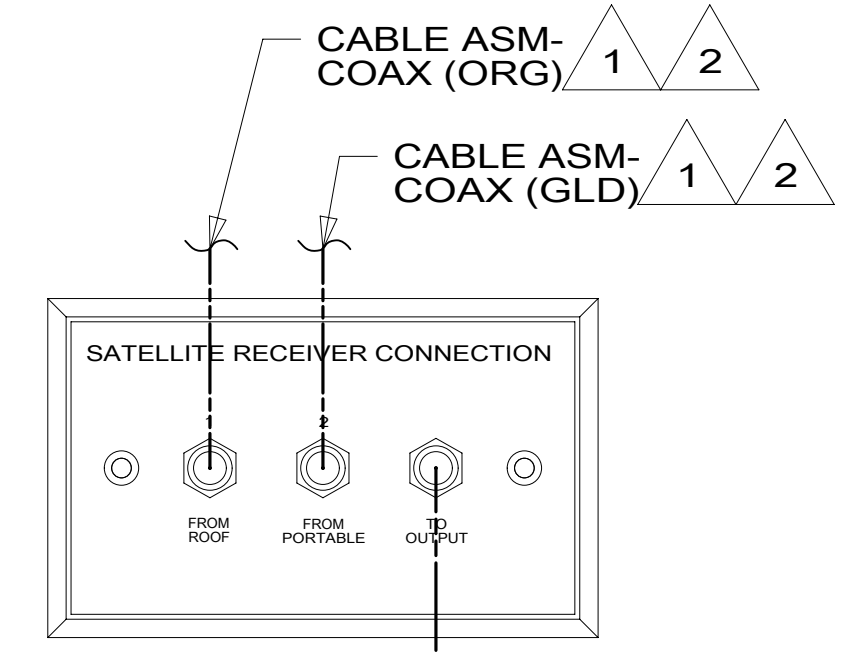
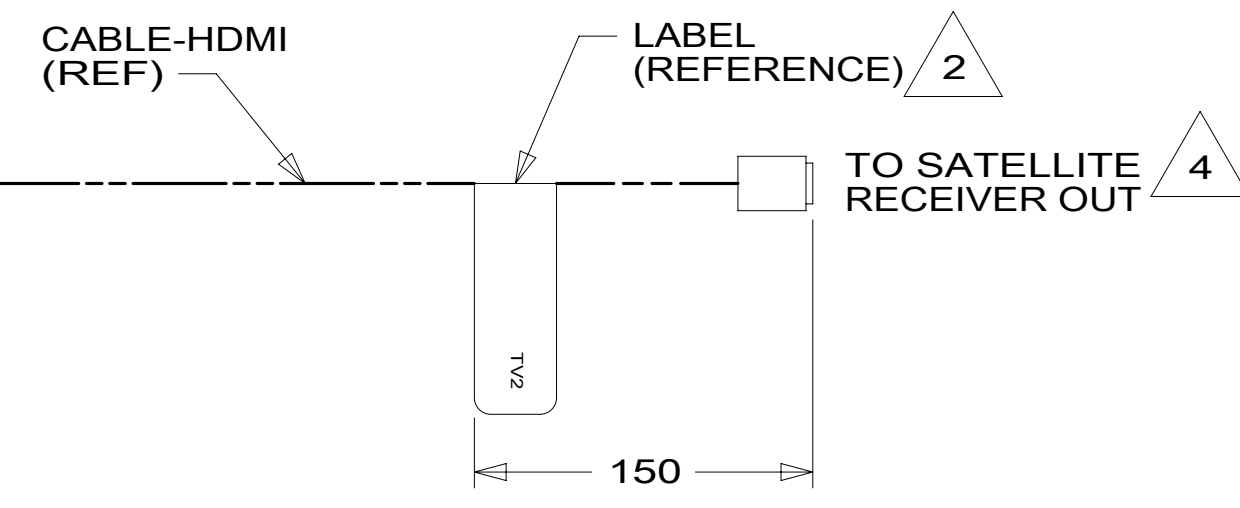
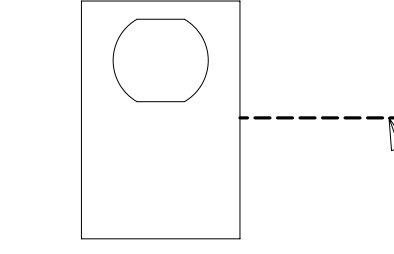
<b>WINNEBAGO</b> COPYRIGHT 2016 WINNEBAGO INDUSTRIES, INC.	
DSNR:	ALL DIMENSIONS ARE IN MILLIMETERS
DFFR:	
UNSPECIFIED TOLERANCES:	MATERIAL:
WHOLE DIM (X) : 3	
ONE-PLACE (X.X) : 1.5	
TWO-PLACE (X.XX) : 0.50	
ANGLE : 1°	
REFER TO ES0018 FOR FASTENER TIGHTENING GUIDELINES	WEIGHT: (LBS) FIRST USED: <b>17 E30T</b>
<b>DESCRIPTION:</b> <b>WIRING INSTL-TV/DVD</b>	
SHEET: <b>1 OF 5</b>	ITEM/PART NO: <b>000214860 / 30362101000</b>
REF: <b>1 31-Jan-2022</b>	

FOR ELECTRICAL TORQUE SPECIFICATIONS SEE DWG NO. 128783-01-000

FOR ELECTRICAL CALLOUTS SEE DWG NO. 121339-01-000



RCP-TV POWER CONTROLLER (IGNITION CONTROLLED SINGLE OUTLET)



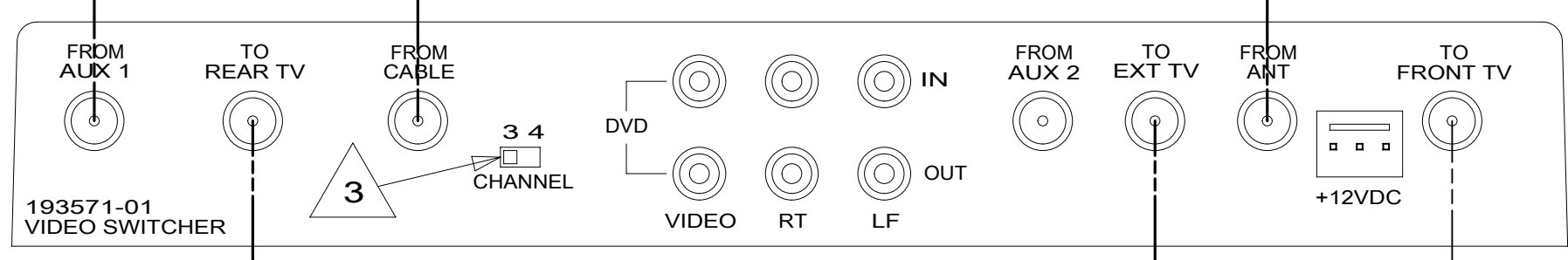
CABLE ASM-COAX 87105-12-009 (RED/RED) 1

CABLE ASM-COAX (RED) 2

FROM WIRE ASM-ROOF

FROM WIRE ASM-ROOF

CABLE ASM-COAX (BLU) 2



CABLE ASM-COAX (GRN) 2

TO BEDROOM TV

CABLE ASM-COAX (YEL) 2

TO EXT ENT CNTR

CABLE ASM-COAX (UNMARKED) 2

3 4 CHANNEL

- NOTES:
- 4 COIL CABLE IN SATELLITE PREP AREA.
  - 3 SET SWITCH TO CHANNEL 3.
  - 2 CABLE ROUTED IN ROOF.
  - 1 CONNECTED TO THE REAR SIDE OF SATELLITE PREP PLATE.

DETAIL BA

- 68R TV - FRONT
- 265 CODES/STANDARDS-CSA/CMVSS
- 1B1 CODES/STANDARDS USA

FOR ELECTRICAL TORQUE SPECIFICATIONS SEE DWG NO. 128783-01-000

FOR ELECTRICAL CALLOUTS SEE DWG NO. 121339-01-000

DESCRIPTION:		
1B1 265 68R		
WIRING INSTL-TV/DVD		
SHEET:	ITEM/PART NO.:	REV
2 OF 5	000214860 / 30362101000	

8 7 6 5 4 3 2 1

TV-24" HDTV,INSIGNIA  
 000167921 / 330227-01-000  
 PLATE ASM  
 000168018 / 330250-01-CHT  
 NUT  
 000D65-08-00U (2)  
 SCREW  
 000G19-10-10U (2)

SIDEWALL ASM-RIGHT  
 (REF)

CABINET ASM-BEDROOM  
 (REF)

CA

BRACKET-TV  
 000201589 / 302683-01-CHT  
 SCREW  
 G11-08-12U (6)  
 SCREW  
 G39-10-08U (2)  
 PLATE-MOUNTING  
 000201589 / 302643-01-CHT  
 SCREW  
 OMG02U-04-012 (4)  
 WASHER  
 OME02U-04-071 (4)

380

687

VIEW CA  
 (TV NOT SHOWN)

- 68X TV - BEDROOM
- 265 CODES/STANDARDS-CSA/CMVSS
- 1B1 CODES/STANDARDS USA

FOR ELECTRICAL  
 TORQUE  
 SPECIFICATIONS  
 SEE DWG NO.  
 128783-01-000

FOR  
 ELECTRICAL  
 CALLOUTS  
 SEE DWG NO.  
 121339-01-000

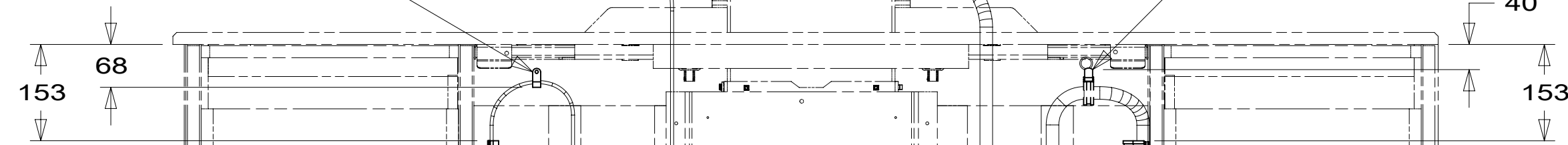
DESCRIPTION:	1B1 265 68X	
<b>WIRING INSTL-TV/DVD</b>		
SHEET:	ITEM/PART NO.:	REV
3 OF 5	000214860 / 30362101000	

8 7 6 5 4 3 2 1 31-Jan-2022

WIRE TIE IS TO BE ROUTED THROUGH HOLE IN LOWER BRACKET AS SHOWN TO PROPERLY SUPPORT CABLE ASM (2) PLACES

CLAMP-CABLE  
10495-01-000 (2)  
SCREW  
G11-08-16U (2)

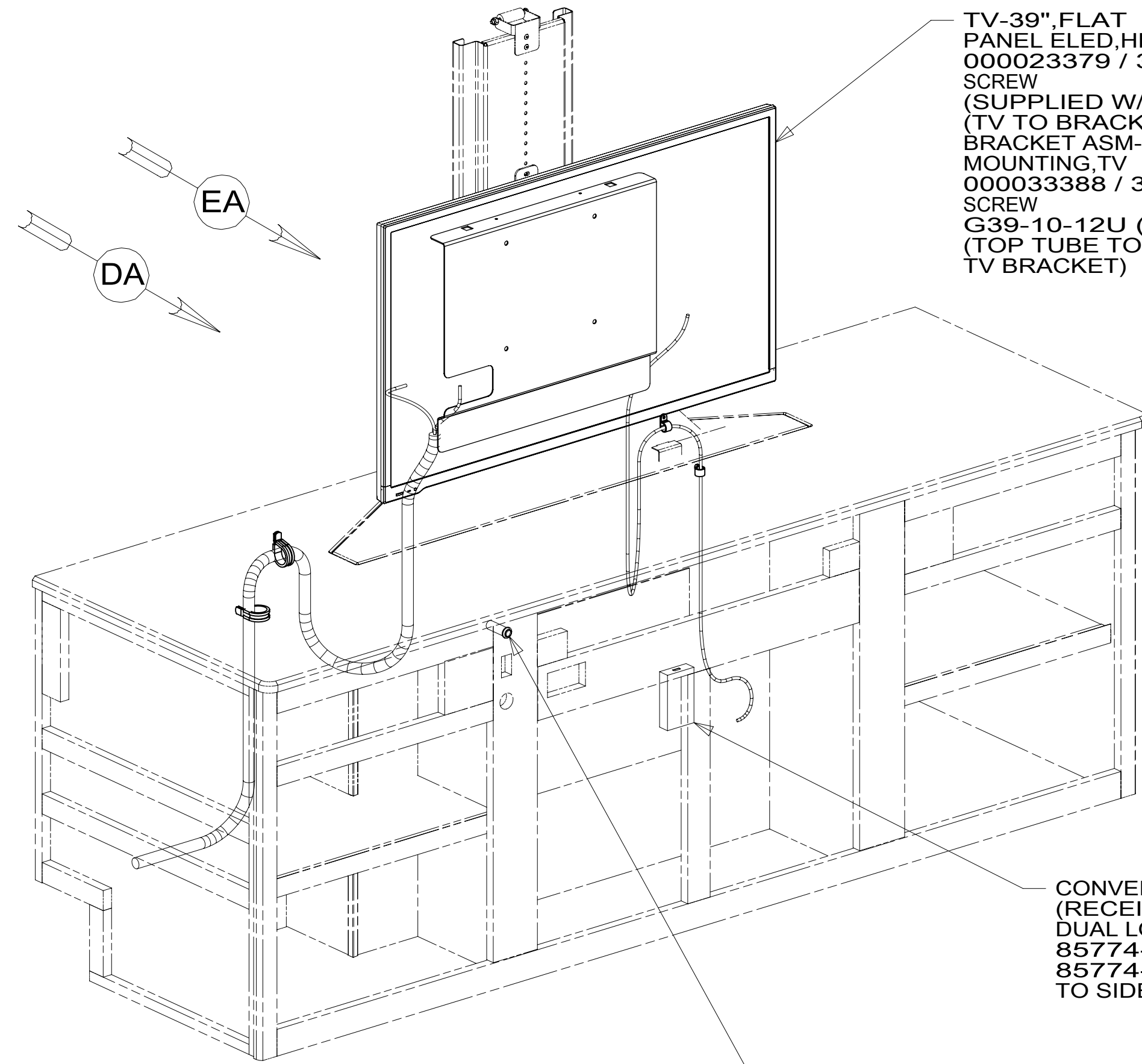
CLAMP-CLOSED  
10497-02-000 (2)  
SCREW  
G11-08-16U (2)



TV POWER CORD

WIRE ASM-COACH  
(REF)

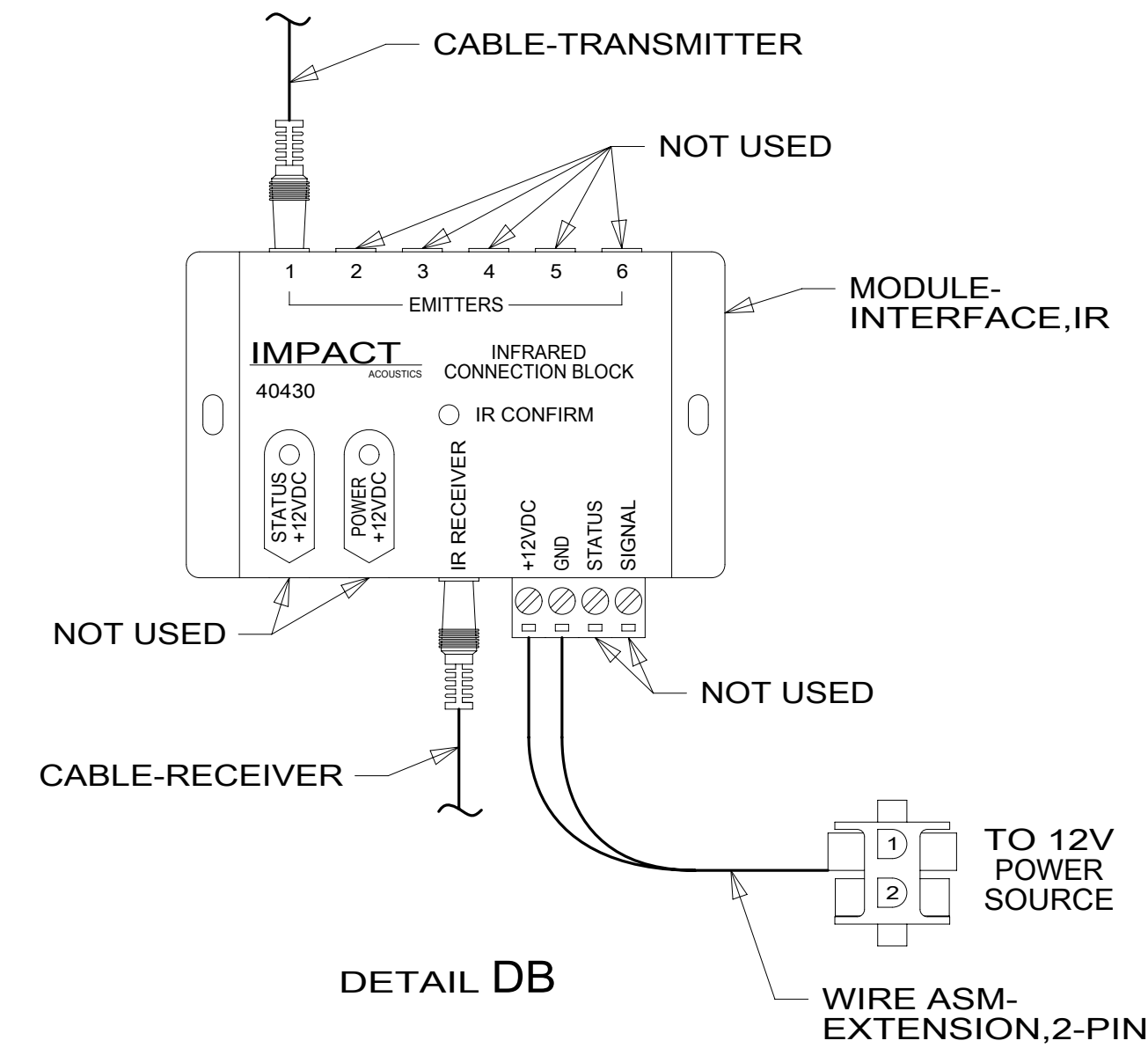
VIEW DA



TV-39" FLAT  
PANEL ELED.HDTV  
000023379 / 314833-01-000  
SCREW  
(SUPPLIED W/TV)  
(TV TO BRACKET)  
BRACKET ASM-  
MOUNTING.TV  
000033388 / 317538-01-CHT  
SCREW  
G39-10-12U (2)  
(TOP TUBE TO  
TV BRACKET)

CONVERTER-HDMI/CAT6  
(RECEIVER)  
DUAL LOCK  
85774-01-000 (50 MM) (2)  
85774-02-000 (50 MM) (2)  
TO SIDEWALL

RECEIVER-INFRARED,IMPACT  
149750-13-000



DETAIL DB

TO 12V  
POWER  
SOURCE

- 21R DINING/BUFFET/POWERED TV
- 265 CODES/STANDARDS-CSA/CMVSS
- 1B1 CODES/STANDARDS USA

FOR ELECTRICAL  
TORQUE  
SPECIFICATIONS  
SEE DWG NO.  
128783-01-000

FOR ELECTRICAL  
CALLOUTS  
SEE DWG NO.  
121339-01-000

DESCRIPTION:	1B1 265 21R	
<b>WIRING INSTL-TV/DVD</b>		
SHEET:	ITEM/PART NO:	REV
4 OF 5	000214860 / 30362101000	

NOTES:  
1 ROUTE 1 TRANSMITTER TO EACH SIDE AND COIL FOR FUTURE USE.

D

C

B

A

8

7

6

5

4

3

2

1

8

7

6

5

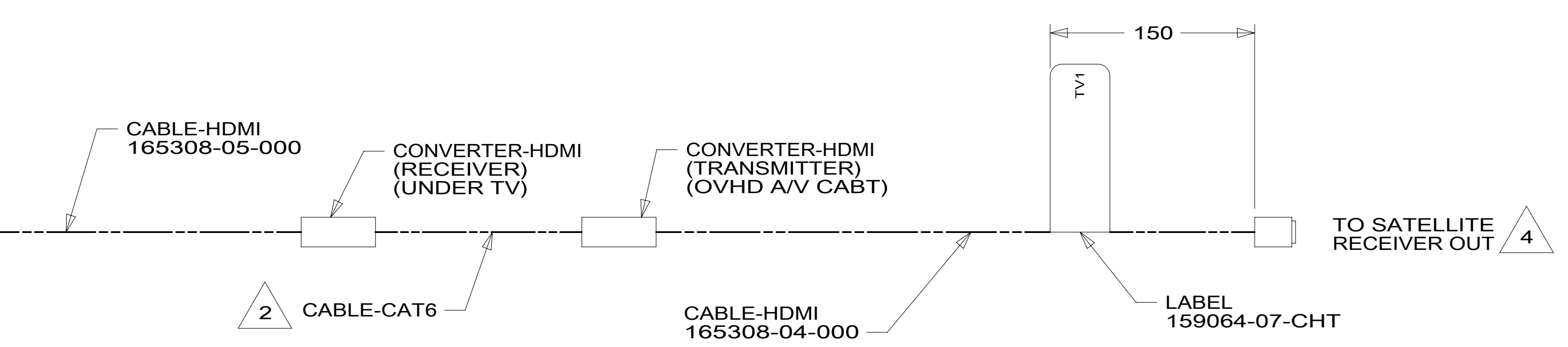
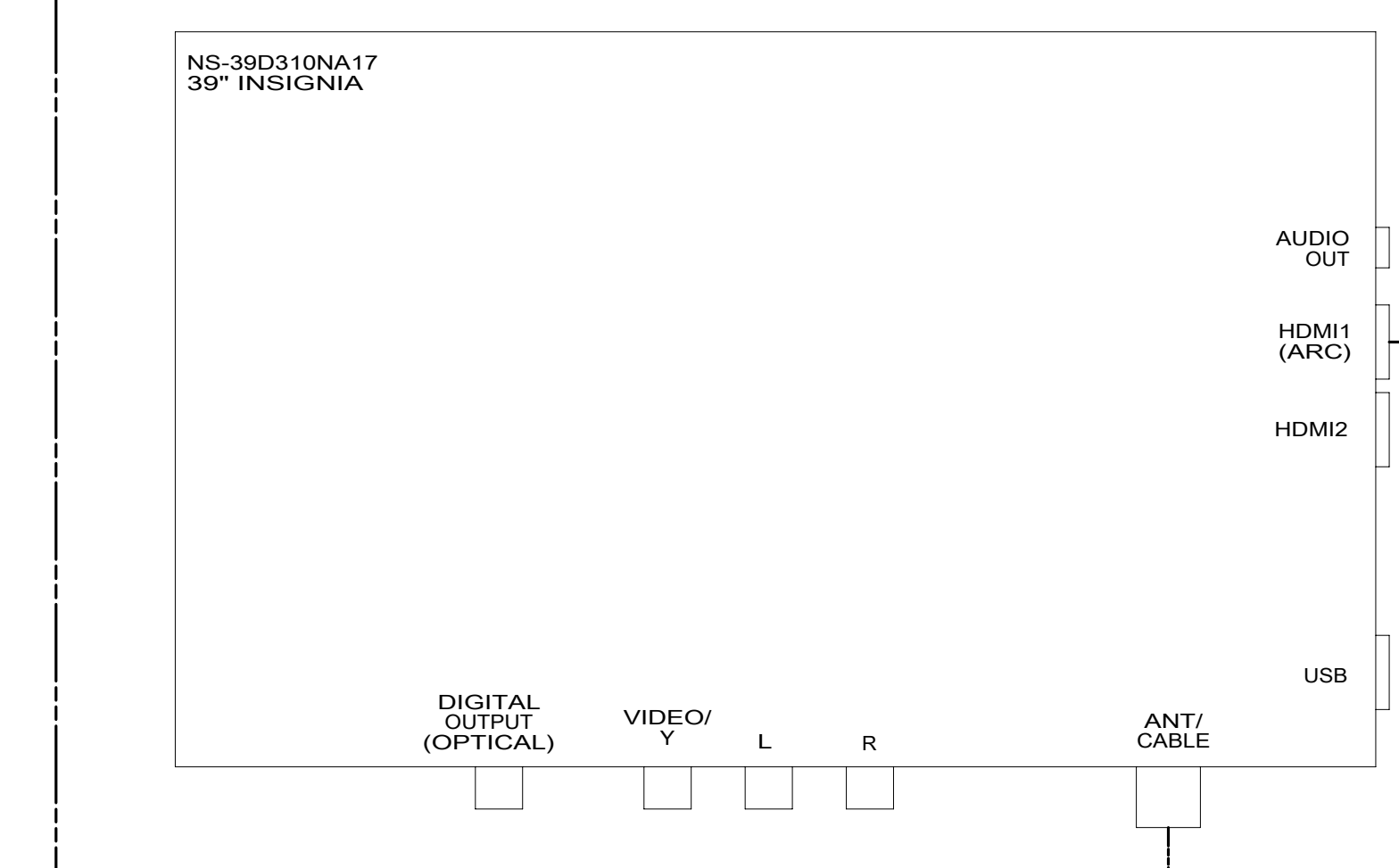
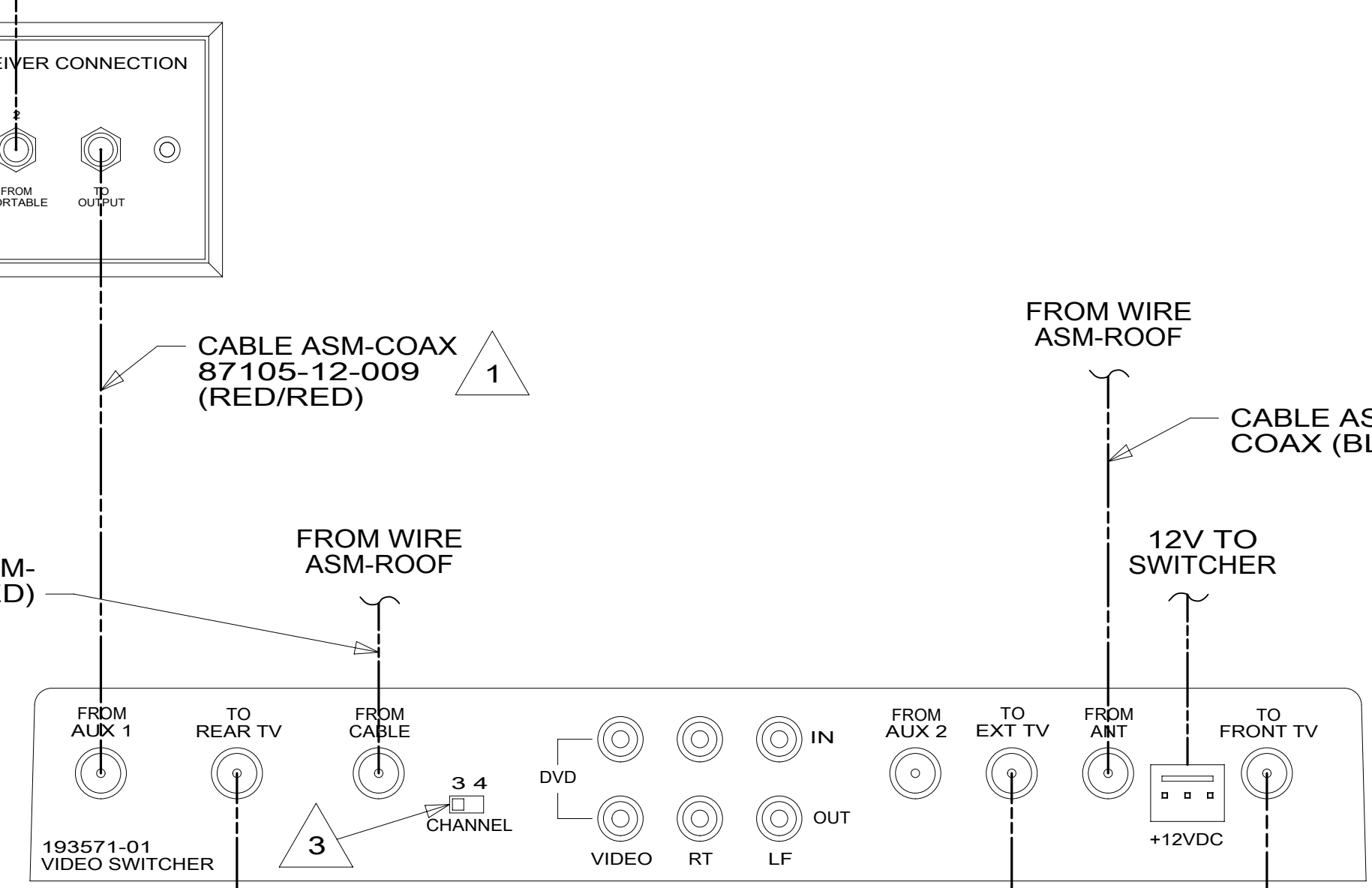
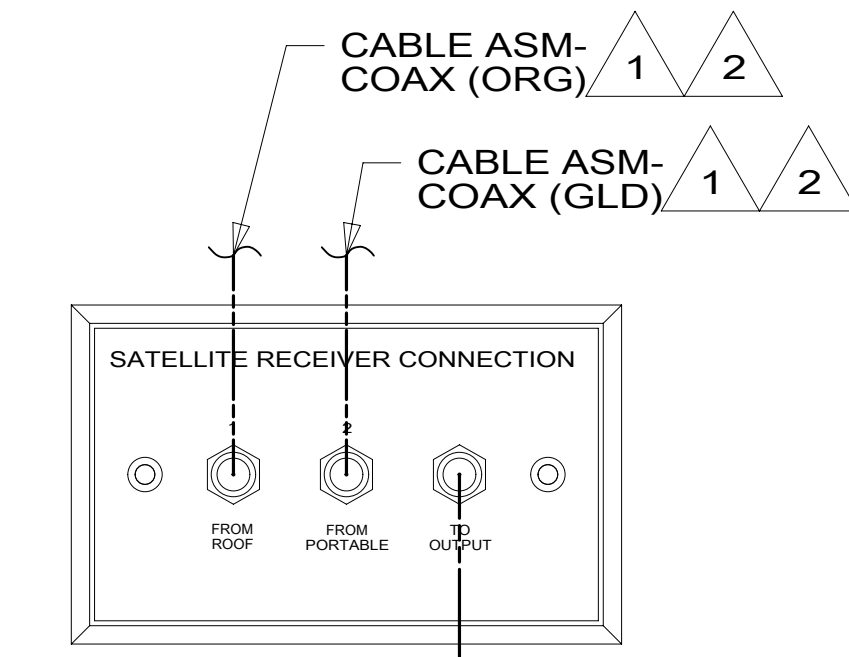
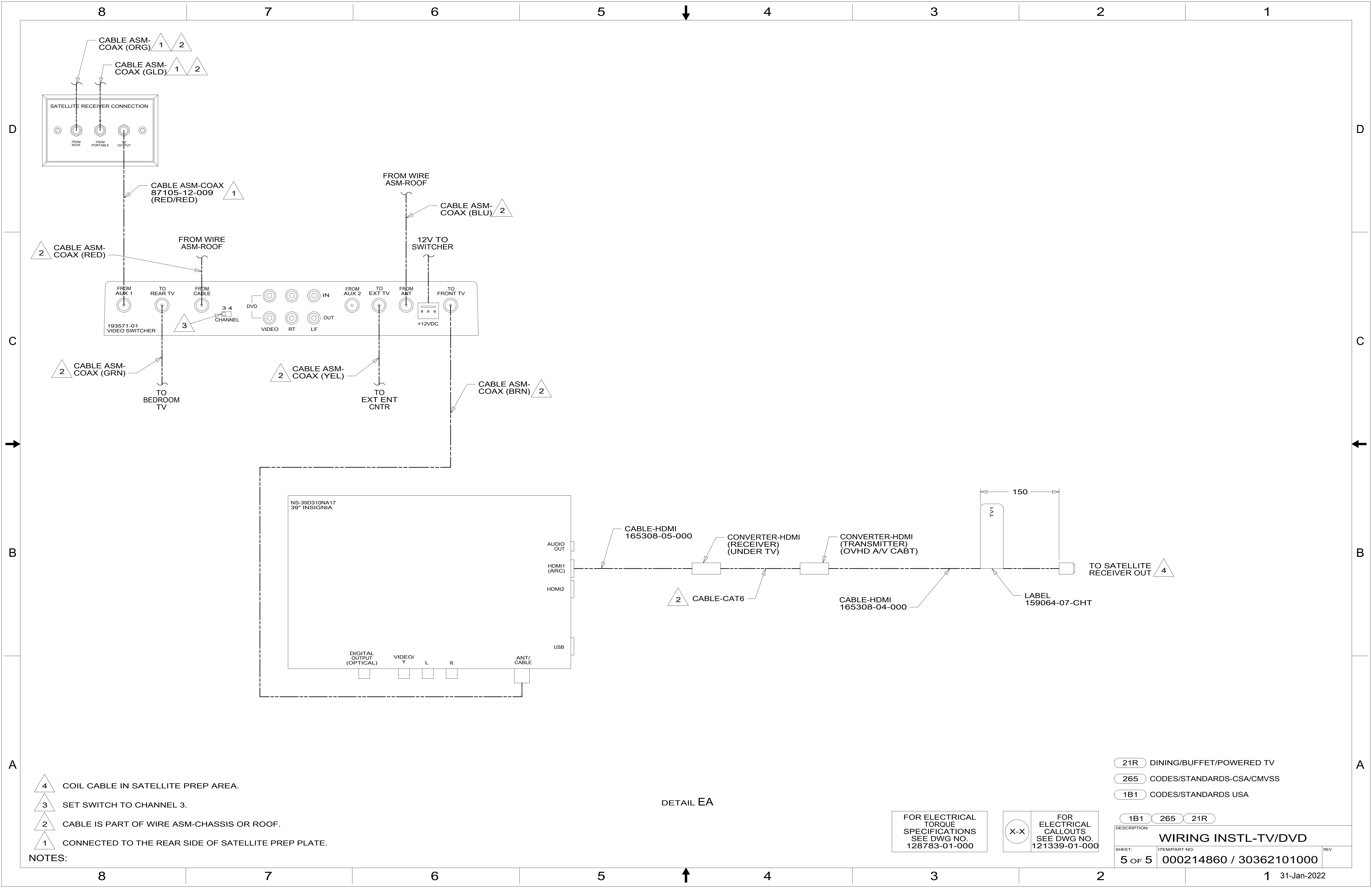
4

3

2

1

31-Jan-2022



- NOTES:
- 4 COIL CABLE IN SATELLITE PREP AREA.
  - 3 SET SWITCH TO CHANNEL 3.
  - 2 CABLE IS PART OF WIRE ASM-CHASSIS OR ROOF.
  - 1 CONNECTED TO THE REAR SIDE OF SATELLITE PREP PLATE.

- 21R DINING/BUFFET/POWERED TV
- 265 CODES/STANDARDS-CSA/CMVSS
- 1B1 CODES/STANDARDS USA

FOR ELECTRICAL TORQUE SPECIFICATIONS SEE DWG NO. 128783-01-000

FOR ELECTRICAL CALLOUTS SEE DWG NO. 121339-01-000

DESCRIPTION: 1B1 265 21R		
<b>WIRING INSTL-TV/DVD</b>		
SHEET: 5 OF 5	ITEM/PART NO: 000214860 / 30362101000	REV:

DETAIL EA