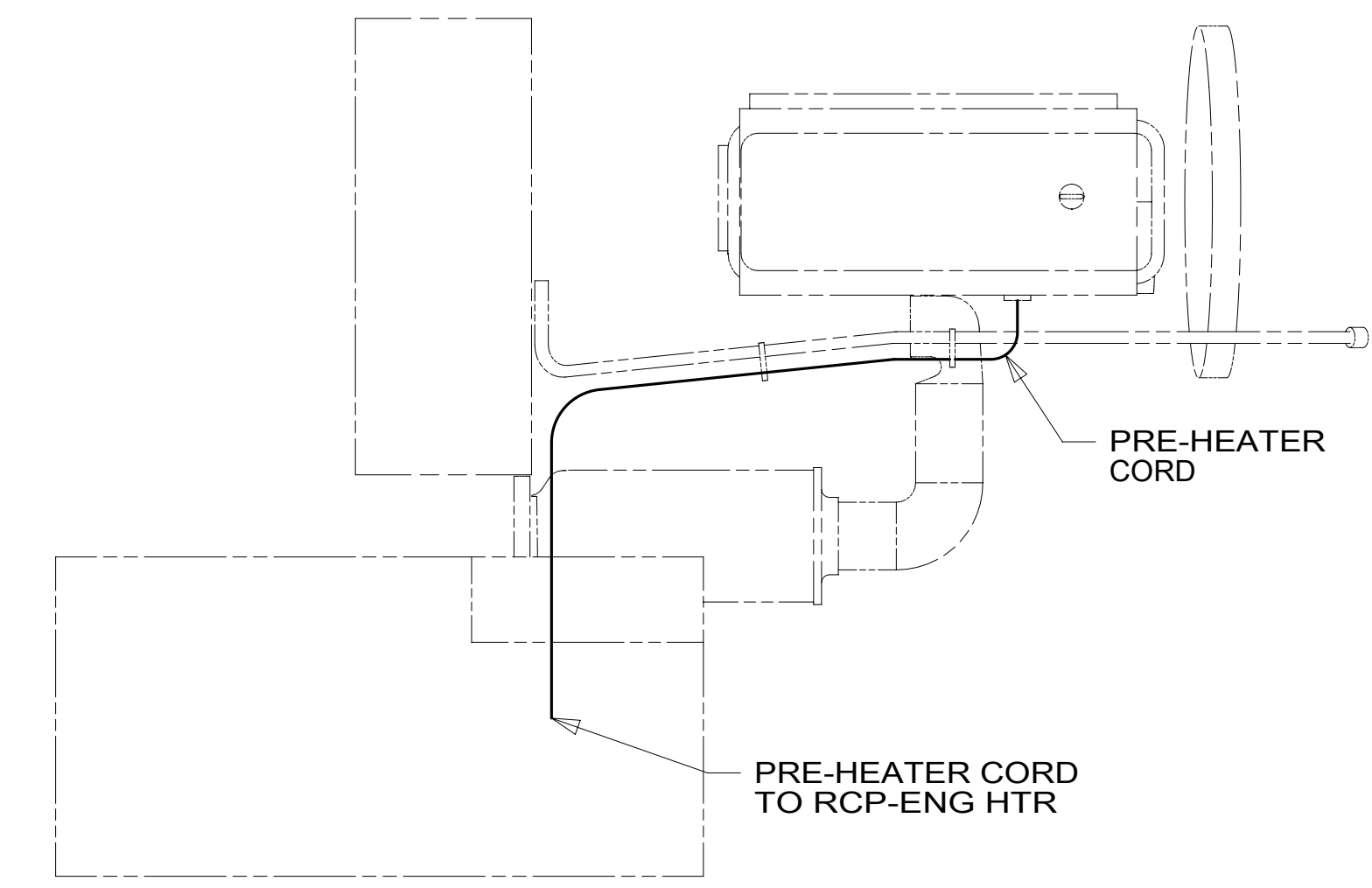


- NOTES:
- 6 CLAMP 83610-01-000, SCREW G39-08-12B
  - 5 CLAMP 10497-03-000, SCREW G39-08-12B
  - 4 USE TIE-WIRE 8343-04-000 TO SECURE WIRES TO FLOOR SUPPORT FRAME AT LEAST ONCE EVERY 600MM.
  - 3 SECURE CORD AWAY FROM ALL MOVING PARTS AND EXHAUST WITH WIRE-TIE 93147-01-000 AS REQUIRED
  - 2 SEE WIRING INSTL-FRONT END FOR ADDITIONAL INFORMATION.
  - 1 REST WIRE IN FRAME RAIL WHEN APPLICABLE.



FOR ELECTRICAL TORQUE SPECIFICATIONS SEE DWG NO. 128783-01-000

FOR ELECTRICAL CALLOUTS SEE DWG NO. 121339-01-000

- 265 CODES/STANDARDS-CSA/CMVSS
- 1B1 CODES/STANDARDS USA

<b>WINNEBAGO</b> COPYRIGHT 2016 WINNEBAGO INDUSTRIES, INC.	
DSNR:	ALL DIMENSIONS ARE IN MILLIMETERS
DIFFR:	
UNSPECIFIED TOLERANCES:	MATERIAL:
WHOLE DIM (X) :	3
ONE-PLACE (X.X) :	1.5
TWO-PLACE (X.XX) :	0.50
ANGLE :	1°
REFER TO ES0018 FOR FASTENER TIGHTENING GUIDELINES	WEIGHT: (LBS) FIRST USED: <b>17 L38W</b>
<b>WIRING INSTL-CHASSIS</b>	
SHEET: <b>1 OF 4</b>	ITEM/PART NO.: <b>000200927 / 30128301000</b>
REF:	REV:

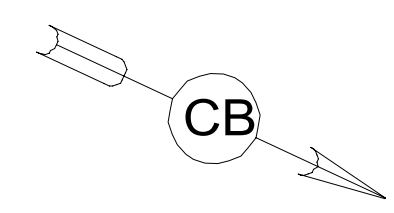
8 7 6 5 4 3 2 1

D  
C  
B  
A

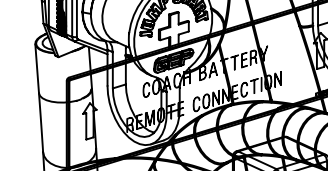
PANEL-CLOSEOUT,  
ELECTRICAL  
175347-06-CHT  
SCREW  
G11-08-12U (4)

CIRCUIT BREAKERS  
DETAIL CA

PANEL-CLOSEOUT,  
ELECTRICAL  
175347-02-CHT (2)  
SCREW  
G39-10-12U (4)



CC



FUSE BLOCK  
(CHASSIS SUPPLIED)  
(REF)

CHASSIS  
BATTERIES  
(REF)

FREIGHTLINER  
STARTER CABLE

VIEW BA

FOR ELECTRICAL  
TORQUE  
SPECIFICATIONS  
SEE DWG NO.  
128783-01-000

FOR  
ELECTRICAL  
CALLOUTS  
SEE DWG NO.  
121339-01-000

265 CODES/STANDARDS-CSA/CMVSS  
1B1 CODES/STANDARDS USA

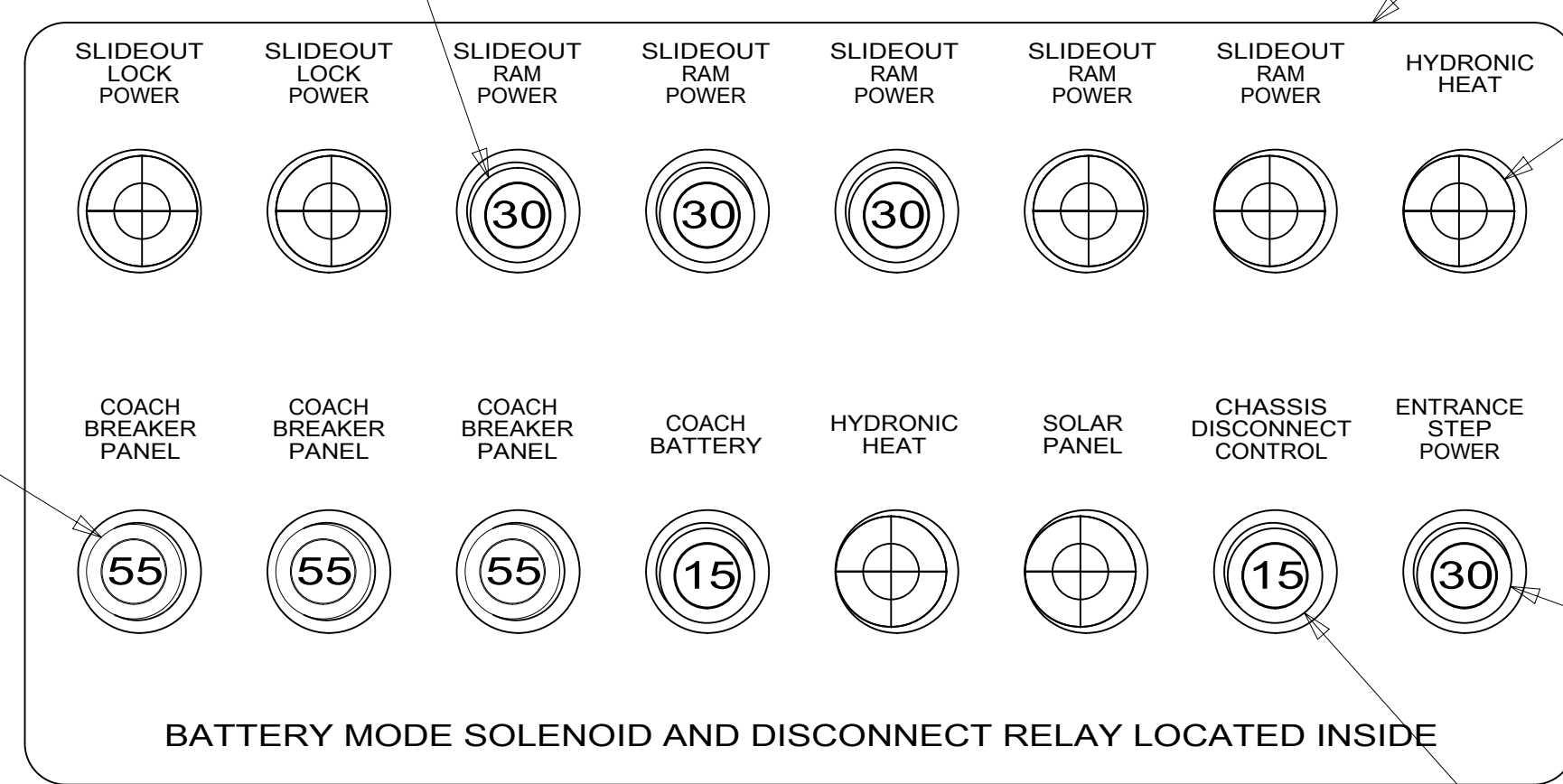
DESCRIPTION:		1B1	265
<b>WIRING INSTL-CHASSIS</b>			
SHEET:	ITEM/PART NO.:	REV	
2 OF 4	000200927 / 30128301000		

8 7 6 5 4 3 2 1 12-Jan-2018

1 CIRCUIT BREAKER-30 AMP  
93655-02-000 (3)  
SCREW  
G52-06-05U (3)  
SPACER-CIRCUIT BREAKER  
141789-01-000 (3)

LABEL-CIRCUIT BREAKER  
93236-77-000

PLUG-PLASTIC  
81211-06-000 (6)



BATTERY MODE SOLENOID AND DISCONNECT RELAY LOCATED INSIDE

CIRCUIT BREAKER-30 AMP  
93655-02-000  
SCREW  
G52-06-05U  
SPACER-CIRCUIT BREAKER  
141789-01-000

CIRCUIT BREAKER-15 AMP  
93654-02-000 (2)  
SCREW  
G52-06-05U  
SPACER-CIRCUIT BREAKER  
141789-01-000 (2)

DETAIL CA

CIRCUIT BREAKER-55 AMP  
113482-01-000 (3)

RELAY  
63912-02-000  
(CHASSIS BATTERY  
DISCONNECT LOCKOUT)  
PLUG INTO WIRE ASM-CHASSIS

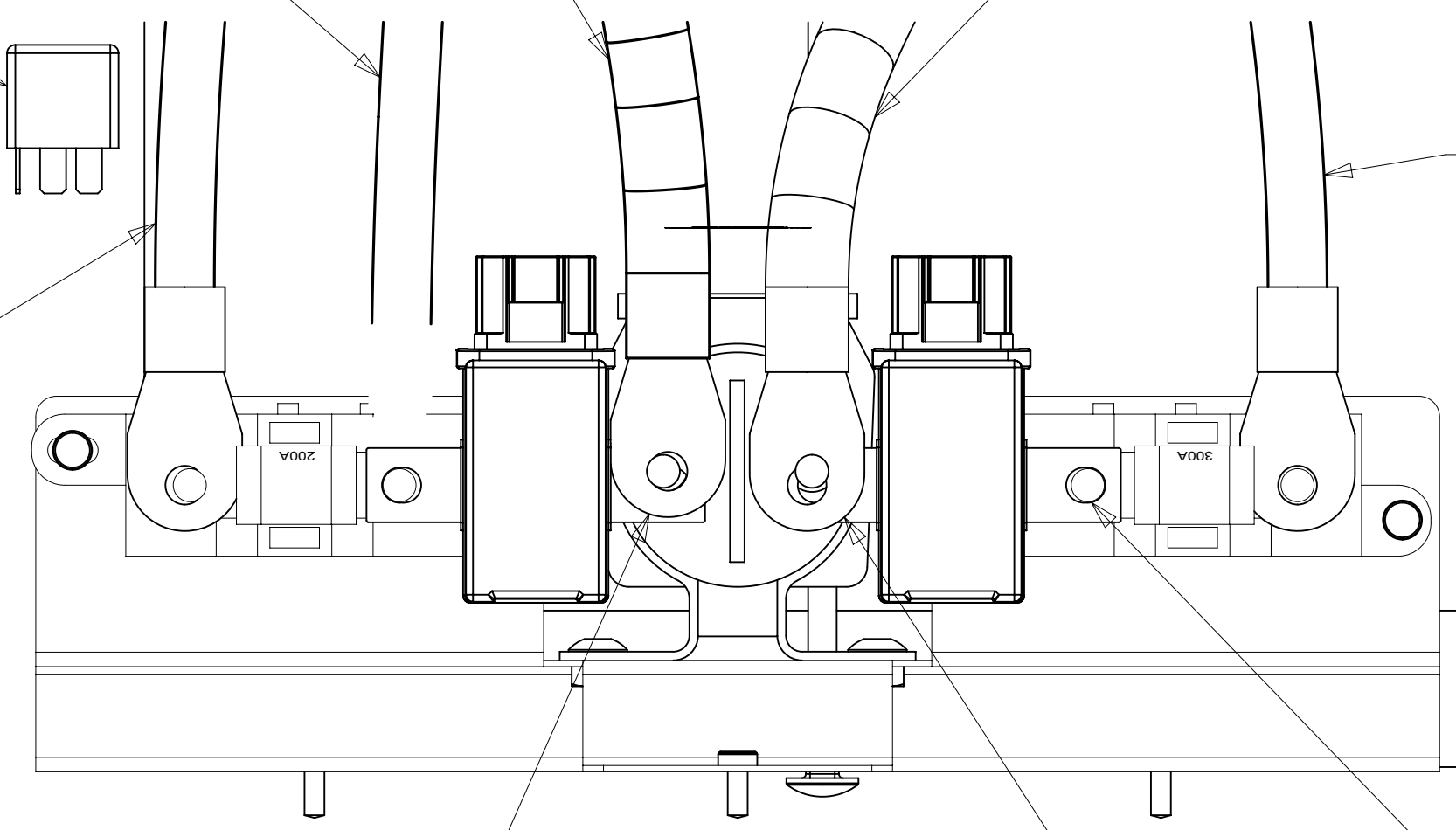
CABLE ASM (RED)  
FROM CHASSIS BATTERY  
TO CHASSIS SIDE OF  
AUX START SOLENOID

CABLE ASM (BLK)  
FROM CHASSIS  
BATTERY DISCONNECT  
TO CHASSIS  
FUSE BLOCK

CABLE ASM (YEL)  
FROM STUD JUMP START  
TO COACH SIDE OF  
AUX START SOLENOID

CABLE ASM (GRN)  
FROM COACH BATTERY  
DISCONNECT RELAY  
TO PASS THRU STUD  
IN FRONT LEFT COMPT

CABLE ASM (BLU)  
TO LEVELING PUMP



FEED-1  
(CHASSIS)

VIEW CB

FEED-2  
(COACH)

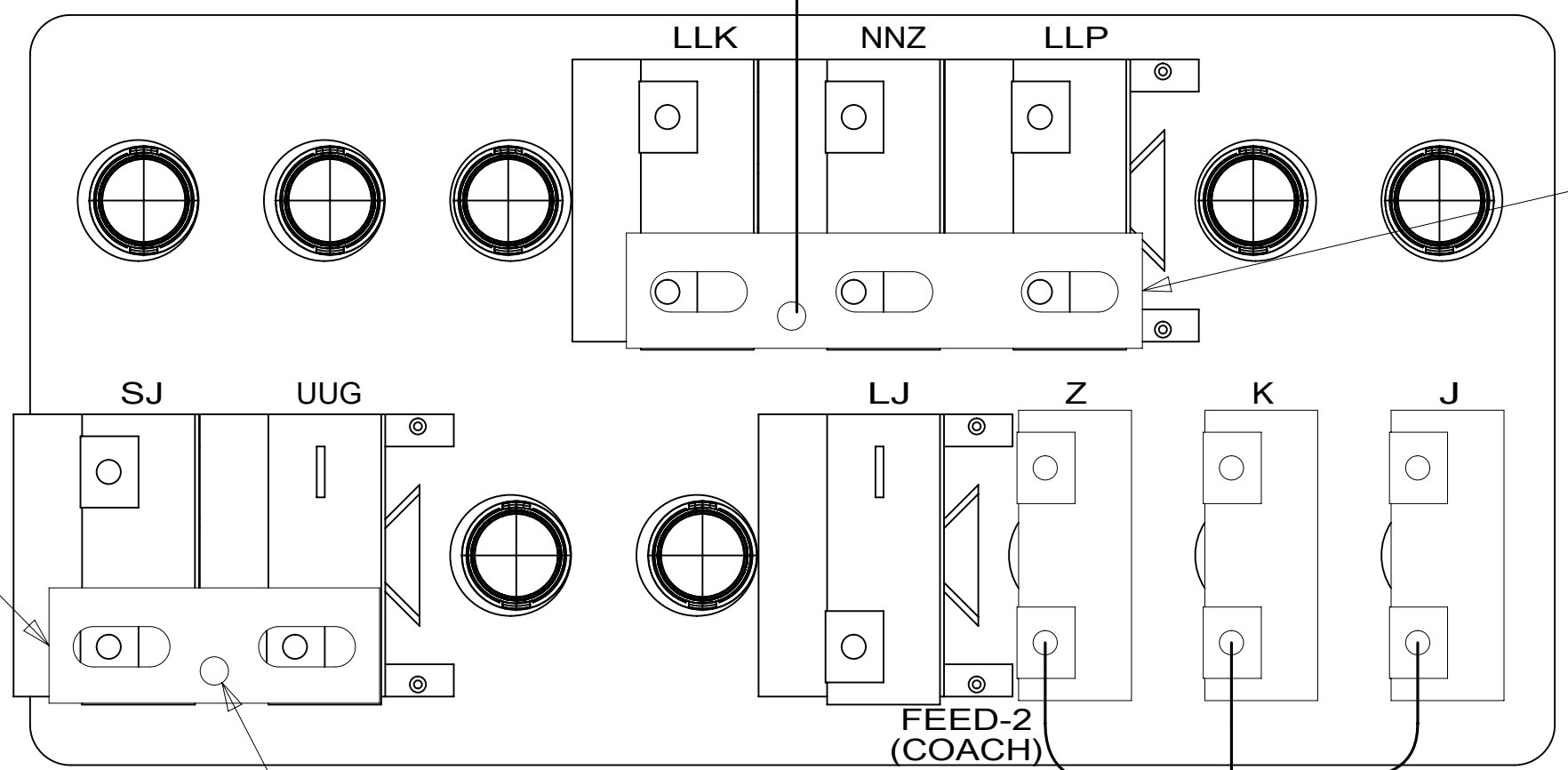
CONNECT COACH  
BREAKER FEED HERE

TO  
CHASSIS BATTERY  
DISCONNECT

CABLE ASM-6 GA  
140228-01-006

BUSS BAR  
141744-02-000

BUSS BAR  
141744-01-000



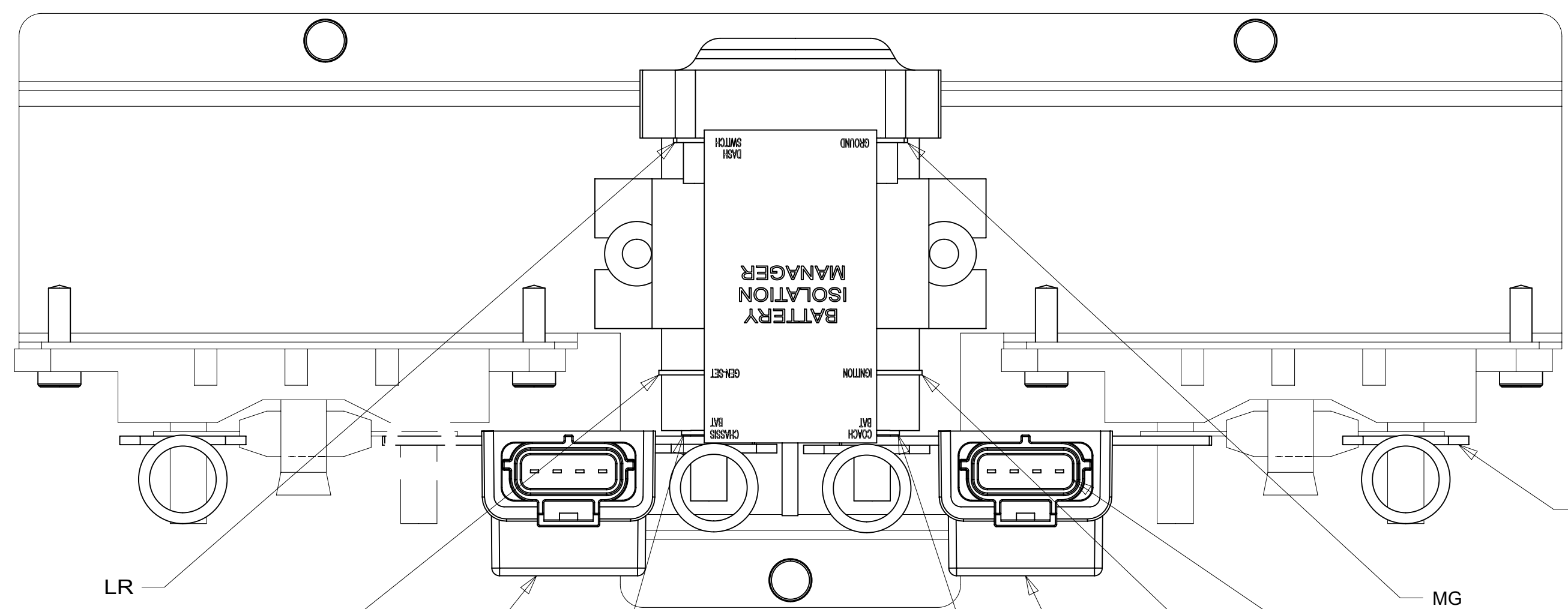
FEED-1  
(CHASSIS)

FEED-2  
(COACH)

WIRE ASM-BREAKERS  
176775-02-009

FROM  
DISCONNECTED  
SIDE OF COACH  
DISCONNECT  
DETAIL CB

DETAIL CA  
(BACK VIEW-COMPONENTS)



LR

LP

CHASSIS DISCONNECT

FEED-1  
(CHASSIS)

DETAIL CC

MG

CONNECTOR WITH  
YELLOW TAPE FROM  
WIRE ASM-CHASSIS

JJZ

COACH DISCONNECT

FEED-2  
(COACH)

1 REPLACE EXISTING SCREW TO PROPERLY ATTACH  
BREAKER TO BUSS BAR.

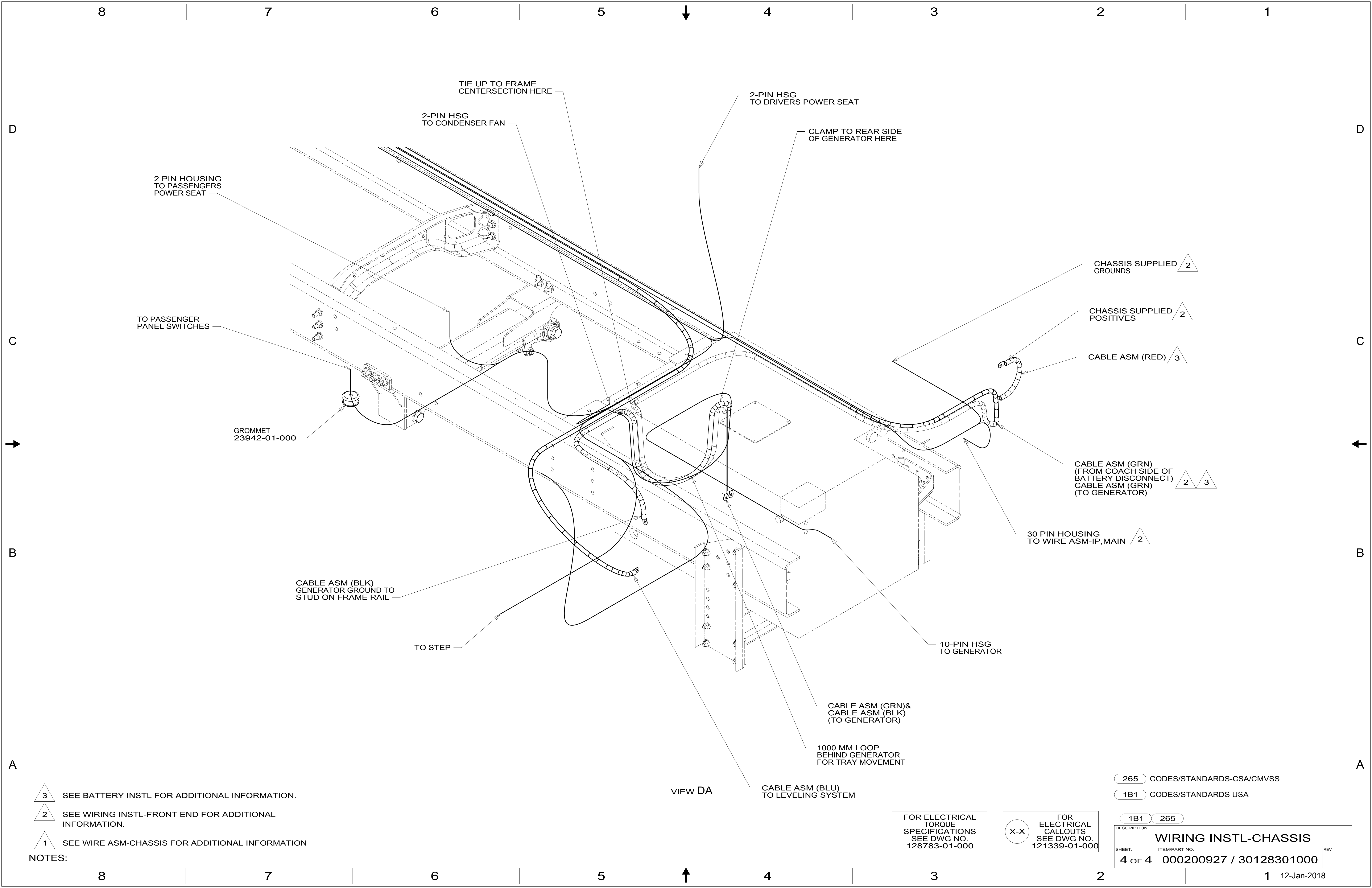
NOTES:

FOR ELECTRICAL  
TORQUE  
SPECIFICATIONS  
SEE DWG NO.  
128783-01-000

FOR  
ELECTRICAL  
CALLOUTS  
SEE DWG NO.  
121339-01-000

265 CODES/STANDARDS-CSA/CMVSS  
1B1 CODES/STANDARDS USA

DESCRIPTION:	1B1 265	
<b>WIRING INSTL-CHASSIS</b>		
SHEET:	ITEM/PART NO:	REV
3 OF 4	000200927 / 30128301000	



- 3 SEE BATTERY INSTL FOR ADDITIONAL INFORMATION.
- 2 SEE WIRING INSTL-FRONT END FOR ADDITIONAL INFORMATION.
- 1 SEE WIRE ASM-CHASSIS FOR ADDITIONAL INFORMATION

NOTES:

FOR ELECTRICAL TORQUE SPECIFICATIONS SEE DWG NO. 128783-01-000

FOR ELECTRICAL CALLOUTS SEE DWG NO. 121339-01-000

265 CODES/STANDARDS-CSA/CMVSS  
 1B1 CODES/STANDARDS USA

DESCRIPTION: <b>WIRING INSTL-CHASSIS</b>	
SHEET: <b>4 OF 4</b>	ITEM/PART NO: <b>000200927 / 30128301000</b>
REV	